



US00D731620S

(12) **United States Design Patent**
Galle et al.

(10) **Patent No.:** **US D731,620 S**
(45) **Date of Patent:** **** Jun. 9, 2015**

(54) **FLUID MANIFOLD**

(71) Applicants: **Keith L. Galle**, Mount Prospect, IL
(US); **Michael B. Strozewski**, Chicago,
IL (US)

(72) Inventors: **Keith L. Galle**, Mount Prospect, IL
(US); **Michael B. Strozewski**, Chicago,
IL (US)

(73) Assignee: **Siemens Industry, Inc.**, Alpharetta, GA
(US)

(**) Term: **14 Years**

(21) Appl. No.: **29/443,677**

(22) Filed: **Jan. 21, 2013**

(51) **LOC (10) Cl.** **23-01**

(52) **U.S. Cl.**
USPC **D23/233**

(58) **Field of Classification Search**
USPC D23/233–237, 244–249; D15/1–5, 143;
137/15.04–15.08, 884, 597, 861, 266,
137/837, 872, 885; 123/184.21, 184.31,
123/184.47, 184.61, 470, 542, 574
CPC . F02M 35/104; F02M 35/112; F02M 25/038;
F02M 35/10209; F02M 35/1227

See application file for complete search history.

(56) **References Cited**

U.S. PATENT DOCUMENTS

3,654,960	A *	4/1972	Kiernan	137/884
6,009,758	A *	1/2000	Petrich et al.	73/756
D519,189	S *	4/2006	Nimberger	D23/233
D521,596	S *	5/2006	Nimberger	D23/233
D521,597	S *	5/2006	Nimberger	D23/233
D530,730	S *	10/2006	Sato et al.	D15/143
D544,499	S *	6/2007	Nimberger	D15/5
D578,549	S *	10/2008	Nimberger	D15/5
D583,832	S *	12/2008	Nimberger	D15/5
8,307,854	B1 *	11/2012	Vu	137/884
8,322,380	B2 *	12/2012	Taskar	137/884

* cited by examiner

Primary Examiner — Cynthia Ramirez
Assistant Examiner — Gino Colan

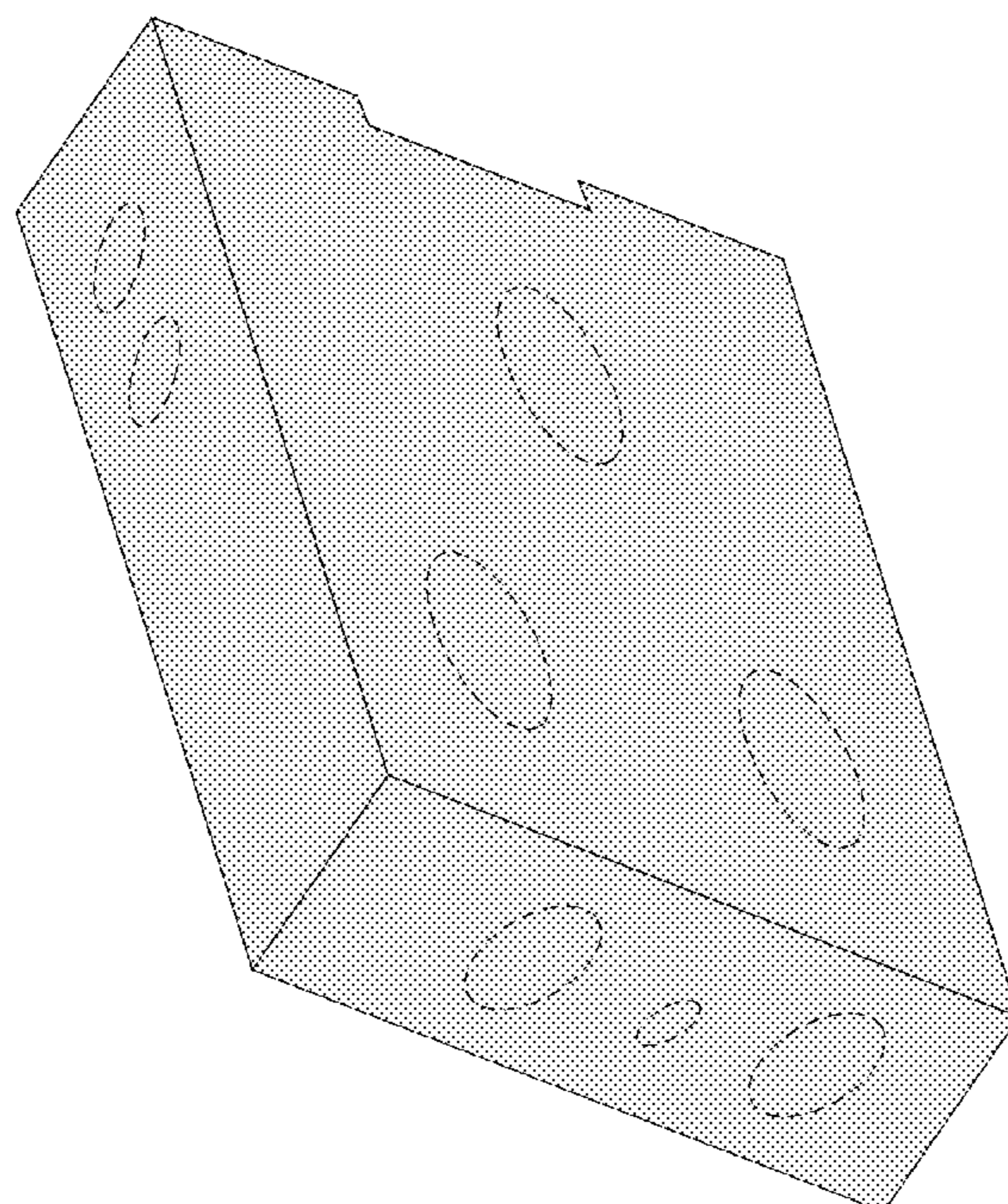
(57) **CLAIM**

I claim the ornamental design for fluid manifold, as shown and described.

DESCRIPTION

FIG. 1 is an enlarged perspective view of the fluid manifold showing our new design;
FIG. 2 is a rear edge view thereof;
FIG. 3 is a right edge view thereof;
FIG. 4 is a front edge view thereof;
FIG. 5 is a left edge view thereof;
FIG. 6 is a bottom view thereof; and,
FIG. 7 is a top view thereof.
The broken lines in the drawings are included for the purpose of illustrating elements of the fluid manifold and form no part of the claimed design.

1 Claim, 3 Drawing Sheets



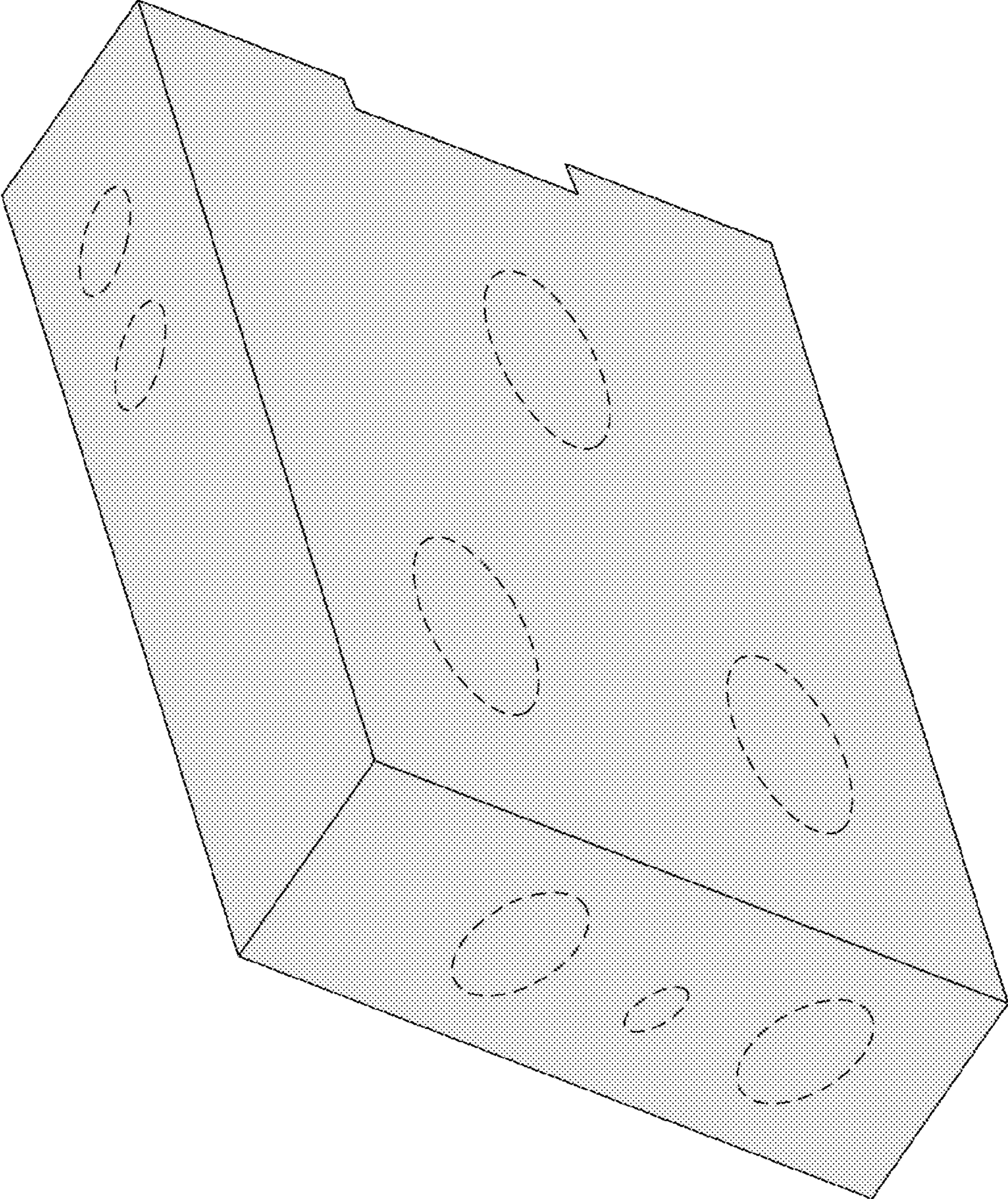


FIG. 1



FIG. 2

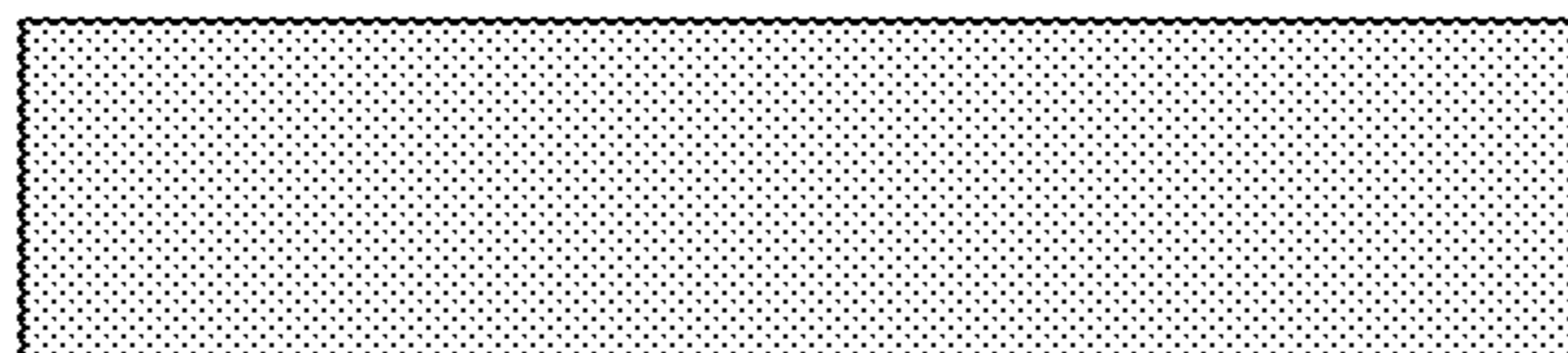


FIG. 3

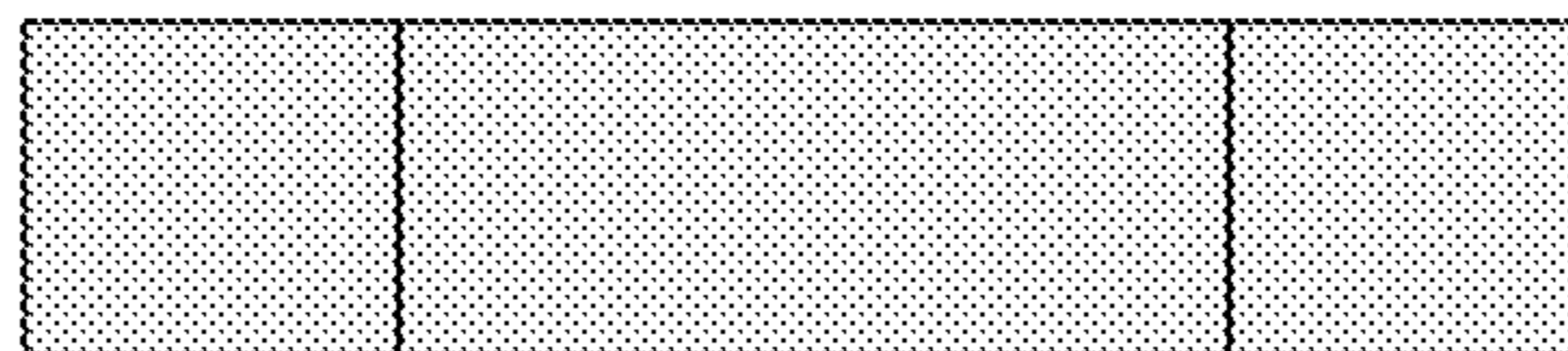


FIG. 4

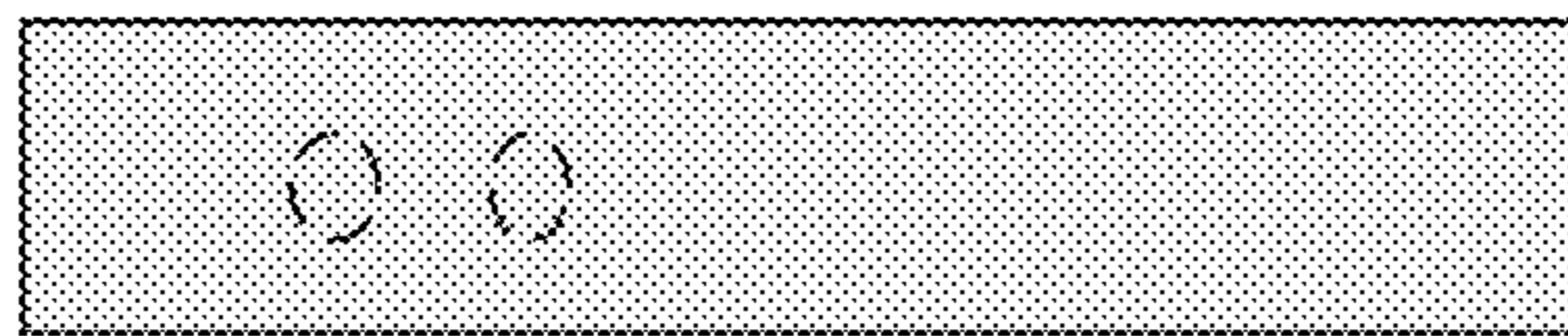


FIG. 5

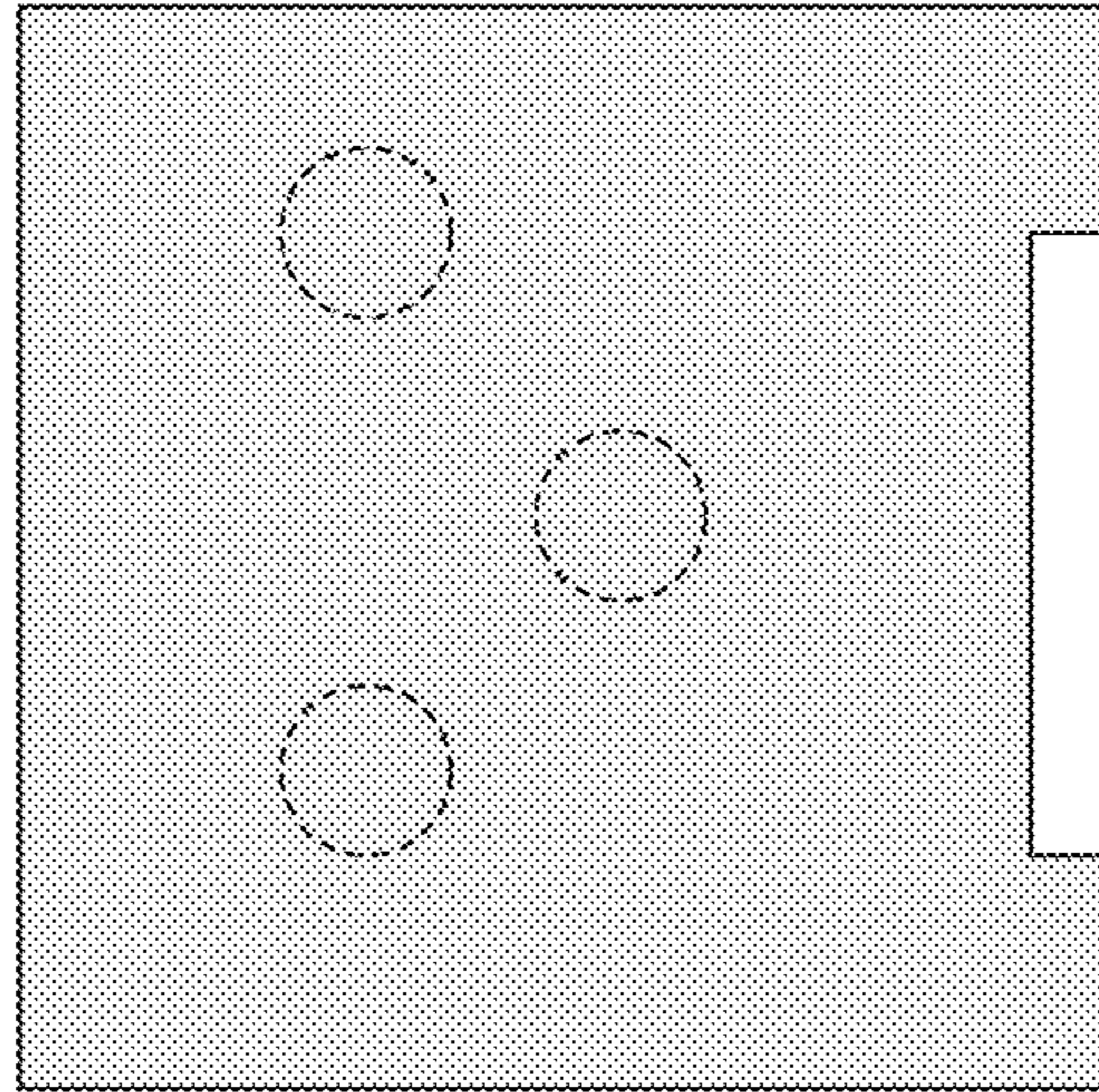


FIG. 6

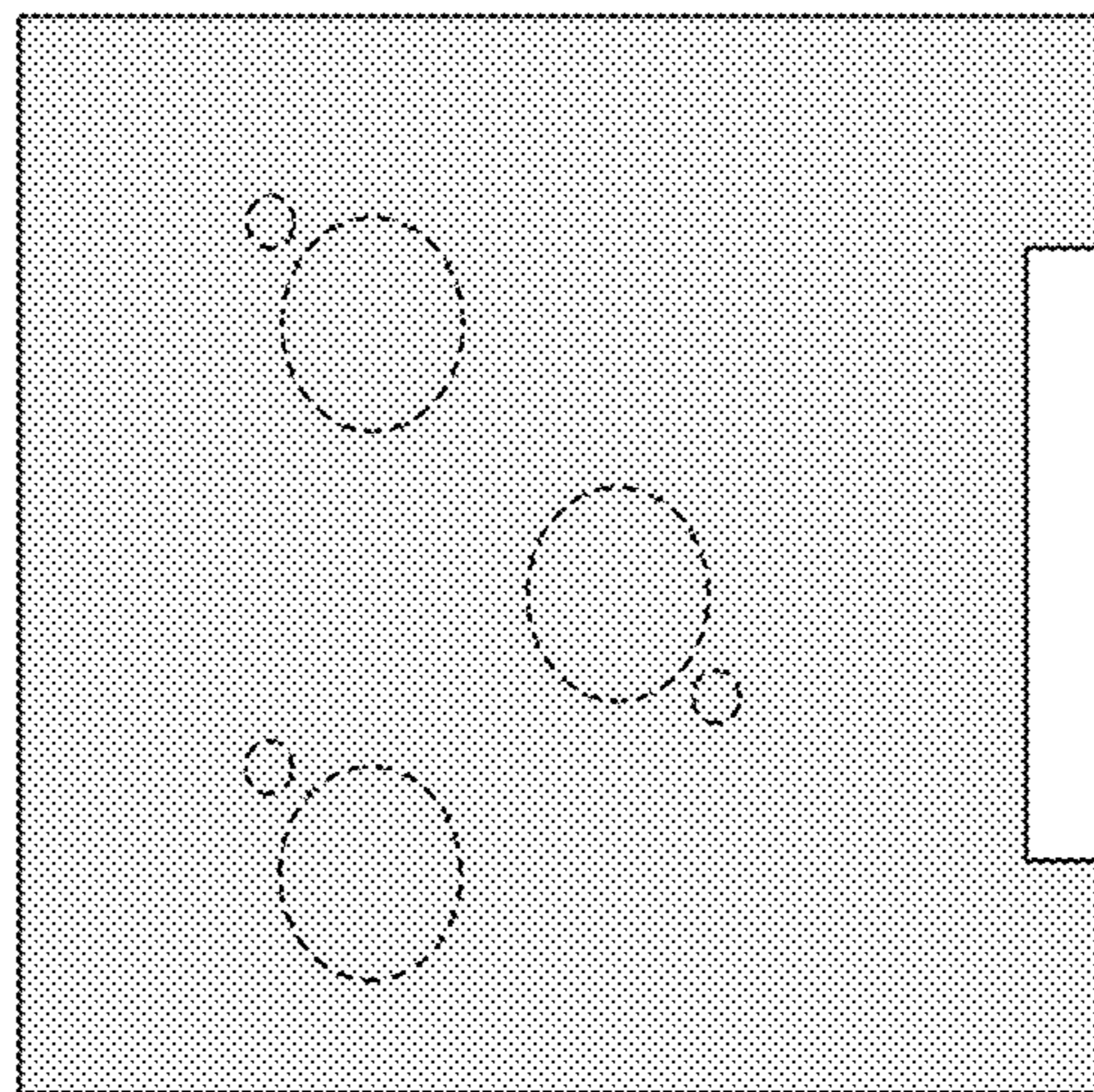


FIG. 7