



US00D731619S

(12) **United States Design Patent**
Smith et al.

(10) **Patent No.:** **US D731,619 S**
(45) **Date of Patent:** **** Jun. 9, 2015**

(54) **FILTER HOUSING**

(71) Applicant: **GE HEALTHCARE UK LIMITED,**
Little Chalfont (GB)

(72) Inventors: **Michael John Smith,** Cardiff (GB);
Aidan Paul Vaughan, Cardiff (GB);
Christopher Burrows, Cardiff (GB)

(73) Assignee: **GE Healthcare UK Limited,**
Buckinghamshire (GB)

(**) Term: **14 Years**

(21) Appl. No.: **29/490,423**

(22) Filed: **May 9, 2014**

(30) **Foreign Application Priority Data**

Nov. 18, 2013 (GB) 4032863

(51) **LOC (10) Cl.** **23-01**

(52) **U.S. Cl.**
USPC **D23/209**

(58) **Field of Classification Search**
USPC D23/207, 209; 210/232, 282, 241, 435,
210/444, 464, 266; D24/162
See application file for complete search history.

(56) **References Cited**

U.S. PATENT DOCUMENTS

D247,248 S * 2/1978 Durot D23/207
D318,094 S * 7/1991 Sherman D23/209

5,798,041 A * 8/1998 Zuk, Jr. 210/456
D410,064 S * 5/1999 Hunter et al. D23/209
D555,226 S * 11/2007 Leavitt et al. D23/209
7,510,088 B2 * 3/2009 Smith et al. 210/456

* cited by examiner

Primary Examiner — Robin V Webster

(74) *Attorney, Agent, or Firm* — Sutherland Asbill &
Brennan LLP

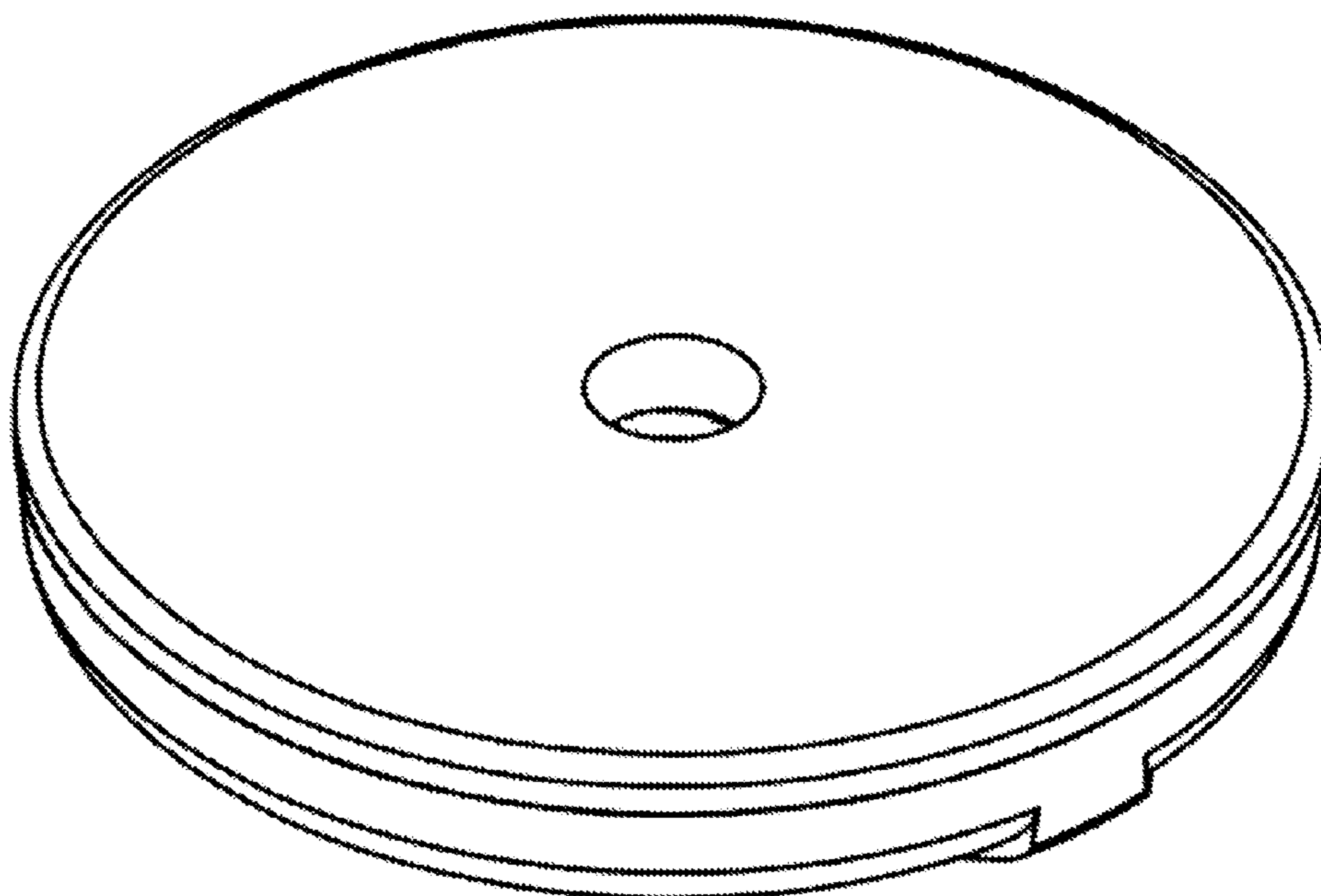
(57) **CLAIM**

The ornamental design for a filter housing, as shown and described.

DESCRIPTION

FIG. 1 is a view from above and left showing the filter housing according to the design;
FIG. 2 is a view from above and right of the design shown in FIG. 1;
FIG. 3 is a view from below and left of the design shown in FIG. 1;
FIG. 4 is a left side view of the design shown in FIG. 1;
FIG. 5 is a right side view of the design shown in FIG. 1;
FIG. 6 is a view from above of the design shown in FIG. 1; and,
FIG. 7 is a view from below of the design shown in FIG. 1.
A design for a disk shaped filter housing which comprises top and bottom complementary disk shaped cups, which fit together to house a filter (not visible). Each cup includes a generally central opening for fluid flow across the housed filter.

1 Claim, 7 Drawing Sheets



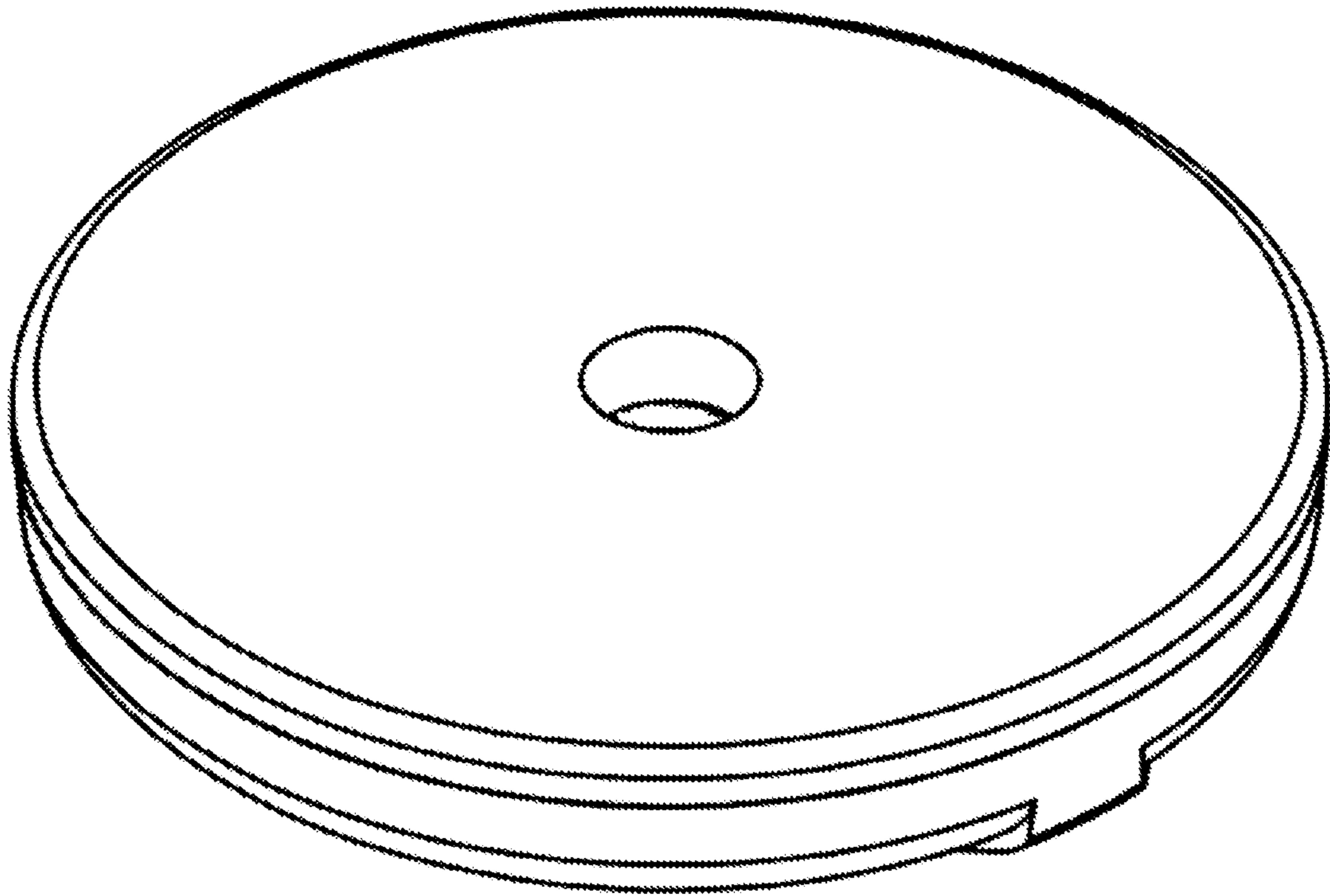


FIGURE 1

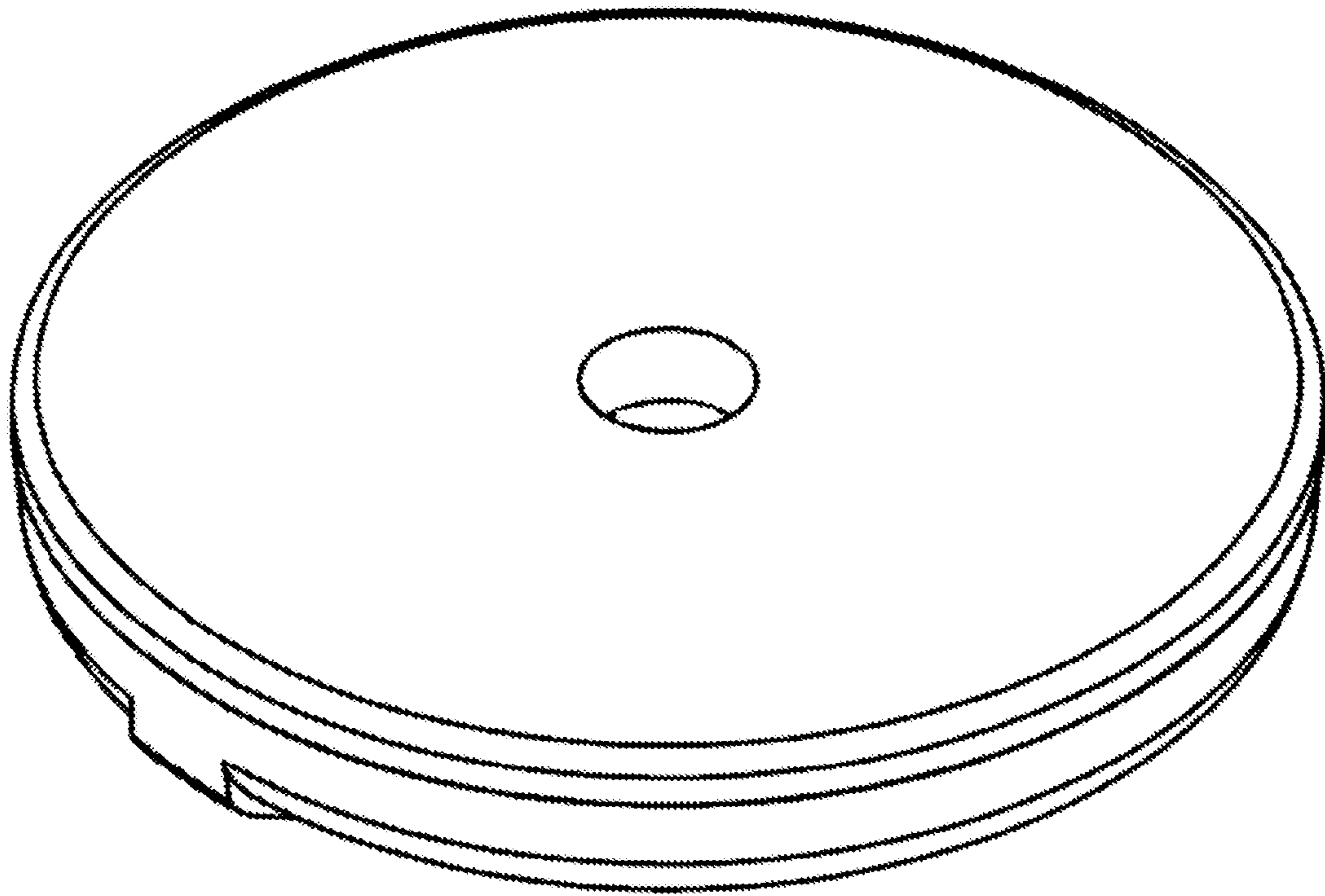


FIGURE 2

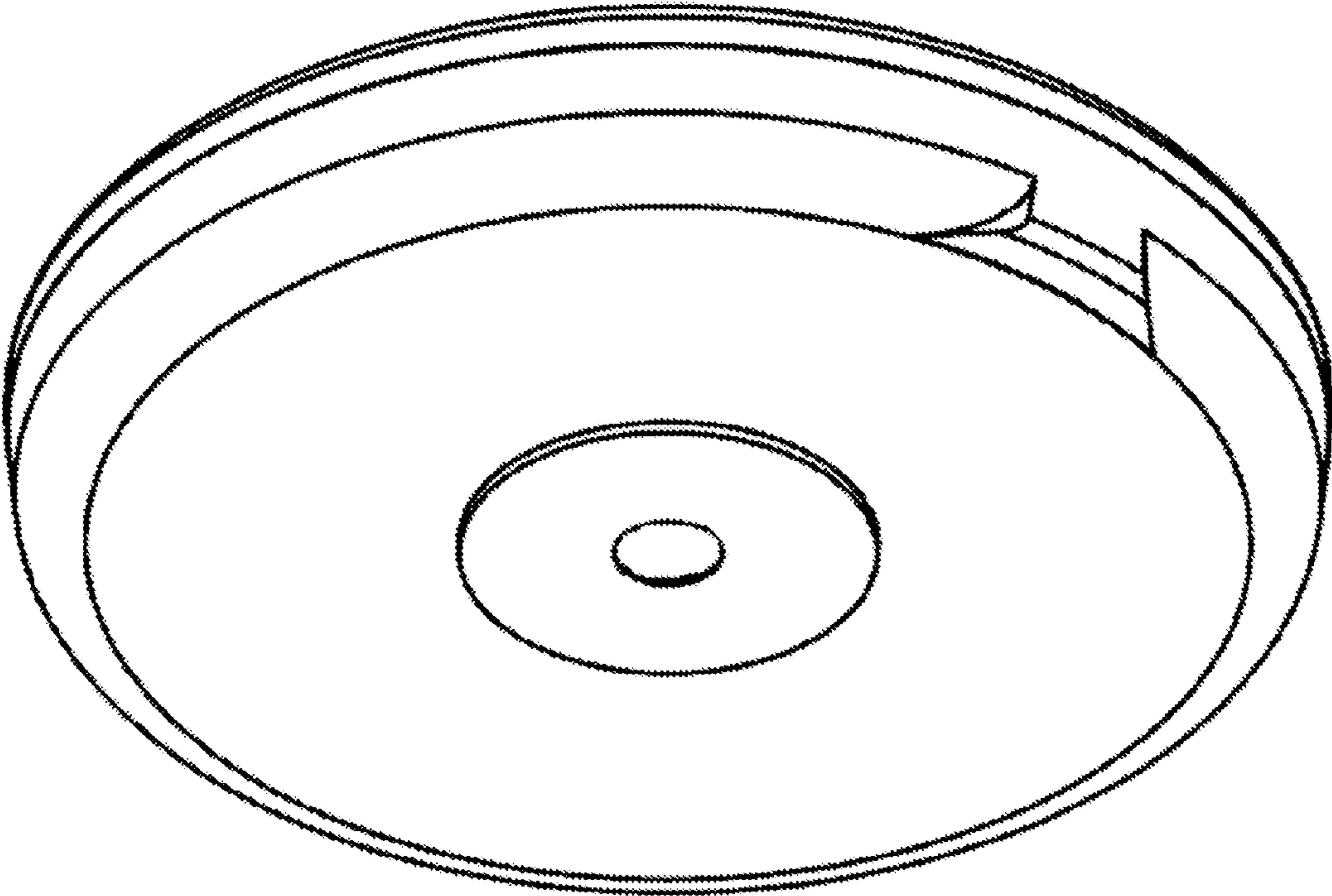


FIGURE 3



FIGURE 4



FIGURE 5

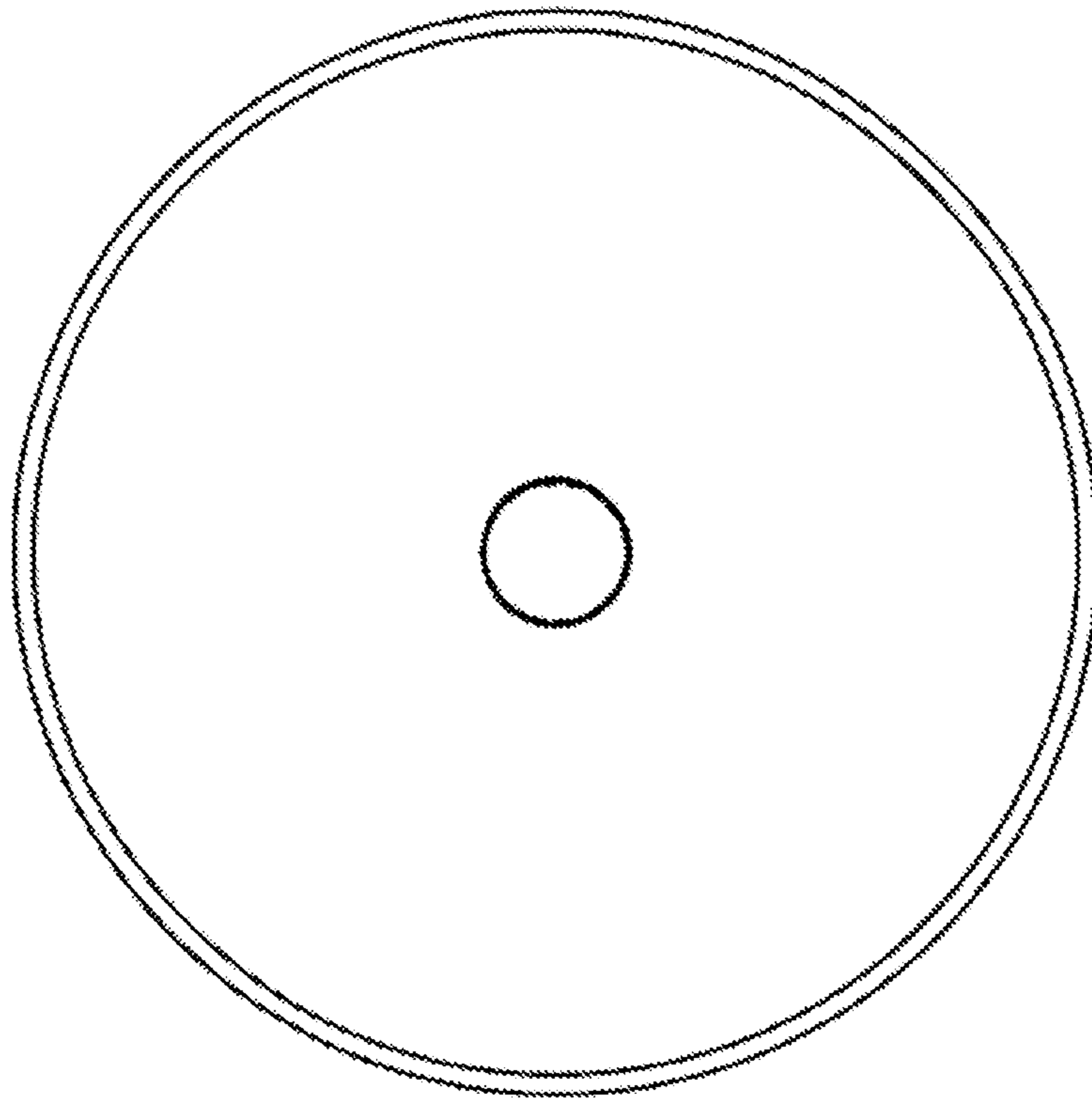


FIGURE 6

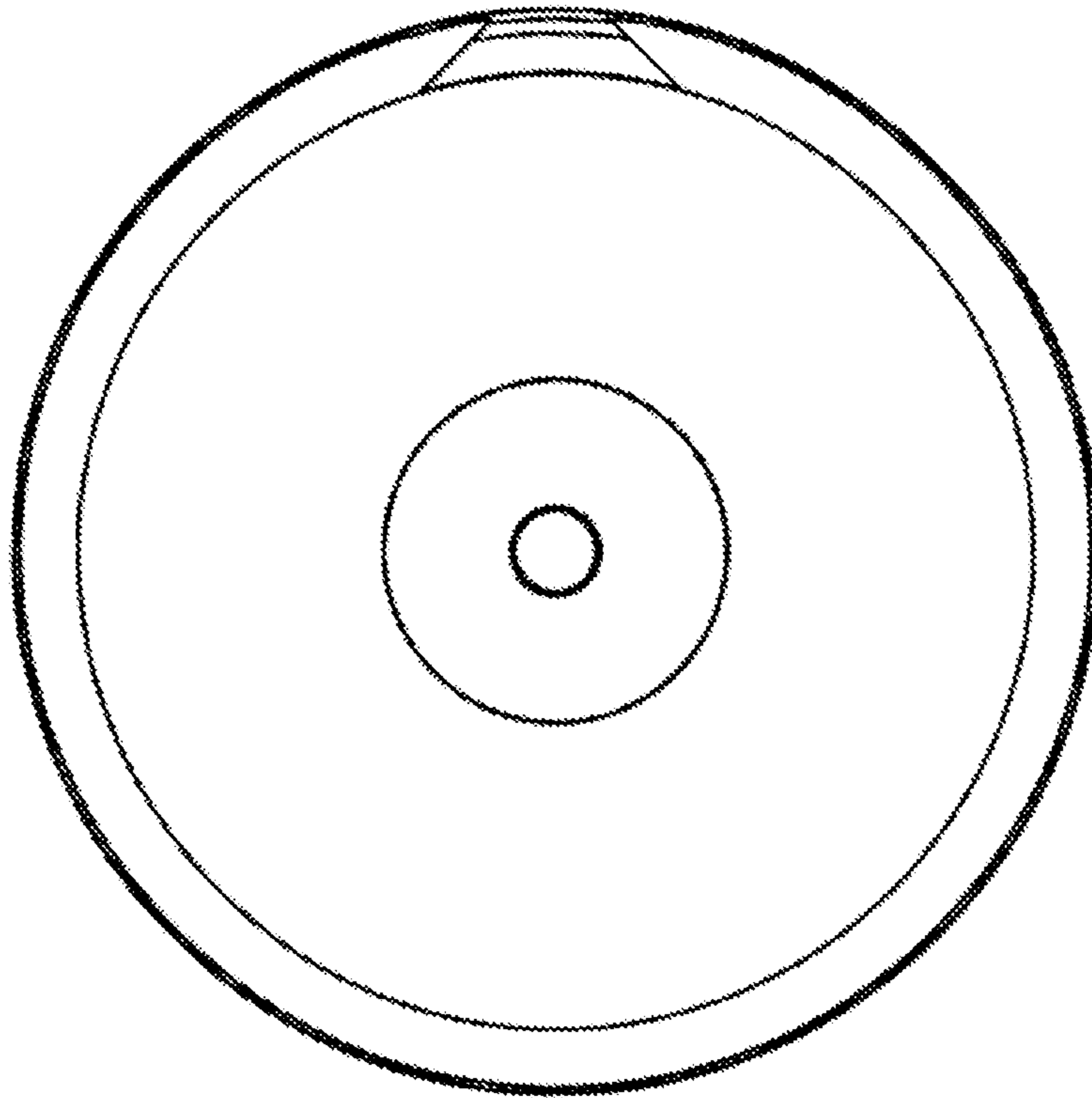


FIGURE 7