



US00D731615S

(12) **United States Design Patent**
Ambler et al.

(10) **Patent No.:** **US D731,615 S**
(45) **Date of Patent:** **** Jun. 9, 2015**

(54) **HOUSING FOR A WATER VAPOR
DISTILLATION APPARATUS**

(71) Applicants: **Paul R. Ambler**, Londonderry, NH
(US); **Michael S. Place**, Manchester, NH
(US); **David E. Collins**, Groveland, MA
(US)

(72) Inventors: **Paul R. Ambler**, Londonderry, NH
(US); **Michael S. Place**, Manchester, NH
(US); **David E. Collins**, Groveland, MA
(US)

(73) Assignee: **DEKA Products Limited Partnership**,
Manchester, NH (US)

(**) Term: **14 Years**

(21) Appl. No.: **29/492,677**

(22) Filed: **Jun. 2, 2014**

Related U.S. Application Data

(62) Division of application No. 29/428,272, filed on Jul.
27, 2012, now Pat. No. Des. 706,386.

(51) **LOC (10) Cl.** **23-01**

(52) **U.S. Cl.**
USPC **D23/207**

(58) **Field of Classification Search**
USPC D23/207, 209; 210/232, 282, 241, 435,
210/444, 464, 266

See application file for complete search history.

(56) **References Cited**

U.S. PATENT DOCUMENTS

D421,089	S	*	2/2000	Fujita et al.	D23/207
D437,384	S	*	2/2001	Fletcher et al.	D23/207
D482,754	S	*	11/2003	Rhinehart et al.	D23/207
D482,755	S	*	11/2003	Rhinehart et al.	D23/207
D530,388	S	*	10/2006	Fletcher	D23/207
D643,506	S	*	8/2011	Miles et al.	D23/207
D673,241	S	*	12/2012	Choi	D23/207
D682,387	S	*	5/2013	Tseng	D23/207
D695,877	S	*	12/2013	Geisen et al.	D23/207

* cited by examiner

Primary Examiner — Robin V Webster

(74) *Attorney, Agent, or Firm* — Michelle Saquet Temple

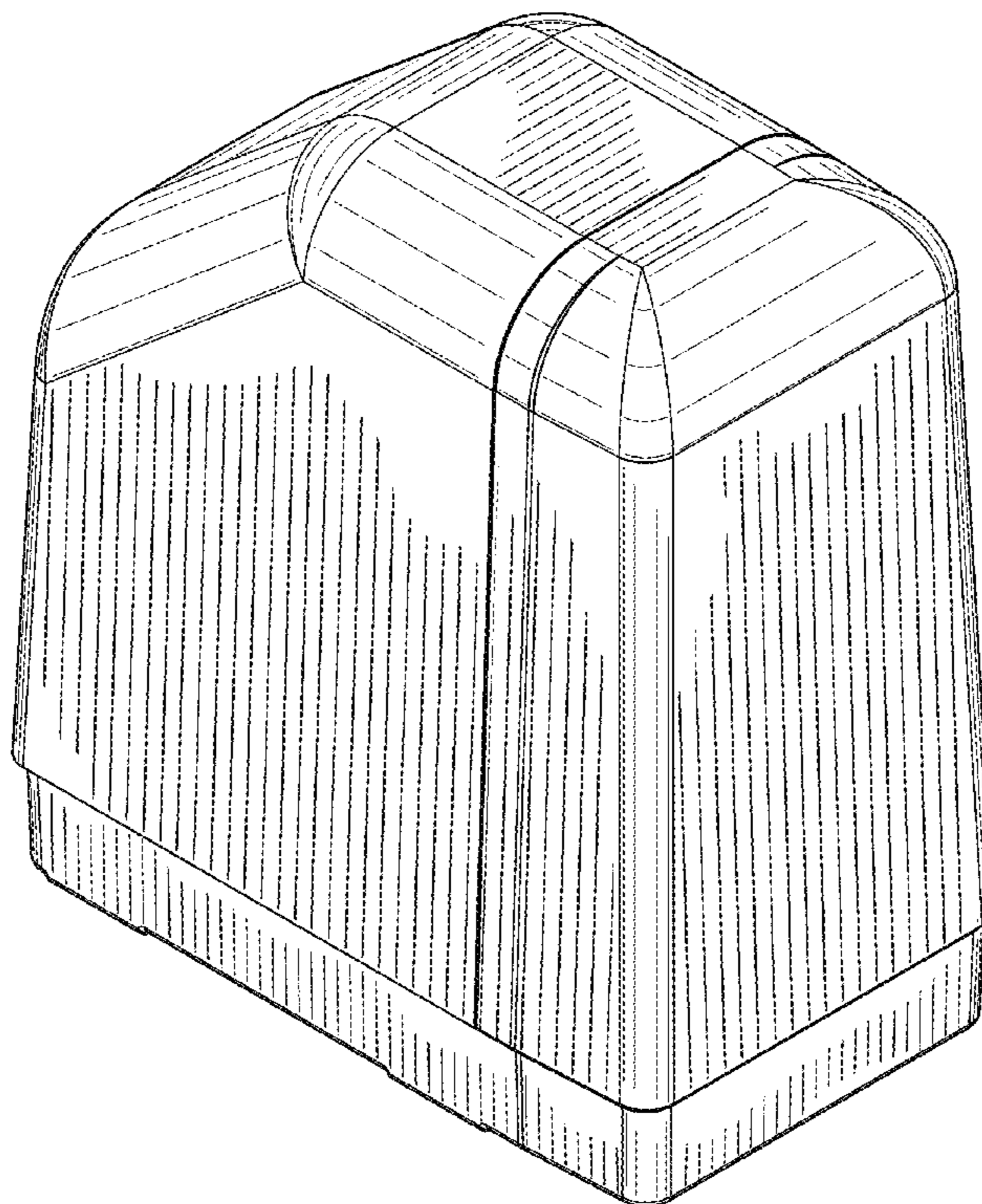
(57) **CLAIM**

The ornamental design for a housing for a water vapor distillation apparatus, as shown.

DESCRIPTION

FIG. 1 is a front-top perspective view of a housing for a water vapor distillation apparatus showing the claimed design; FIG. 2 is a back-top perspective view thereof; FIG. 3 is a right side view thereof; FIG. 4 is a front view thereof; FIG. 5 is a left side view thereof; FIG. 6 is a back view thereof; FIG. 7 is a top view thereof; and, FIG. 8 is a bottom view thereof.

1 Claim, 8 Drawing Sheets



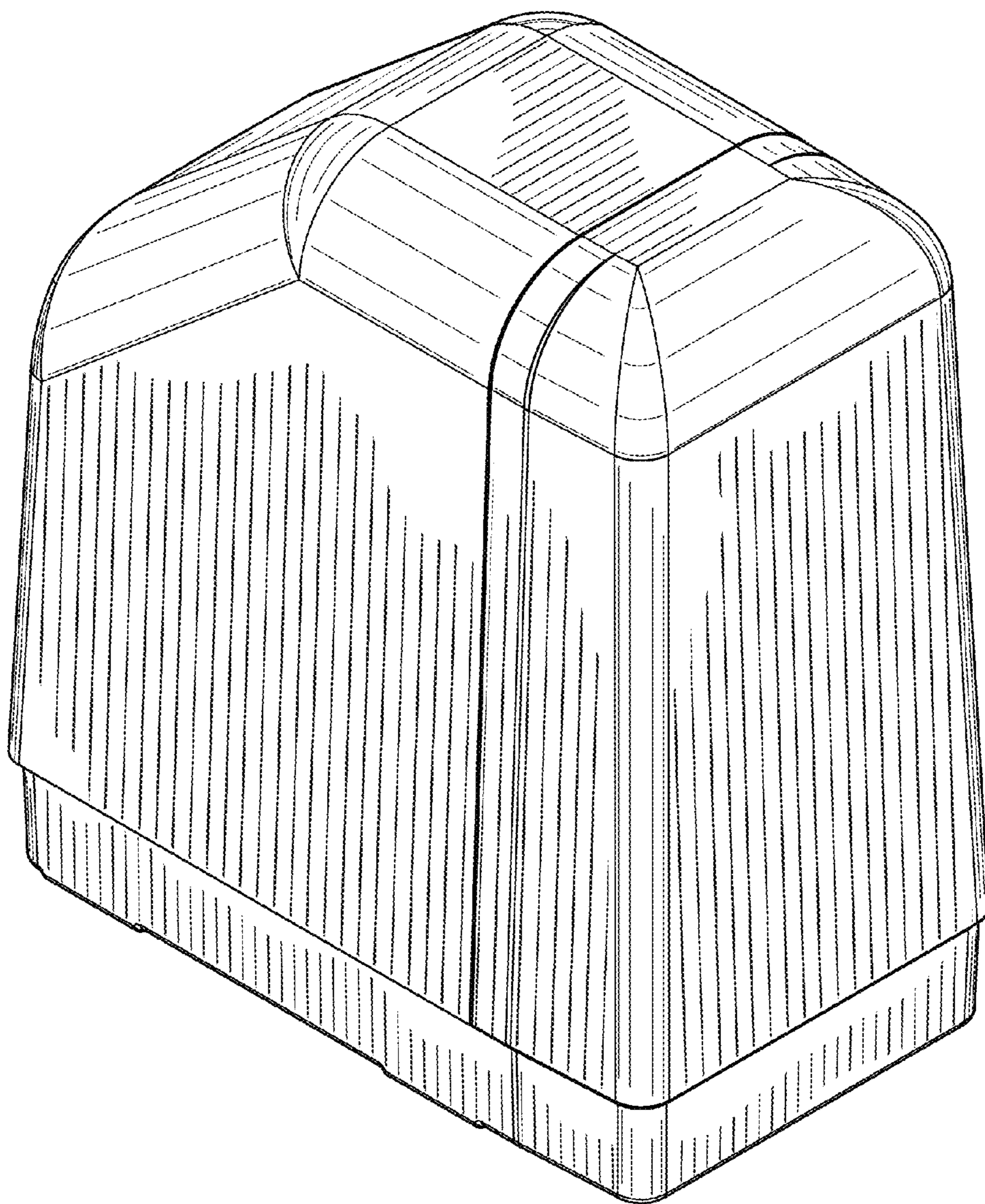


FIG. 1

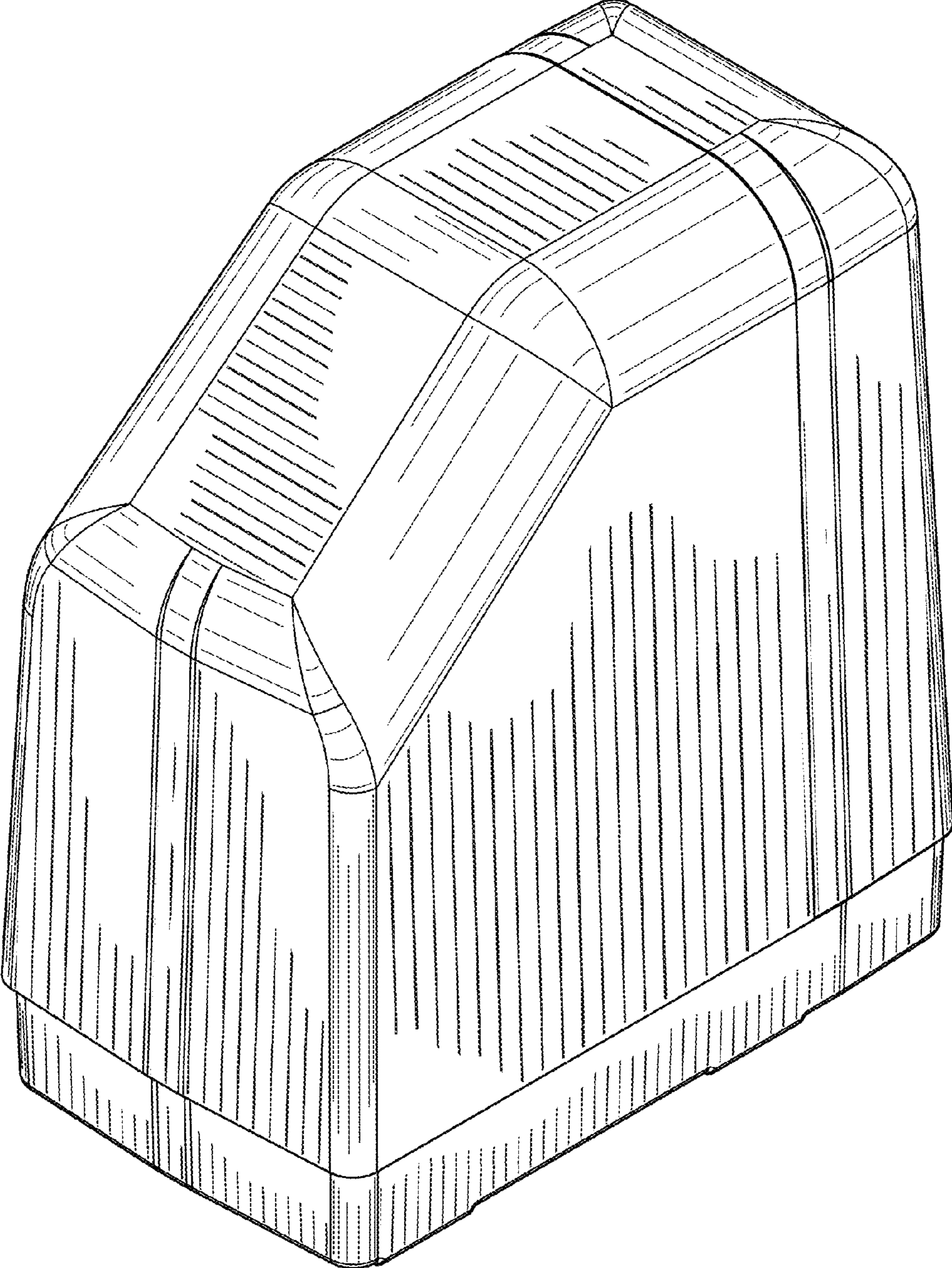


FIG. 2

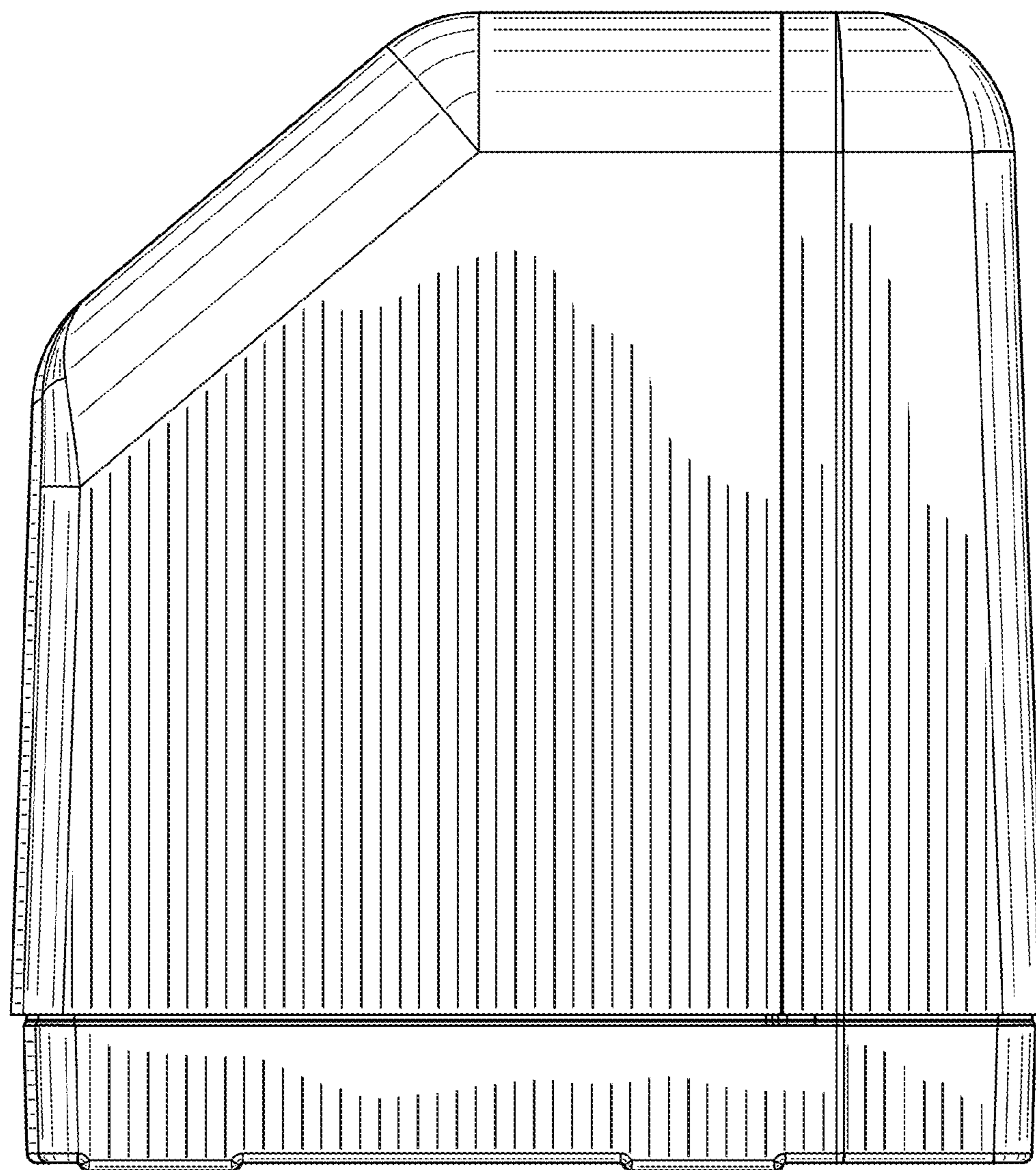


FIG. 3

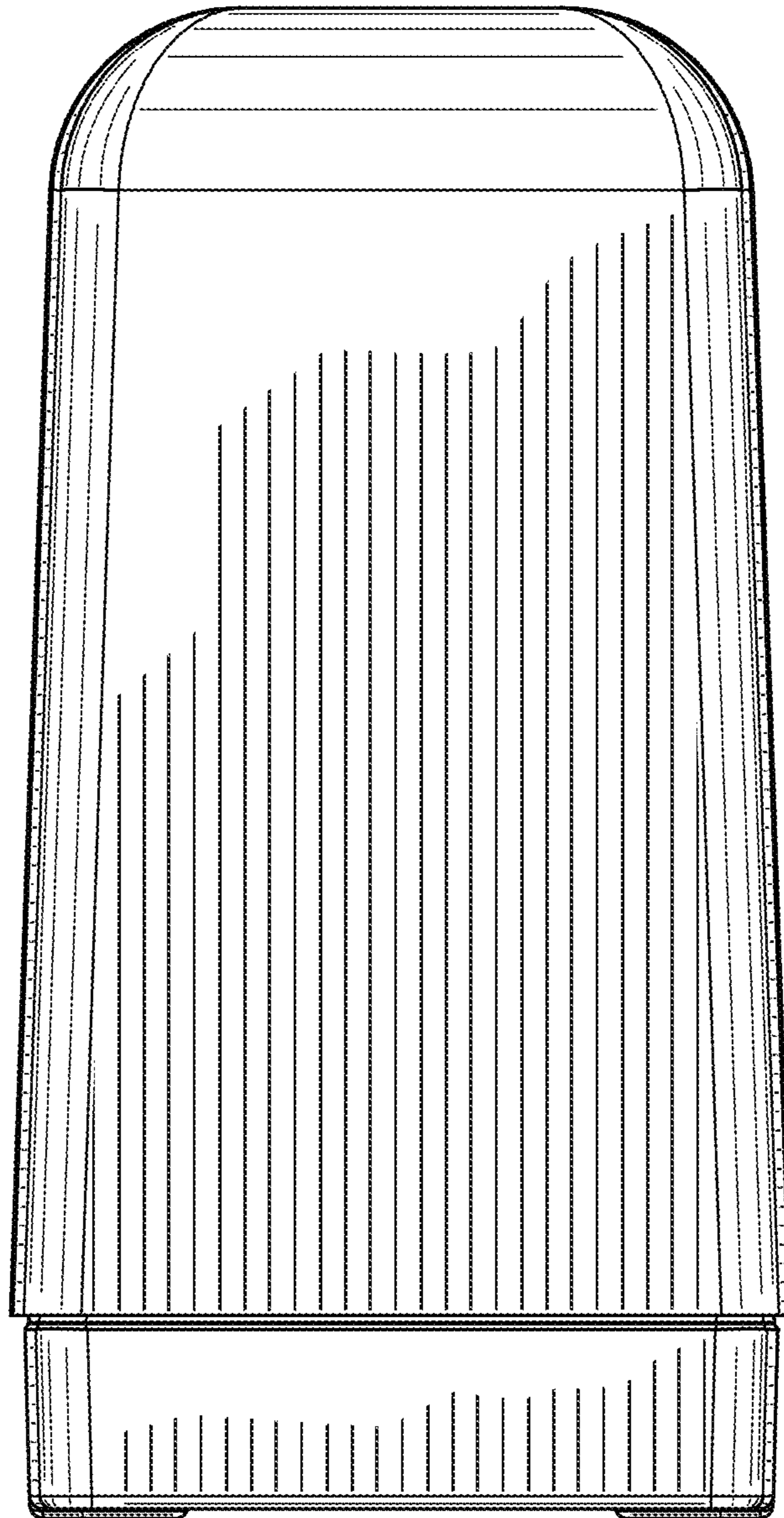


FIG. 4

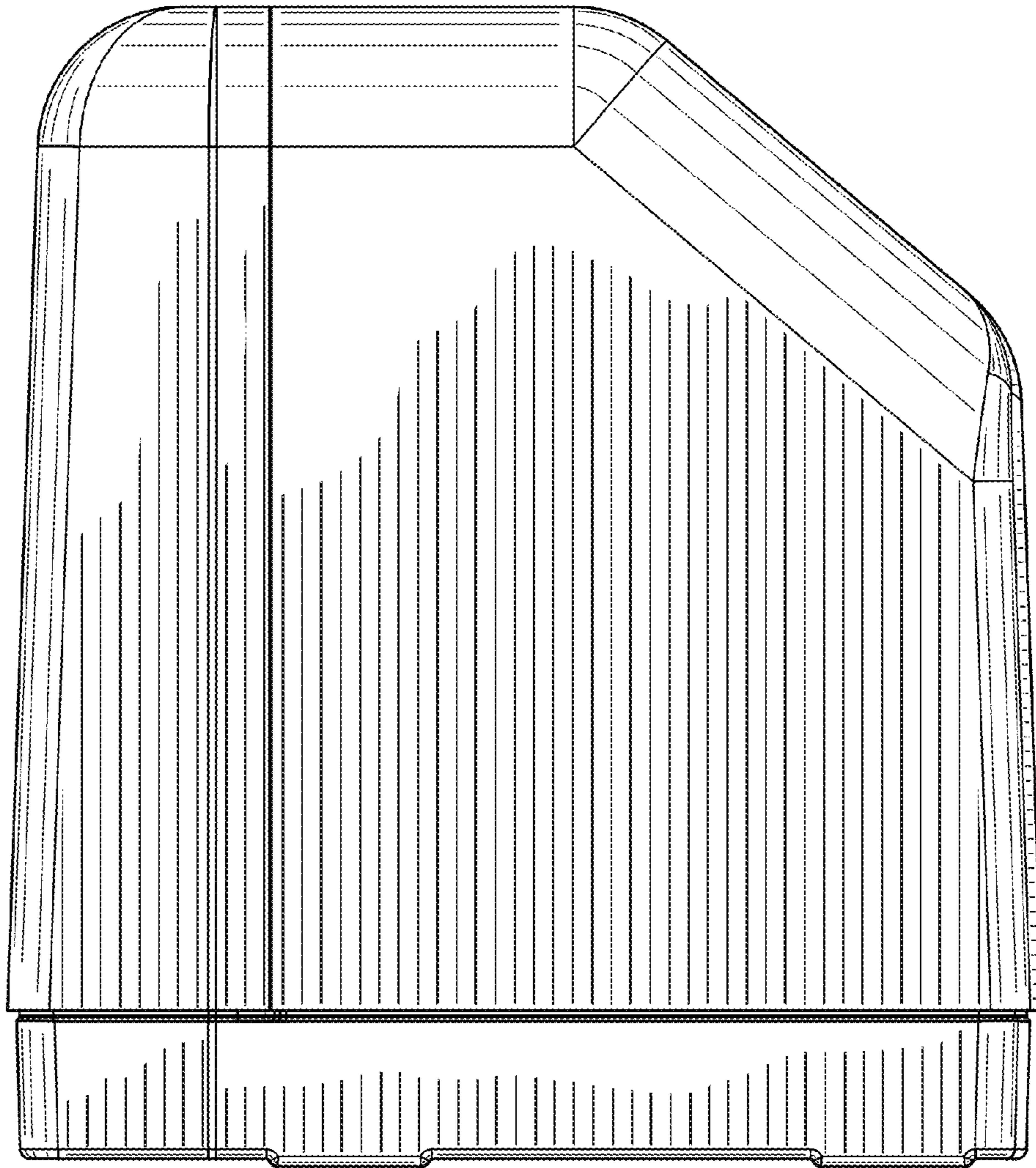


FIG. 5

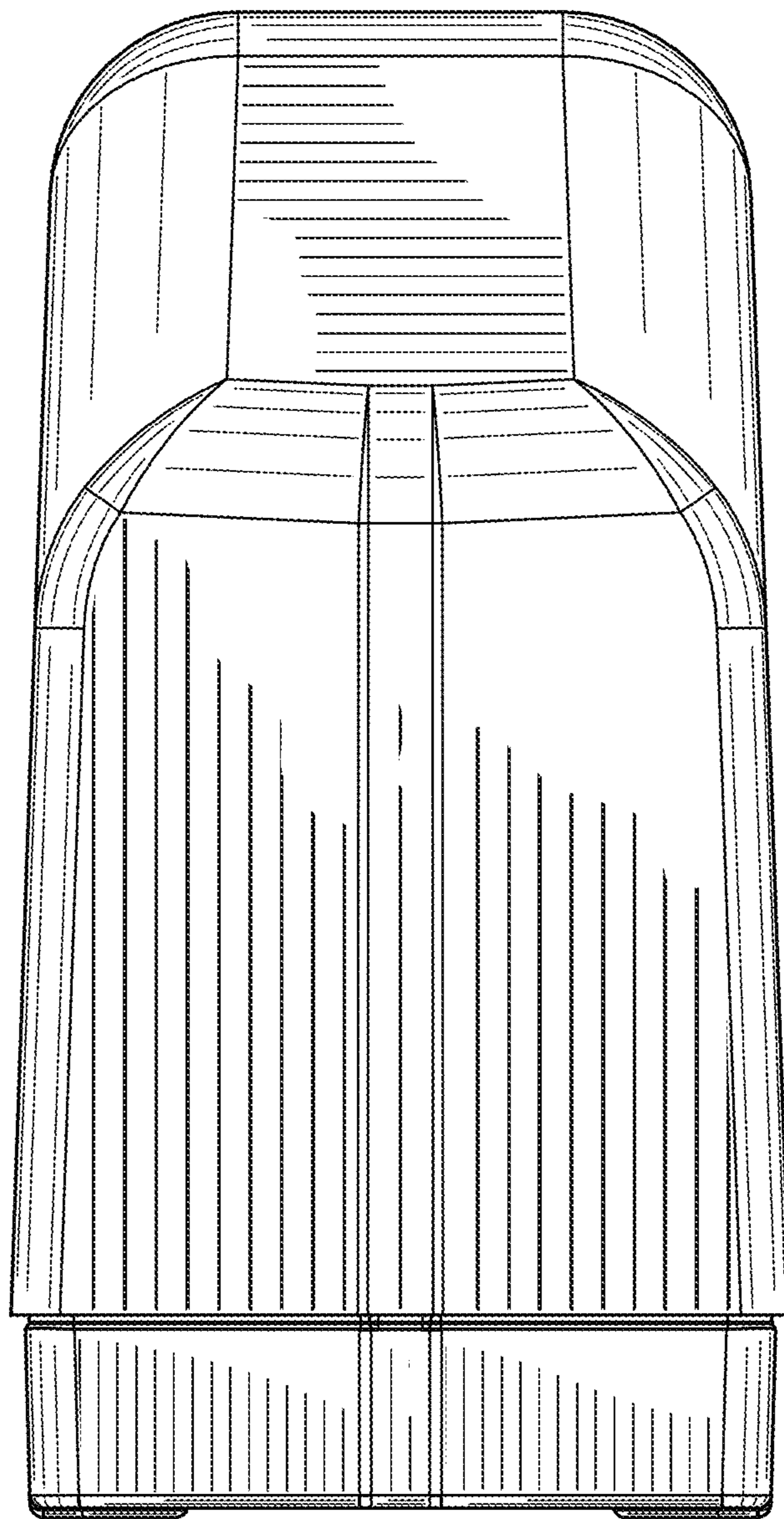


FIG. 6

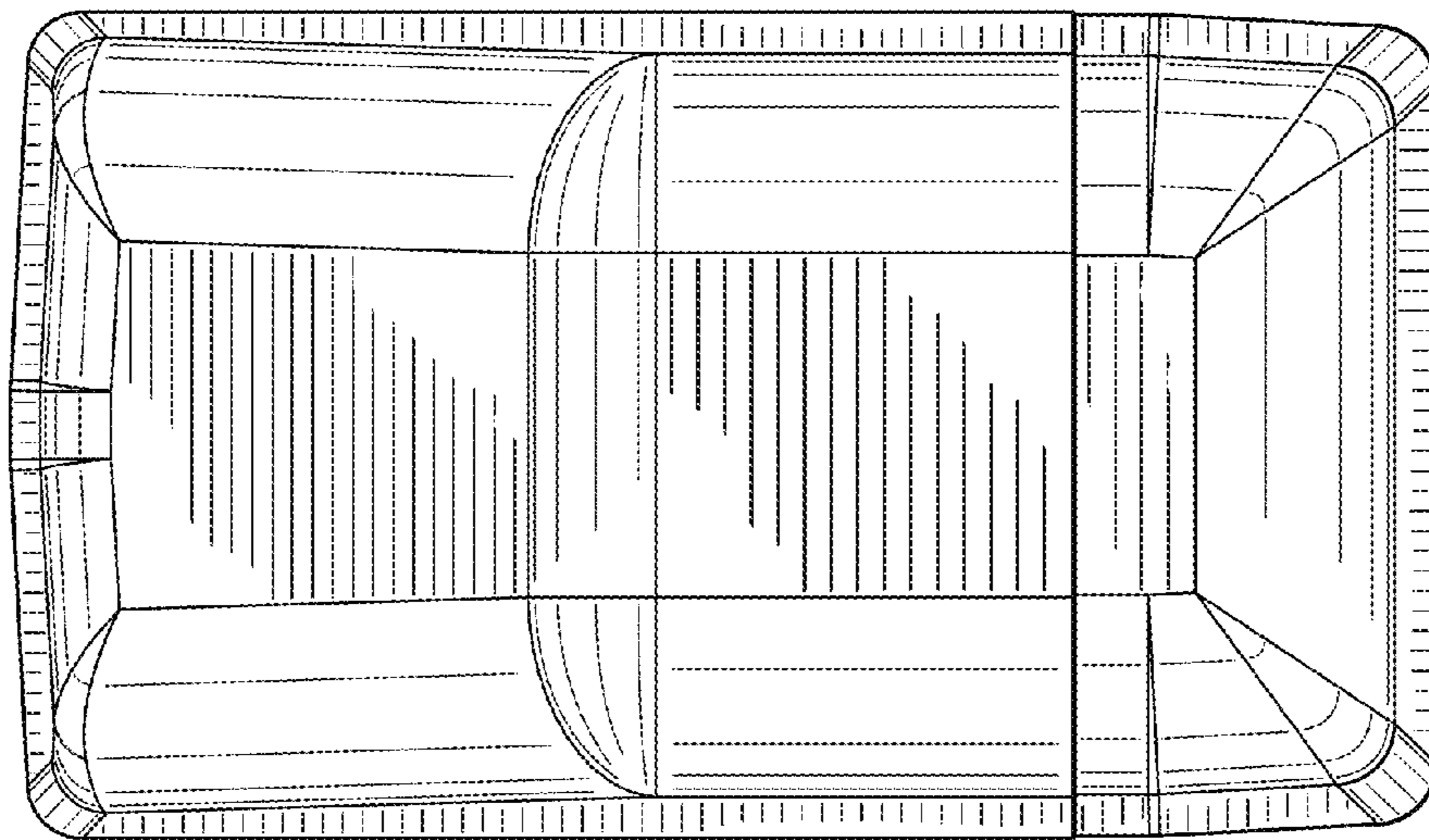


FIG. 7

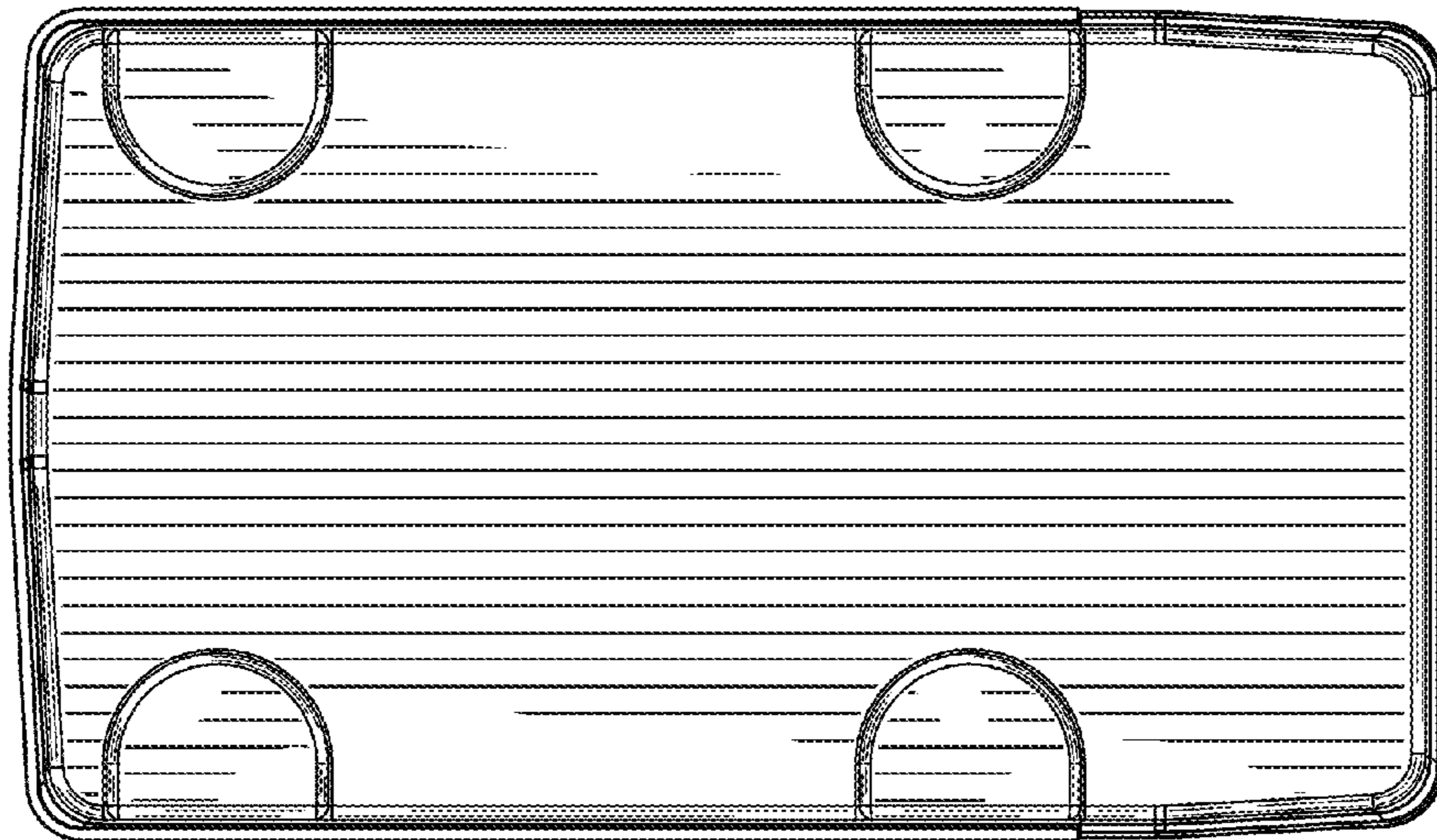


FIG. 8