



US00D731613S

(12) **United States Design Patent**
Kano et al.

(10) **Patent No.:** **US D731,613 S**
(45) **Date of Patent:** **** Jun. 9, 2015**

(54) **FISHING REEL**

(56) **References Cited**

(71) Applicant: **Globeride, Inc.**, Higashikurume-shi,
Tokyo (JP)

U.S. PATENT DOCUMENTS

(72) Inventors: **Shuta Kano**, Higashikurume (JP);
Takeshi Nagayama, Higashikurume
(JP); **Masakazu Noguchi**,
Higashikurume (JP); **Daisuke Higuchi**,
Musashino (JP)

6,032,894 A *	3/2000	Chapman et al.	242/310
D595,806 S *	7/2009	Nago	D22/140
D674,868 S *	1/2013	Deguchi et al.	D22/140
D709,985 S *	7/2014	Deguchi	D22/140
D718,409 S *	11/2014	Asaba	D22/140

* cited by examiner

(73) Assignee: **Globeride, Inc.**, Tokyo (JP)

Primary Examiner — Catheri Oliver-Garcia

(**) Term: **14 Years**

(74) *Attorney, Agent, or Firm* — Sughrue Mion, PLLC

(21) Appl. No.: **29/466,189**

(57) **CLAIM**

The ornamental design for a fishing reel, as shown and described.

(22) Filed: **Sep. 5, 2013**

DESCRIPTION

(30) **Foreign Application Priority Data**

Mar. 6, 2013 (JP) 2013-004872

(51) **LOC (10) Cl.** **22-05**

(52) **U.S. Cl.**
USPC **D22/140**

(58) **Field of Classification Search**
USPC D3/137–141; 242/223–224, 234–240,
242/310, 314–315, 318, 322, 370

See application file for complete search history.

FIG. 1 is a front, right, upper perspective view of a fishing reel showing our new design;
FIG. 2 is a front, left, upper perspective view thereof;
FIG. 3 is a front view thereof;
FIG. 4 is a rear view thereof;
FIG. 5 is a left side view thereof;
FIG. 6 is a right side view thereof;
FIG. 7 is a top plan view thereof; and,
FIG. 8 is a bottom view thereof.

1 Claim, 8 Drawing Sheets

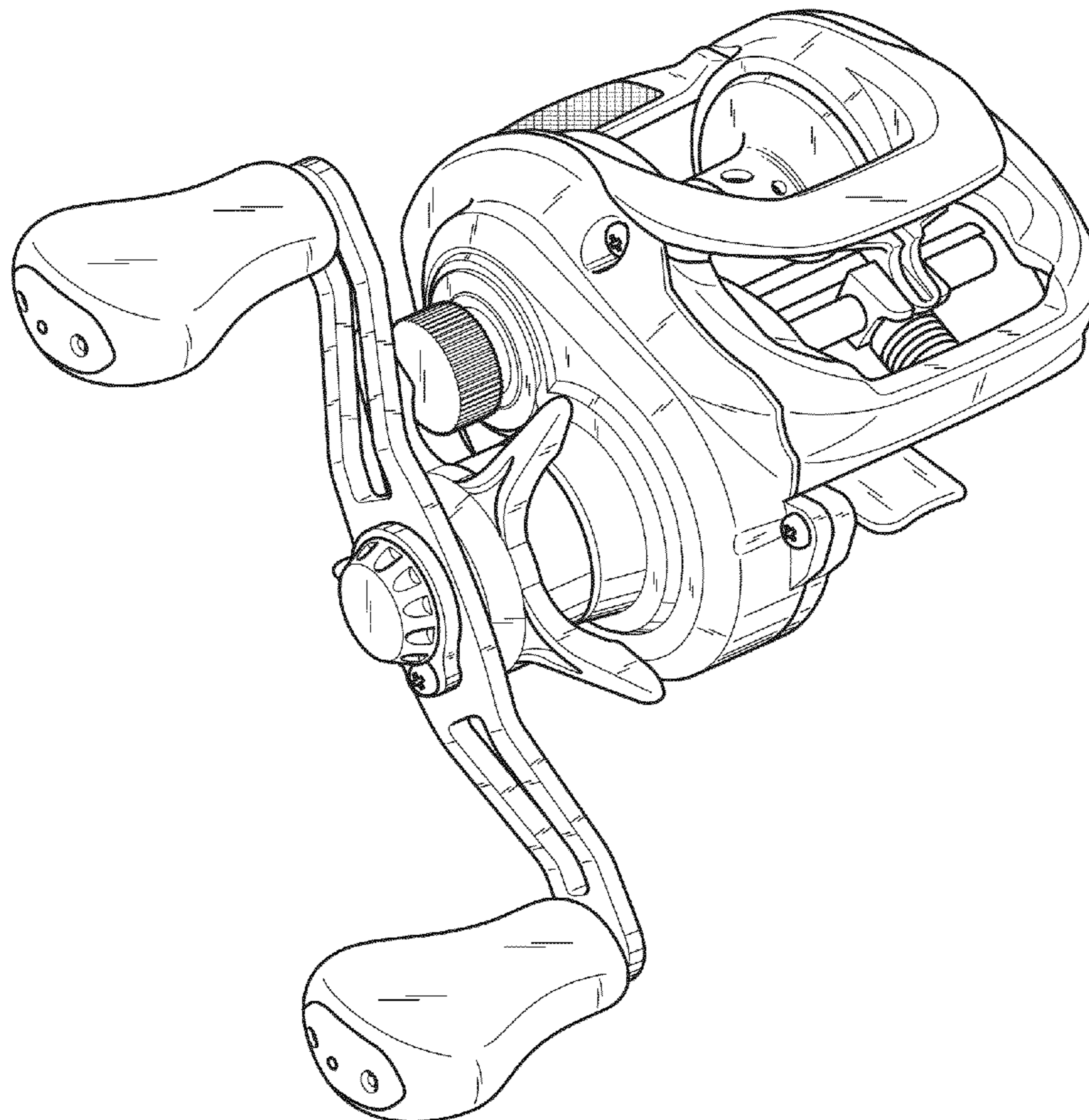


FIG. 1

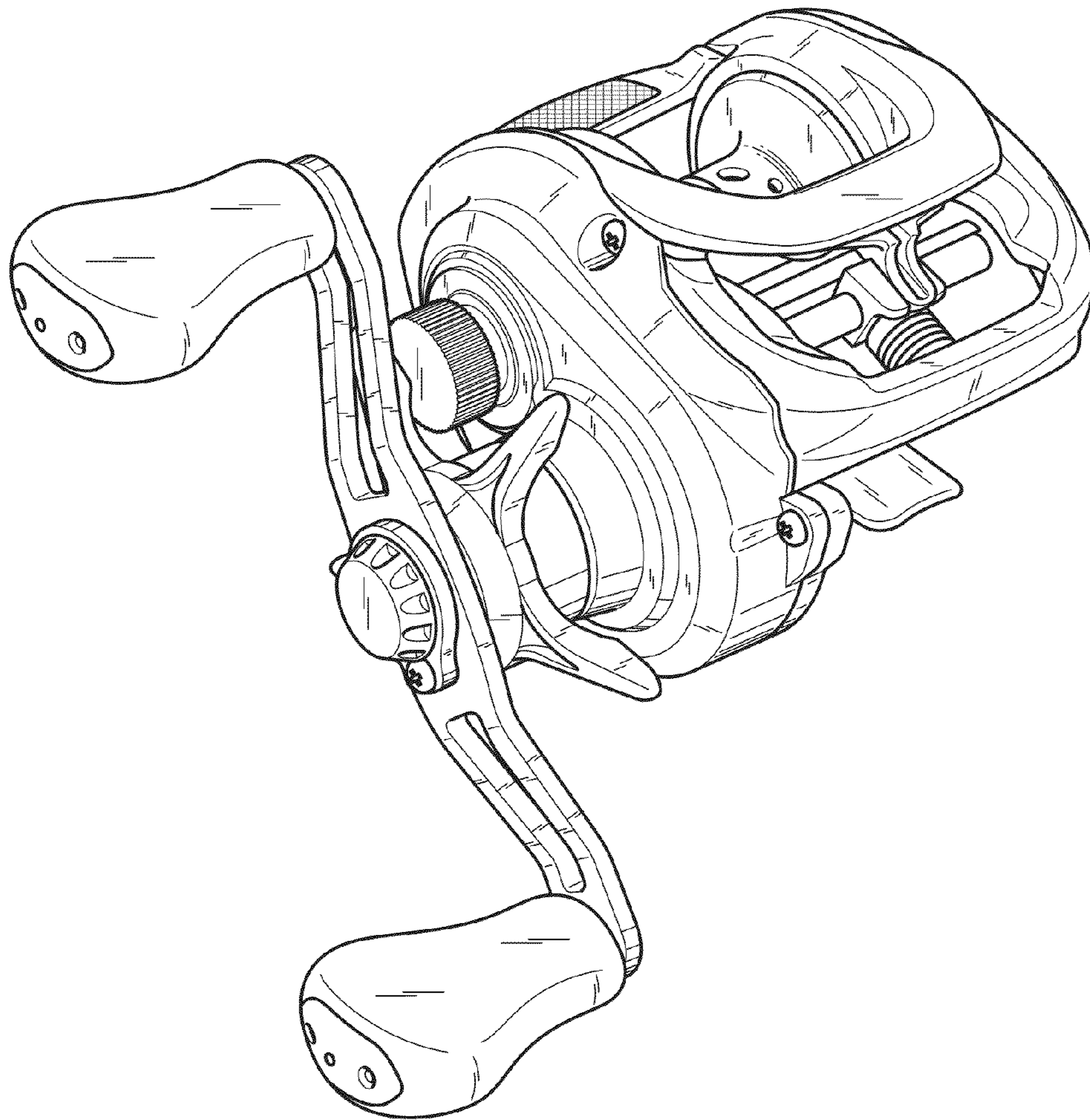


FIG. 2

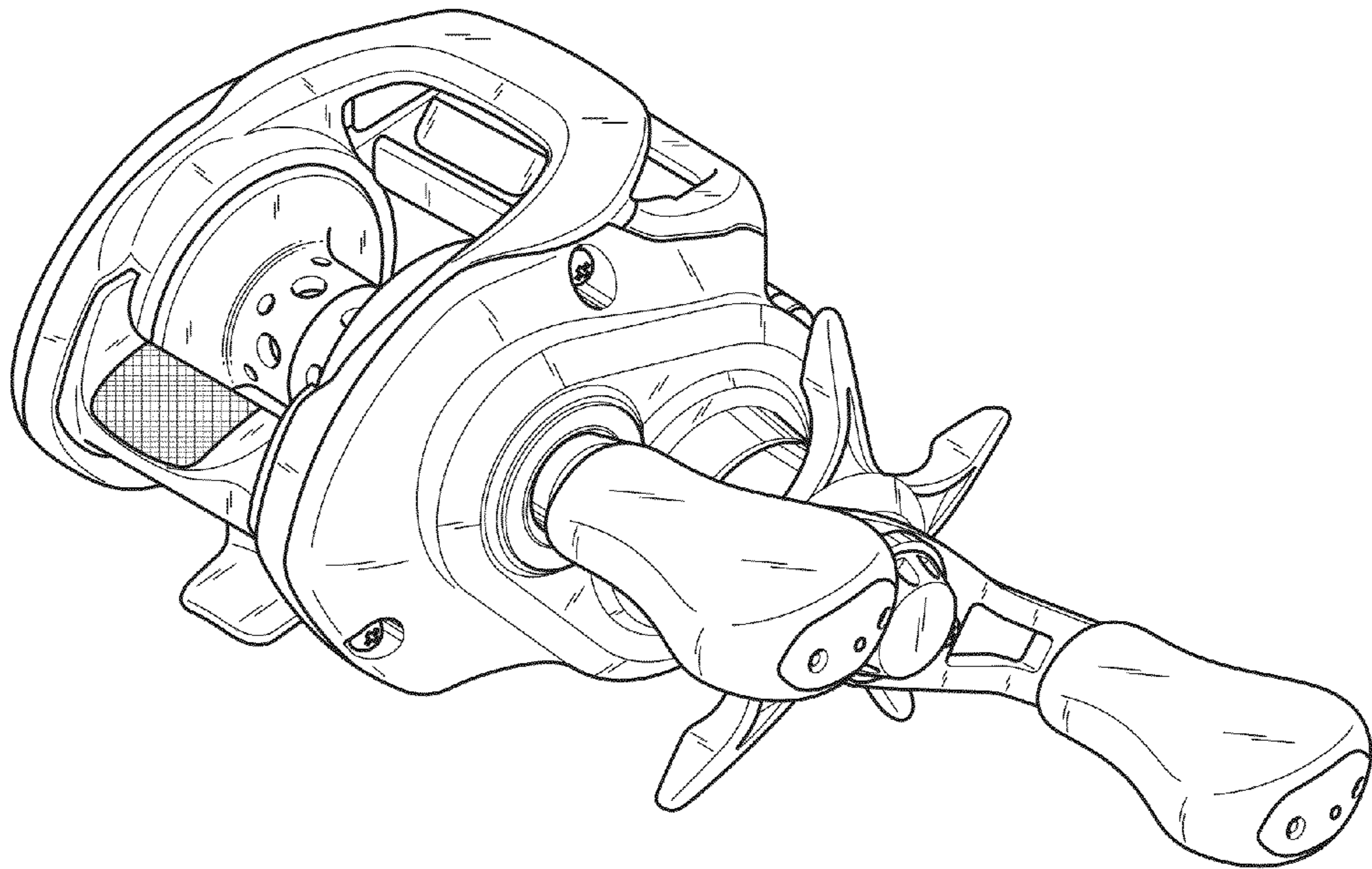


FIG. 3

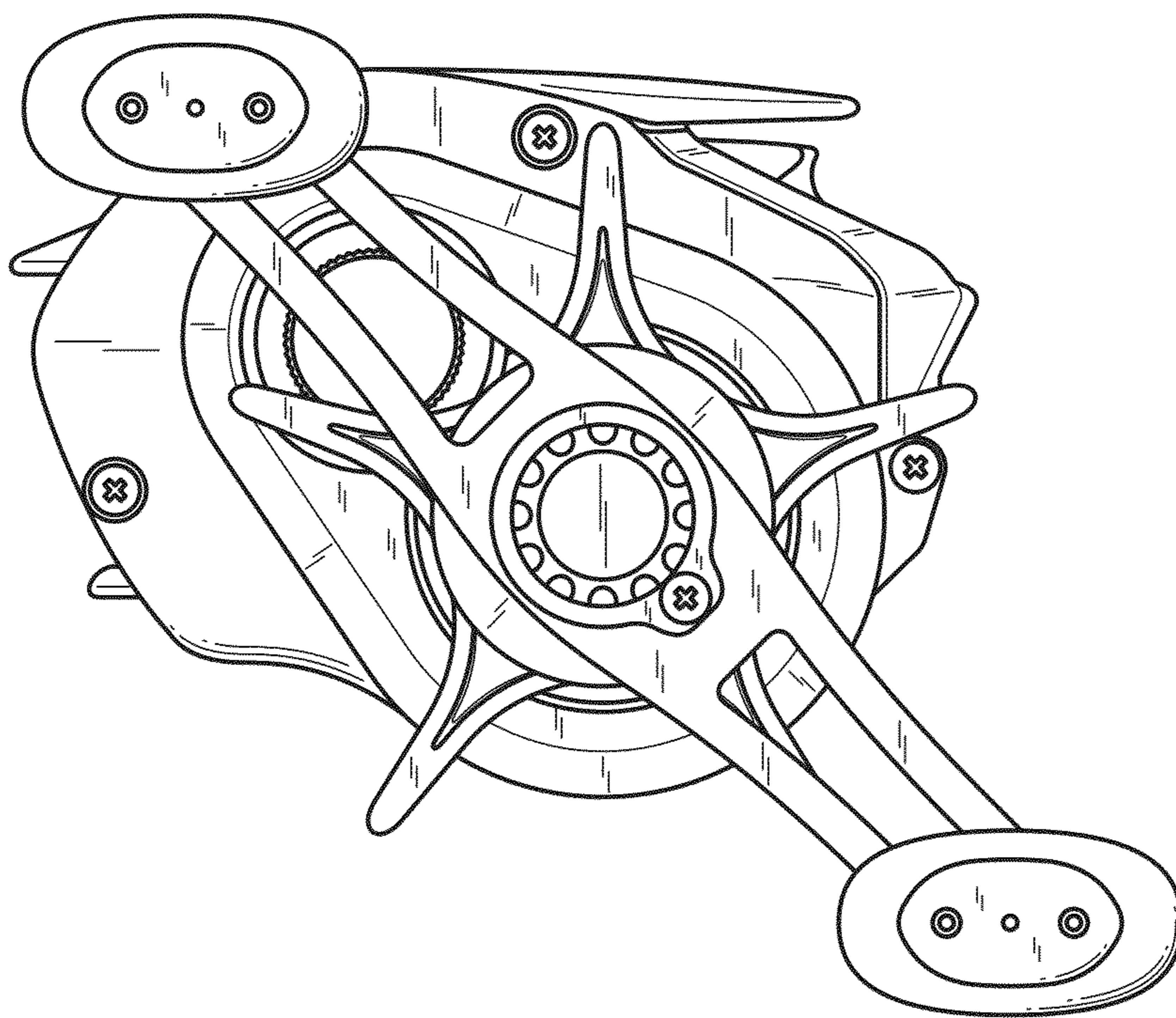


FIG. 4

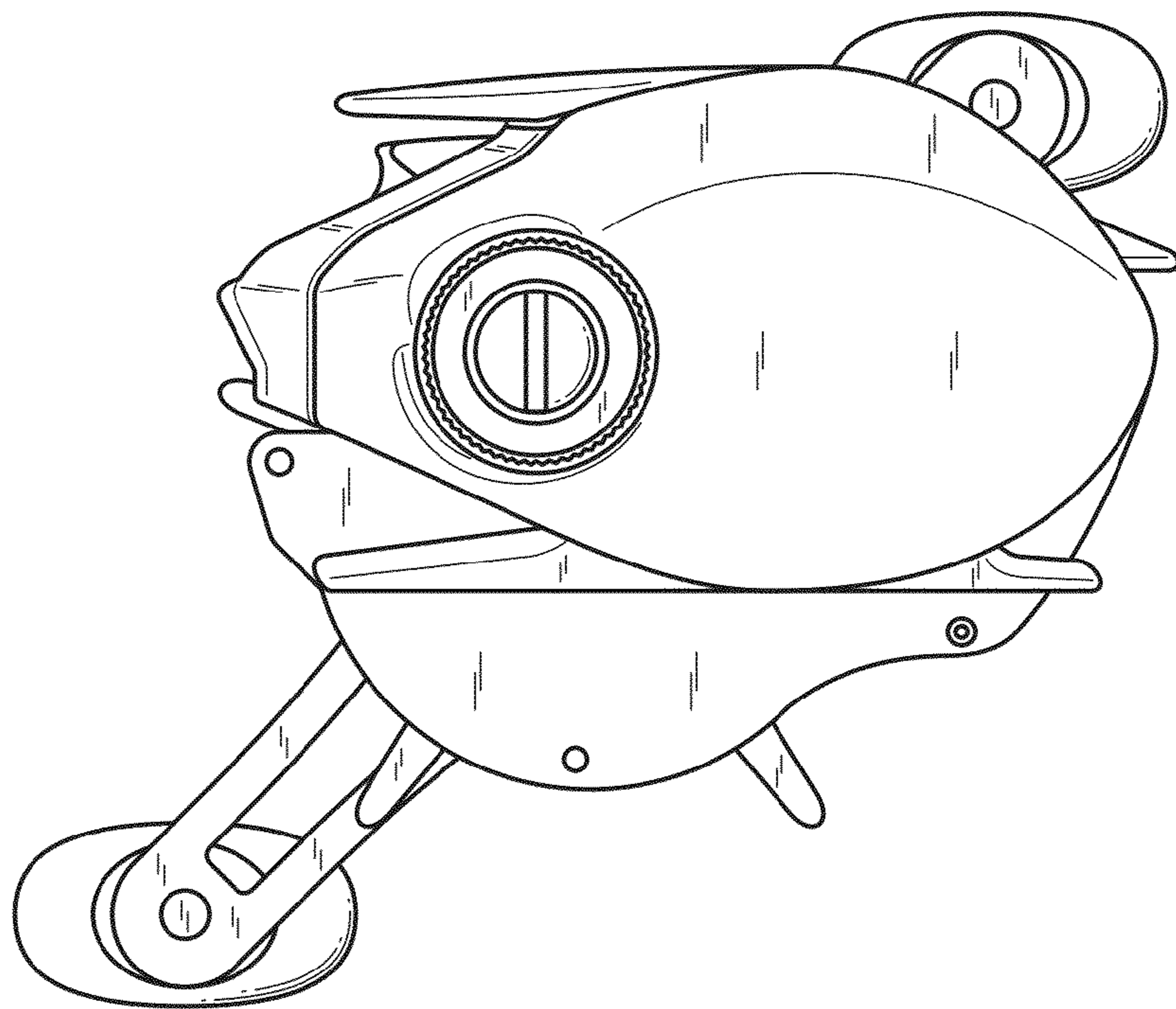


FIG. 5

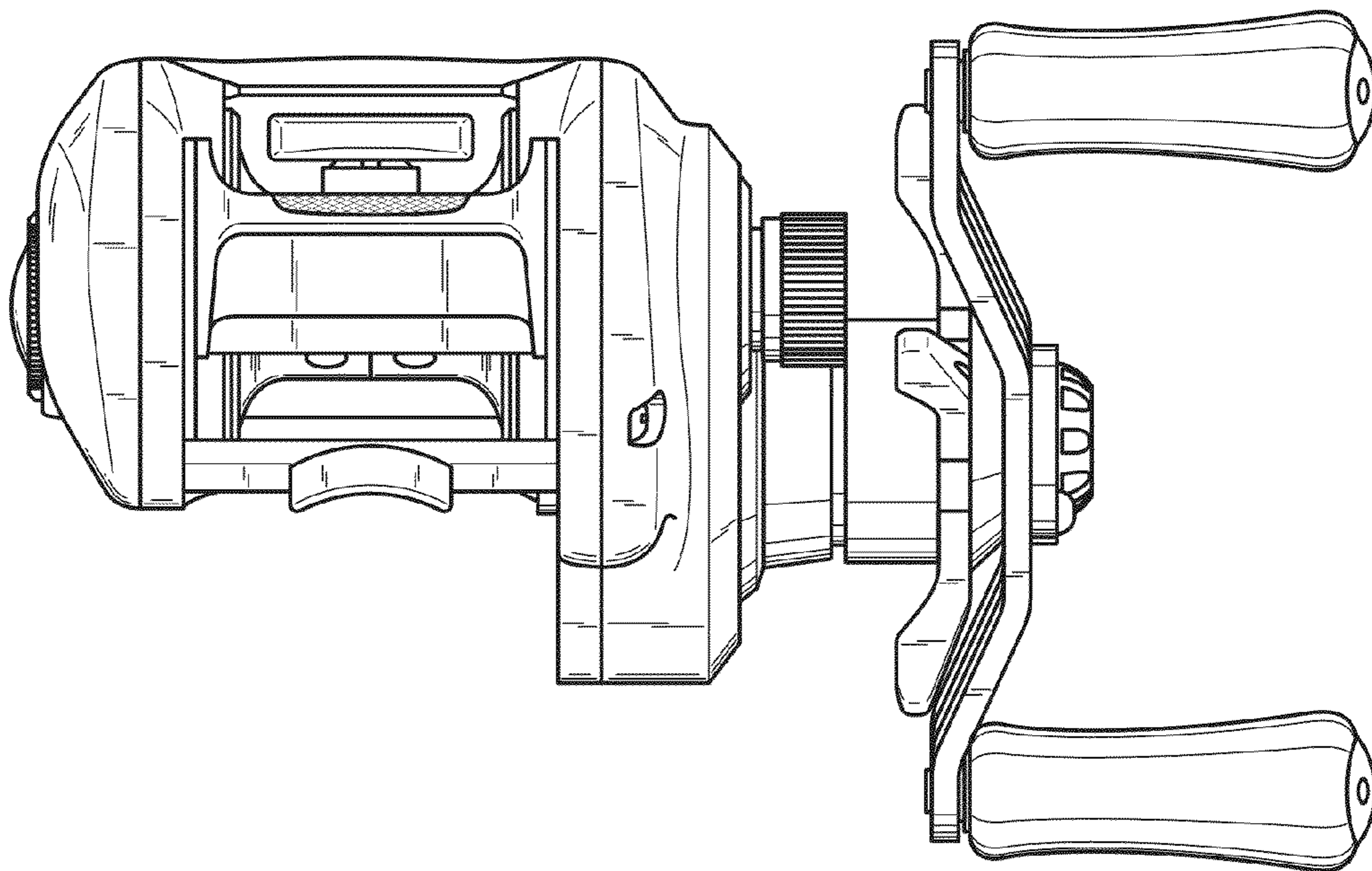


FIG. 6

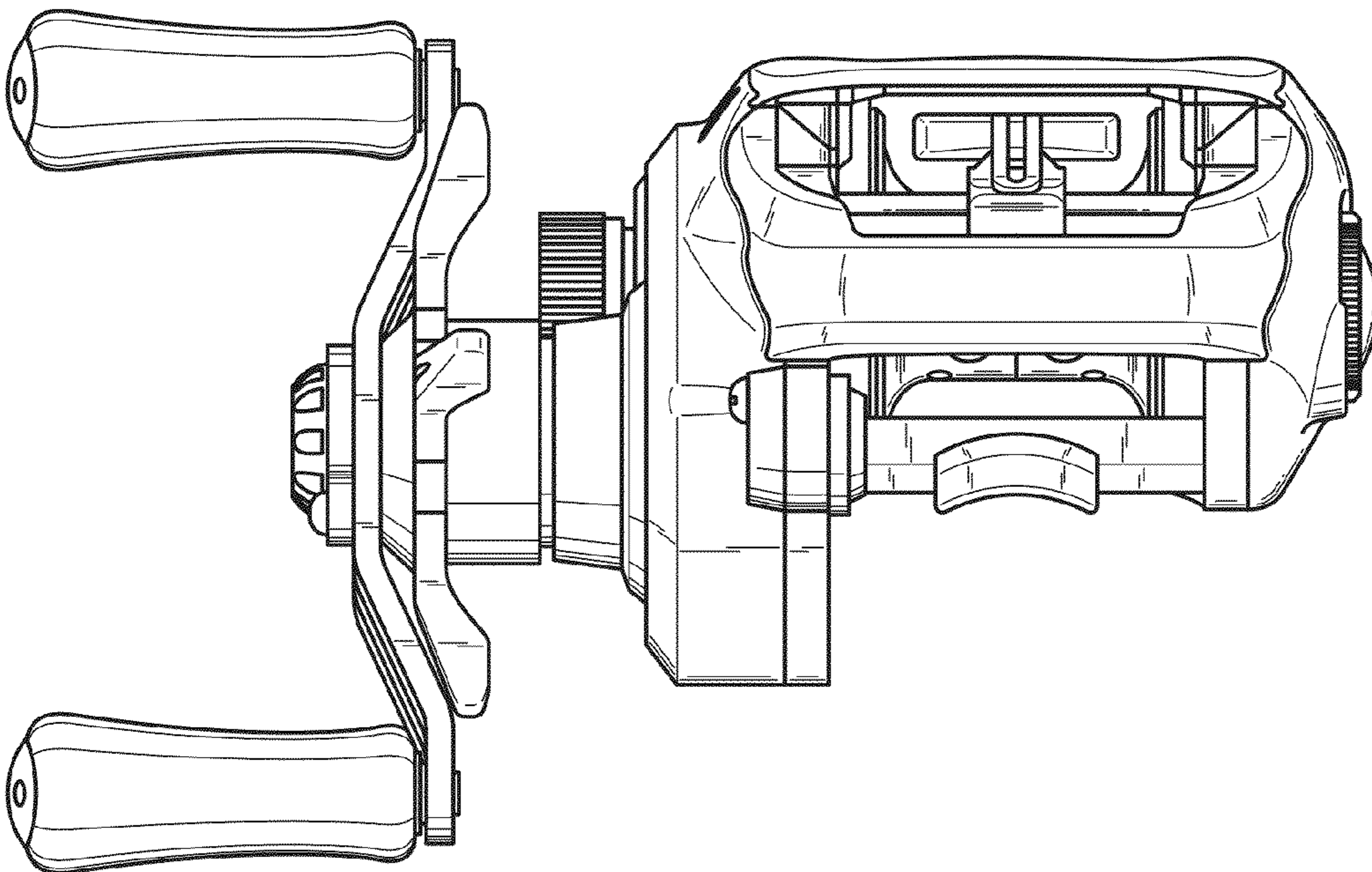


FIG. 7

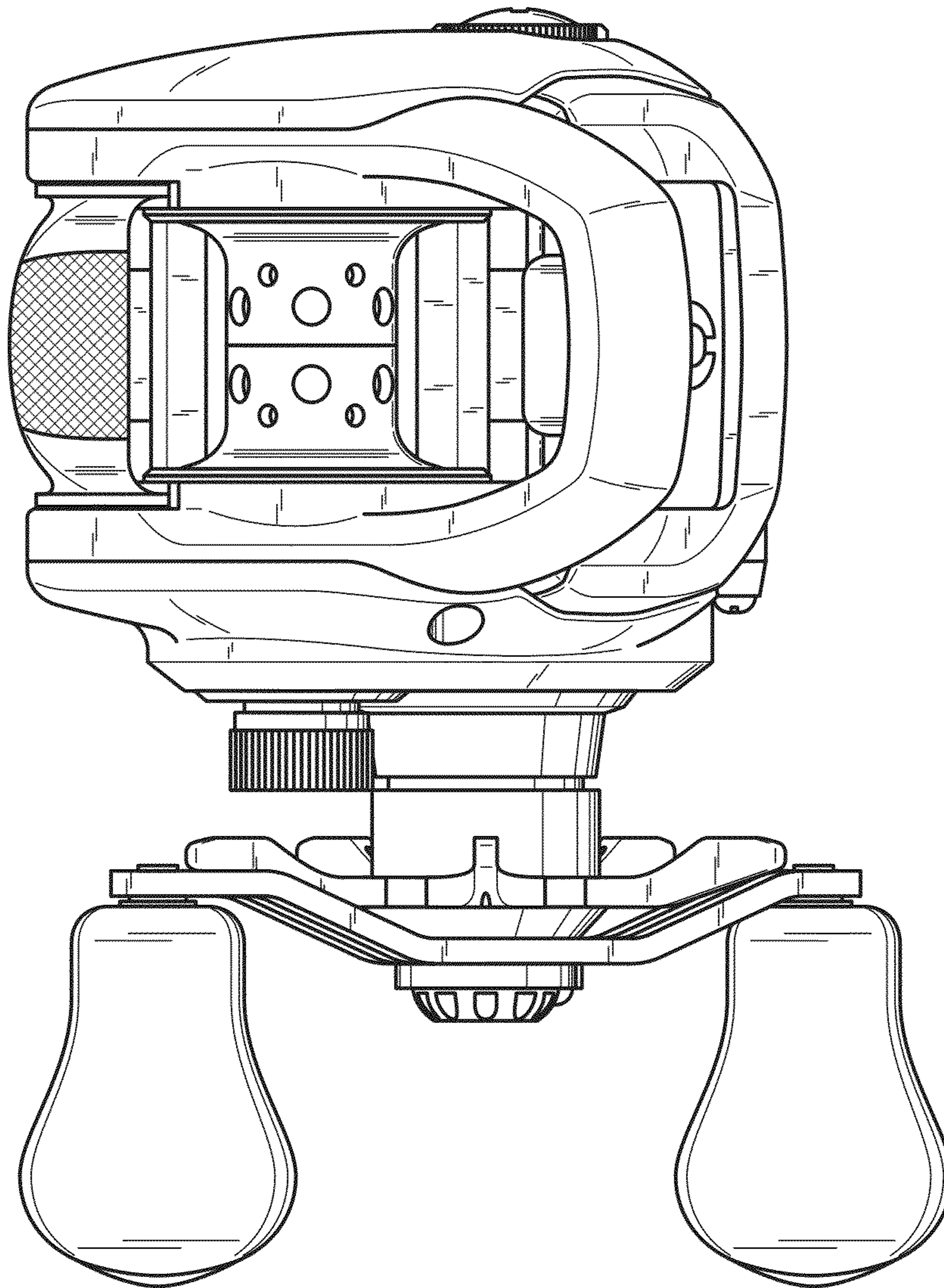


FIG. 8

