



US00D731612S

(12) **United States Design Patent**
Ying

(10) **Patent No.:** **US D731,612 S**

(45) **Date of Patent:** **** *Jun. 9, 2015**

(54) **COMPACT STUN GUN DEVICE WITH
FLASHLIGHT AND ALARM SIREN**

(71) Applicant: **Lifang Ying**, Sugar Land, TX (US)

(72) Inventor: **Lifang Ying**, Sugar Land, TX (US)

(*) Notice: This patent is subject to a terminal disclaimer.

(**) Term: **14 Years**

(21) Appl. No.: **29/487,278**

(22) Filed: **Apr. 7, 2014**

(51) **LOC (10) Cl.** **22-01**

(52) **U.S. Cl.**
USPC **D22/117; D26/38**

(58) **Field of Classification Search**
USPC **D22/117-120; D26/38, 40, 42, 46, 49,
D26/51; 362/157-158, 184, 194-208, 253;
D10/114.9**

See application file for complete search history.

(56) **References Cited**

U.S. PATENT DOCUMENTS

D539,376 S *	3/2007	Rhee	D22/117
D552,207 S *	10/2007	Rhee	D22/117
D585,520 S *	1/2009	Teig	D22/117
D661,771 S *	6/2012	Nawaz	D22/117

D668,733 S * 10/2012 Pucciarelli D22/117

* cited by examiner

Primary Examiner — Catheri Oliver-Garcia

(74) *Attorney, Agent, or Firm* — Lai, Corsini and Lapus, LLC; Theodore Lapus

(57) **CLAIM**

The ornamental design for a compact stun gun device with flashlight and alarm siren, as shown and described.

DESCRIPTION

FIG. 1 is a top view of the compact stun gun device with flashlight and alarm siren, showing surface design;

FIG. 2 is a bottom view of the compact stun gun device with flashlight and alarm siren, showing surface design and speaker placement and design.

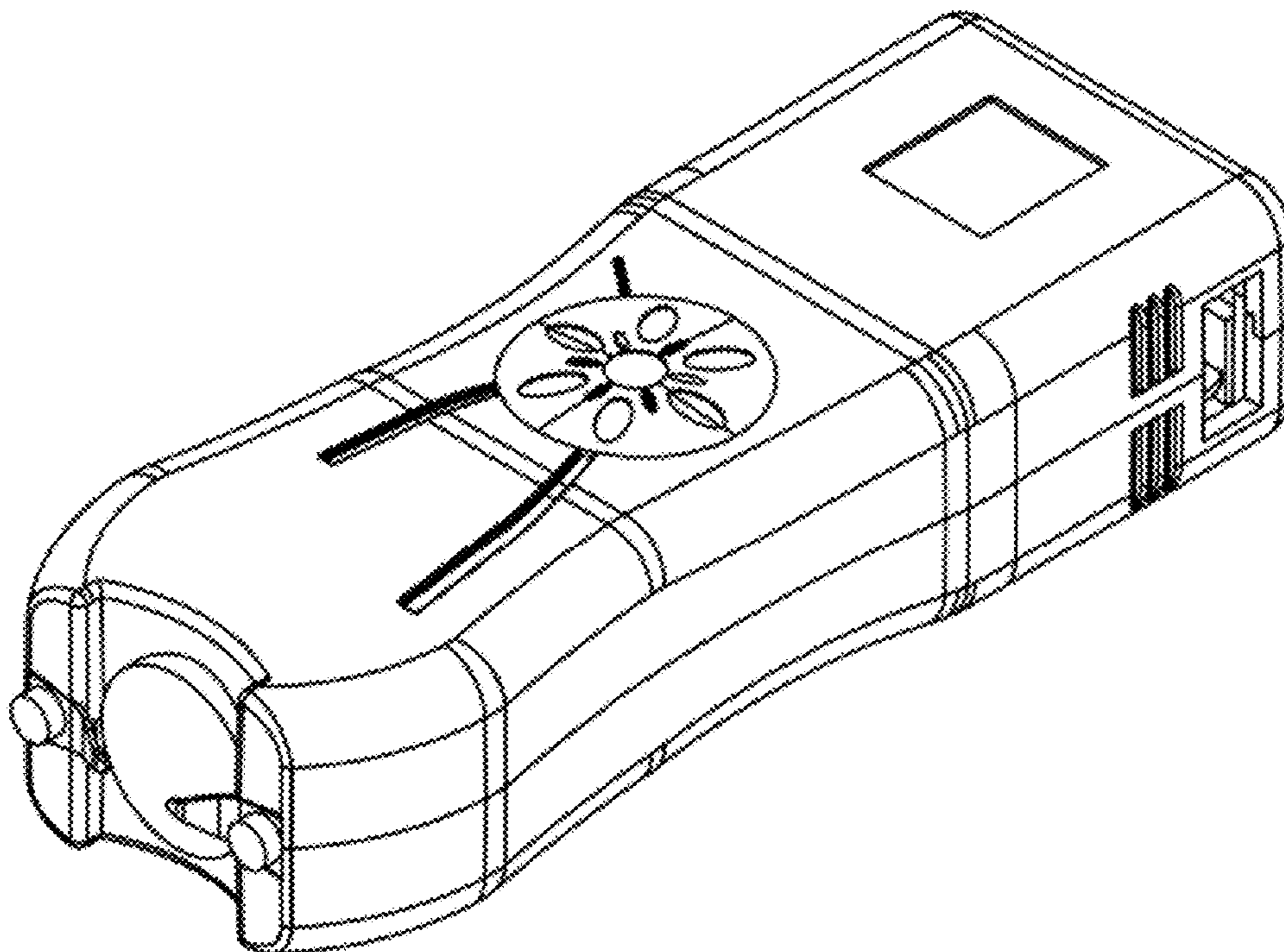
FIG. 3 is a side view of the compact stun gun device with flashlight and alarm siren, showing a surface design and an off/on switch.

FIG. 4 is a front view of the compact stun gun device with flashlight and alarm siren, showing the placement of electric contacts.

FIG. 5 is a rear view of the compact stun gun device with flashlight and alarm siren, showing the placement of a port for connecting a pin to enable/disable various features of the device; and,

FIG. 6 is a perspective view of the compact stun gun device with flashlight and alarm siren, showing the top with surface design, speaker placement and speaker design, and a side of the device.

1 Claim, 6 Drawing Sheets



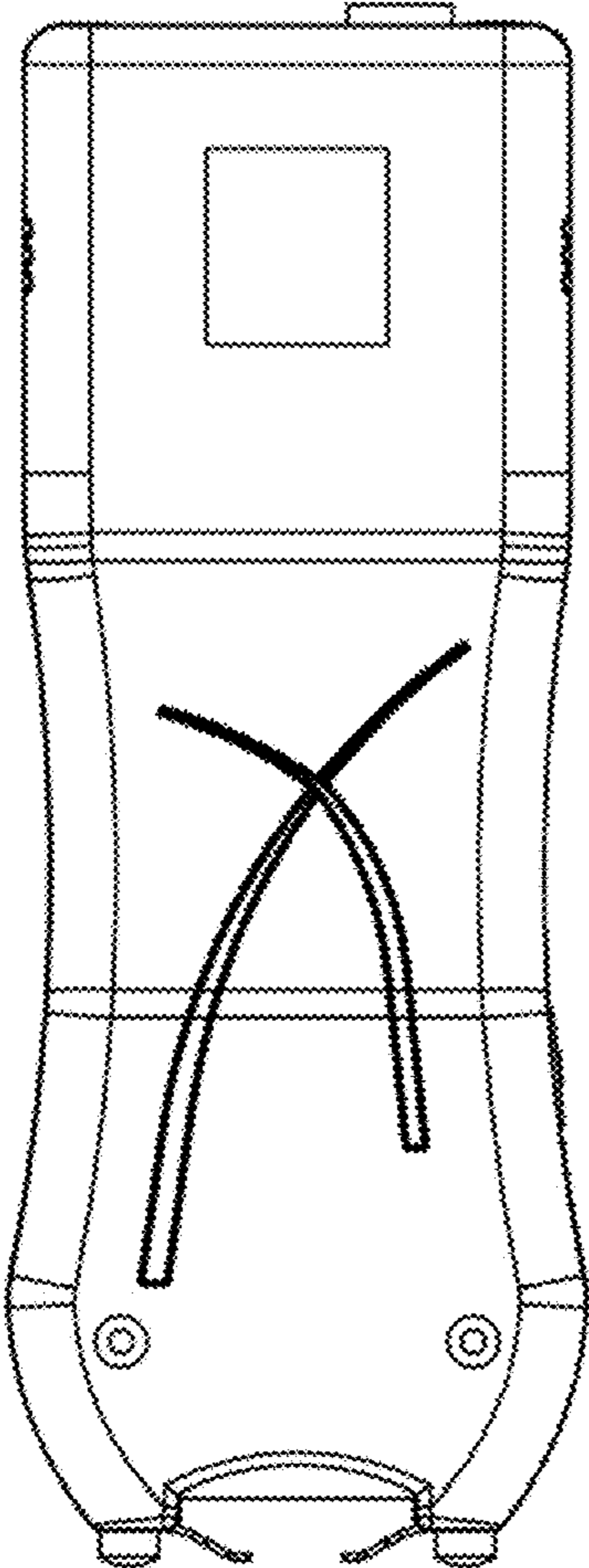


Figure 1

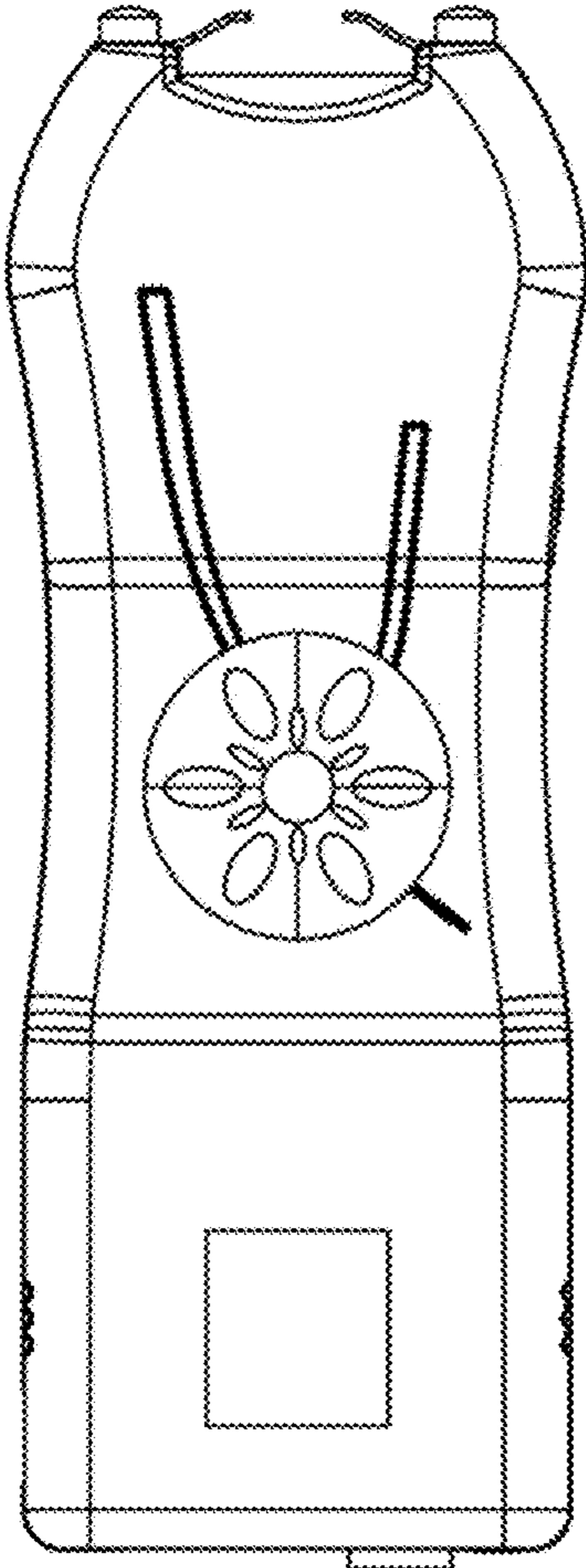


Figure 2

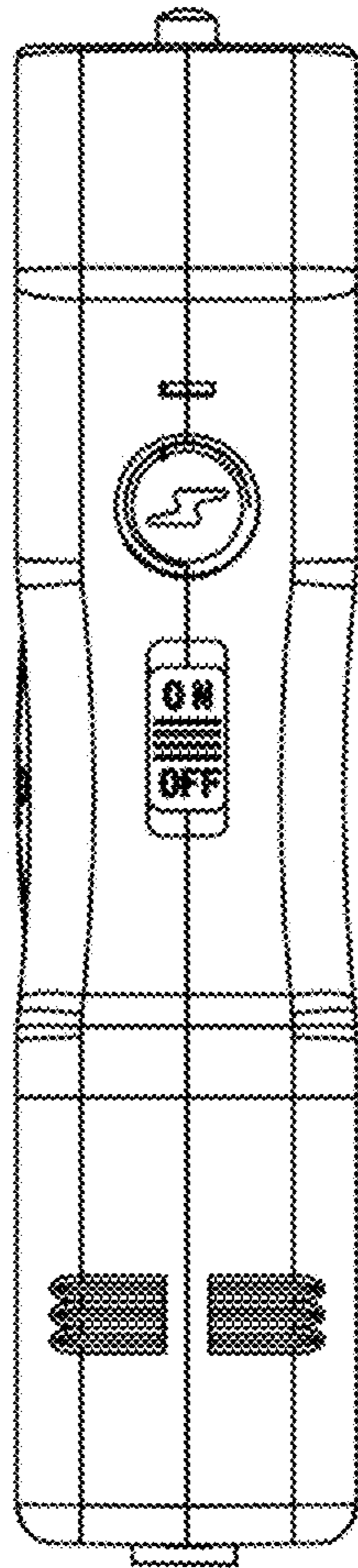


Figure 3

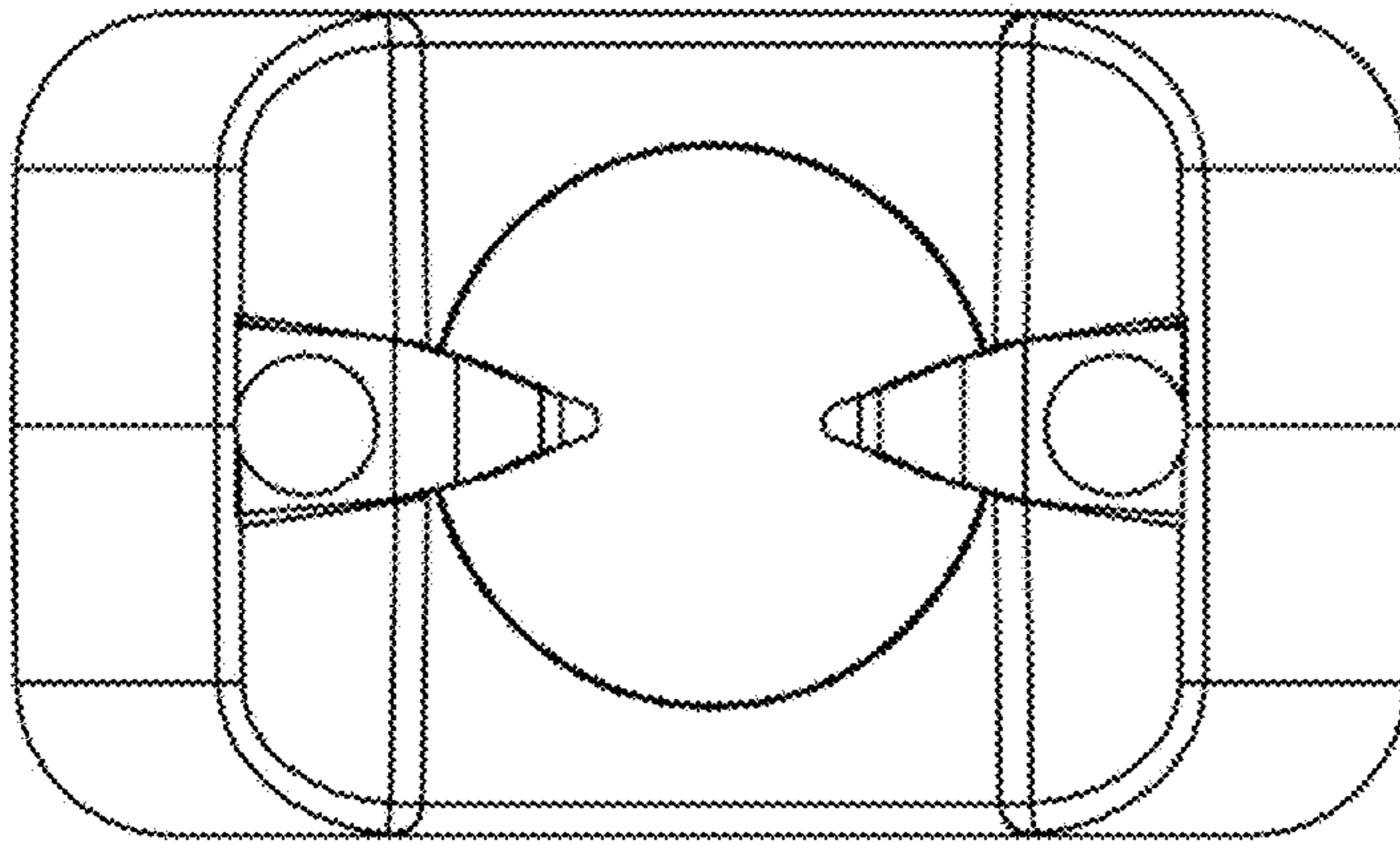


Figure 4

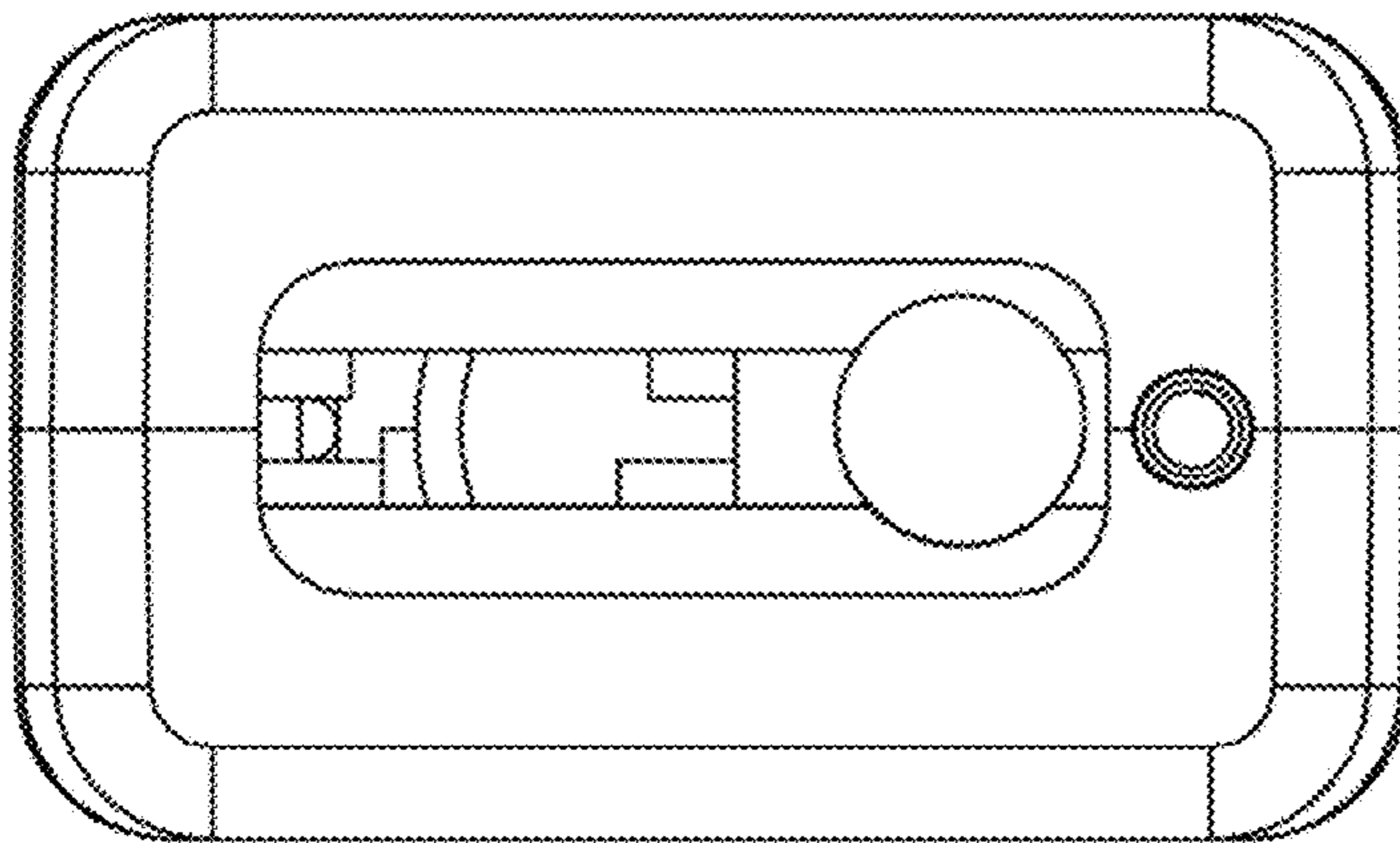


Figure 5

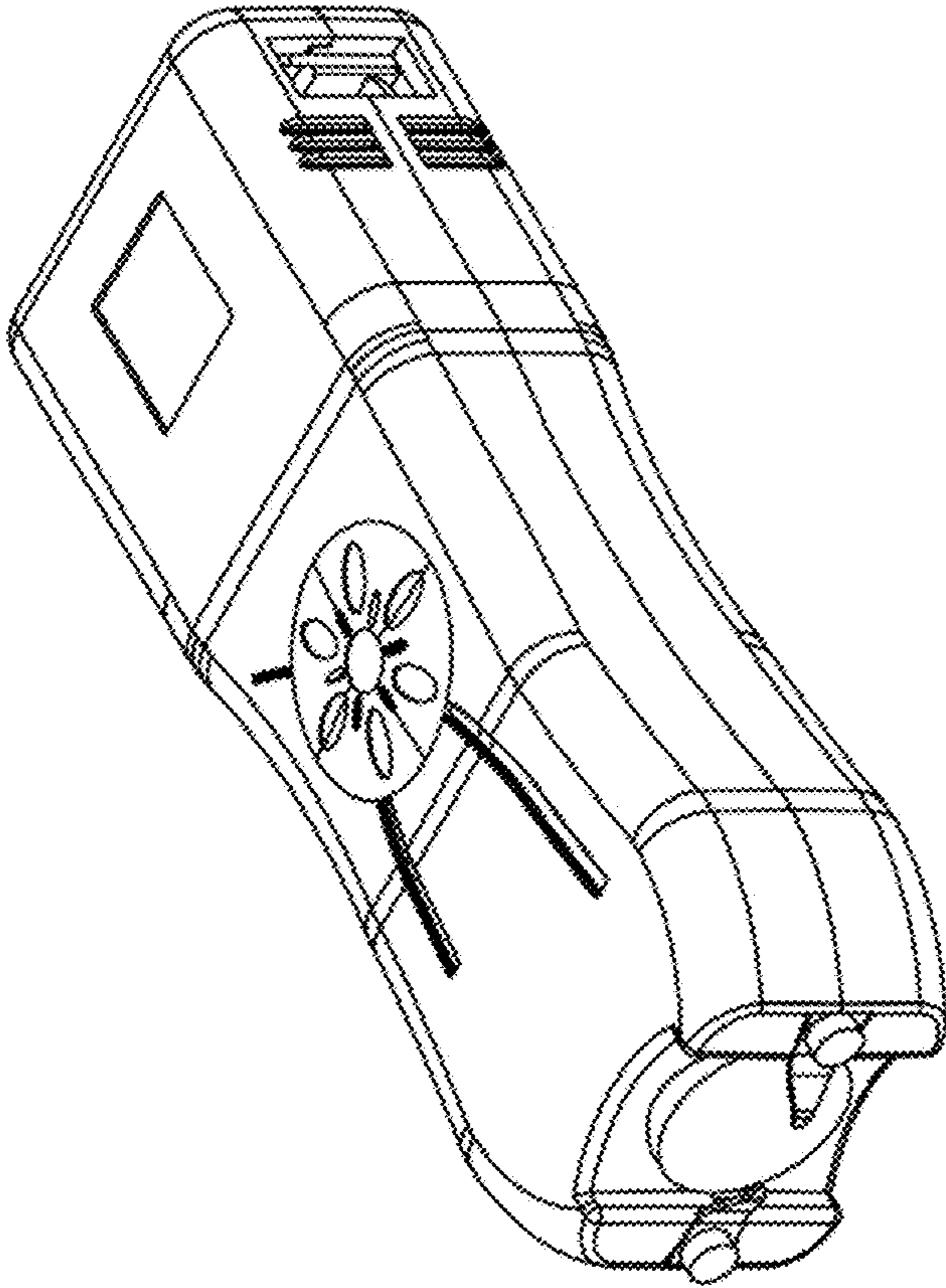


Figure 6