

US00D731610S

(12) **United States Design Patent**  
**Marcy**

(10) **Patent No.:** **US D731,610 S**  
(45) **Date of Patent:** **\*\* Jun. 9, 2015**

- (54) **GOLF SWING TRAINER**
- (71) Applicant: **Richard Scott Marcy**, Ormond Beach, FL (US)
- (72) Inventor: **Richard Scott Marcy**, Ormond Beach, FL (US)
- (\*\*) Term: **14 Years**
- (21) Appl. No.: **29/487,665**
- (22) Filed: **Apr. 10, 2014**
- (51) **LOC (10) Cl.** ..... **21-02**
- (52) **U.S. Cl.**  
USPC ..... **D21/792**
- (58) **Field of Classification Search**  
USPC ..... D21/789, 791, 792; 473/150, 157, 168, 473/218, 266, 278  
See application file for complete search history.

- D352,757 S \* 11/1994 Gerhardt ..... D21/792
- D353,864 S \* 12/1994 Thompson ..... D21/792
- D415,235 S \* 10/1999 DeOliviera ..... D21/792
- D508,725 S \* 8/2005 Park ..... D21/792
- D508,971 S \* 8/2005 Park ..... D21/792
- D590,471 S \* 4/2009 Aloisi ..... D21/792
- D624,141 S \* 9/2010 Lai ..... D21/792

\* cited by examiner

*Primary Examiner* — Mitchell Siegel

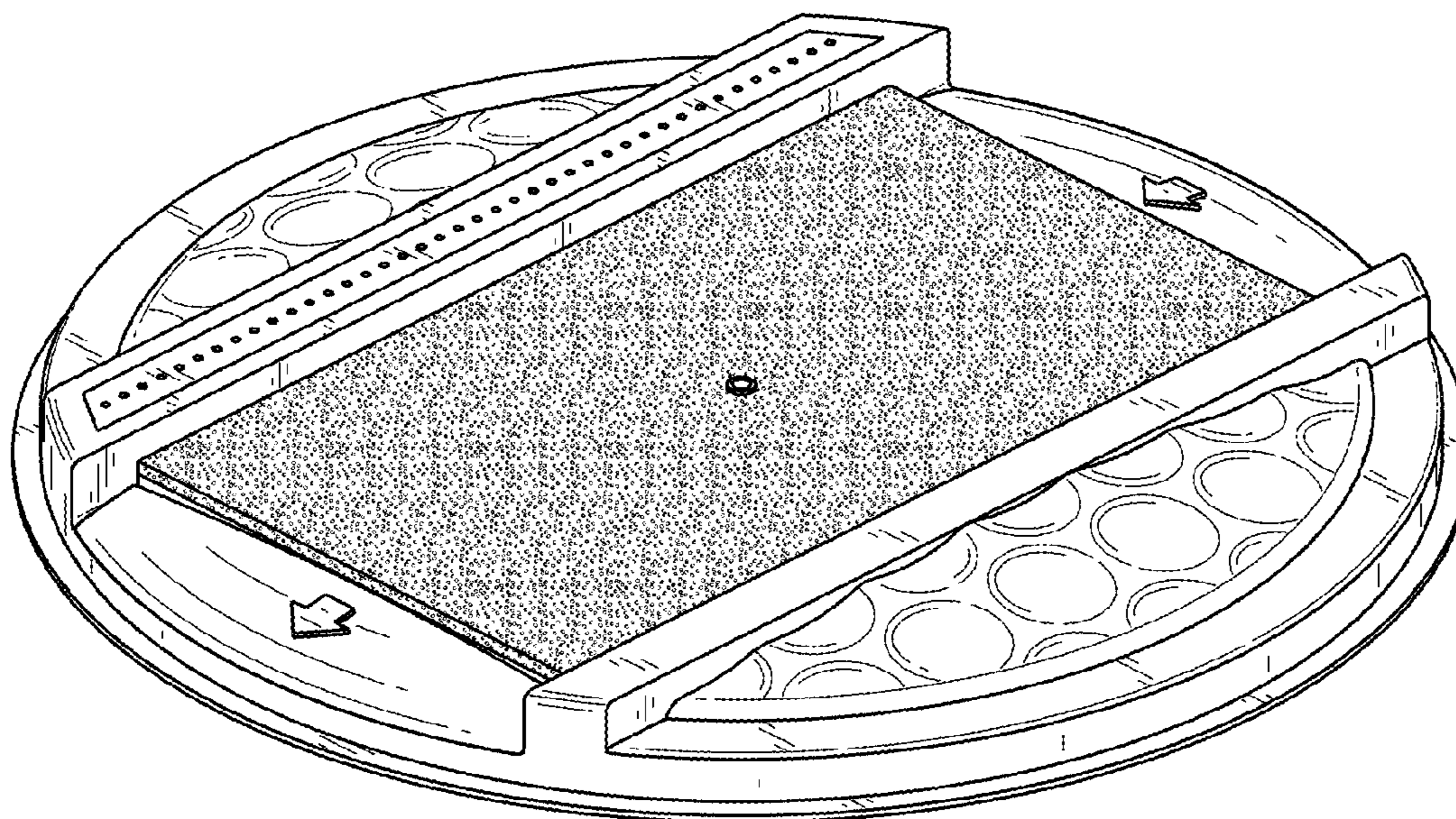
(57) **CLAIM**  
The ornamental design for a golf swing trainer, as shown and described.

**DESCRIPTION**

FIG. 1 is a perspective top view of a golf swing trainer; FIG. 2 is a front elevation view of the golf swing trainer; FIG. 3 is a rear elevation view of the golf swing trainer; FIG. 4 is a left side elevation view of the golf swing trainer; FIG. 5 is a right side elevation view of the golf swing trainer; FIG. 6 is a top plan view of the golf swing trainer; and, FIG. 7 is a bottom plan view of the golf swing trainer. The golf ball in FIG. 2 is shown in broken lines for illustrative purposes only and form no part of the claimed design.

**1 Claim, 4 Drawing Sheets**

- (56) **References Cited**  
U.S. PATENT DOCUMENTS  
D267,739 S \* 1/1983 Hughes ..... D21/792  
D275,413 S \* 9/1984 Shroads et al. .... D21/792





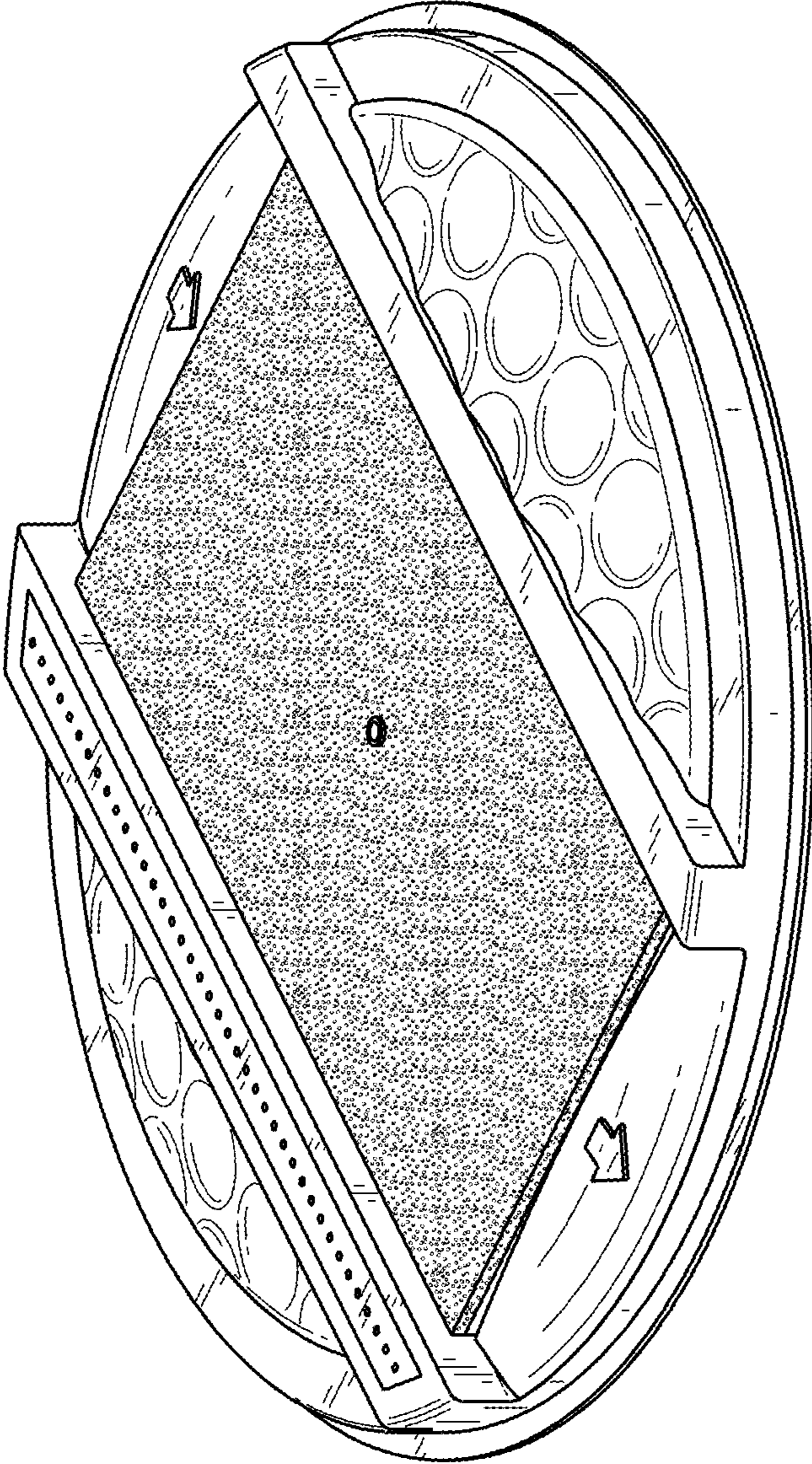


FIG. 1

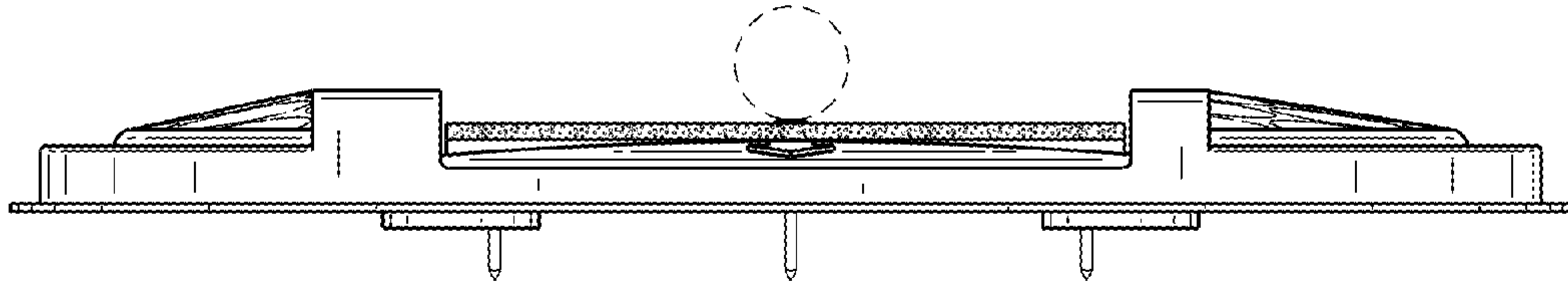


FIG. 2

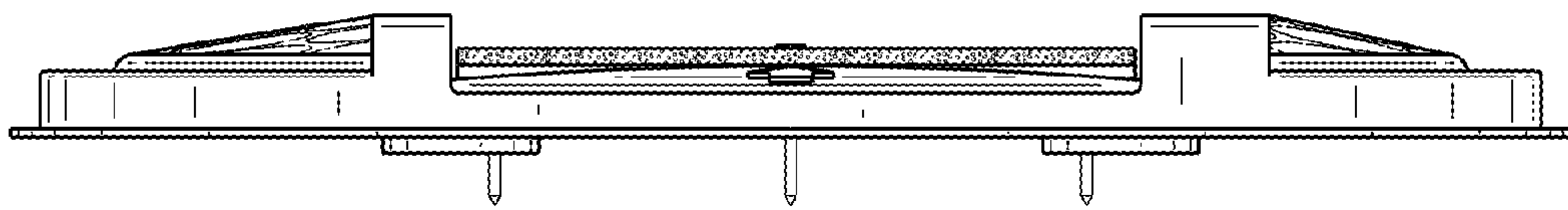


FIG. 3

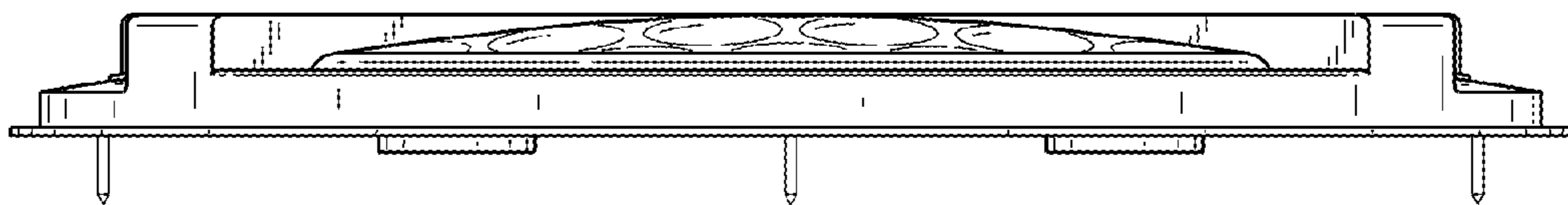


FIG. 4

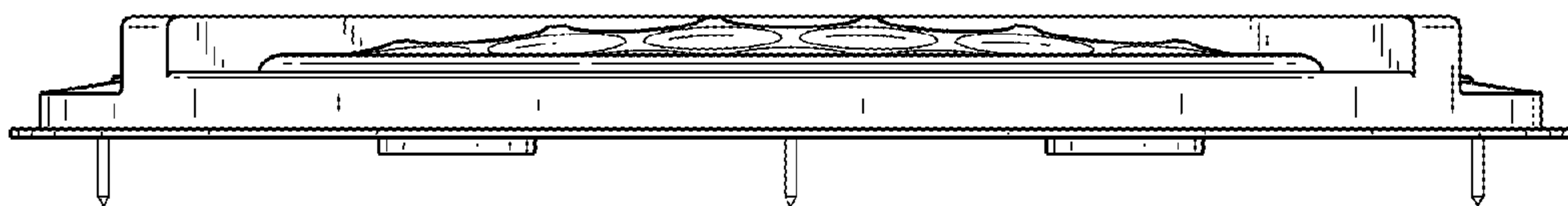


FIG. 5



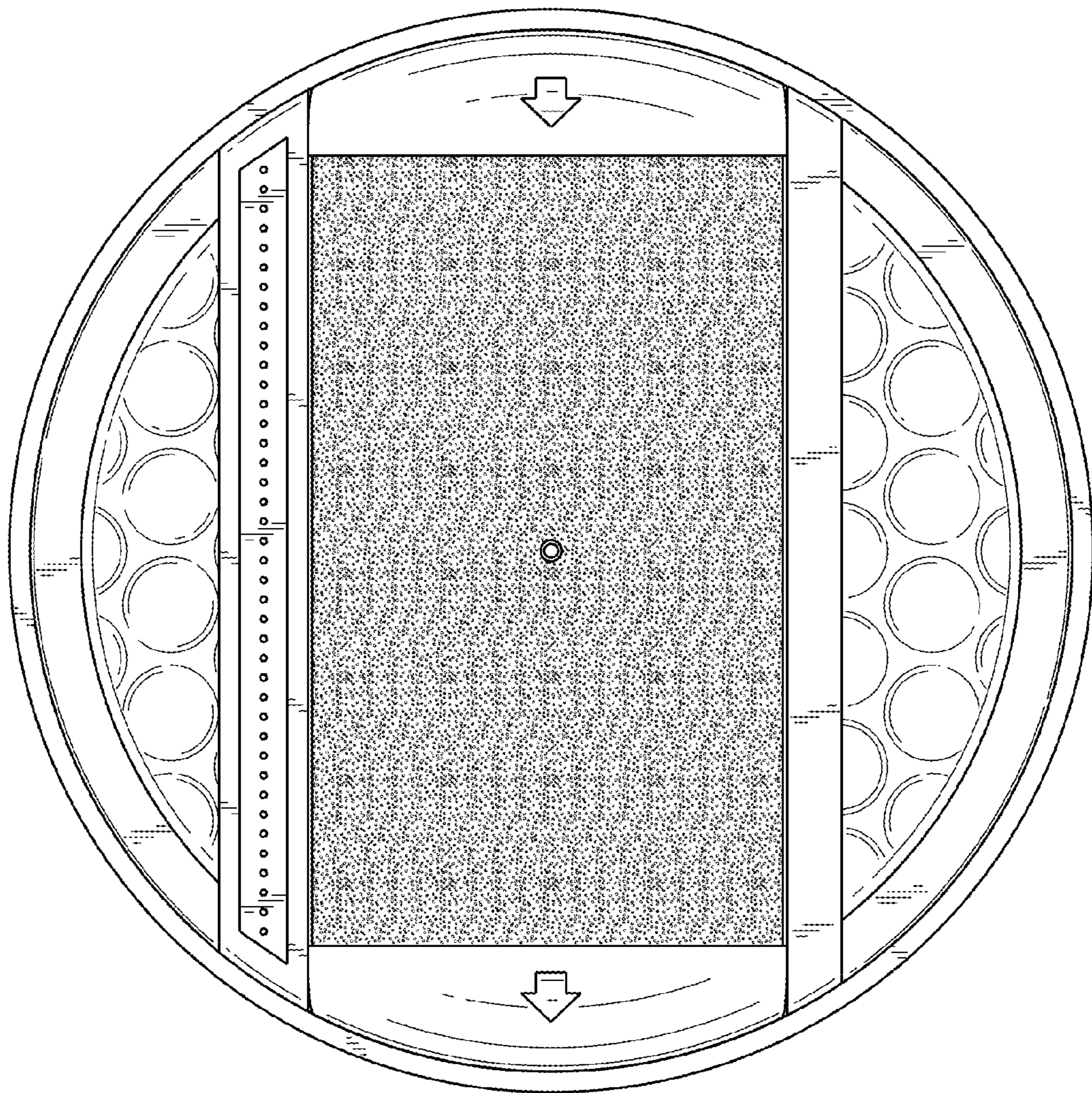


FIG. 6

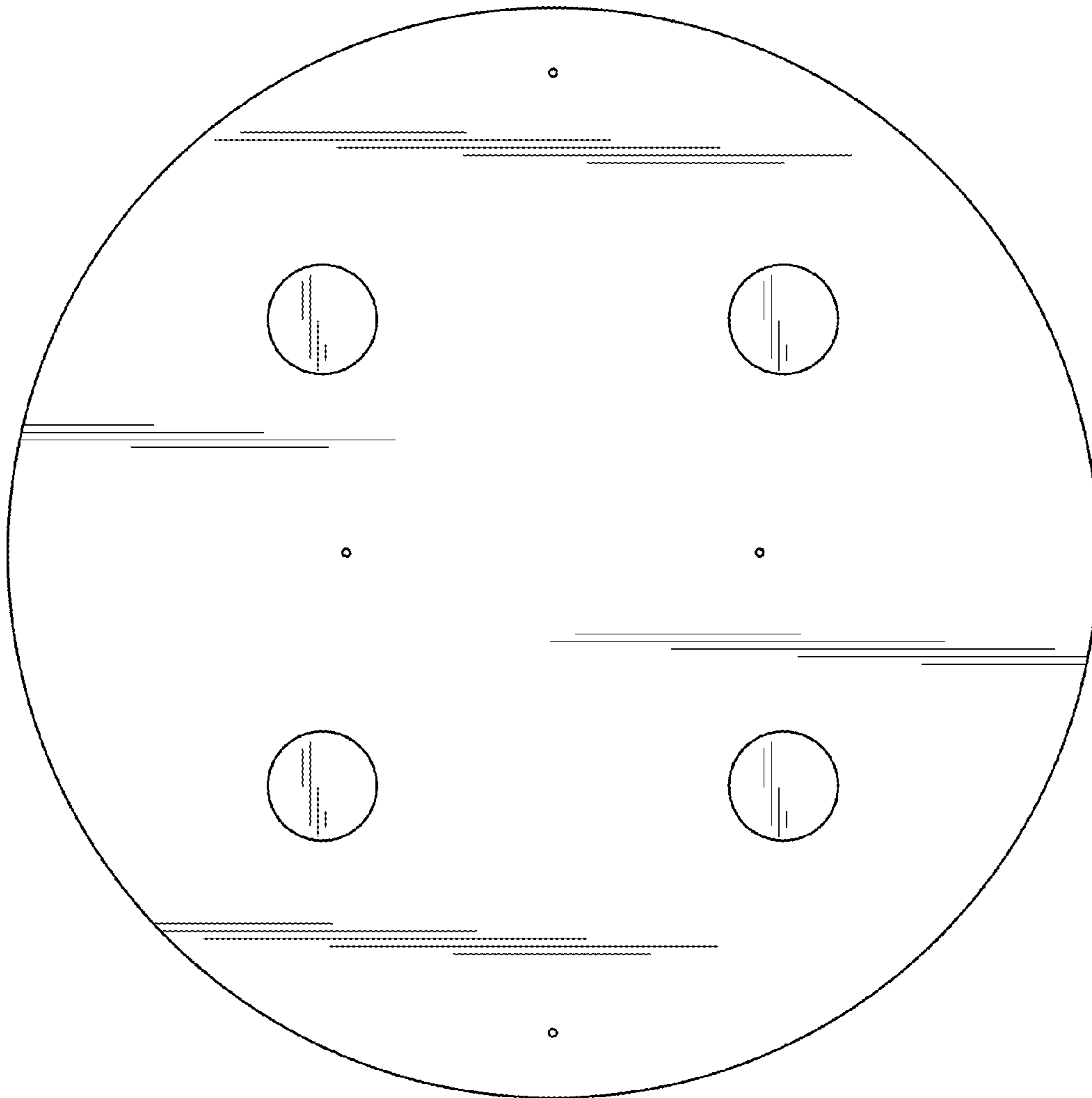


FIG. 7