



US00D731605S

(12) **United States Design Patent**  
**Rollinson**

(10) **Patent No.:** **US D731,605 S**  
(45) **Date of Patent:** **\*\* Jun. 9, 2015**

- (54) **PUTTER HEAD**
- (71) Applicant: **Callaway Golf Company**, Carlsbad, CA (US)
- (72) Inventor: **Augustin W. Rollinson**, Carlsbad, CA (US)
- (73) Assignee: **Callaway Golf Company**, Carlsbad, CA (US)
- (\*\*) Term: **14 Years**
- (21) Appl. No.: **29/484,309**
- (22) Filed: **Mar. 7, 2014**

D590,461 S *	4/2009	Kim et al.	.....	D21/743
D591,372 S *	4/2009	Tang et al.	.....	D21/743
D591,807 S *	5/2009	Rollinson	.....	D21/744
D594,517 S *	6/2009	Tang et al.	.....	D21/736
D594,917 S *	6/2009	Stellander	.....	D21/743
D595,373 S *	6/2009	Kim et al.	.....	D21/744
D604,787 S *	11/2009	Hopkins	.....	D21/791
D619,666 S *	7/2010	DePaul	.....	D21/743
D621,458 S *	8/2010	Serrano et al.	.....	D21/736
D636,829 S *	4/2011	Cardani	.....	D21/759
D657,836 S *	4/2012	Oldknow et al.	.....	D21/759
D658,245 S *	4/2012	Oldknow et al.	.....	D21/736
8,303,434 B1 *	11/2012	DePaul	.....	473/341
D688,341 S *	8/2013	Rollinson	.....	D21/746
D691,226 S *	10/2013	Hilton et al.	.....	D21/746
D701,274 S *	3/2014	Rollinson	.....	D21/736
D704,782 S *	5/2014	Rollinson	.....	D21/736
D719,622 S *	12/2014	Rollinson et al.	.....	D21/746

\* cited by examiner

**Related U.S. Application Data**

- (62) Division of application No. 29/454,394, filed on May 9, 2013, now Pat. No. Des. 704,782.
- (51) **LOC (10) Cl.** ..... **21-02**
- (52) **U.S. Cl.**  
USPC ..... **D21/736**
- (58) **Field of Classification Search**  
USPC ..... D21/736-746, 759; 473/324-331,  
473/340-341, 251-256  
See application file for complete search history.

*Primary Examiner* — Mitchell Siegel

(74) *Attorney, Agent, or Firm* — Rebecca Hanovice; Sonia Lari; Michael A. Catania

(57) **CLAIM**

The ornamental design for a putter head, as shown and described.

**DESCRIPTION**

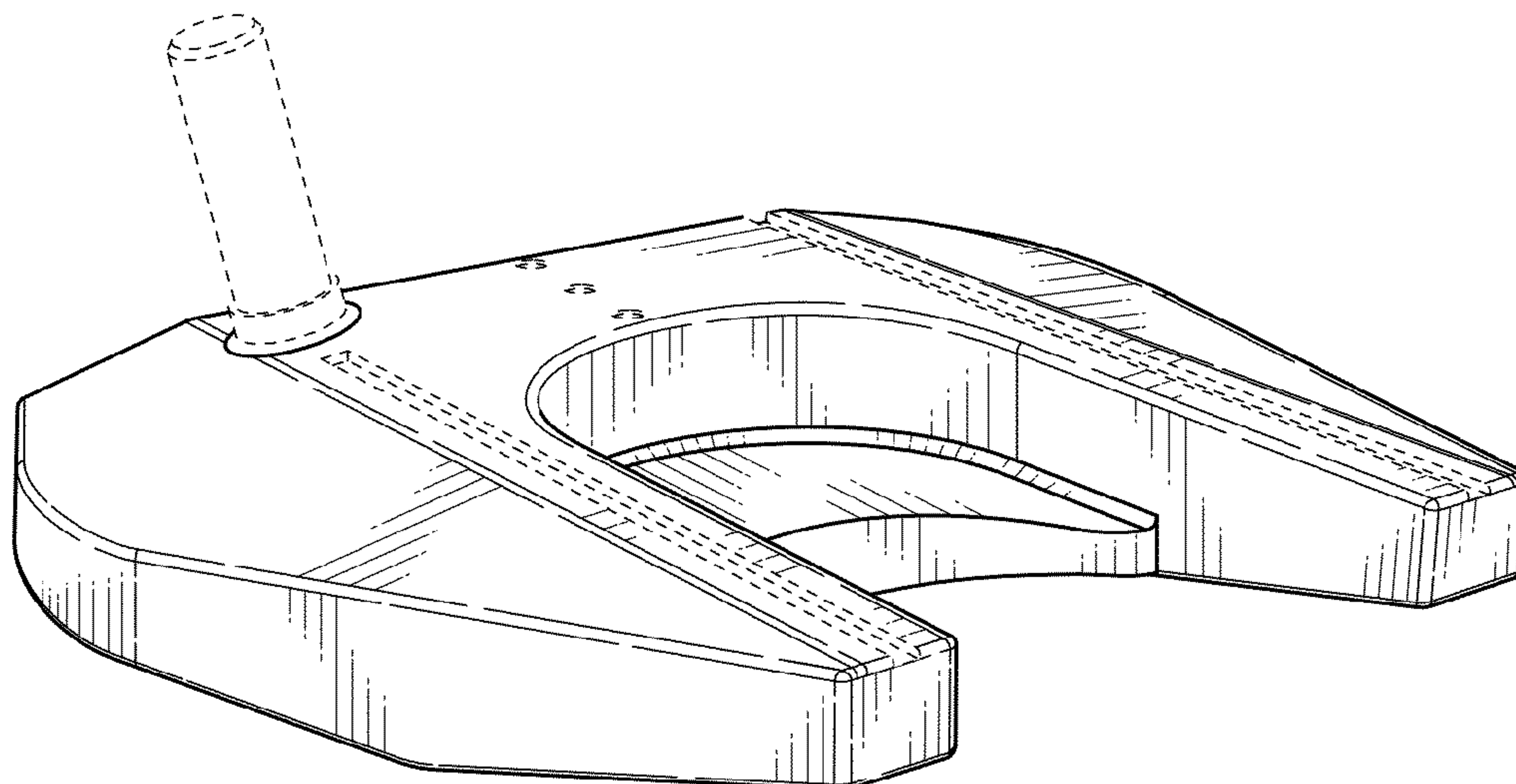
FIG. 1 is a rear perspective view of a putter head as claimed herein;  
 FIG. 2 is a right side view thereof;  
 FIG. 3 is a left side view thereof;  
 FIG. 4 is a front elevational view thereof;  
 FIG. 5 is a rear elevational view thereof;  
 FIG. 6 is a top plan view thereof; and,  
 FIG. 7 is a bottom plan view thereof.  
 The broken lines in the drawings illustrate unclaimed features of the putter head.

**1 Claim, 4 Drawing Sheets**

(56) **References Cited**

**U.S. PATENT DOCUMENTS**

D323,867 S *	2/1992	Rizzotto	.....	D21/740
D350,177 S *	8/1994	Ramirez et al.	.....	D21/745
D532,845 S *	11/2006	Rollinson	.....	D21/736
D568,954 S *	5/2008	Oldknow et al.	.....	D21/759
D573,673 S *	7/2008	Noyes	.....	D21/736
D574,908 S *	8/2008	Hettinger et al.	.....	D21/743
D582,497 S *	12/2008	Rollinson	.....	D21/744
D589,575 S *	3/2009	Kim et al.	.....	D21/744
D590,035 S *	4/2009	Hilton	.....	D21/744



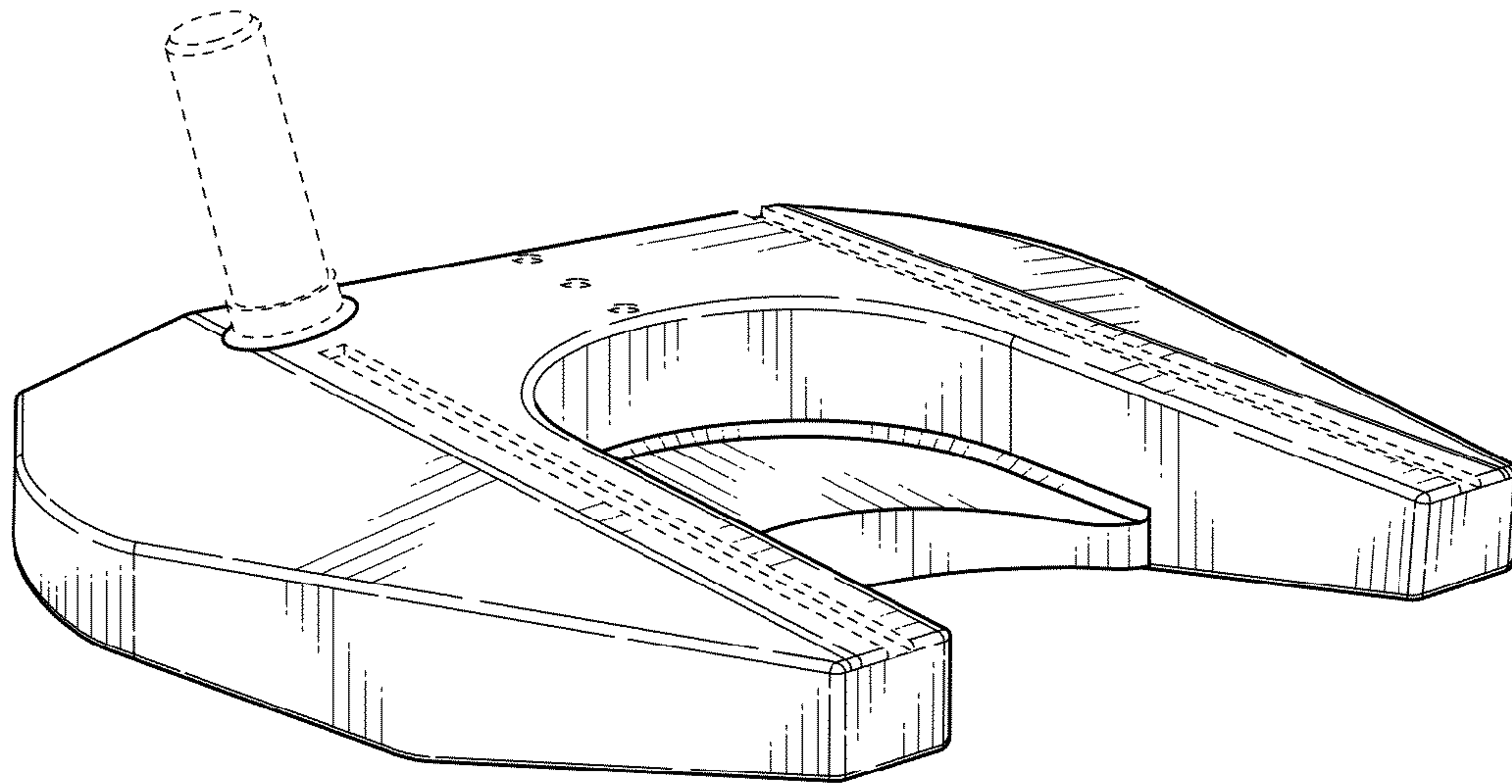


FIG. 1

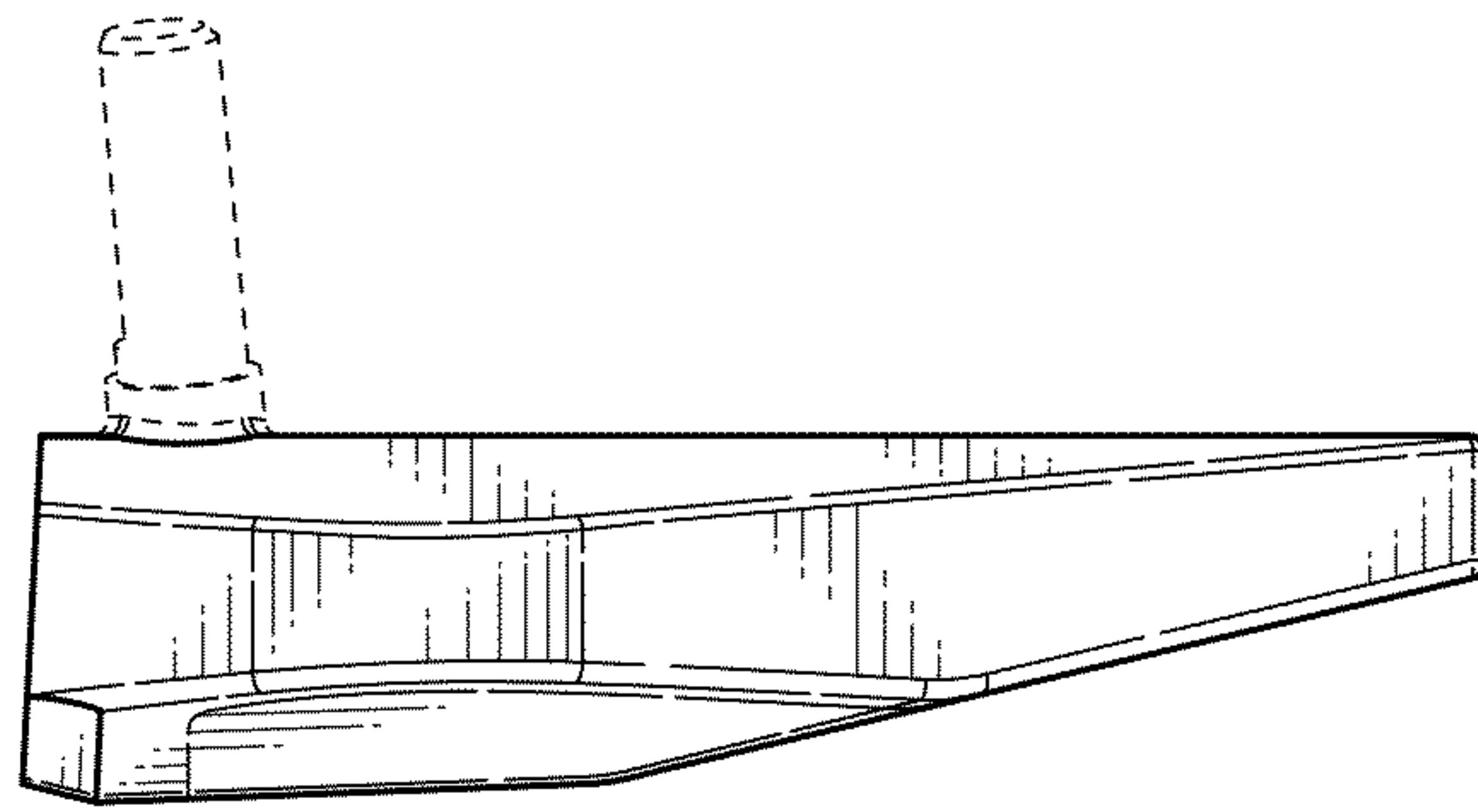


FIG. 2

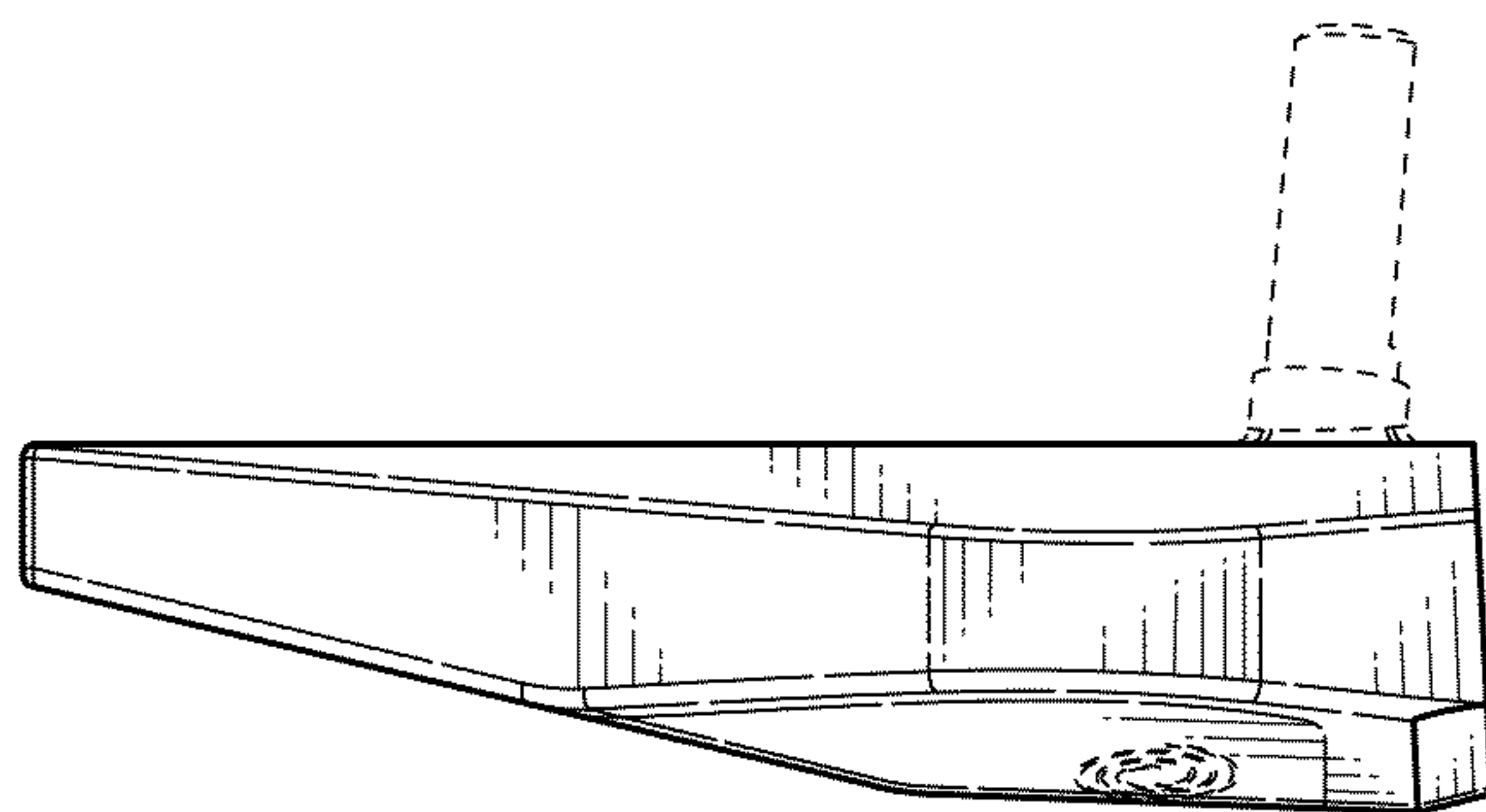


FIG. 3

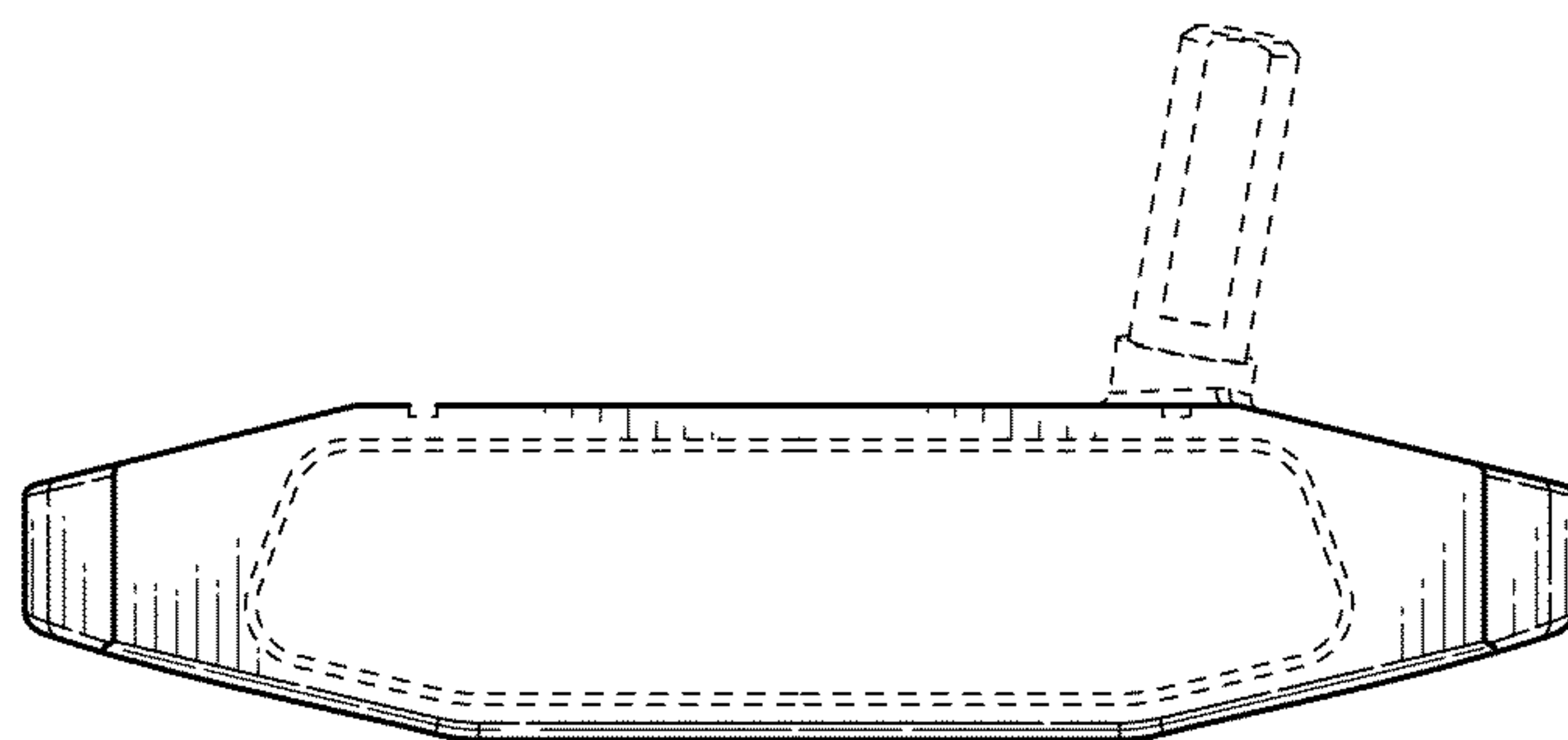


FIG. 4

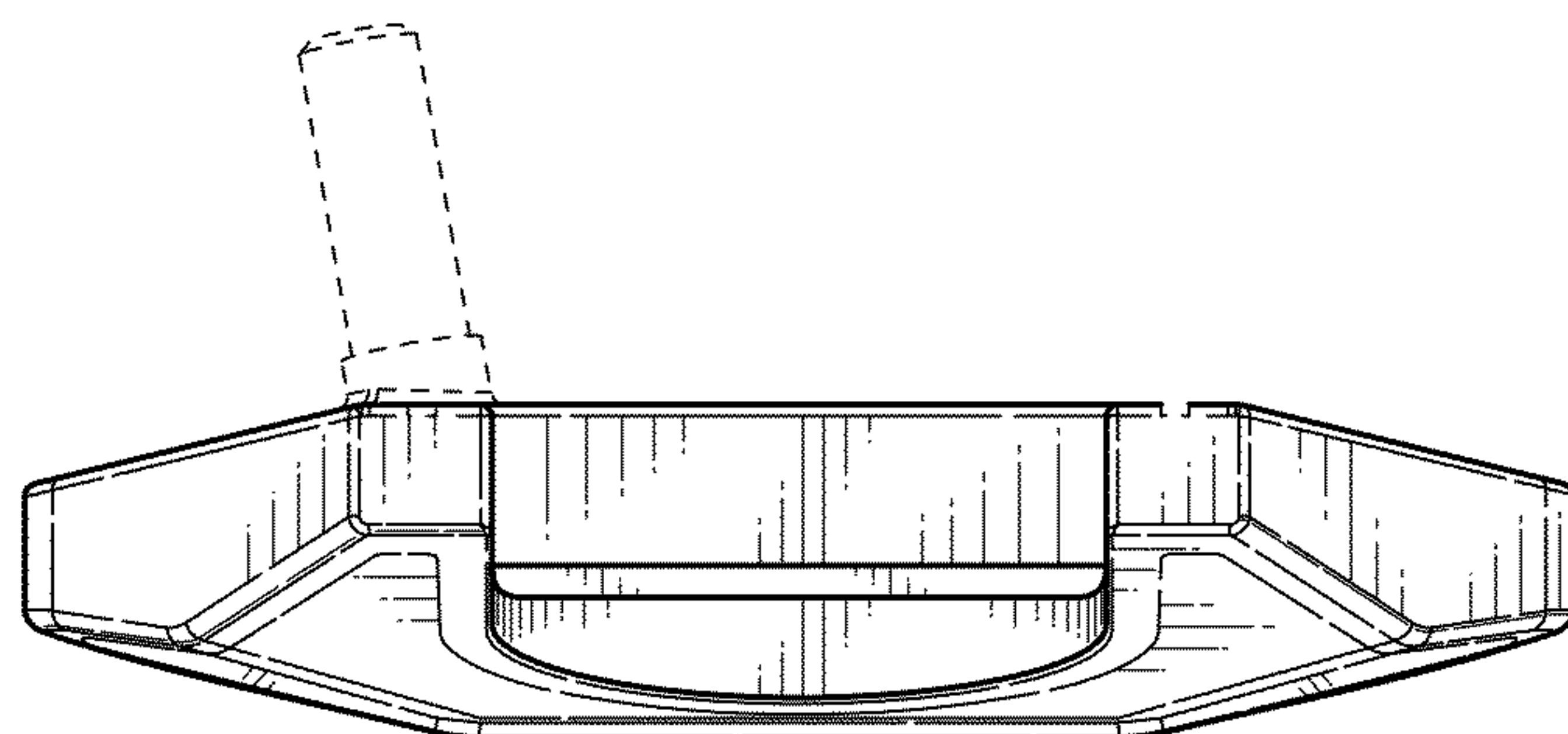


FIG. 5

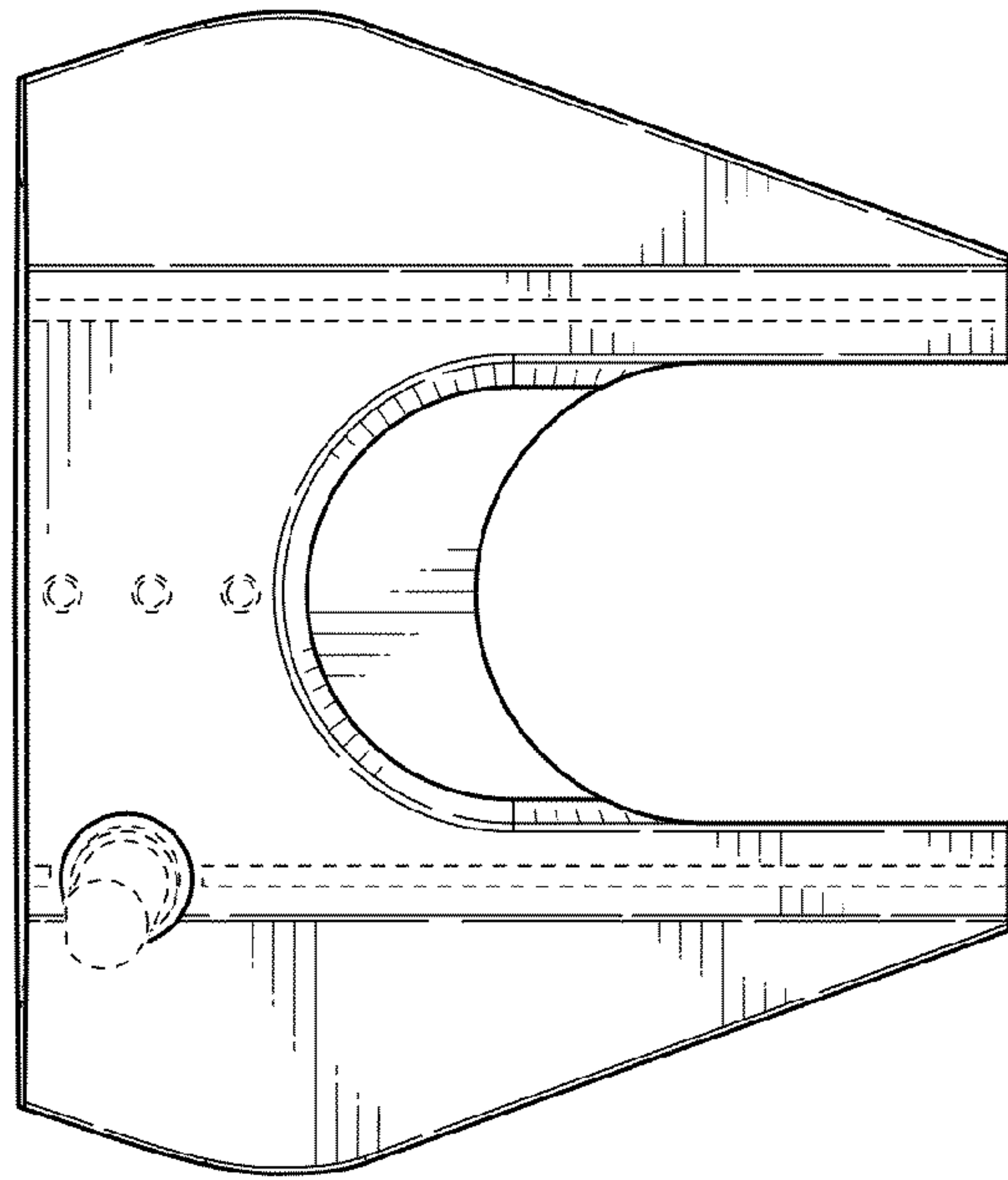


FIG. 6

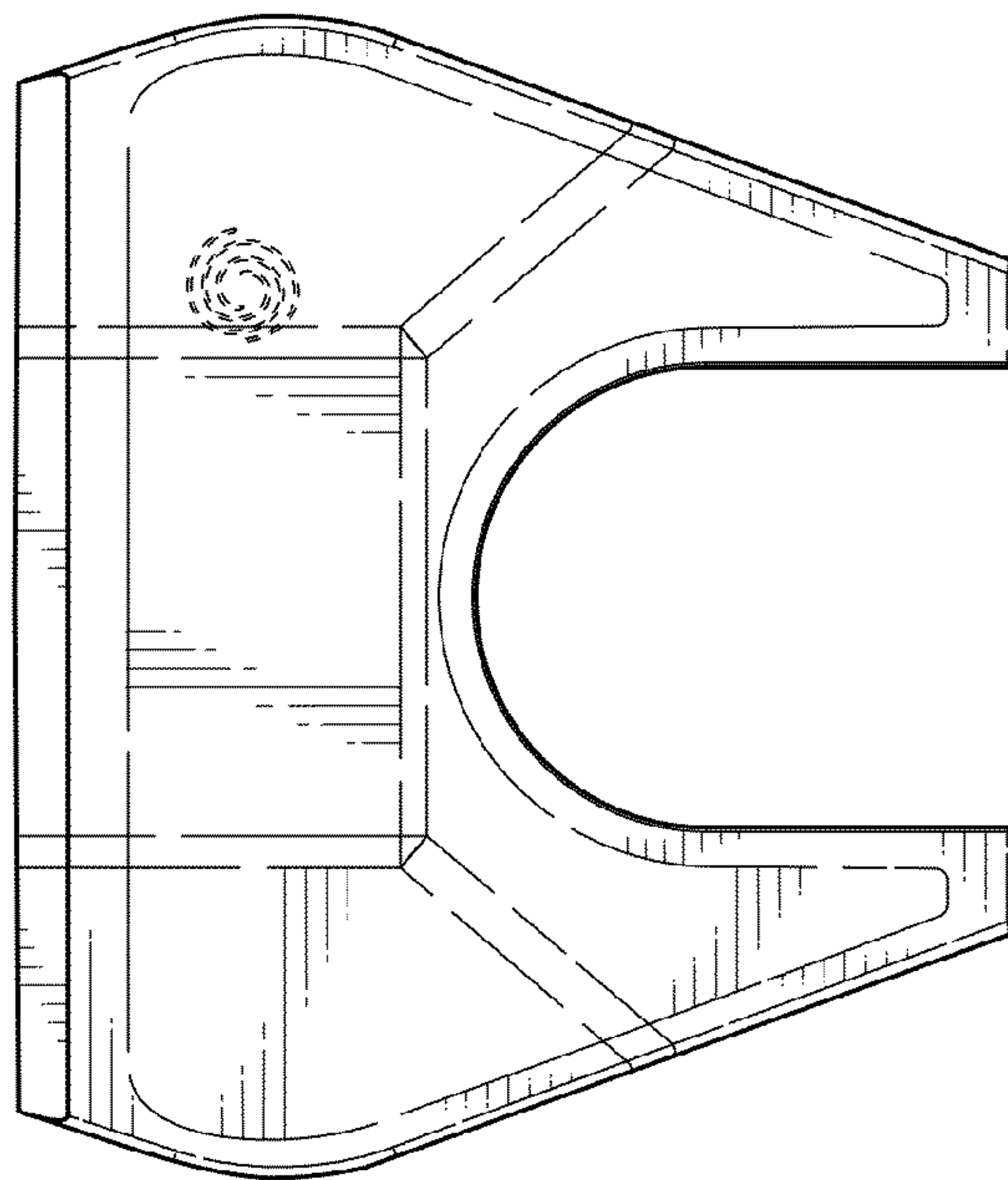


FIG. 7