

US00D731604S

(12) **United States Design Patent**
Romley

(10) **Patent No.:** **US D731,604 S**
(45) **Date of Patent:** **** Jun. 9, 2015**

- (54) **TABLE TENNIS PADDLE**
- (71) Applicant: **Michael Romley**, Phoenix, AZ (US)
- (72) Inventor: **Michael Romley**, Phoenix, AZ (US)
- (**) Term: **14 Years**
- (21) Appl. No.: **29/497,744**
- (22) Filed: **Jul. 28, 2014**
- (51) **LOC (10) Cl.** **21-02**
- (52) **U.S. Cl.**
USPC **D21/731**
- (58) **Field of Classification Search**
USPC D21/729-732
CPC A63B 59/04; A63B 59/185
See application file for complete search history.

D164,883 S *	10/1951	Schmid	D21/731
D168,192 S *	11/1952	Schmid	D21/731
D172,818 S *	8/1954	Bomse	D21/731
D249,733 S *	9/1978	Zabaldo	D21/731
D252,888 S *	9/1979	Jones	D21/731
8,894,516 B2 *	11/2014	Tillery	473/527

* cited by examiner

Primary Examiner — Mitchell Siegel
(74) *Attorney, Agent, or Firm* — Venjuris, P.C.

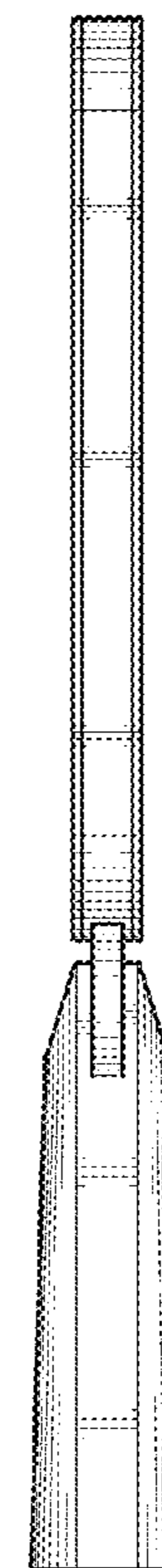
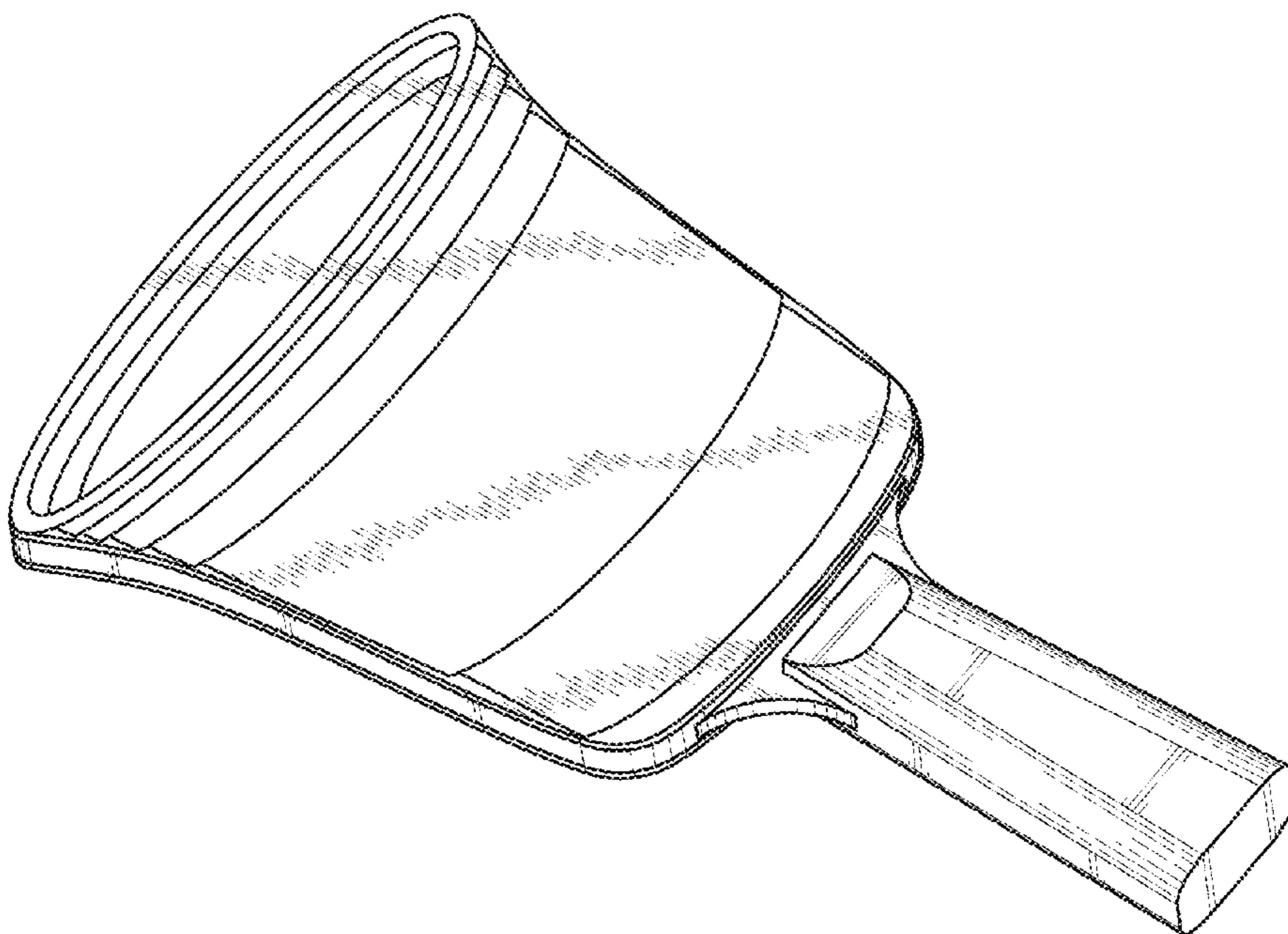
(57) **CLAIM**
The ornamental design for a table tennis paddle, as shown and described.

DESCRIPTION

FIG. 1 is a top front perspective view of a table tennis paddle embodying the new design;
FIG. 2 is a front/back view of the table tennis paddle of FIG. 1;
FIG. 3 is a side view of the table tennis paddle of FIG. 1;
FIG. 4 is a top view of the table tennis paddle of FIG. 1; and,
FIG. 5 is a bottom view of the table tennis paddle of FIG. 1.

1 Claim, 3 Drawing Sheets

- (56) **References Cited**
U.S. PATENT DOCUMENTS
1,961,473 A * 6/1934 Baltzley 473/529
1,986,154 A * 1/1935 Marks 473/527
D103,243 S * 2/1937 Magnus D21/731



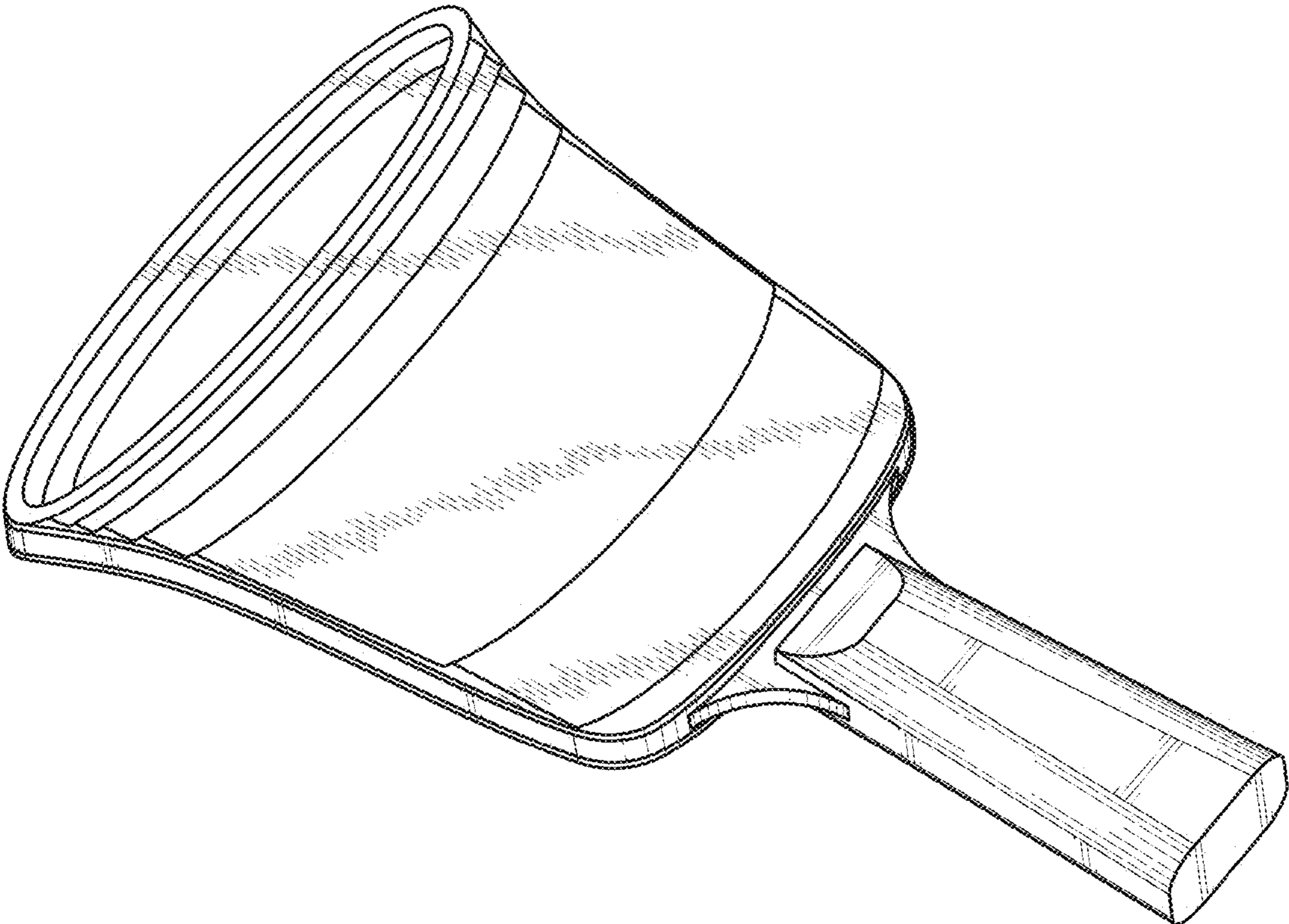


FIG. 1

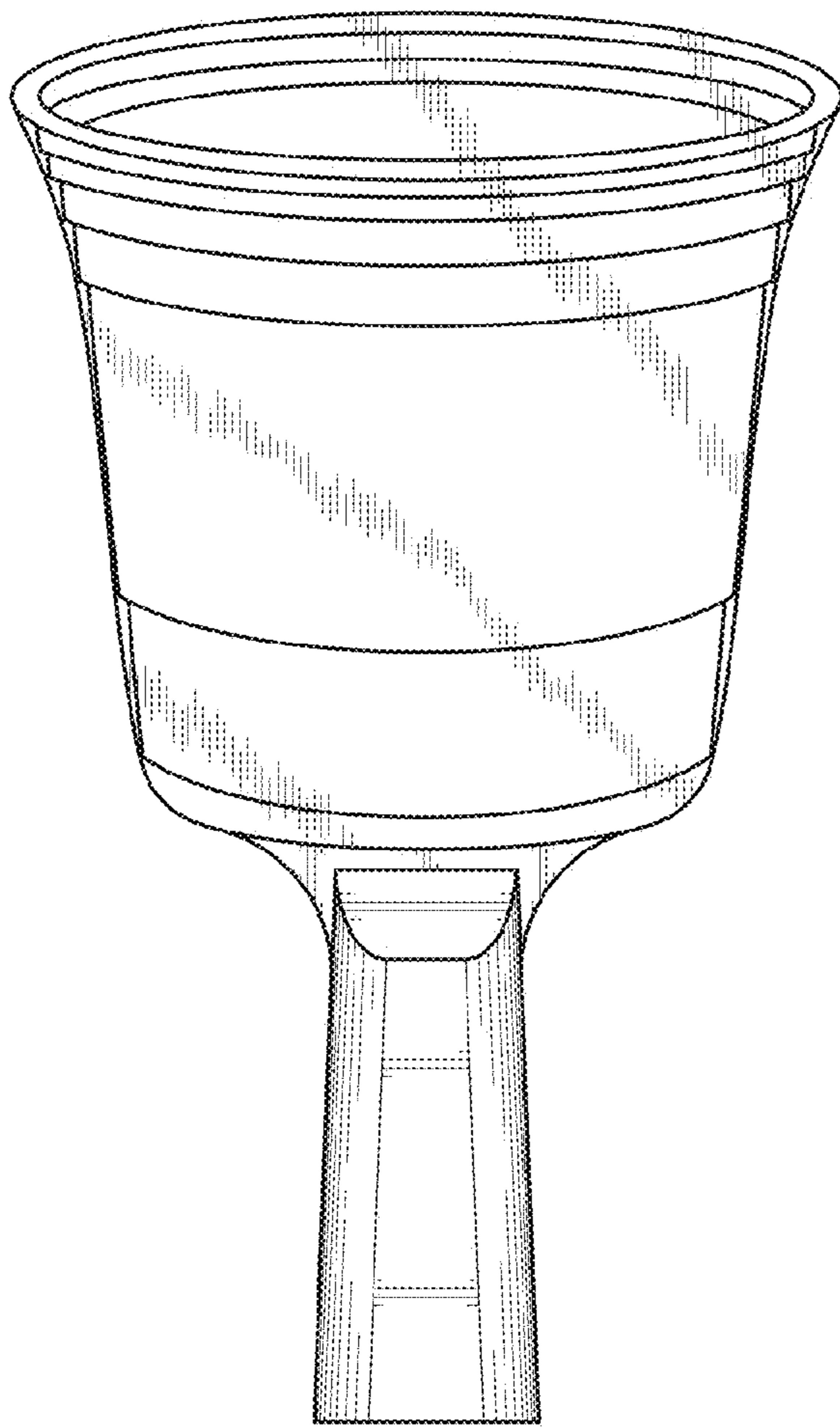


FIG. 2

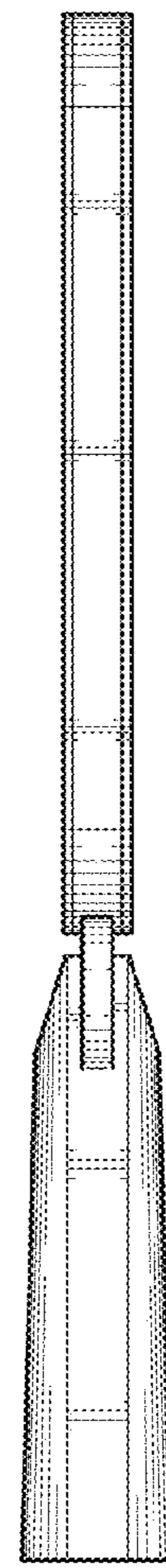


FIG. 3

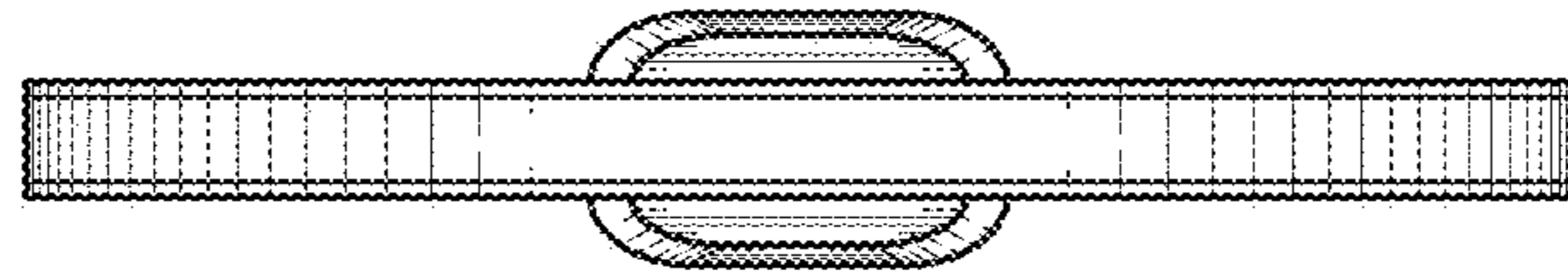


FIG. 4

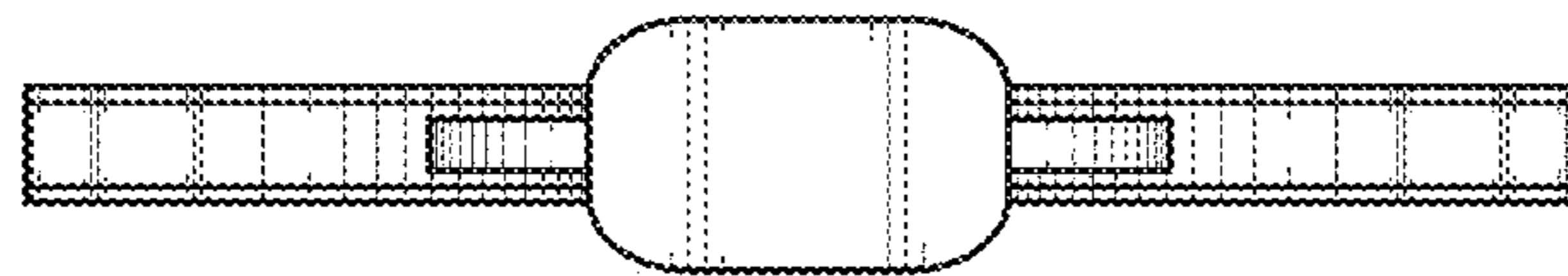


FIG. 5