



US00D731603S

(12) **United States Design Patent**  
**Blonk**

(10) **Patent No.:** **US D731,603 S**  
(45) **Date of Patent:** **\*\* Jun. 9, 2015**

- (54) **SPORTS STICK**
- (71) Applicant: **Stefanus Petrus Cornelis Maria Blonk**,  
Breda (NL)
- (72) Inventor: **Stefanus Petrus Cornelis Maria Blonk**,  
Breda (NL)
- (73) Assignee: **YOU.FO Intellectual Property Holding**  
**B.V.**, Amsterdam (NL)
- (\*\*) Term: **14 Years**
- (21) Appl. No.: **29/471,139**
- (22) Filed: **Oct. 29, 2013**
- (51) **LOC (10) Cl.** ..... **21-02**
- (52) **U.S. Cl.**  
USPC ..... **D21/722**
- (58) **Field of Classification Search**  
USPC ..... **D21/722, 723; 473/505, 513**  
See application file for complete search history.

D634,489	S *	3/2011	Page et al. ....	D21/722
8,092,323	B2 *	1/2012	Rigoli .....	473/513
D655,359	S *	3/2012	Thorogood .....	D21/722
D666,686	S *	9/2012	Burger .....	D21/722
D702,780	S *	4/2014	Marion .....	D21/722
D706,884	S *	6/2014	Saber et al. ....	D21/722

**FOREIGN PATENT DOCUMENTS**

DE	329699	12/1920
GB	2193649	2/1988
GB	2226771	7/1990
WO	9734674	9/1997

\* cited by examiner

*Primary Examiner* — Mitchell Siegel  
(74) *Attorney, Agent, or Firm* — Schroeder Law PC

(57) **CLAIM**  
The ornamental design for a sports stick, as shown and described.

**DESCRIPTION**

FIG. 1 is a rear perspective view of a sports stick showing my new design;  
FIG. 2 is a rear view thereof;  
FIG. 3 is a bottom view thereof;  
FIG. 4 is a front view thereof;  
FIG. 5 is a left side view thereof;  
FIG. 6 is a right side view thereof; and,  
FIG. 7 is a top view thereof.  
The structural elements depicted by broken lines have been shown for the purposes of illustrating portions of the sports stick that form no part of the claimed design.

**1 Claim, 7 Drawing Sheets**

- (56) **References Cited**
- U.S. PATENT DOCUMENTS**
- 1,529,851 A 3/1925 Smithson
- 2,085,610 A 2/1935 Schrickel
- 2,127,433 A 8/1938 Sky
- 2,690,339 A 9/1954 Hall
- D249,079 S \* 8/1978 Soderman et al. .... D21/723
- D296,918 S \* 7/1988 Kirk ..... D21/723
- 5,522,597 A 6/1996 Hanks
- 6,338,687 B1 1/2002 Thompson
- 7,485,054 B2 \* 2/2009 Rigoli ..... 473/513

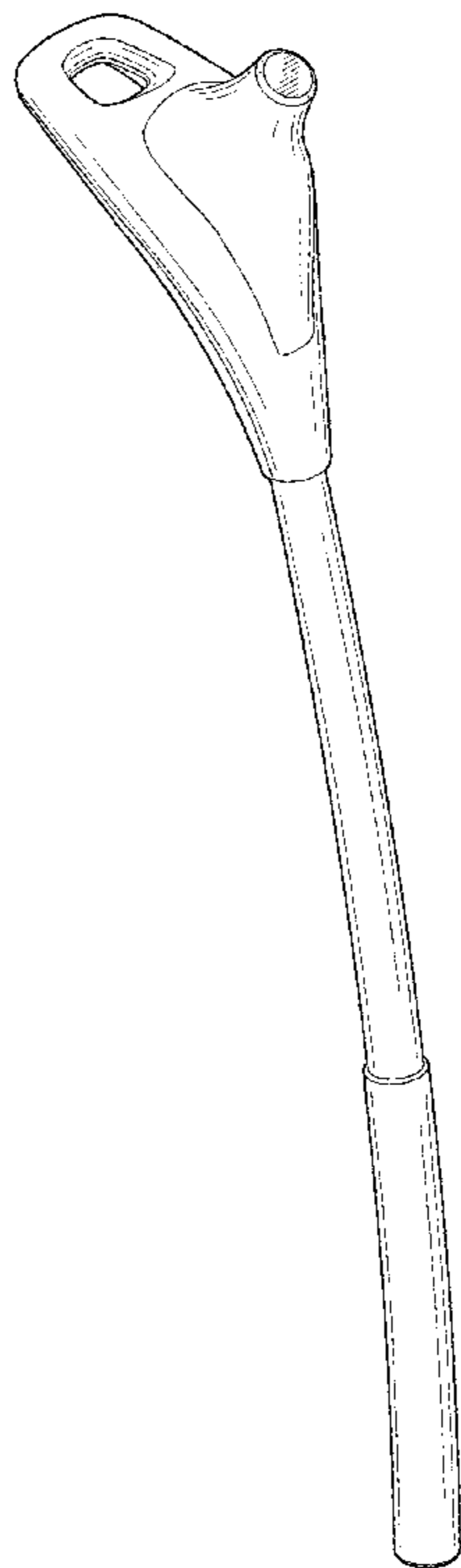


Fig. 1

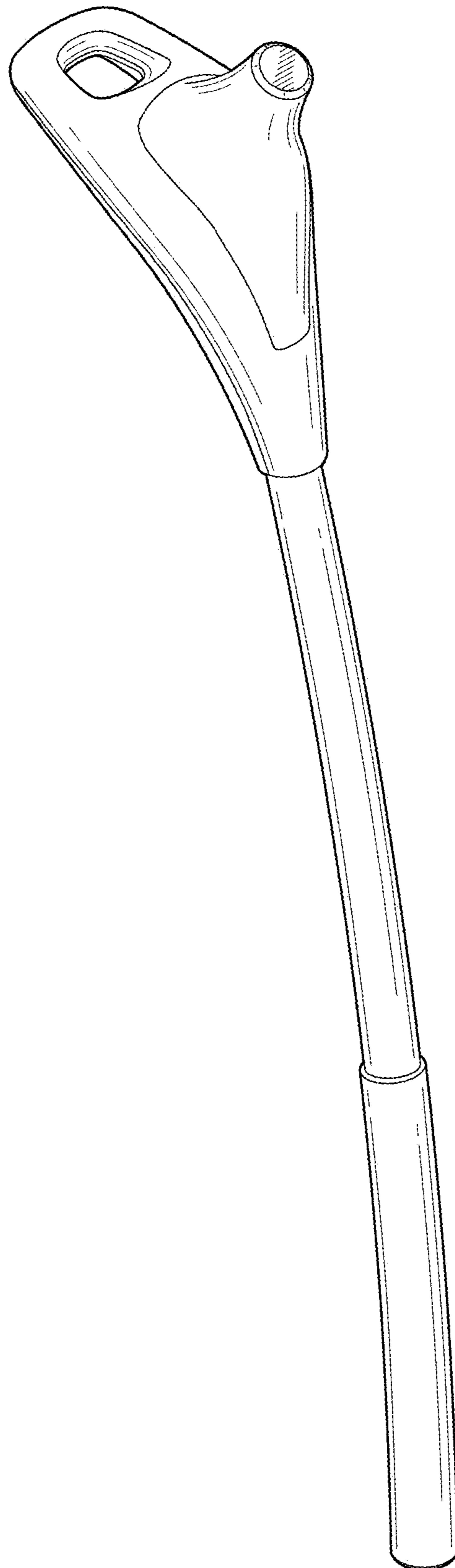


Fig. 2

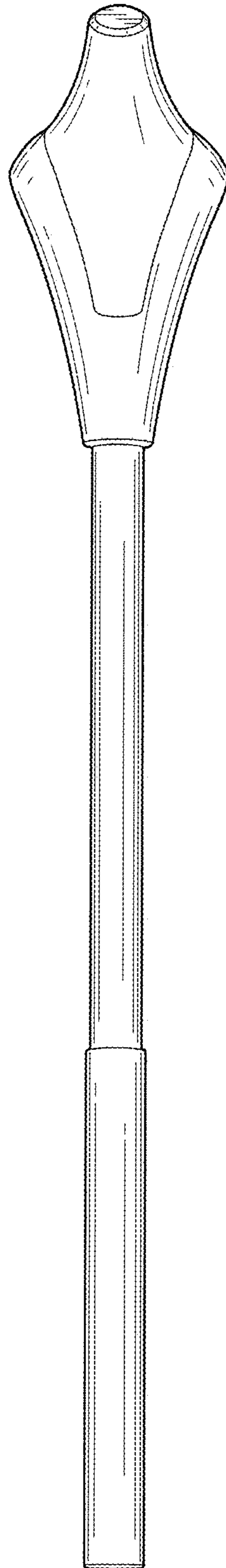


Fig. 3

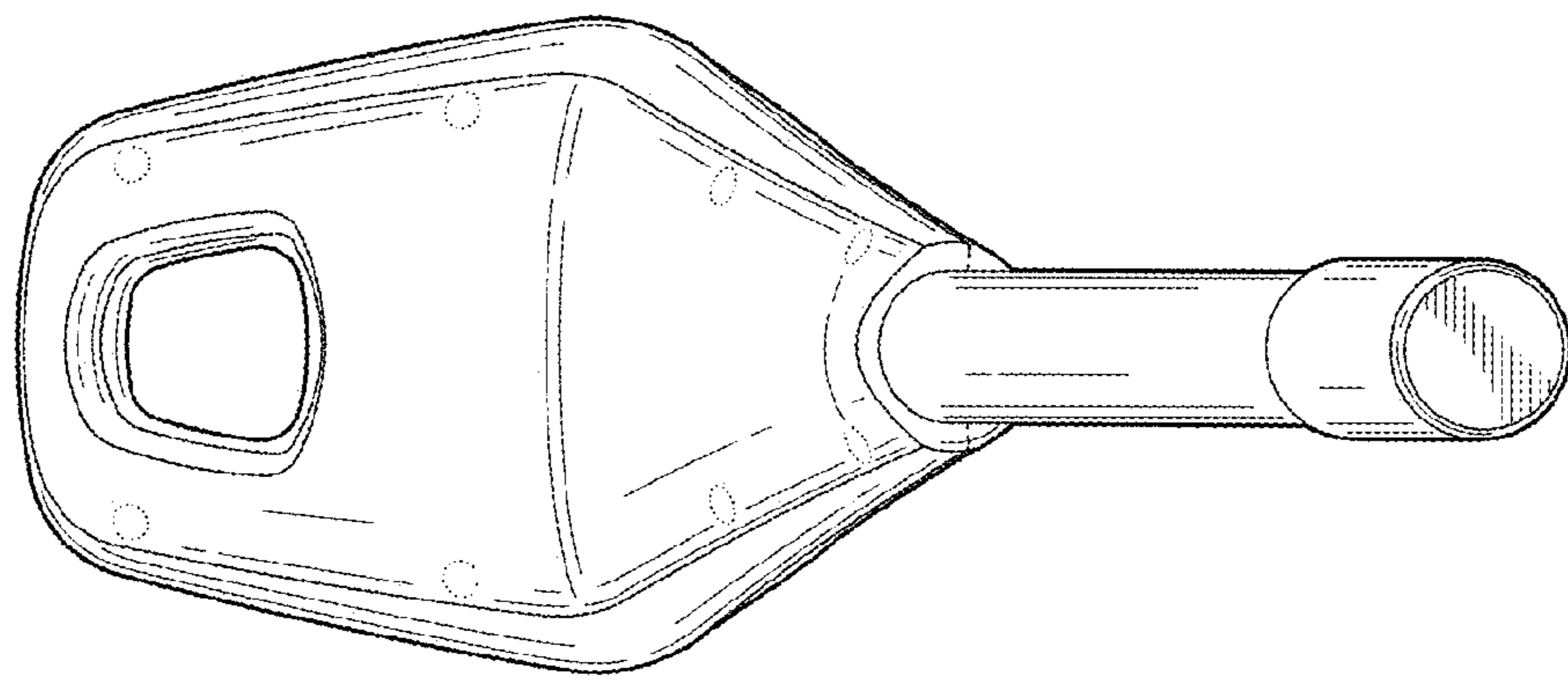


Fig. 4

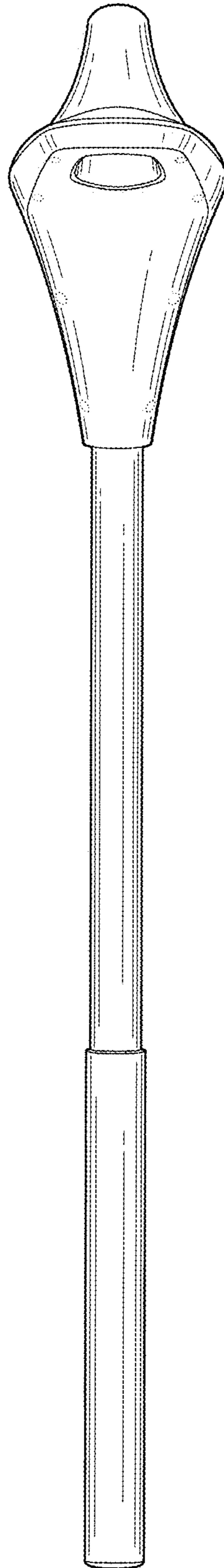


Fig. 5

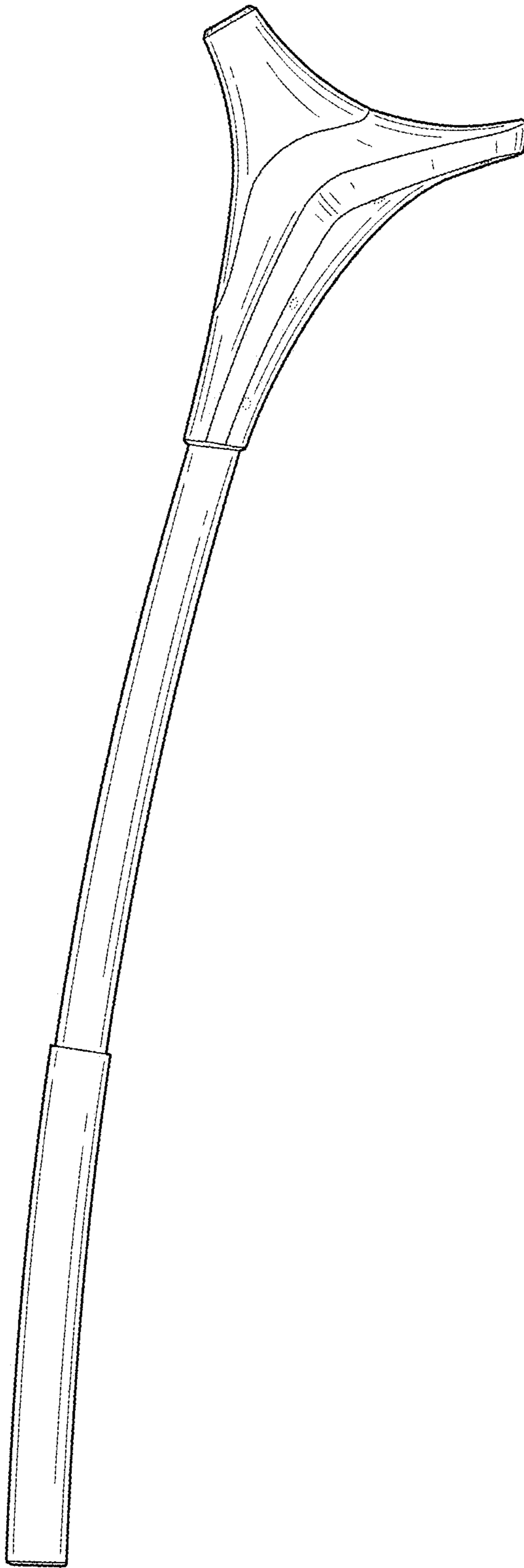


Fig. 6

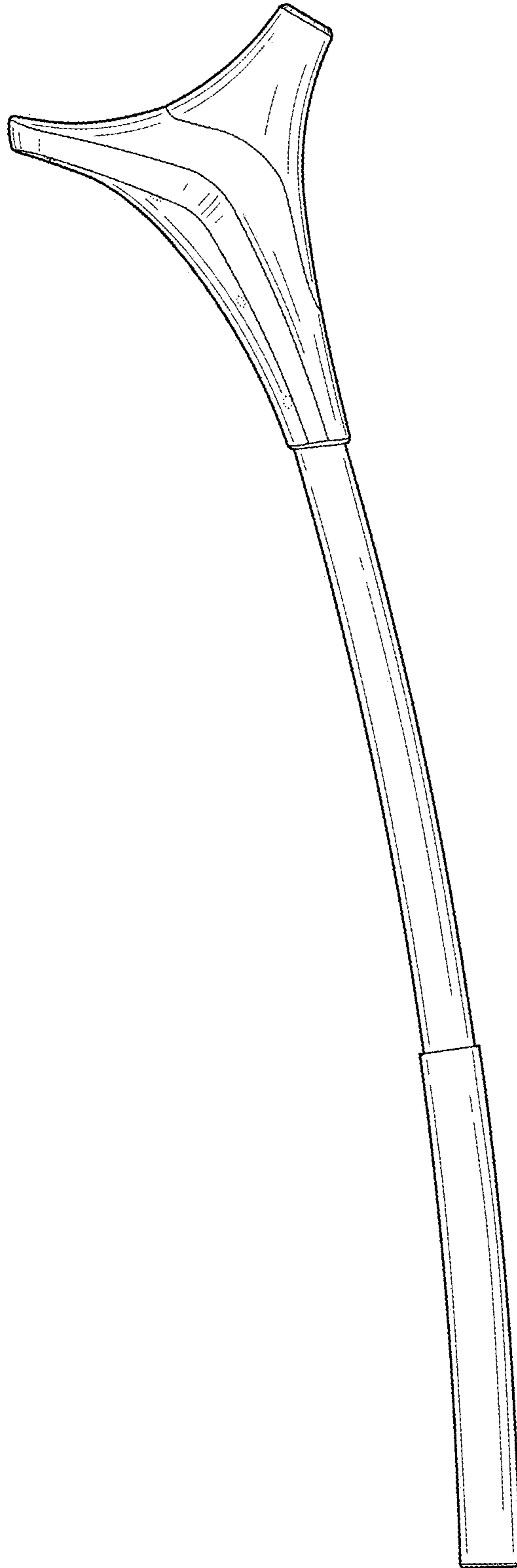


Fig. 7

