



US00D731599S

(12) **United States Design Patent**
Pilgaard

(10) **Patent No.:** **US D731,599 S**

(45) **Date of Patent:** **** Jun. 9, 2015**

(54) **PLATE ELEMENT FOR A CONSTRUCTION SET**

(56) **References Cited**

U.S. PATENT DOCUMENTS

(71) Applicant: **LEGO A/S**, Billund (DK)
(72) Inventor: **Pia Pilgaard**, Skanderborg (DK)
(73) Assignee: **LEGO A/S**, Billund (DK)
(**) Term: **14 Years**
(21) Appl. No.: **29/492,071**
(22) Filed: **May 28, 2014**

D169,482	S	*	5/1953	Henke et al.	D21/480
4,699,602	A	*	10/1987	Giorgi	446/124
4,968,040	A	*	11/1990	McElhaney	273/294
D314,829	S	*	2/1991	Brock	D25/113
4,990,116	A	*	2/1991	Chen	446/124
5,496,129	A	*	3/1996	Dube	404/29
5,868,388	A	*	2/1999	Wood et al.	273/157 R
D407,765	S	*	4/1999	Zheng	D21/491
D500,908	S	*	1/2005	Hare et al.	D21/386
D503,954	S	*	4/2005	Balanchi	D21/489
D513,628	S	*	1/2006	Andersen	D21/404
D545,922	S	*	7/2007	Glickman et al.	D21/484
D566,201	S	*	4/2008	Glickman et al.	D21/484

* cited by examiner

(30) **Foreign Application Priority Data**

Nov. 28, 2013 (EM) 002353268

(51) **LOC (10) Cl.** **21-01**

(52) **U.S. Cl.**
USPC **D21/504**

(58) **Field of Classification Search**
USPC D21/386, 478, 479, 484, 485-505;
446/69, 85, 102-128; 434/208, 259,
434/403; 273/153, 156, 160; 428/174
CPC A63H 33/00; A63H 33/04; A63H 33/06;
A63H 33/08; A63H 33/10; A63H 33/12;
A63H 33/14; A63F 9/08; A63F 9/12; G09B
1/36

See application file for complete search history.

Primary Examiner — Cynthia M Chin

(74) *Attorney, Agent, or Firm* — Day Pitney LLP

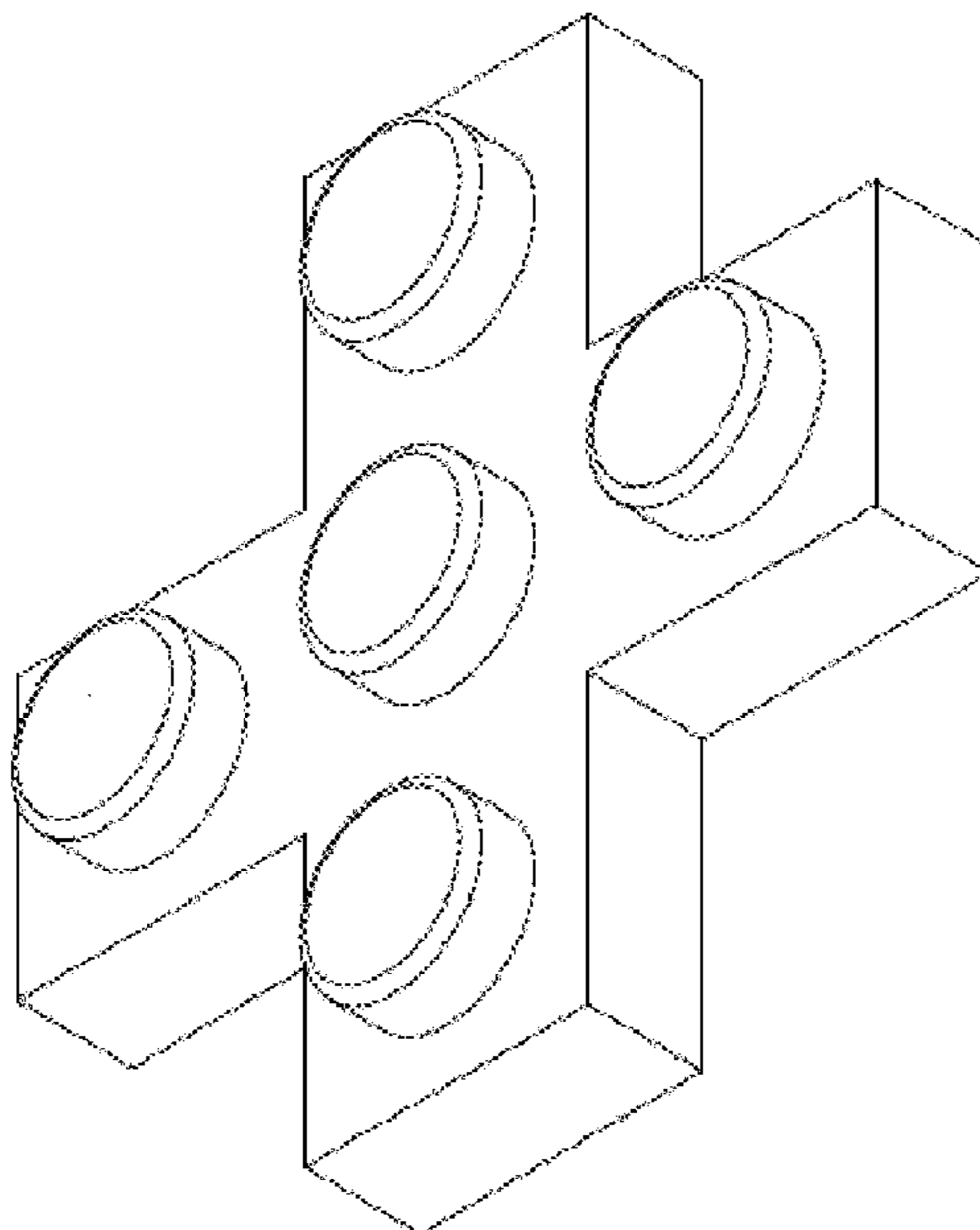
(57) **CLAIM**

The ornamental design for a plate element for a construction set, as shown and described.

DESCRIPTION

FIG. 1 is a top perspective view of my ornamental design for a plate element for a construction set;
FIG. 2 is a top plan view thereof;
FIG. 3 is a front plan view thereof;
FIG. 4 is right side view thereof;
FIG. 5 is a left side view thereof;
FIG. 6 is a back side view thereof; and,
FIG. 7 is a bottom plan view thereof.
The broken lines in FIG. 7 are for environmental purposes only and form no part of the claimed design.

1 Claim, 7 Drawing Sheets



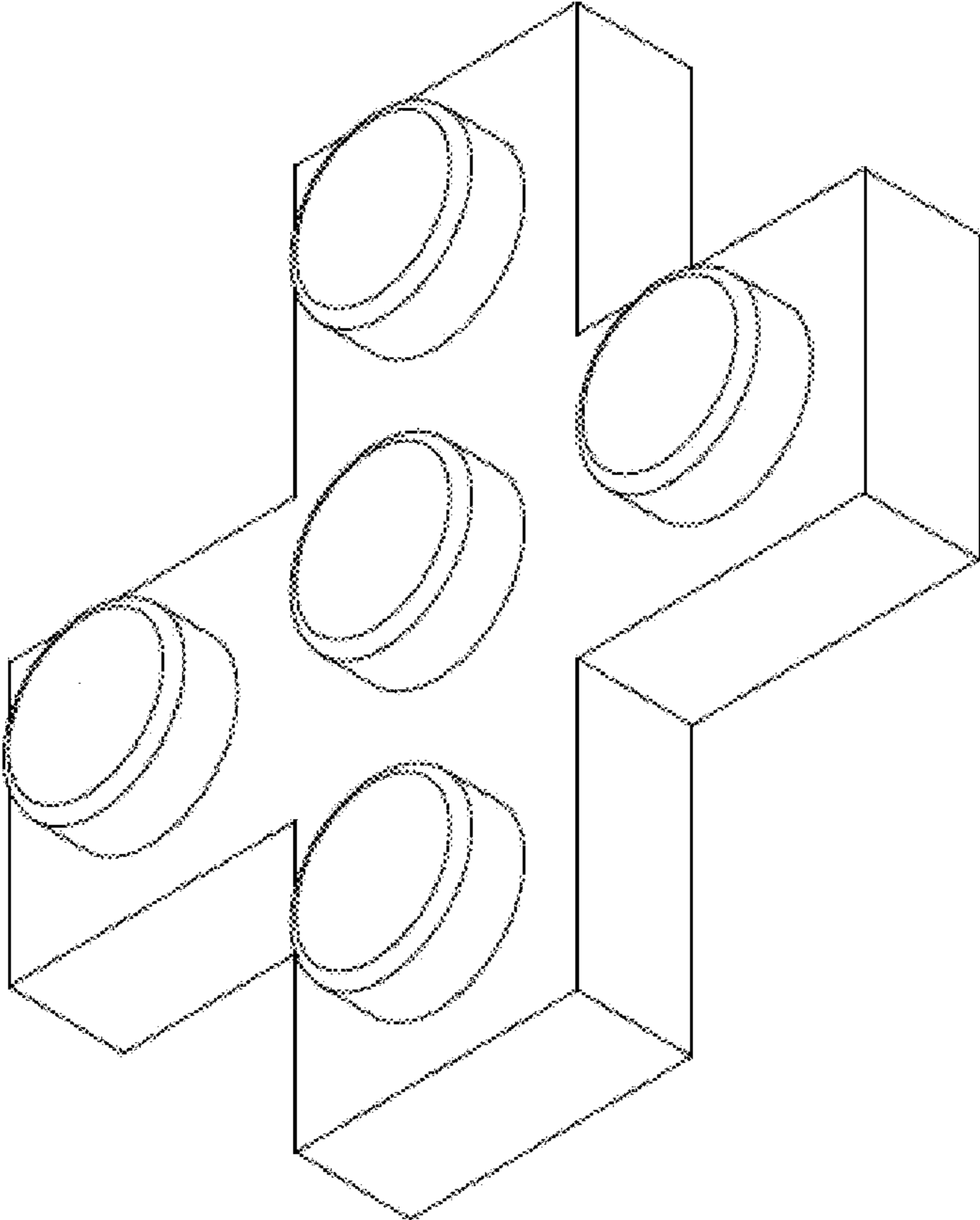


FIG. 1

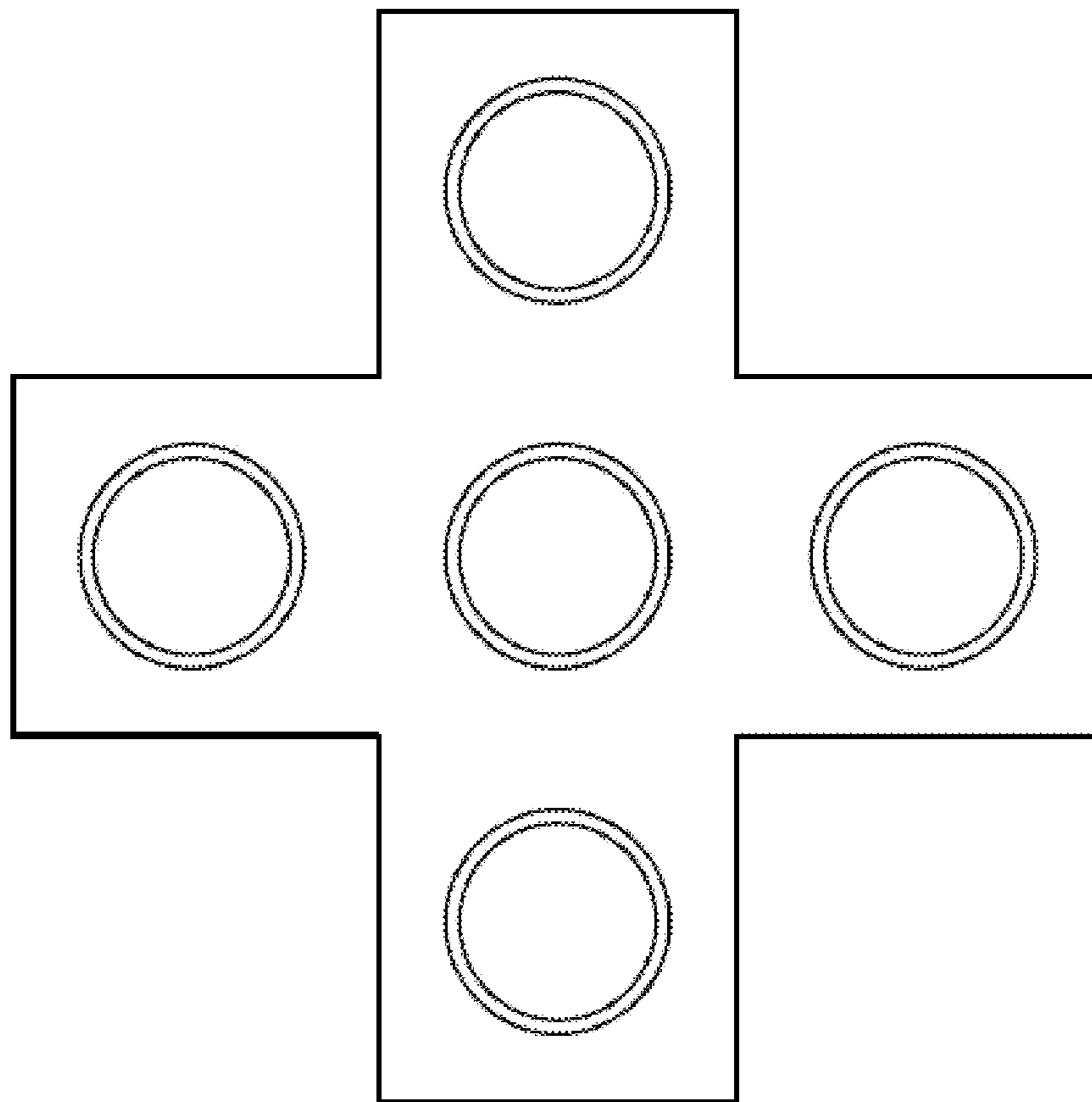


FIG. 2

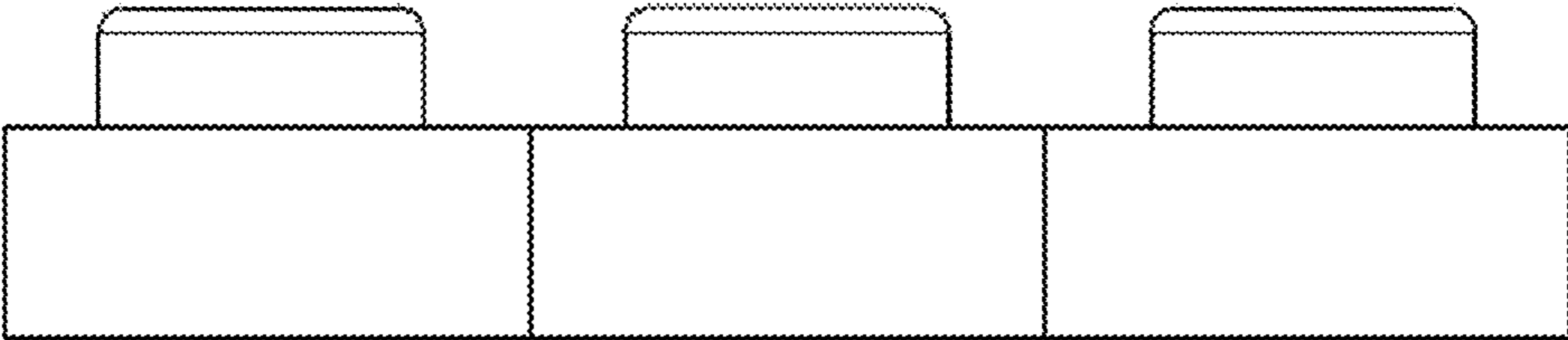


FIG. 3

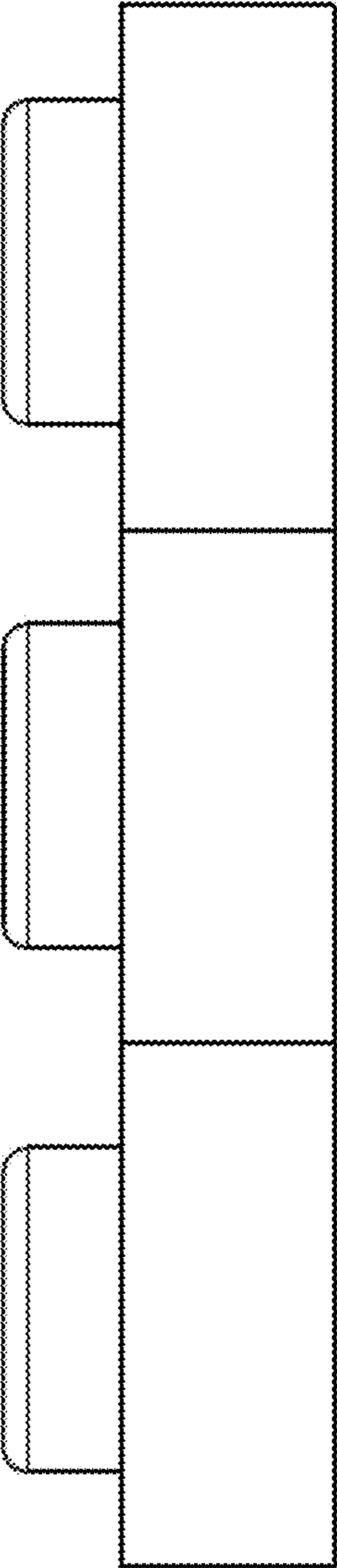


FIG. 4

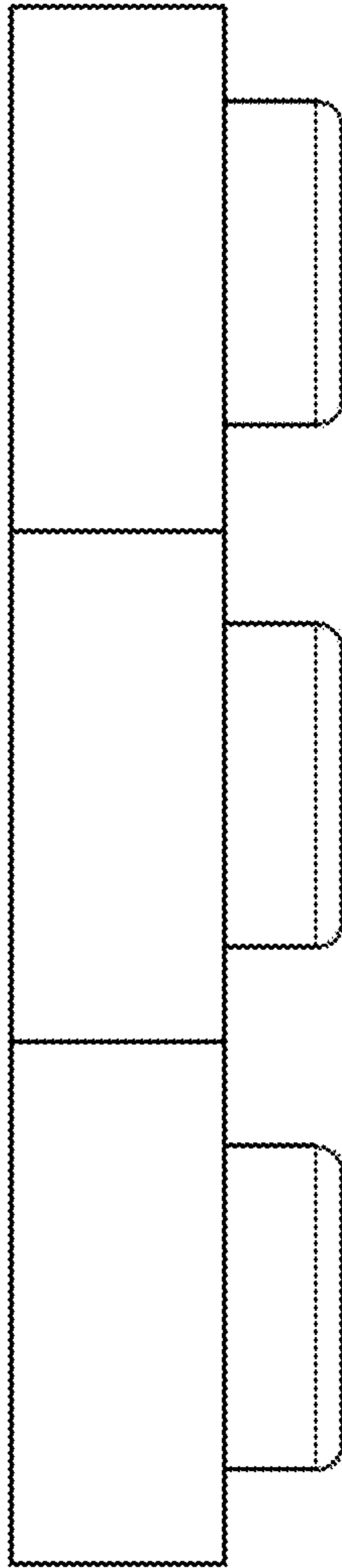


FIG. 5

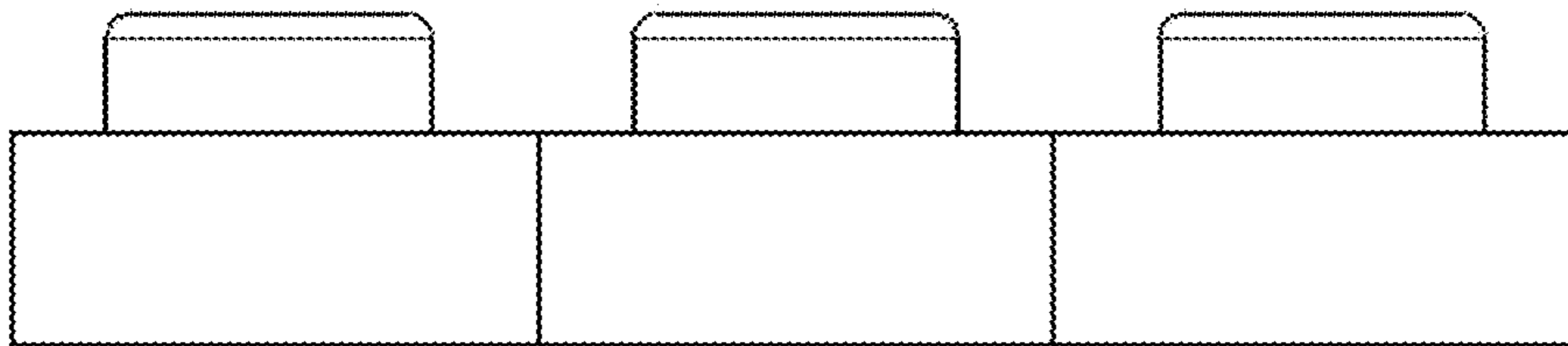


FIG. 6

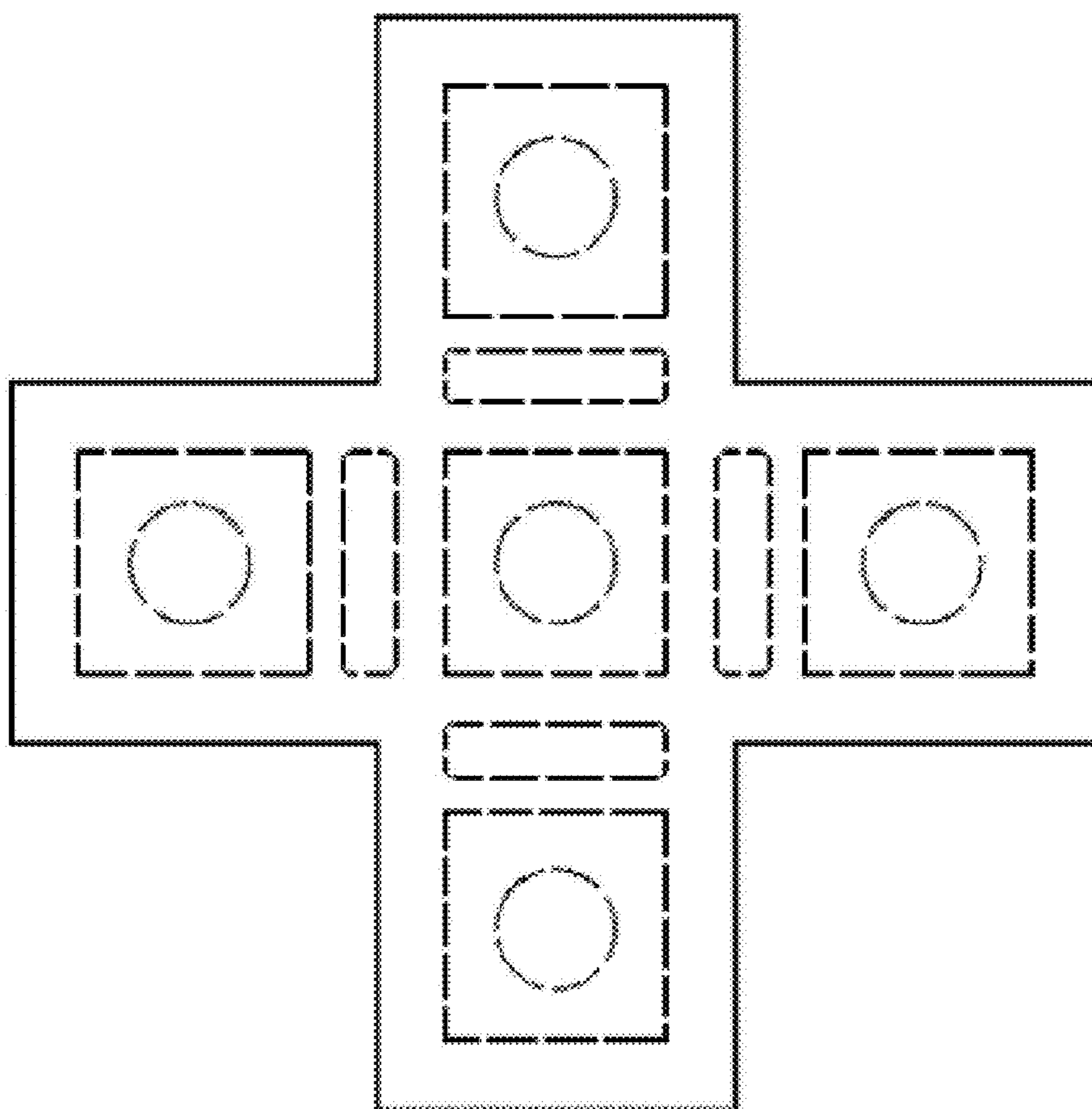


FIG. 7