



US00D731598S

(12) **United States Design Patent**
Skov

(10) **Patent No.:** **US D731,598 S**
(45) **Date of Patent:** **** Jun. 9, 2015**

(54) **PLATE ELEMENT FOR A CONSTRUCTION SET**

(71) Applicant: **LEGO A/S**, Billund (DK)
(72) Inventor: **Torben Kidde Skov**, Vejle (DK)
(73) Assignee: **LEGO A/S**, Billund (DK)
(**) Term: **14 Years**

(21) Appl. No.: **29/492,068**
(22) Filed: **May 28, 2014**

(30) **Foreign Application Priority Data**

Nov. 28, 2013 (EM) 002353268

(51) **LOC (10) Cl.** **21-01**
(52) **U.S. Cl.**
USPC **D21/504**

(58) **Field of Classification Search**
USPC D21/484, 485, 486, 488, 489, 491, 494,
D21/495, 499, 500-504; 446/69, 85,
446/102-128; 434/208, 259, 403; 273/153,
273/156, 160; 428/174; D25/113-116, 118
CPC A63H 33/00; A63H 3/04; A63H 3/06;
A63H 3/08; A63H 3/10; A63H 3/12; A63H
3/14; A63F 9/08; A63F 9/12; G09B 1/36
See application file for complete search history.

(56) **References Cited**

U.S. PATENT DOCUMENTS

D279,697 S *	7/1985	Tapdrup	D21/502
D327,518 S *	6/1992	Pagel	D21/502
D411,263 S *	6/1999	Korsholm	D21/502
D412,947 S *	8/1999	Raundahl	D21/503
D415,216 S *	10/1999	Krog	D21/502
D544,551 S *	6/2007	Morimura	D21/504

* cited by examiner

Primary Examiner — Cynthia M Chin

(74) *Attorney, Agent, or Firm* — Day Pitney LLP

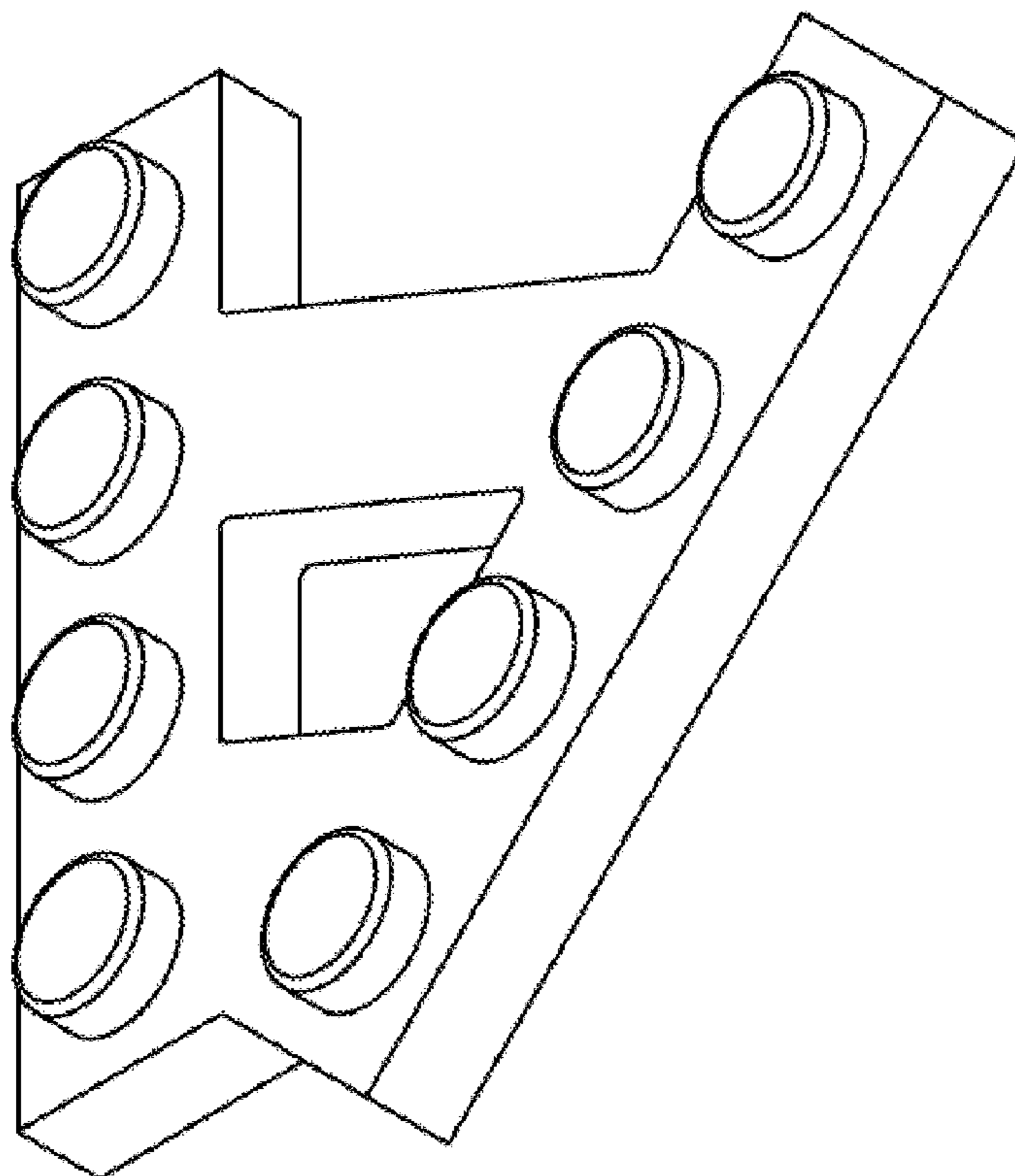
(57) **CLAIM**

The ornamental design for a plate element for a construction set, as shown and described.

DESCRIPTION

FIG. 1 is a top perspective view of my ornamental design for a plate element for a construction set; FIG. 2 is a top plan view thereof; FIG. 3 is a front plan view thereof; FIG. 4 is a right side view thereof; FIG. 5 is a left side view thereof; FIG. 6 is a back side view thereof; and, FIG. 7 is a bottom plan view thereof. The broken lines in FIG. 7 are for environmental purposes only and form no part of the claimed design.

1 Claim, 7 Drawing Sheets



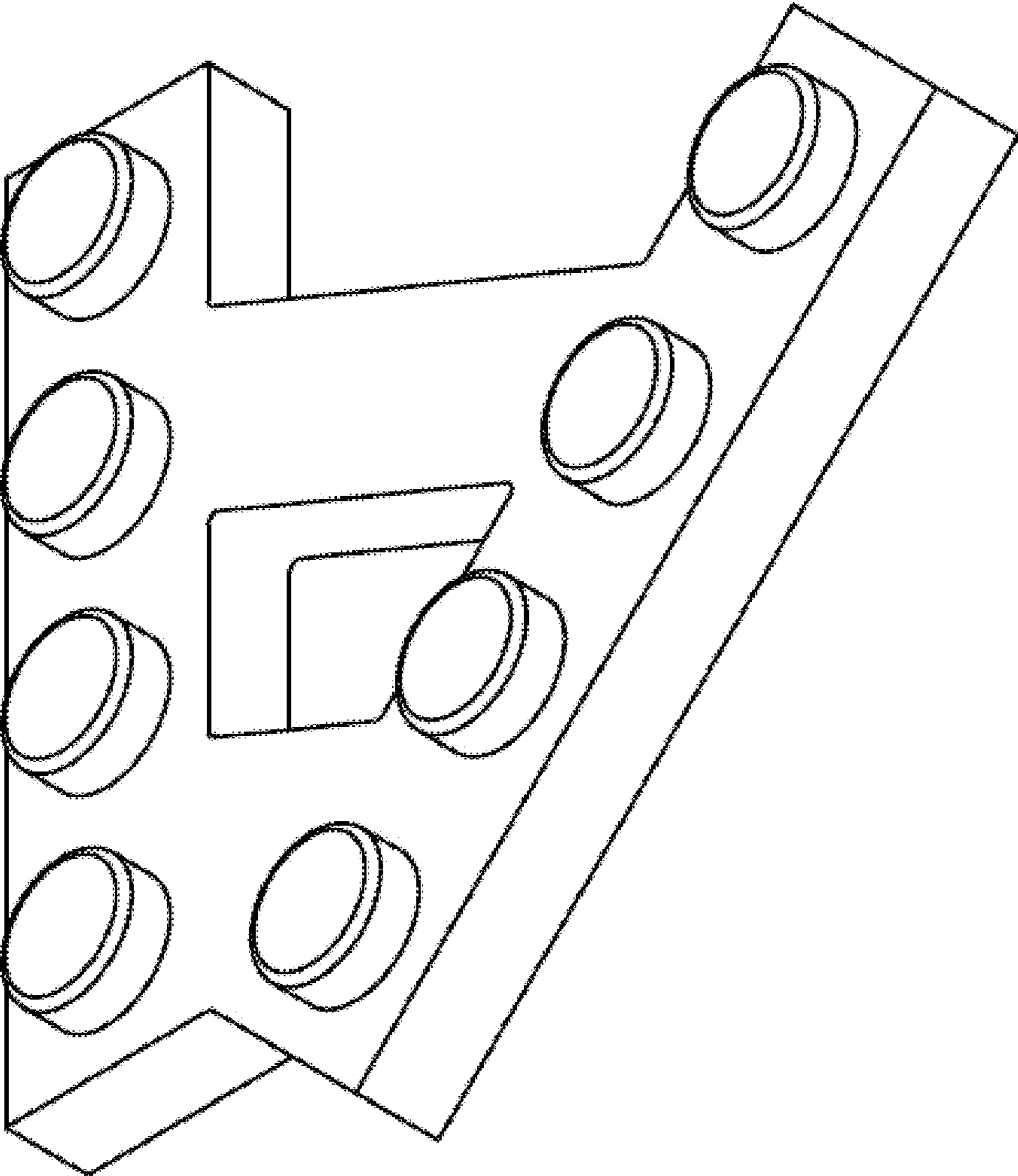


FIG. 1

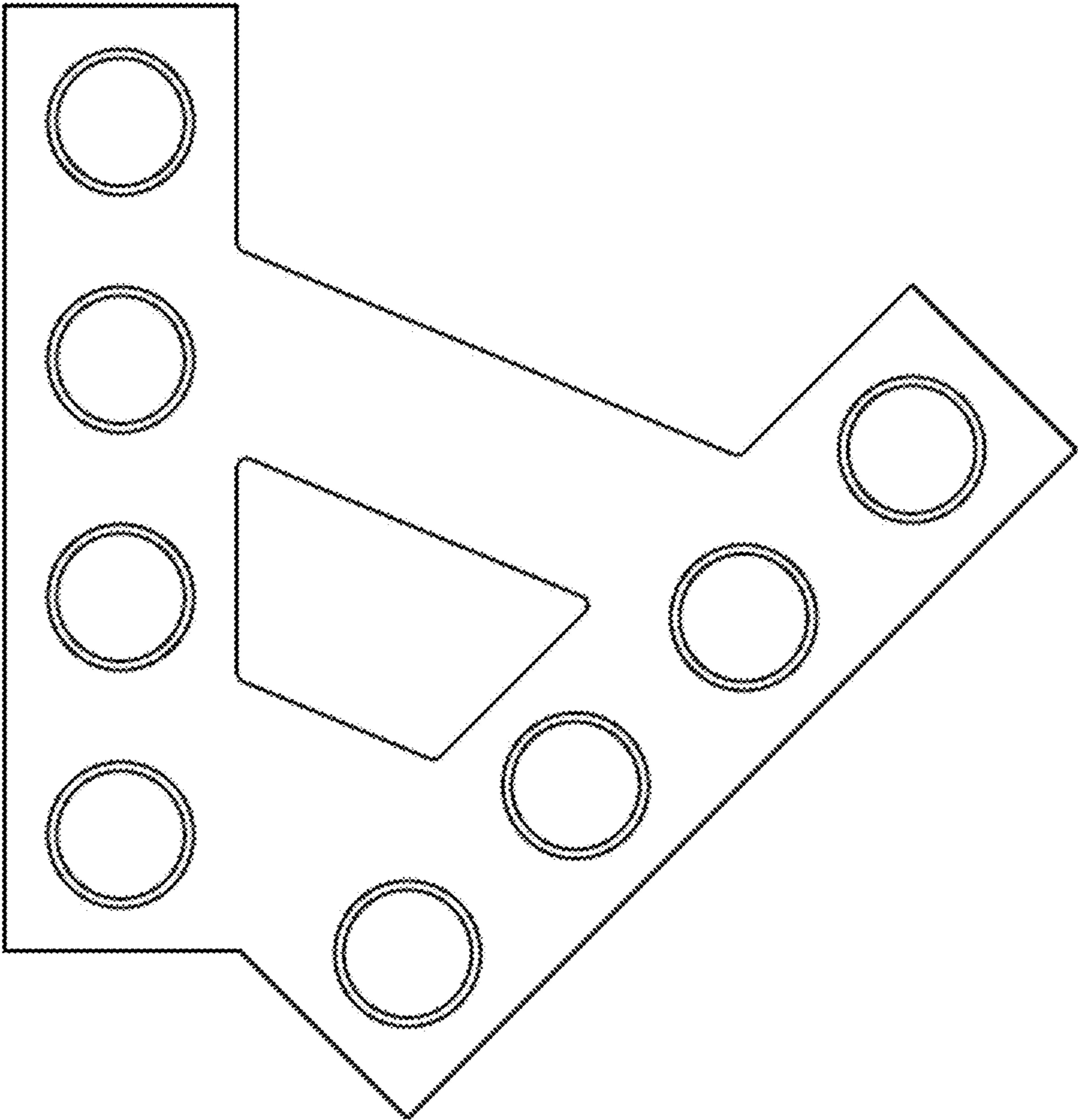


FIG. 2

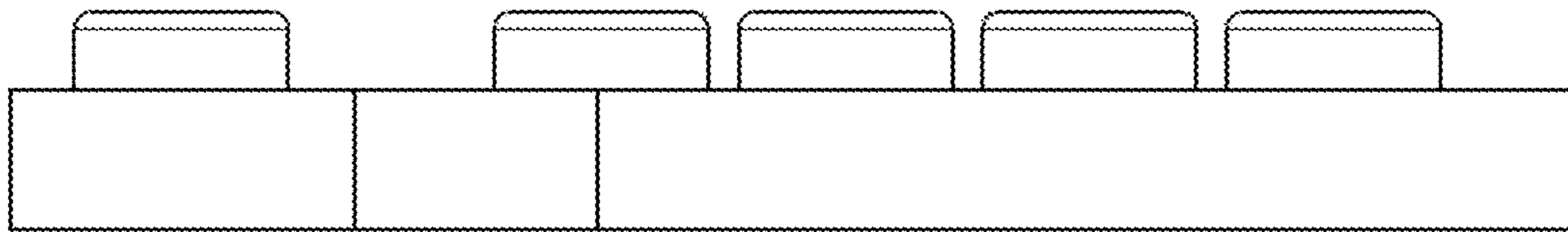


FIG. 3

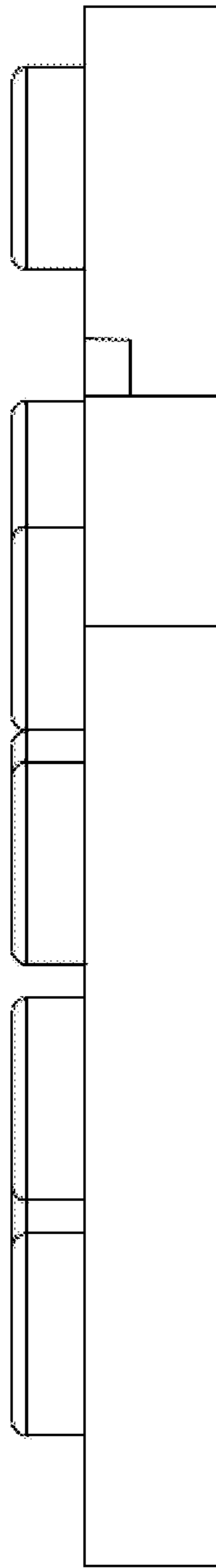


FIG. 4

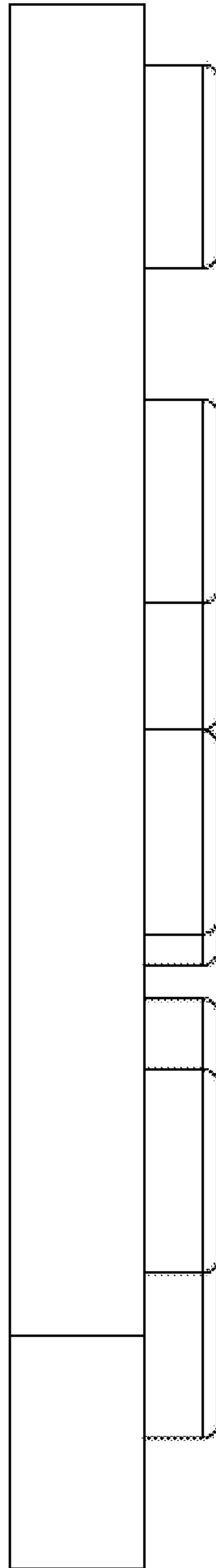


FIG. 5

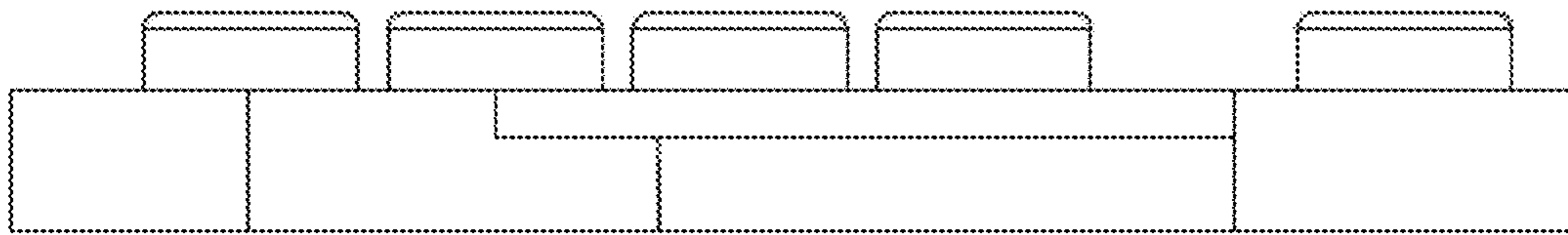


FIG. 6

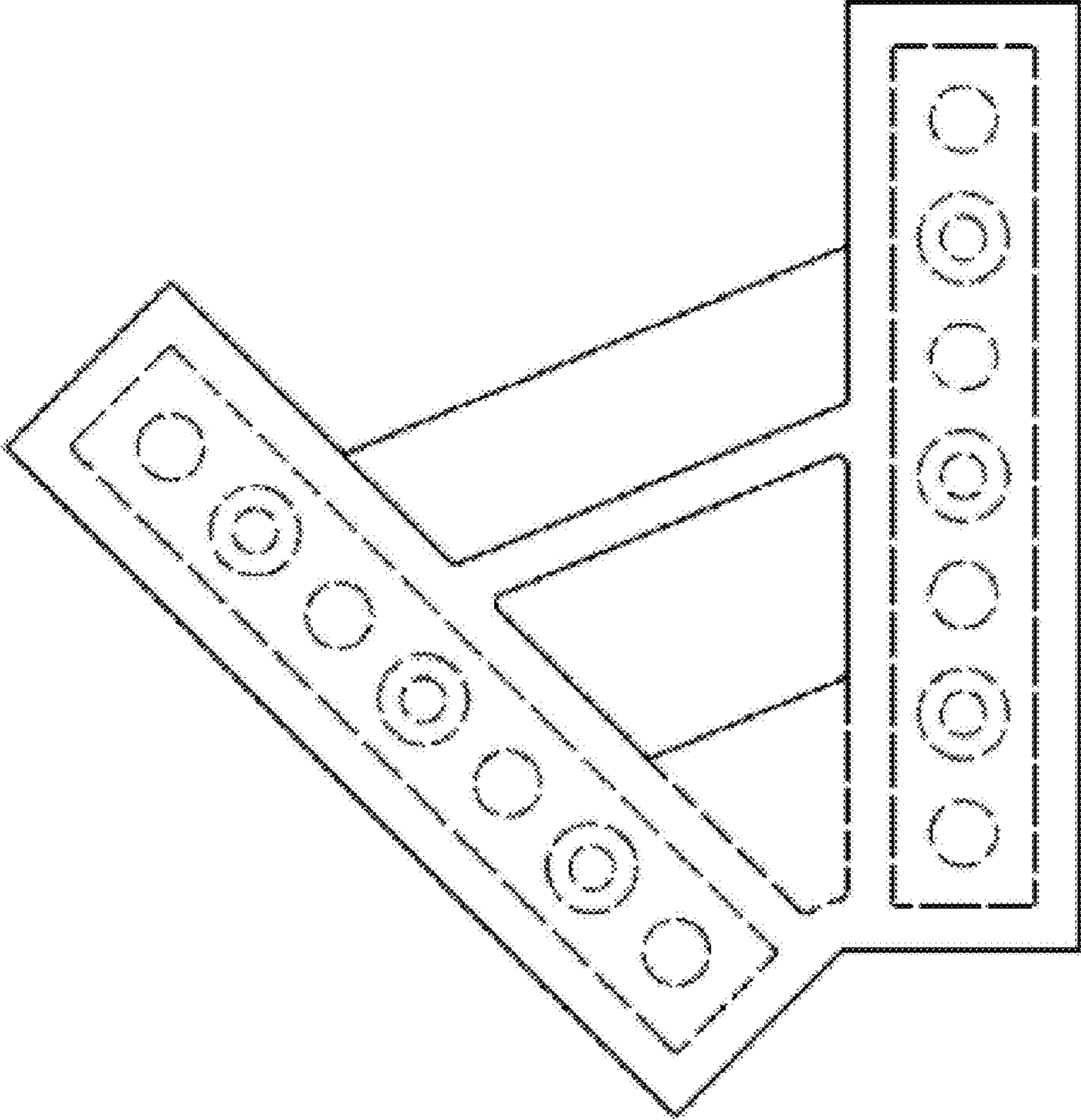


FIG. 7