



US00D731593S

(12) **United States Design Patent**  
**Petrie et al.**

(10) **Patent No.:** **US D731,593 S**  
(45) **Date of Patent:** **\*\* Jun. 9, 2015**

(54) **PAIR OF NOTEBOOK POCKET BUTTONS**

(71) Applicant: **Staples The Office Superstore, LLC**, Framingham, MA (US)

(72) Inventors: **Aidan Petrie**, Jamestown, RI (US);  
**Daniel Nelsen**, Central Falls, RI (US);  
**Kenneth Zins**, Fitchburg, MA (US)

(73) Assignee: **Staples The Office Superstore, LLC**, Framingham, MA (US)

(\*\*) Term: **14 Years**

(21) Appl. No.: **29/446,849**

(22) Filed: **Feb. 27, 2013**

(51) **LOC (10) Cl.** ..... **19-04**

(52) **U.S. Cl.**  
USPC ..... **D19/32**

(58) **Field of Classification Search**  
USPC ..... D11/84, 87, 86, 22, 228, 213, 220, 222;  
24/623, 688, 689, 690, 662, 381, 385,  
24/713.8; 63/20, 33; D19/26, 32, 100,  
D19/202; 281/3.1, 15.1, 28, 45, 51; 402/8,  
402/13, 60, 80 R; 462/64, 65, 71, 72, 84;  
229/67.1, 67.3, 68.1; D3/227, 230;  
D8/349, 382

See application file for complete search history.

(56) **References Cited**

**U.S. PATENT DOCUMENTS**

1,300,582 A \* 4/1919 Carr ..... 24/662  
D99,511 S \* 5/1936 Laurie ..... D11/213  
D319,201 S \* 8/1991 Aoki ..... D11/220  
6,098,872 A \* 8/2000 Ong ..... 229/72

D489,966 S \* 5/2004 Ho ..... D8/382  
D517,947 S \* 3/2006 Hollingworth et al. .... D11/220  
7,252,452 B2 \* 8/2007 Africa et al. .... 402/73  
D625,657 S \* 10/2010 Kimoto ..... D11/222  
D625,658 S \* 10/2010 Kimoto ..... D11/222  
D631,780 S \* 2/2011 Levy ..... D11/87  
D633,559 S \* 3/2011 Le et al. .... D19/27  
D641,780 S \* 7/2011 Tseng ..... D19/26  
2007/0254525 A1 \* 11/2007 Pyron et al. .... 439/584  
2012/0241507 A1 \* 9/2012 Rowe et al. .... 229/67.3  
2012/0294669 A1 \* 11/2012 Wrigley ..... 402/31  
2013/0068648 A1 \* 3/2013 Hobbs ..... 206/425

\* cited by examiner

*Primary Examiner* — Sheryl Lane

*Assistant Examiner* — Ieisha Price

(74) *Attorney, Agent, or Firm* — Wolf, Greenfield & Sacks, P.C.; Randy J. Pritzker

(57) **CLAIM**

The ornamental design for pair of notebook pocket buttons, as shown and described.

**DESCRIPTION**

FIG. 1 is a prospective view of the pair of notebook pocket buttons shown on the notebook with elements thereof shown in phantom;

FIG. 2 is a front view thereof;

FIG. 3 is an enlarged front view thereof;

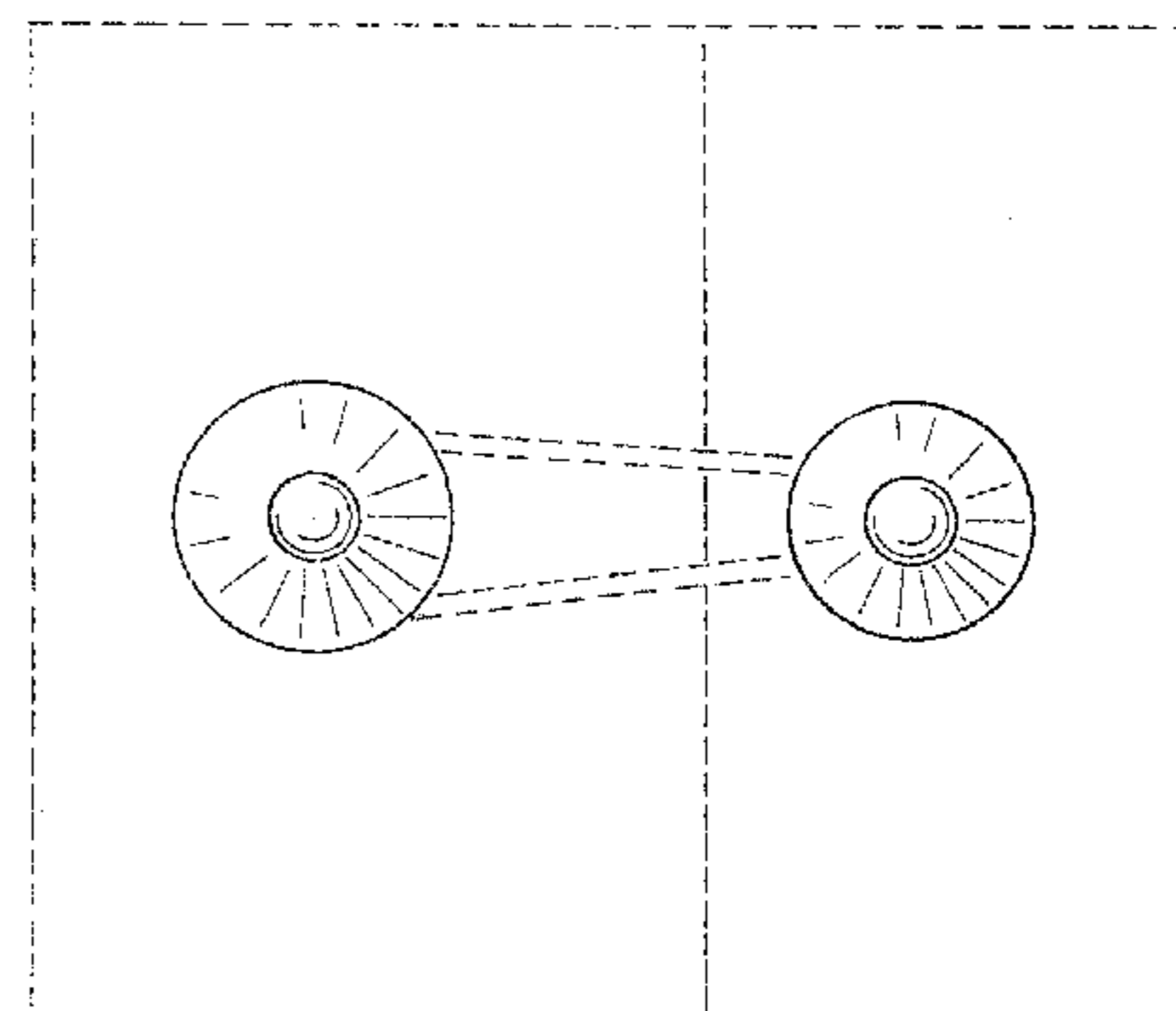
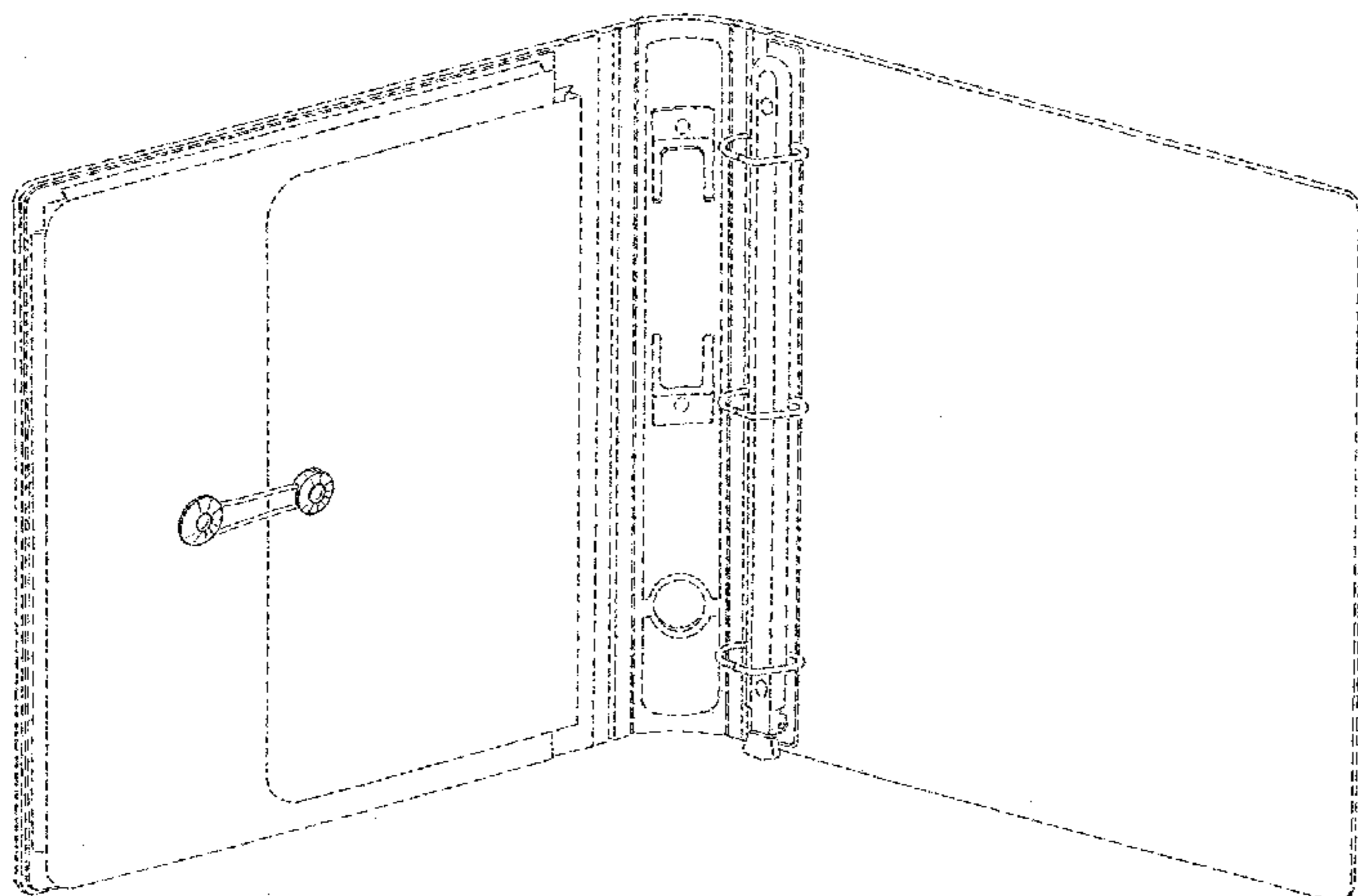
FIG. 4 is an enlarged top view thereof;

FIG. 5 is an enlarged left side view thereof; and,

FIG. 6 is an enlarged right side view thereof.

The broken lines showing of the notebook in FIGS. 1-4 illustrates the environment of the claimed design and forms no part thereof.

**1 Claim, 4 Drawing Sheets**



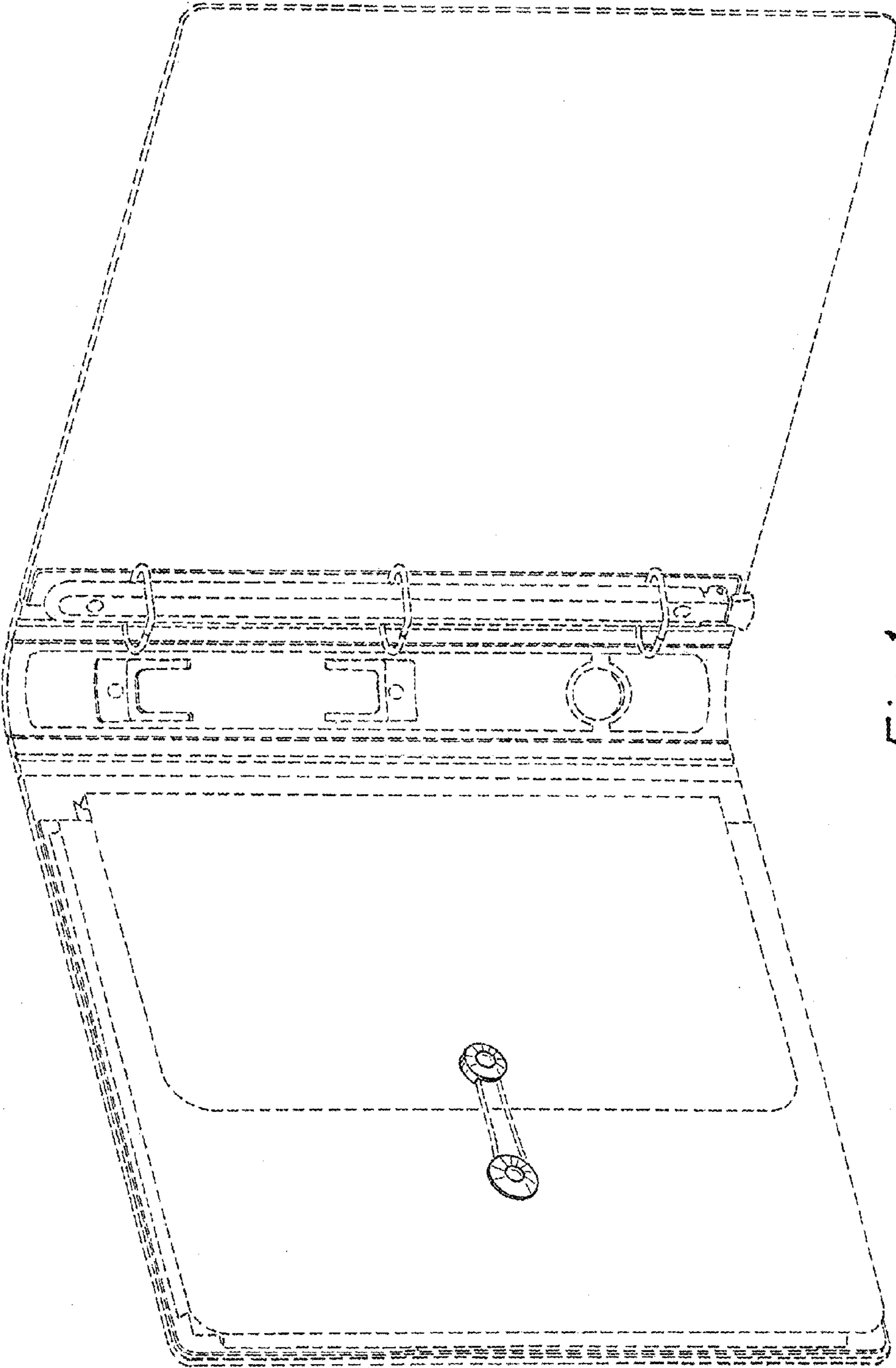
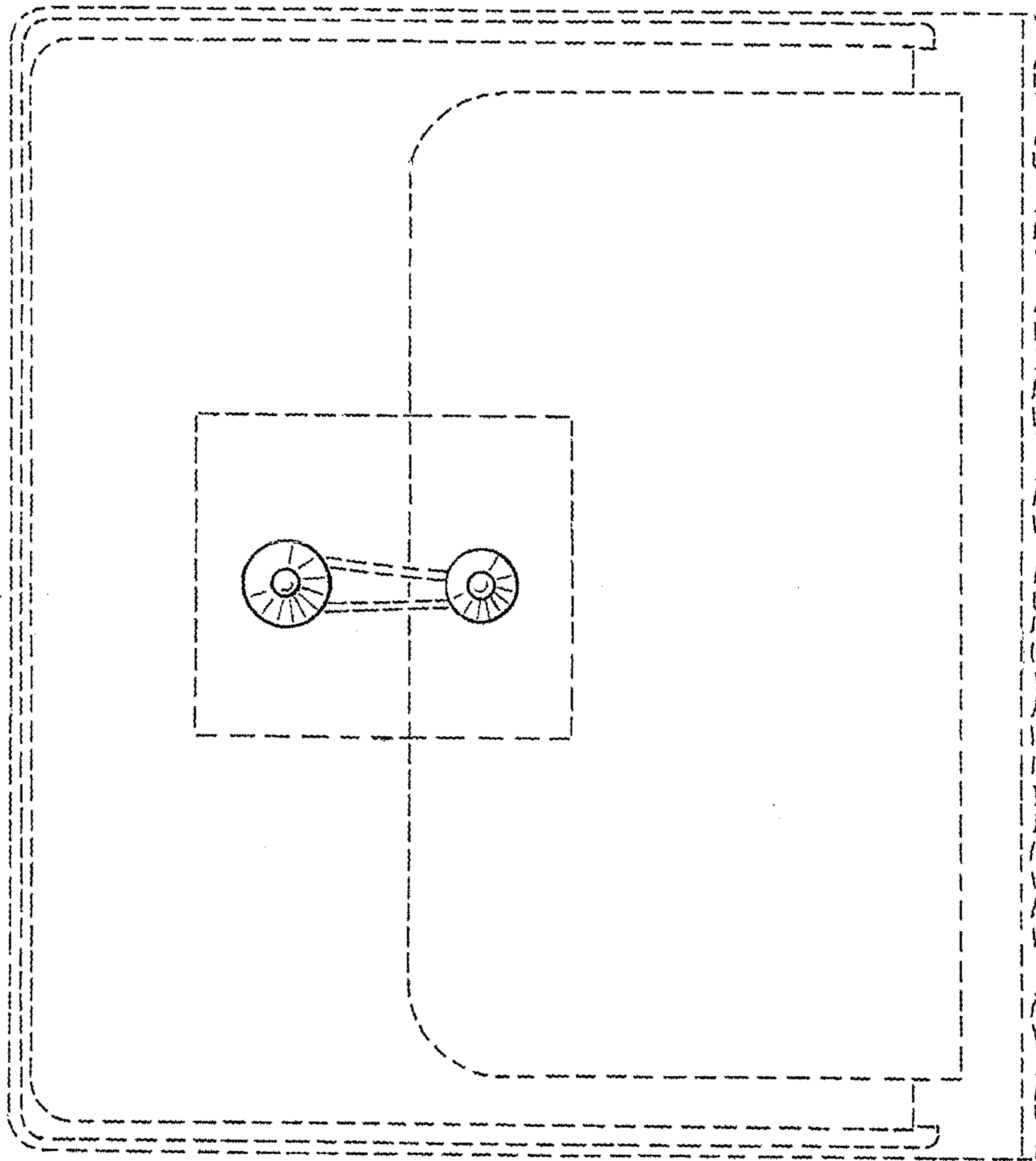
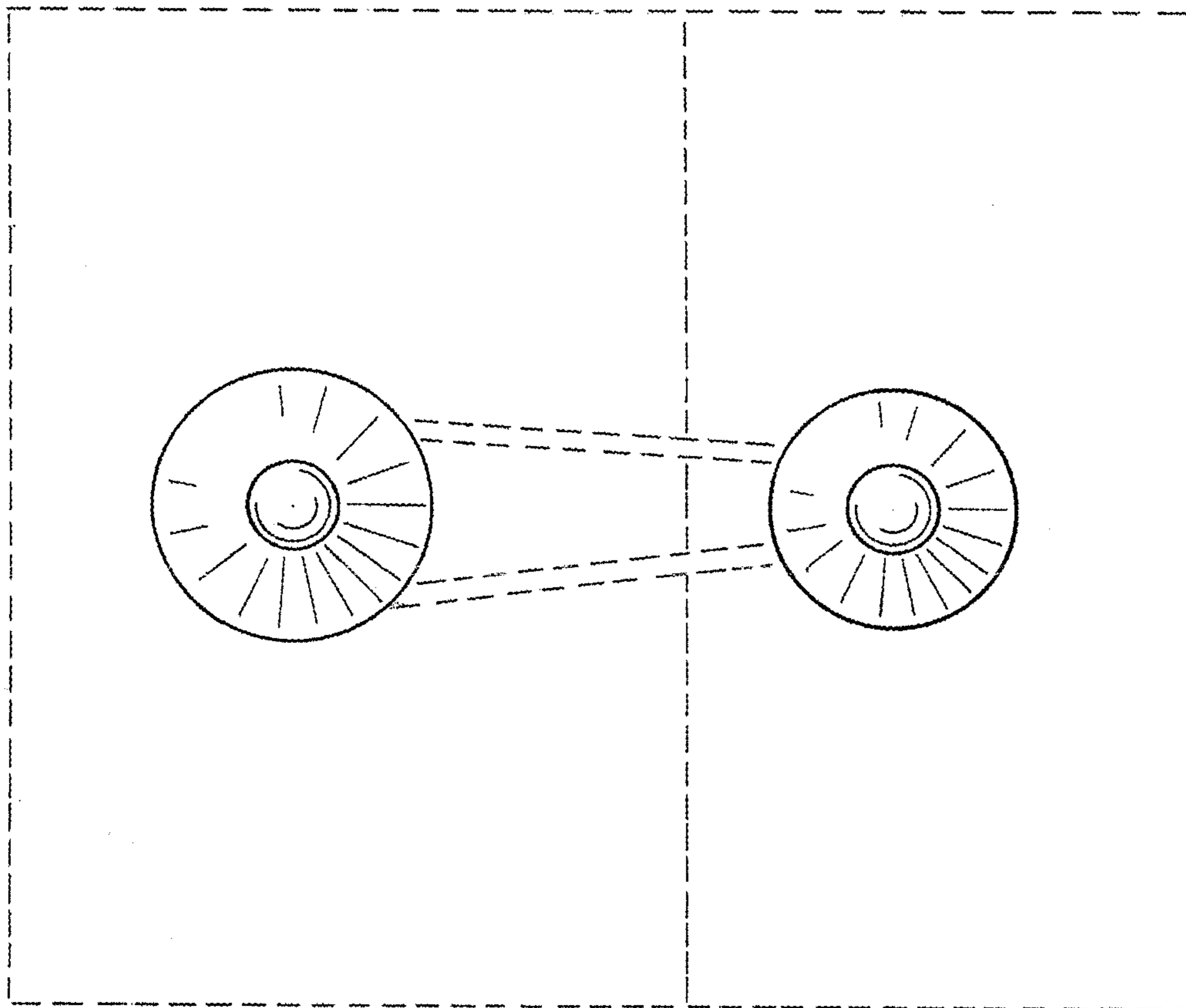


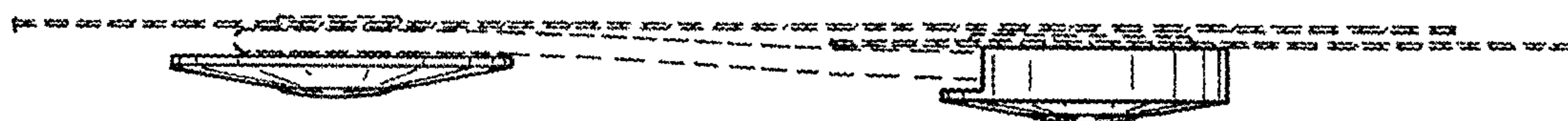
Fig. 1



*Fig. 2*



*Fig. 3*



*Fig. 4*



*Fig. 5*



*Fig. 6*