



US00D731592S

(12) **United States Design Patent**
Rowe et al.

(10) **Patent No.:** **US D731,592 S**
(45) **Date of Patent:** **** Jun. 9, 2015**

(54) **FOLDER WITH SPINE AND FLAP FEATURES**

(71) Applicants: **Michael D. Rowe**, Medway, OH (US);
Scot B. Herbst, Santa Cruz, CA (US);
Peter M. Bartlett, Bellbrook, OH (US);
Megan C. Lapointe, Burlington (CA)

(72) Inventors: **Michael D. Rowe**, Medway, OH (US);
Scot B. Herbst, Santa Cruz, CA (US);
Peter M. Bartlett, Bellbrook, OH (US);
Megan C. Lapointe, Burlington (CA)

(73) Assignee: **ACCO BRANDS CORPORATION**,
Lake Zurich, IL (US)

(**) Term: **14 Years**

(21) Appl. No.: **29/450,664**

(22) Filed: **Mar. 20, 2013**

(51) **LOC (10) Cl.** **19-04**

(52) **U.S. Cl.**
USPC **D19/27**

(58) **Field of Classification Search**
USPC D19/26, 27, 100; 281/3.1, 15.1, 21.1,
281/27.1, 42, 45, 51; 402/1, 3, 19, 80 R;
462/71, 75, 76, 84
CPC B42F 13/00; B42F 13/0006; B42F 3/00
See application file for complete search history.

(56) **References Cited**

U.S. PATENT DOCUMENTS

| | | | | |
|-----------|-----|---------|-----------------|--------|
| 4,219,951 | A * | 9/1980 | Schmidt | 40/530 |
| 4,296,945 | A * | 10/1981 | Pavlik | 281/51 |
| D313,619 | S | 1/1991 | Moor | |
| D319,659 | S | 9/1991 | Moor | |
| D319,660 | S | 9/1991 | Moor | |
| D446,241 | S | 8/2001 | Moor | |
| D486,854 | S | 2/2004 | Wehmeyer et al. | |
| D557,739 | S * | 12/2007 | Bharma | D19/26 |
| D557,740 | S * | 12/2007 | Bharma | D19/26 |
| D558,267 | S * | 12/2007 | Bharma | D19/26 |

| | | | | |
|--------------|------|---------|-------------------|-----------|
| D569,426 | S | 5/2008 | Stockstill et al. | |
| D574,889 | S | 8/2008 | Stockstill et al. | |
| D577,381 | S | 9/2008 | Stockstill et al. | |
| D577,382 | S | 9/2008 | Stockstill et al. | |
| D577,767 | S | 9/2008 | Stockstill et al. | |
| D581,458 | S | 11/2008 | Stockstill et al. | |
| D585,092 | S | 1/2009 | Stockstill et al. | |
| D586,390 | S | 2/2009 | Stockstill et al. | |
| D588,635 | S | 3/2009 | Stockstill et al. | |
| D638,470 | S | 5/2011 | Stockstill et al. | |
| 2008/0174412 | A1 * | 7/2008 | Sward et al. | 340/309.7 |

FOREIGN PATENT DOCUMENTS

| | | |
|----|--------|--------|
| CA | 110807 | 1/2009 |
| CA | 118573 | 1/2009 |
| CA | 118574 | 1/2009 |

(Continued)

Primary Examiner — Sheryl Lane

Assistant Examiner — Ieisha Price

(74) *Attorney, Agent, or Firm* — Thompson Hine LLP

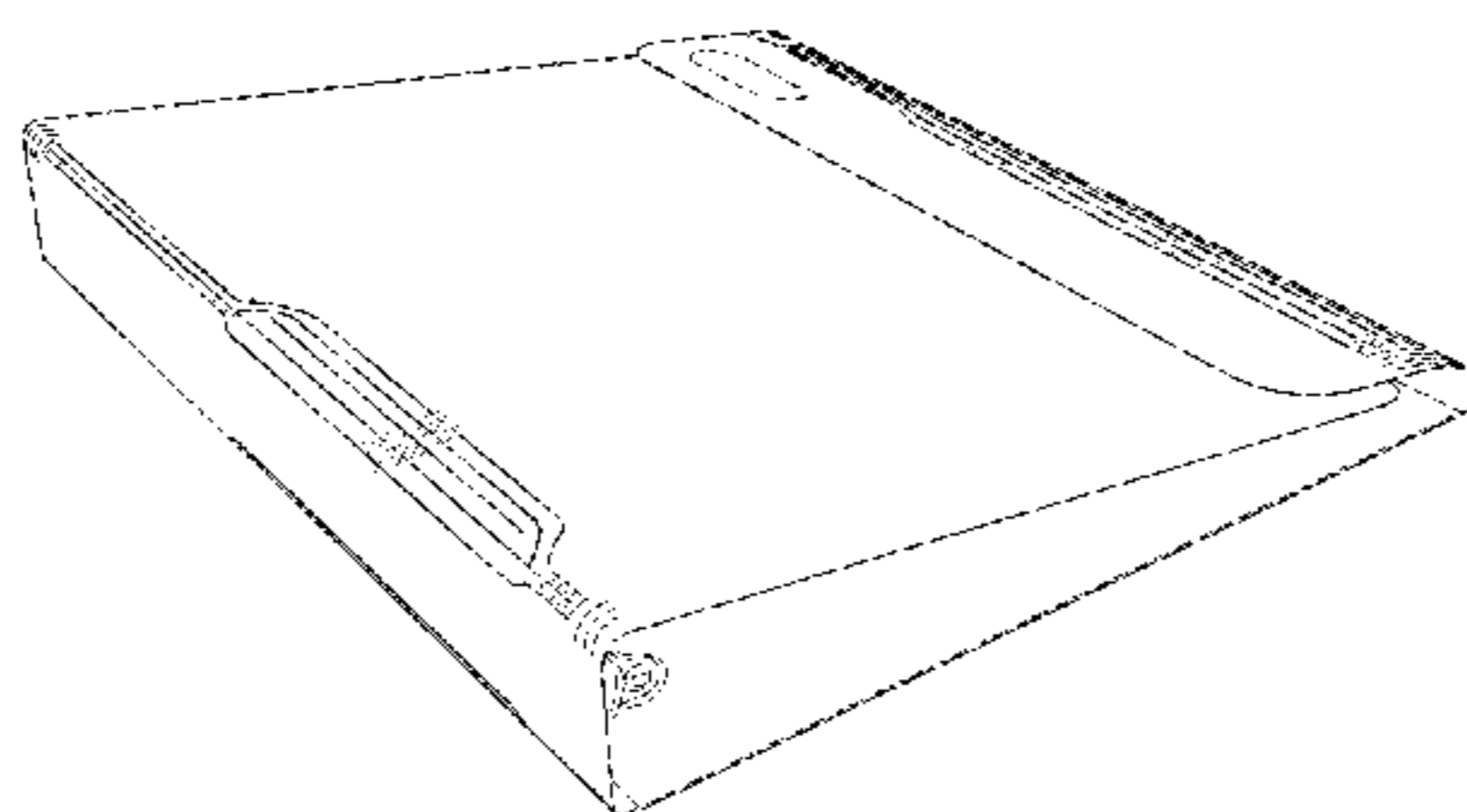
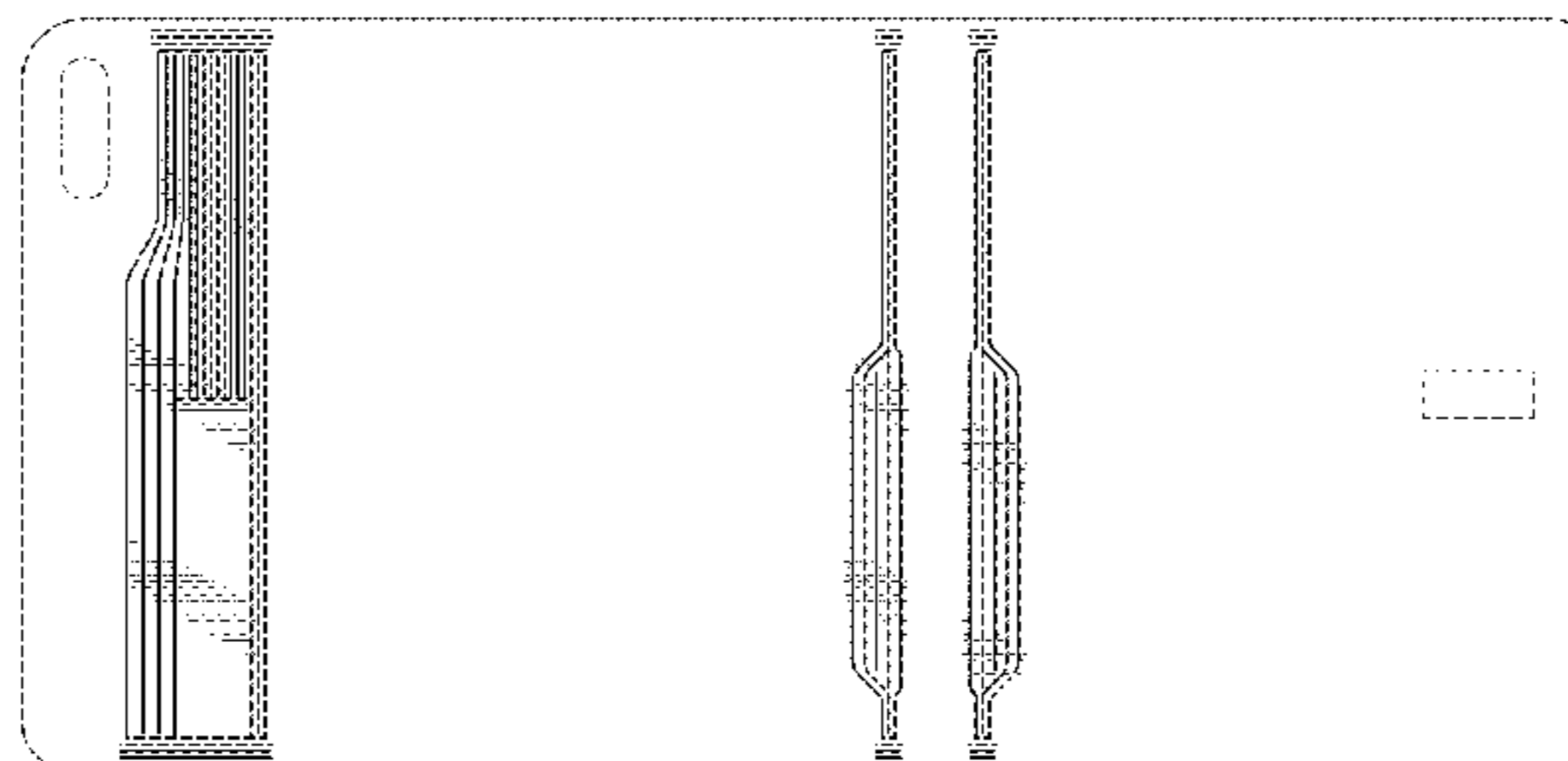
(57) **CLAIM**

The ornamental design for a folder with spine and flap features, as shown and described.

DESCRIPTION

FIG. 1 is a top view of the first embodiment of a folder with spine and flap features;
FIG. 2 is a top perspective view of FIG. 1;
FIG. 3 is a perspective view of FIG. 1, in a folded and closed condition;
FIG. 4 is a top view of the second embodiment of a folder with spine and flap features;
FIG. 5 is a top perspective view of FIG. 4; and,
FIG. 6 is a perspective view of FIG. 4, in a folded and closed condition.
The broken lines in the drawings illustrate portions of the folder with spine and flap features and form no part of the claimed design.

1 Claim, 6 Drawing Sheets



(56)

References Cited

FOREIGN PATENT DOCUMENTS

CA 121194 1/2009
CA 121201 1/2009

CA 127129 1/2009
CA 127130 1/2009
CA 127131 1/2009
CA 127521 1/2009
CA 127538 1/2009

* cited by examiner

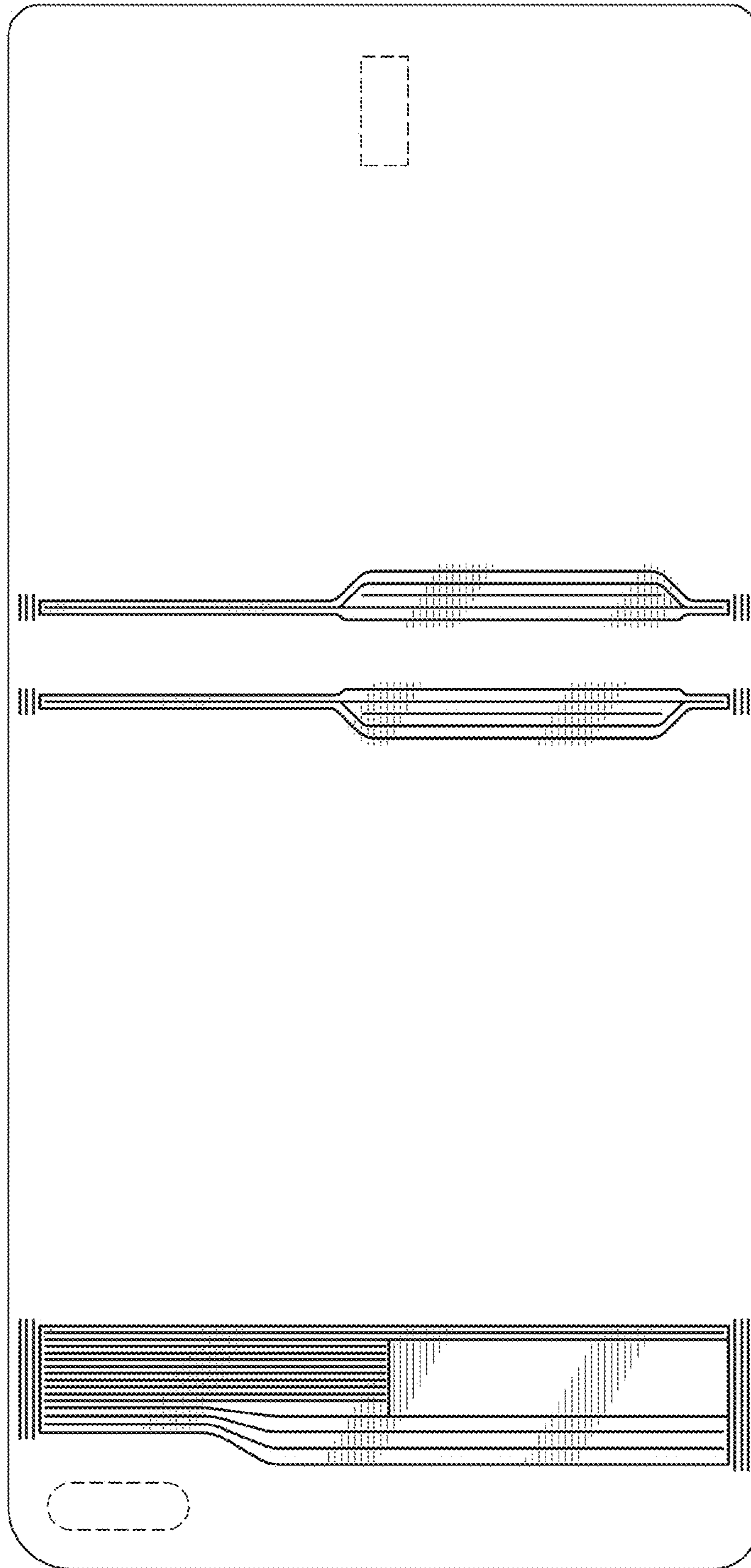


FIG. 1

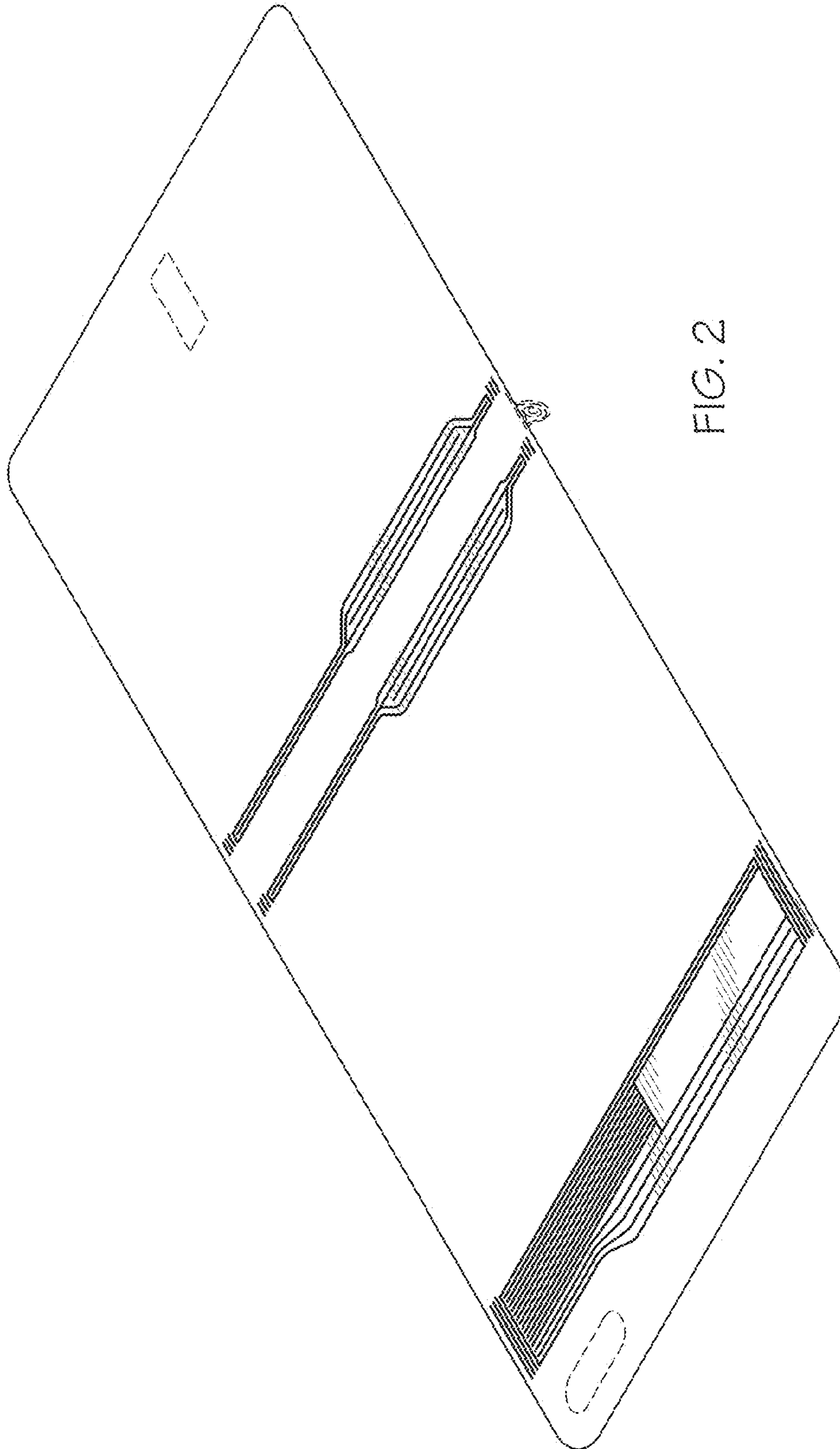


FIG. 2

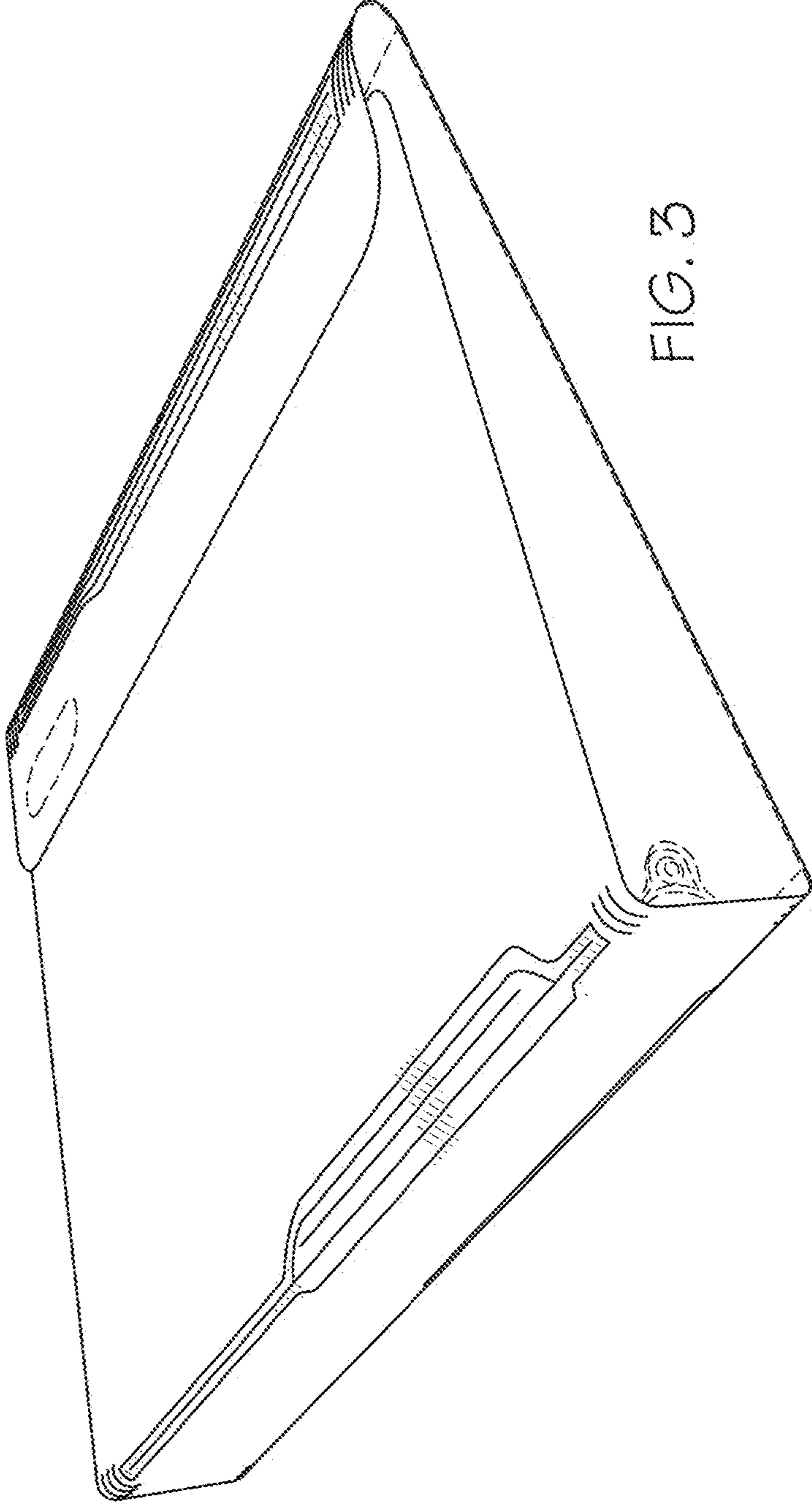


FIG. 3

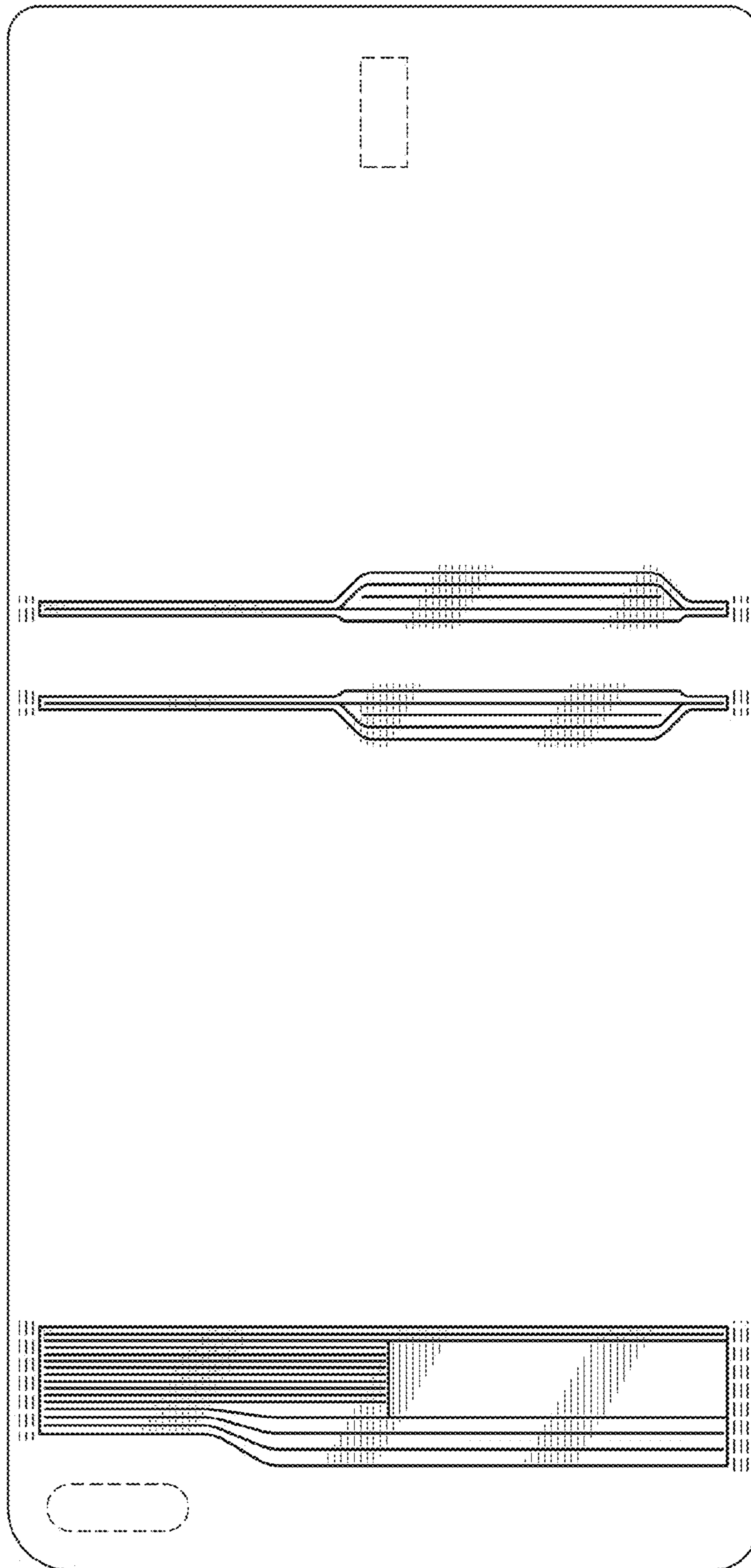


FIG. 4

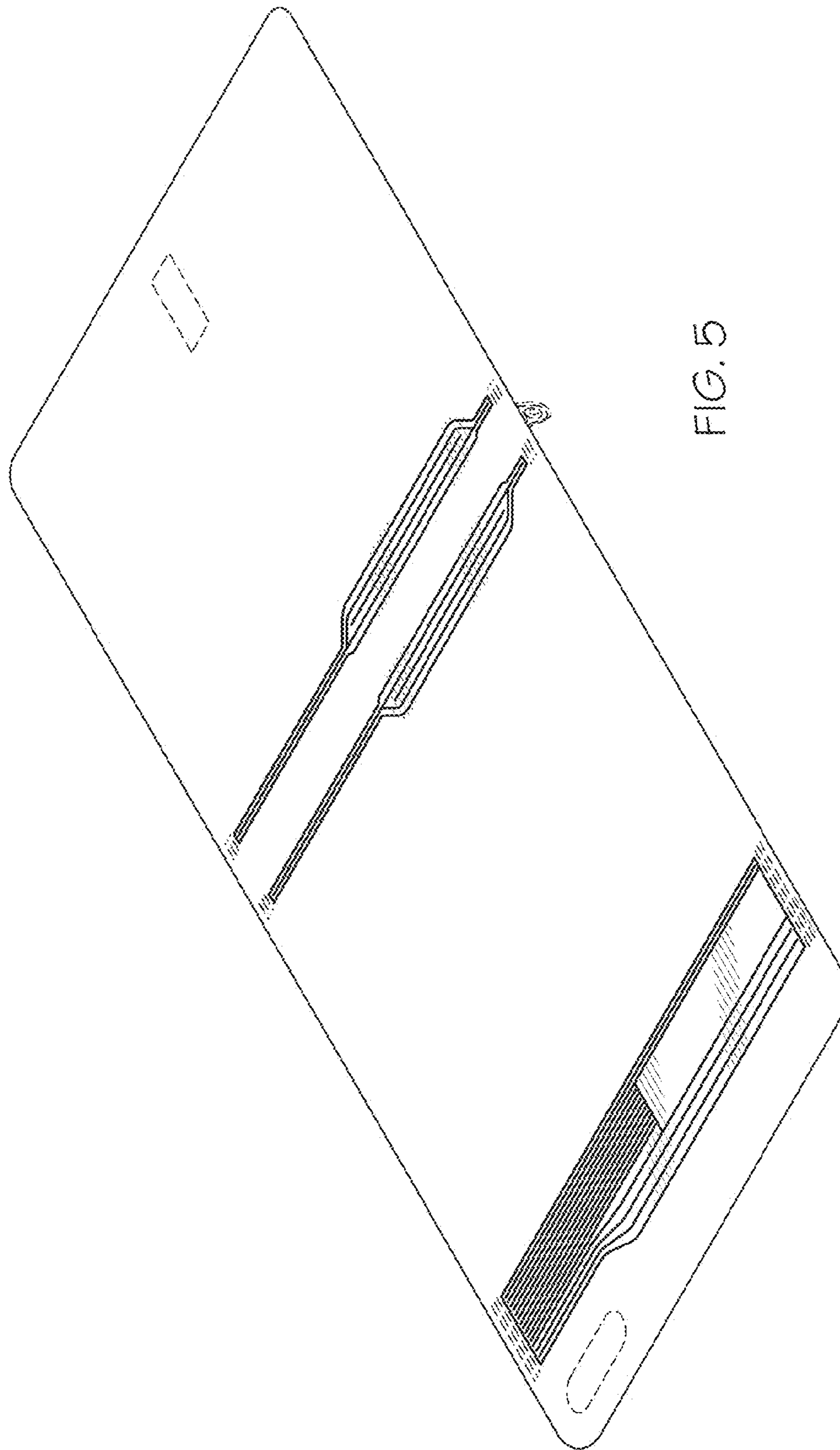


FIG. 5

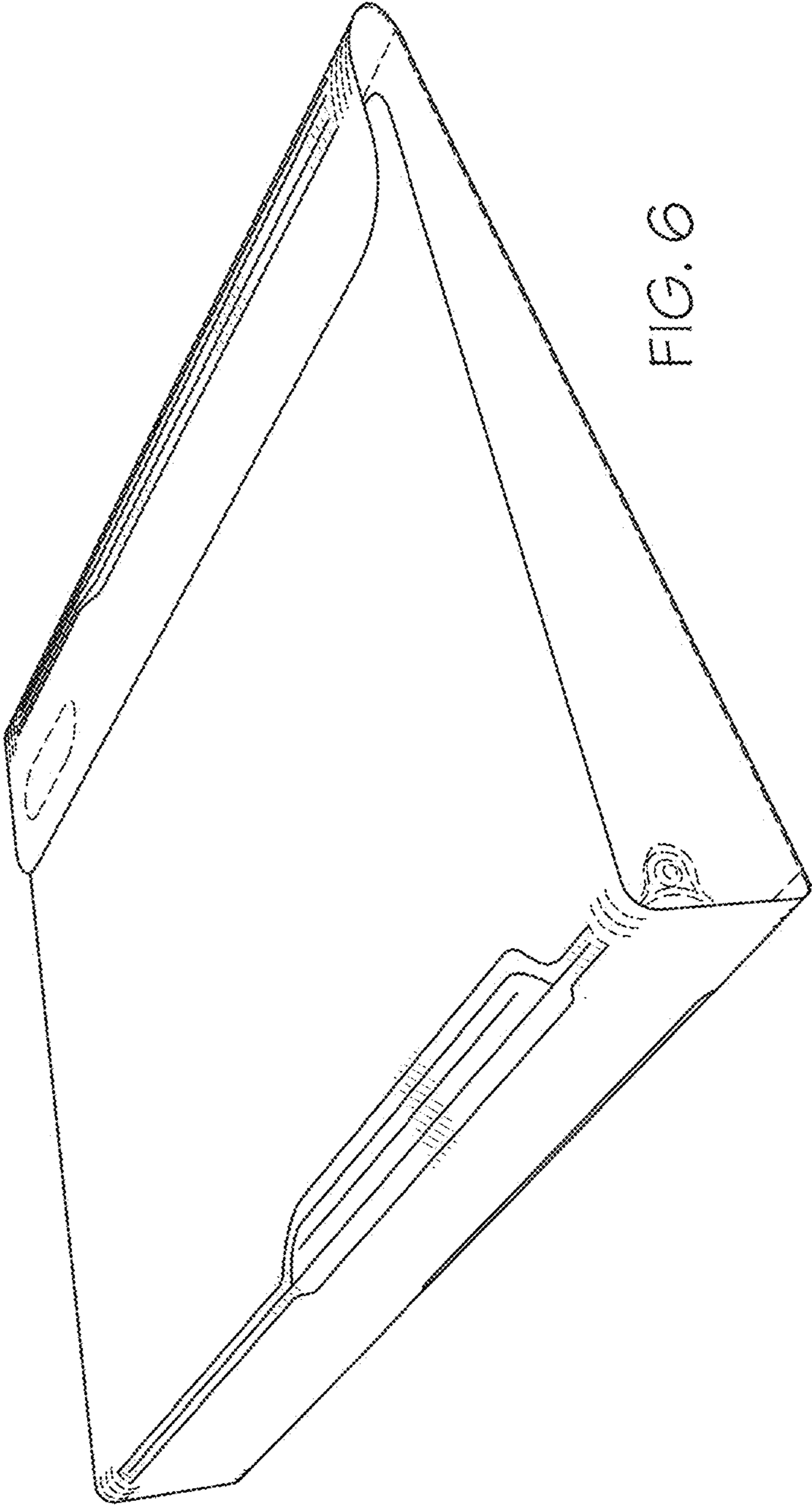


FIG. 6