



US00D731585S

(12) **United States Design Patent**
Reiver

(10) **Patent No.:** **US D731,585 S**
(45) **Date of Patent:** **** Jun. 9, 2015**

(54) **PICKUP MOUNT**

(71) Applicant: **Adam Reiver**, Newtown, PA (US)

(72) Inventor: **Adam Reiver**, Newtown, PA (US)

(**) Term: **14 Years**

(21) Appl. No.: **29/444,403**

(22) Filed: **Jan. 30, 2013**

(51) **LOC (10) Cl.** **17-03**

(52) **U.S. Cl.**
USPC **D17/20**

(58) **Field of Classification Search**
USPC D17/14, 18-21, 99; 84/267, 290-293,
84/297 R, 298, 304, 307, 312 R, 314 R,
84/314 N, 455
See application file for complete search history.

(56) **References Cited**

U.S. PATENT DOCUMENTS

1,170,999	A *	2/1916	Schultz	84/298
3,563,126	A *	2/1971	Connington	84/298
4,230,014	A *	10/1980	Hoshino	84/299
5,029,511	A	7/1991	Rosendahl	
D319,456	S *	8/1991	Fender	D17/20
5,602,353	A *	2/1997	Juskiewicz et al.	84/298
6,849,792	B2	2/2005	Yeakel	
D646,710	S *	10/2011	Chaput	D17/20
D707,286	S *	6/2014	Eberlen	D17/20

2004/0134328	A1	7/2004	Yeakel	
2005/0126377	A1	6/2005	Kanayama et al.	
2009/0183618	A1 *	7/2009	Luttwak	84/291

FOREIGN PATENT DOCUMENTS

DE	19908947	A1	9/1999	
WO	WO 2005081225	A1 *	9/2005	G10H 3/18

* cited by examiner

Primary Examiner — R. Johnson

(74) *Attorney, Agent, or Firm* — Millen, White, Zelano & Branigan, P.C.

(57) **CLAIM**

The ornamental design for a pickup mount, as shown and described.

DESCRIPTION

FIG. 1 is a perspective view of the pickup mount showing my new design.

FIG. 2 is a top view thereof.

FIG. 3 is a bottom view thereof.

FIG. 4 is a front view thereof.

FIG. 5 is back view thereof.

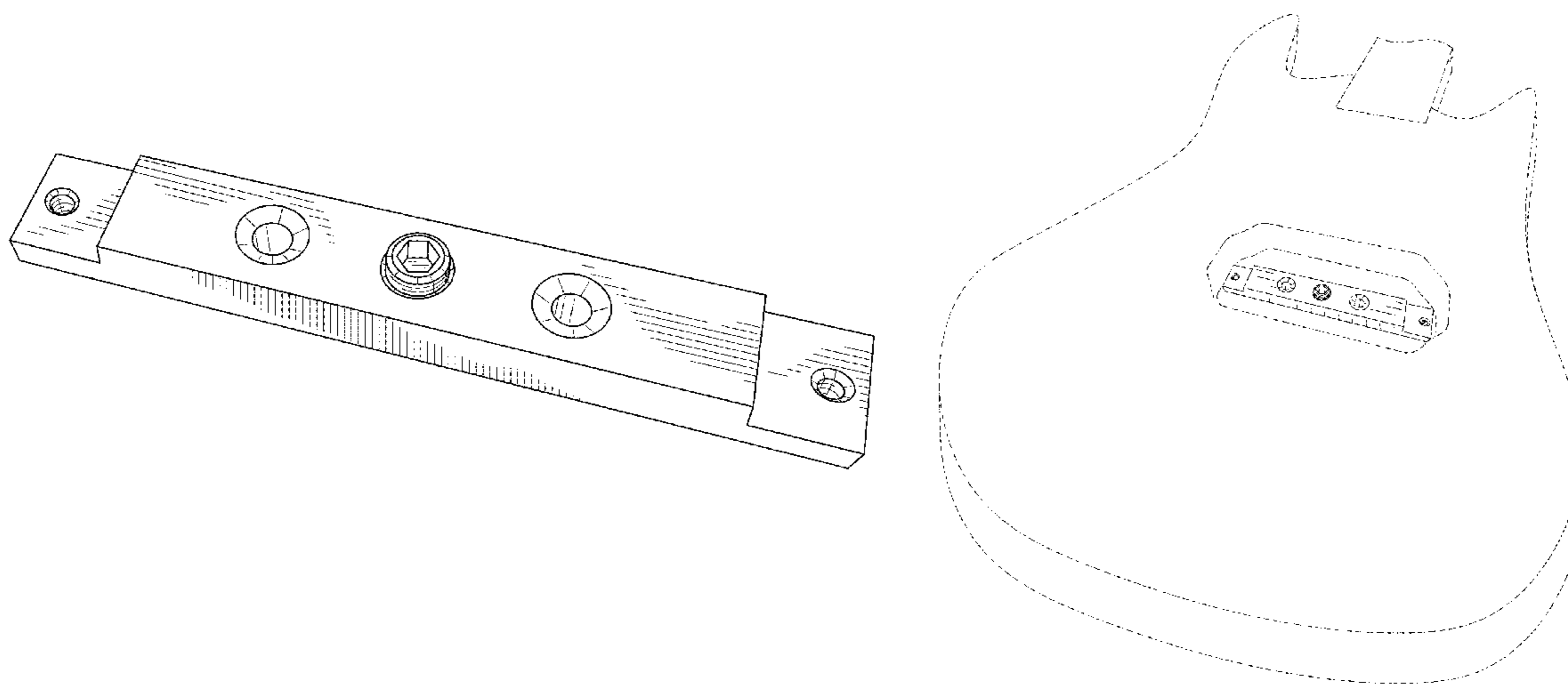
FIG. 6 is a side view thereof.

FIG. 7 is another side view thereof; and,

FIG. 8 is a reduced front perspective view, showing the pickup mount in use.

The broken lines shown in FIG. 8 represent an environment of use and form no part of the claimed design.

1 Claim, 4 Drawing Sheets



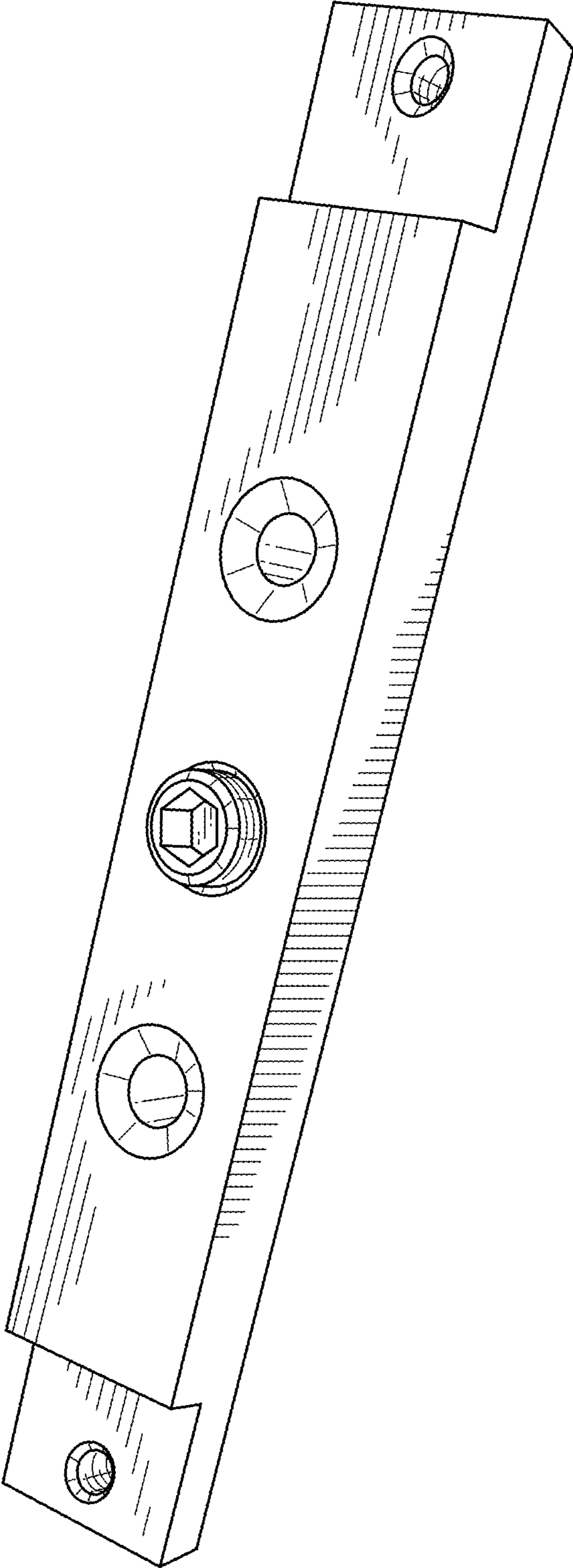


FIG.1

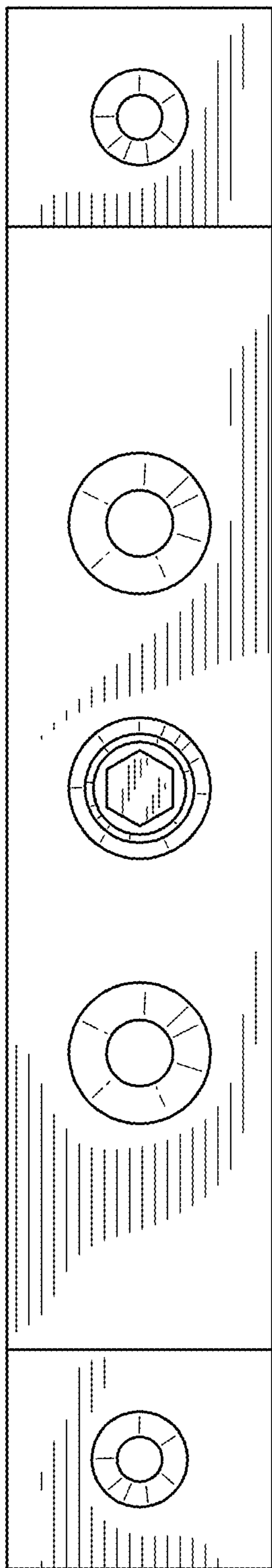


FIG. 2

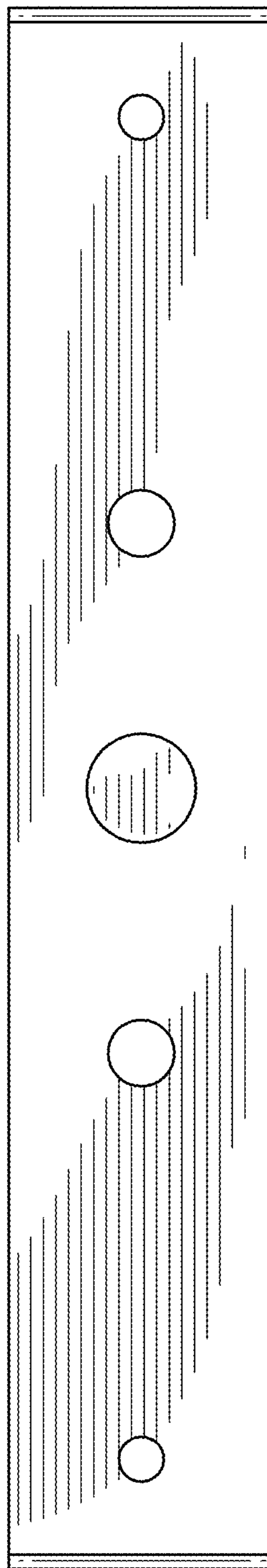


FIG. 3

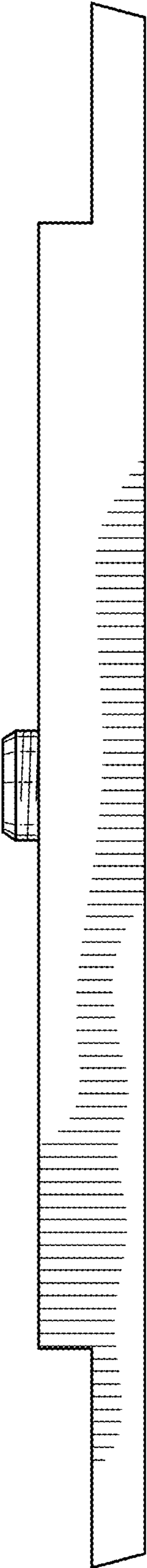


FIG. 4

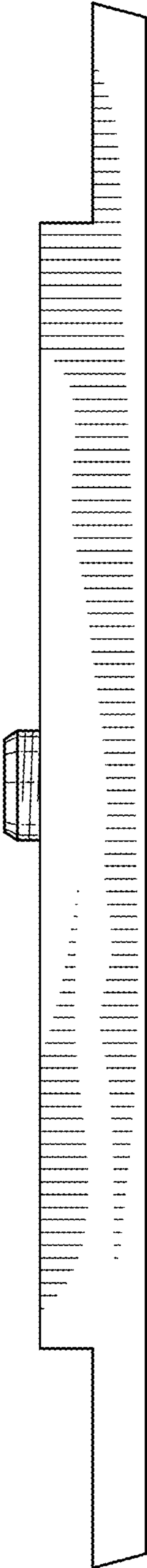


FIG. 5

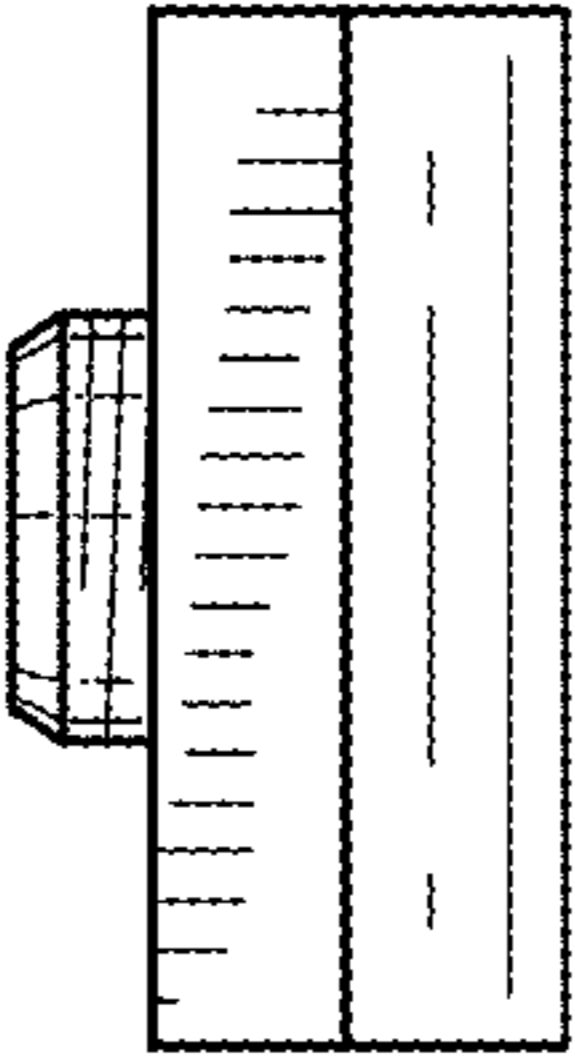


FIG. 6

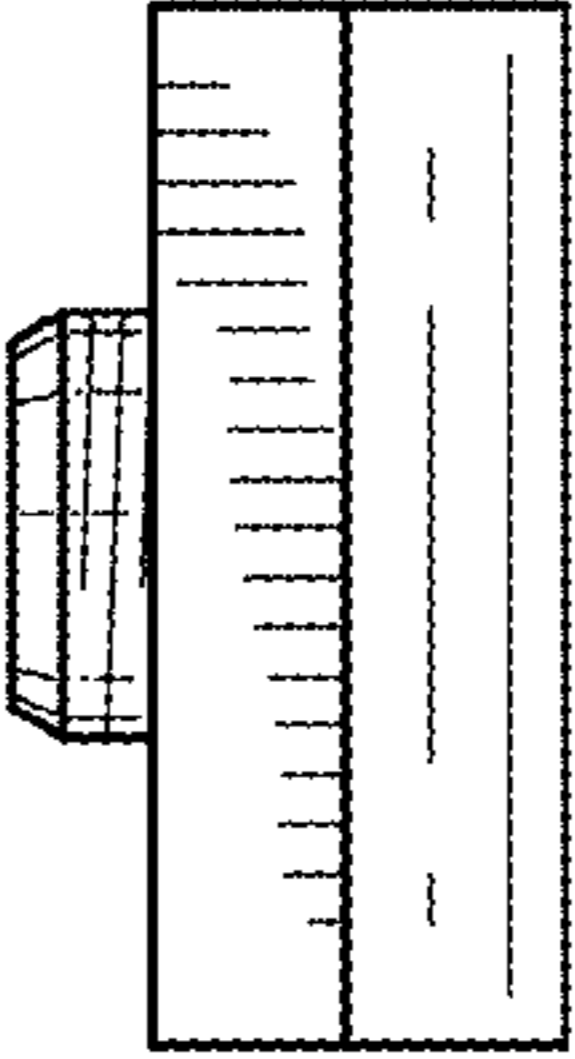


FIG. 7

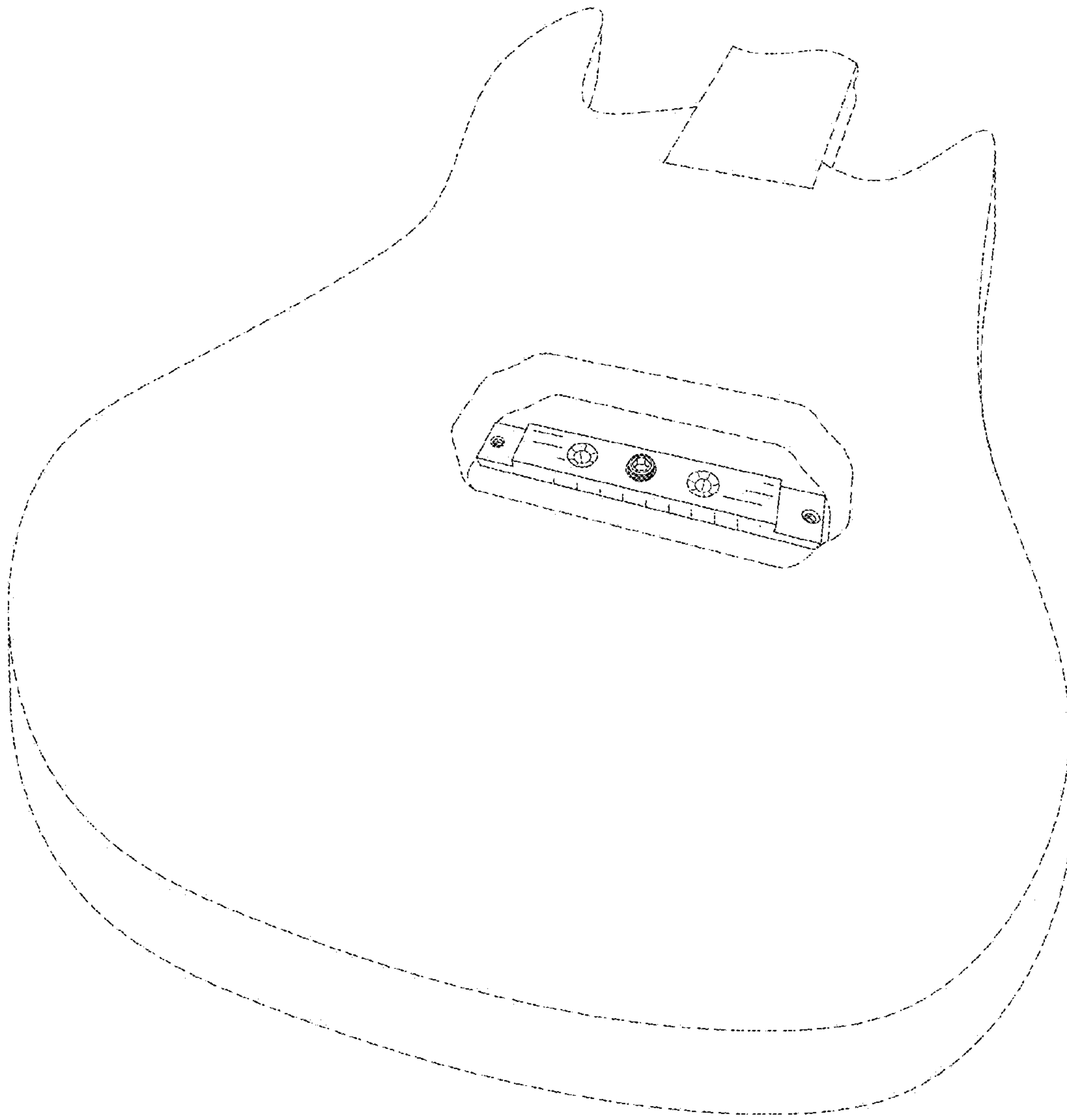


FIG. 8