



US00D731578S

(12) **United States Design Patent**
Johnson

(10) **Patent No.:** **US D731,578 S**
(45) **Date of Patent:** **** Jun. 9, 2015**

- (54) **LIGHT PROJECTOR**
- (71) Applicant: **CLOUD B, INC.**, Gardena, CA (US)
- (72) Inventor: **Jeffery Wayne Johnson**, Lawndale, CA (US)
- (73) Assignee: **CLOUD B, INC.**, Lawndale, CA (US)
- (**) Term: **14 Years**
- (21) Appl. No.: **29/485,876**
- (22) Filed: **Mar. 24, 2014**
- (51) **LOC (10) Cl.** **16-02**
- (52) **U.S. Cl.**
USPC **D16/221**
- (58) **Field of Classification Search**
USPC D16/221, 225, 228–231, 232–233, 203;
D11/131, 152; D26/98, 69, 26;
D21/514; 362/641, 644, 186, 362;
353/34, 115, 119, 122
See application file for complete search history.

(56) **References Cited**

U.S. PATENT DOCUMENTS

D322,550 S *	12/1991	Evans	D26/26
6,499,853 B2 *	12/2002	Stekelenburg	362/641
D564,564 S *	3/2008	Inada et al.	D16/225
7,832,917 B2 *	11/2010	Chien	362/641
2014/0328085 A1 *	11/2014	Johnson et al.	362/644

* cited by examiner

Primary Examiner — Wan Laymon

(74) *Attorney, Agent, or Firm* — Brooks Acordia IP Law, PC

(57) **CLAIM**

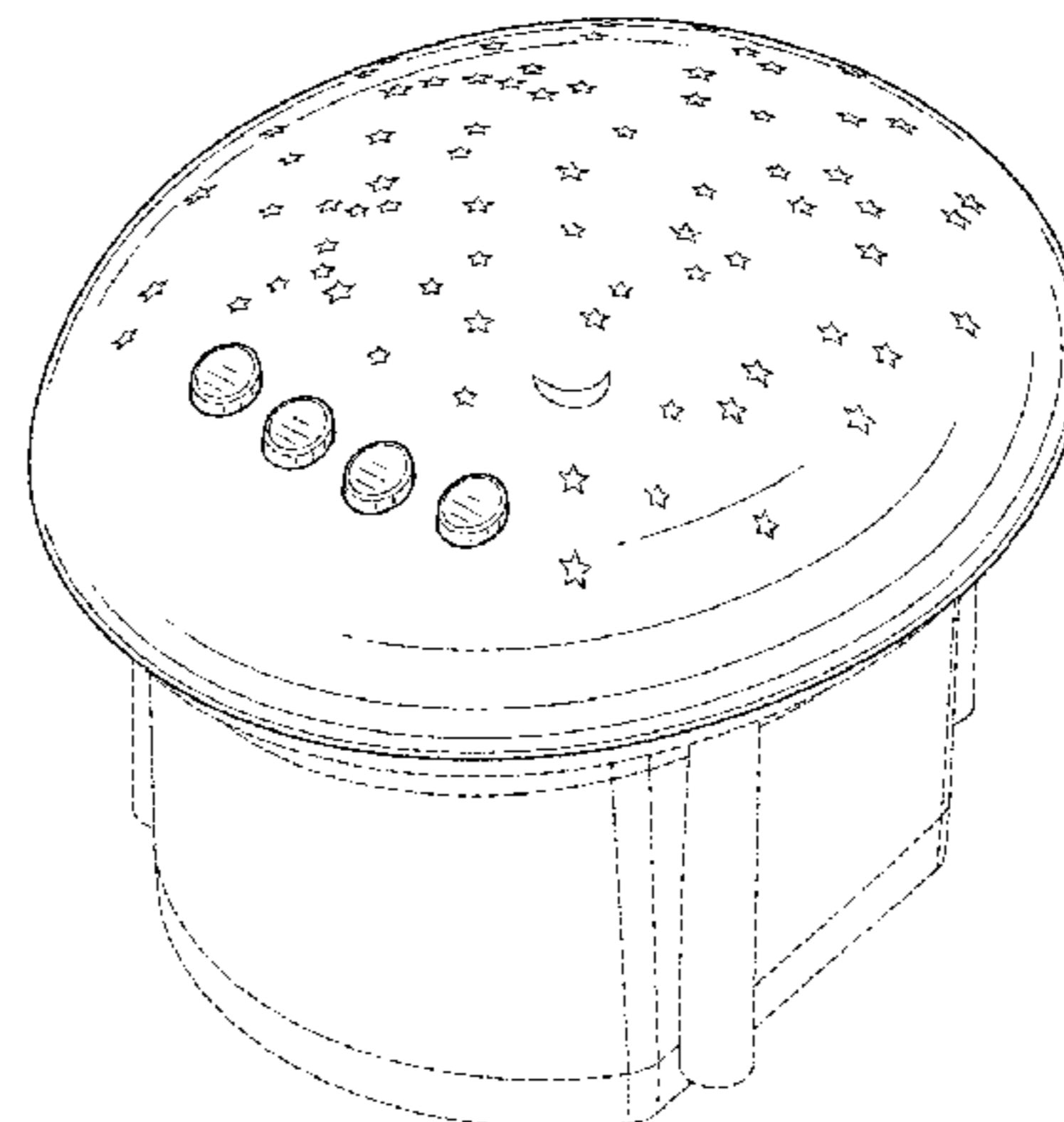
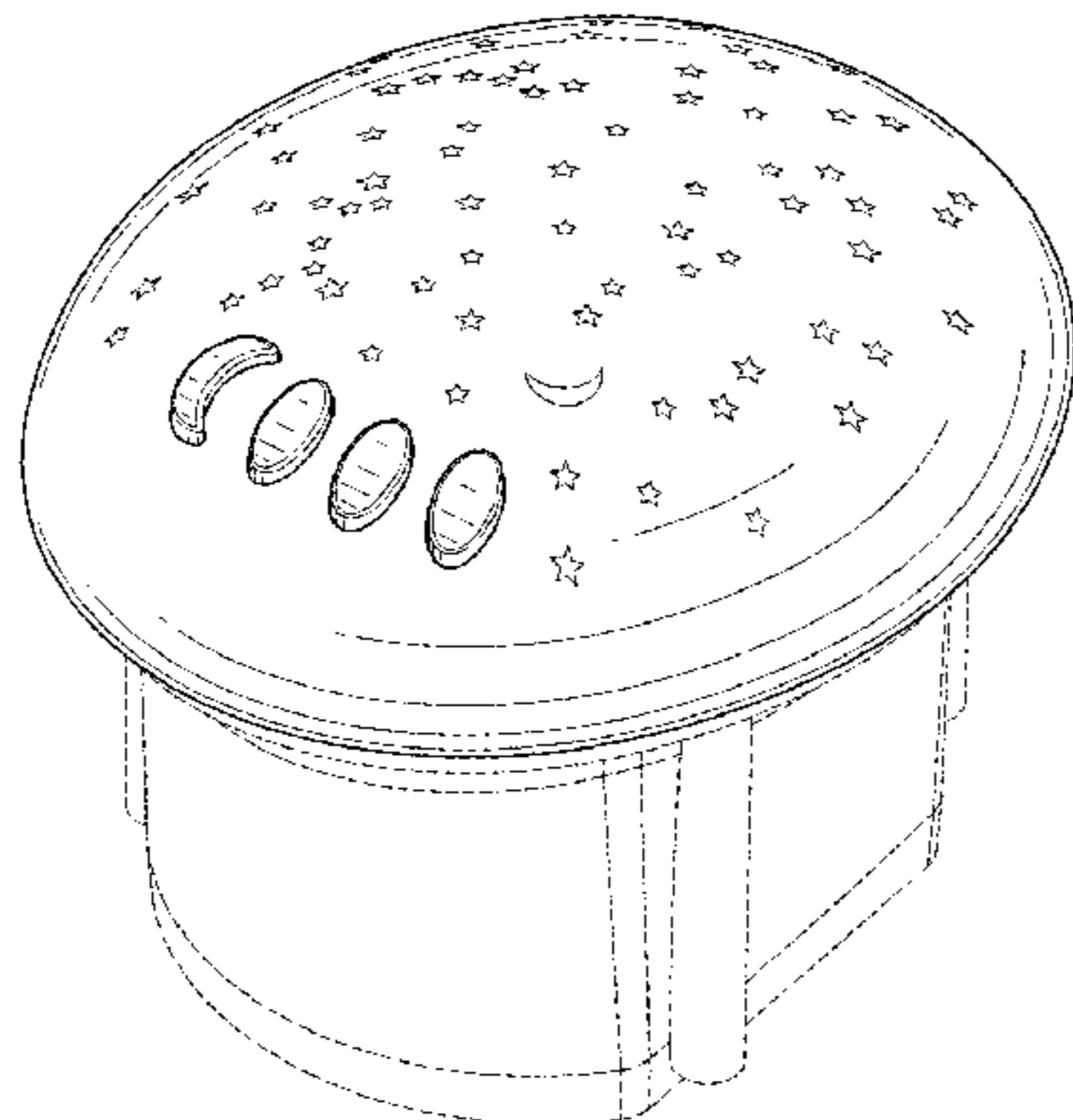
The ornamental design for a light projector, as shown and described.

DESCRIPTION

FIG. 1 is a perspective view of a light projector showing our new design;
 FIG. 2 is a right side elevational view of the embodiment of FIG. 1;
 FIG. 3 is a left side elevational view of the embodiment of FIG. 1
 FIG. 4 is a front elevational view of the embodiment of FIG. 1;

FIG. 5 is a rear elevational view of the embodiment of FIG. 1;
 FIG. 6 is top plan view of the embodiment of FIG. 1;
 FIG. 7 is a bottom plan view of the embodiment of FIG. 1;
 FIG. 8 is a perspective view of an alternate embodiment of the light projector having oval buttons;
 FIG. 9 is a right side elevational view of the embodiment of FIG. 8;
 FIG. 10 is a left side elevational view of the embodiment of FIG. 8;
 FIG. 11 is a front elevational view of the embodiment of FIG. 8;
 FIG. 12 is a top plan view of the embodiment of FIG. 8;
 FIG. 13 is a perspective view of an alternate embodiment of the light projector having circular buttons;
 FIG. 14 is a right side elevational view of the embodiment of FIG. 13;
 FIG. 15 is a left side elevational view of the embodiment of FIG. 13;
 FIG. 16 is a front elevational view of the embodiment of FIG. 13;
 FIG. 17 is a top plan view of the embodiment of FIG. 13;
 FIG. 18 is a perspective view of an alternate embodiment of the light projector having a circular perimeter;
 FIG. 19 is a front elevational view of the embodiment of FIG. 18;
 FIG. 20 is a rear elevational view of the embodiment of FIG. 18;
 FIG. 21 is a top plan view of the embodiment of FIG. 18; and
 FIG. 22 is a bottom plan view of the embodiment of FIG. 18.
 The broken lines shown in the figures are included for the purpose of illustrating portions of the light projector and form no part of the claimed design.
 Surface shading is used to shade FIGS. 1-22 to show clearly the character and contour of all surfaces of the 3-dimensional aspects of the design and form a part of the design sought to be protected. FIG. 8 is a second embodiment of FIG. 1, the only difference being the shape of the leftmost button, it being understood that the views of the bottom surface and back surface of the alternate embodiment of FIG. 8 are the same as the bottom surface and back surface of the embodiment of FIG. 1. FIG. 13 is a third embodiment of FIG. 1, the only difference being the shape of the buttons, it being understood that the view of the bottom surface and back surface of the alternate embodiment of FIG. 13 are the same as the bottom surface and back surface of the embodiment of FIG. 1. FIG. 18 is a fourth embodiment of FIG. 1, the only difference being the shape of the perimeter, it being understood that the view of the left surface and right surface of the alternate embodiment of FIG. 18 are the same as the right surface and left surface of the embodiment of FIG. 1.

1 Claim, 12 Drawing Sheets



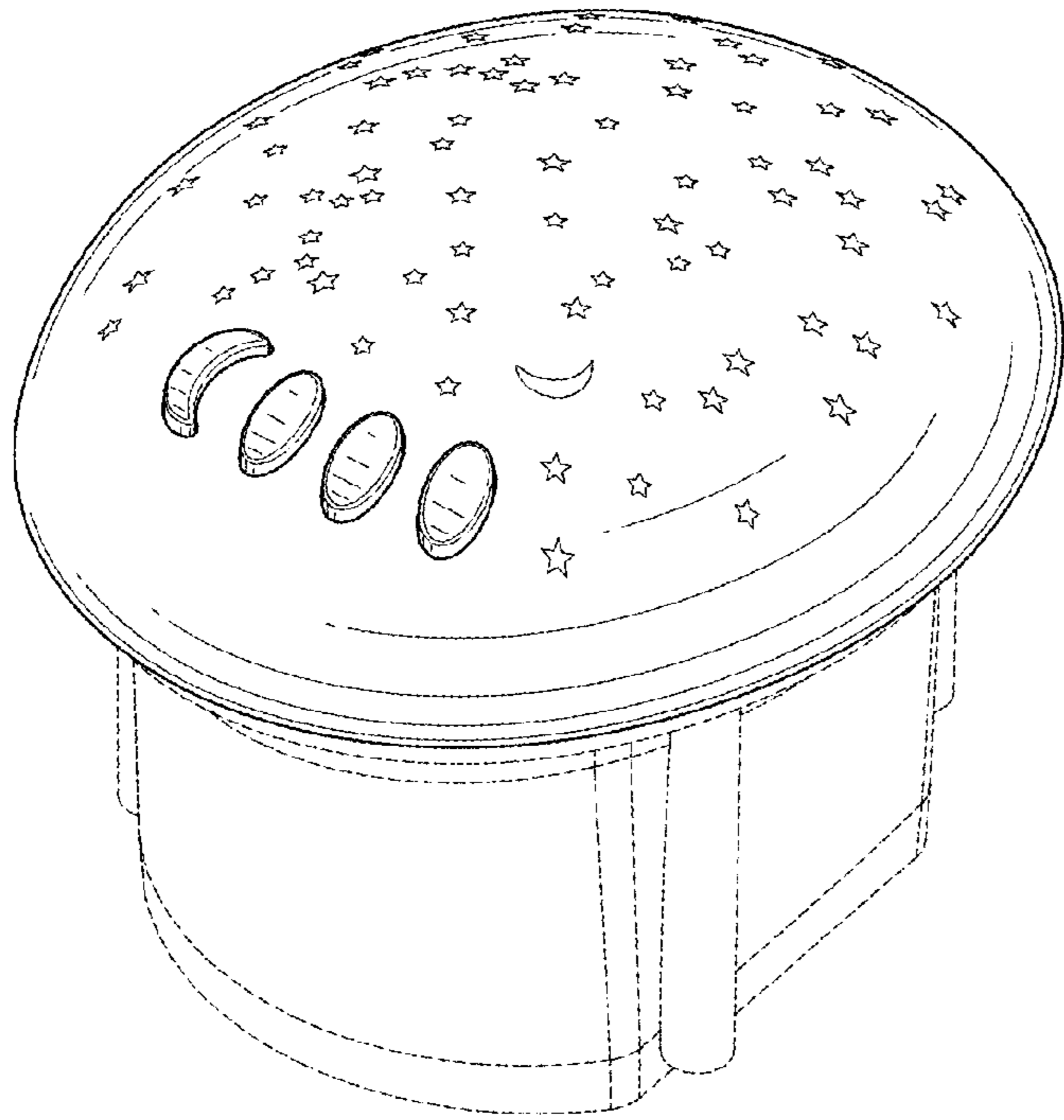


FIG. 1

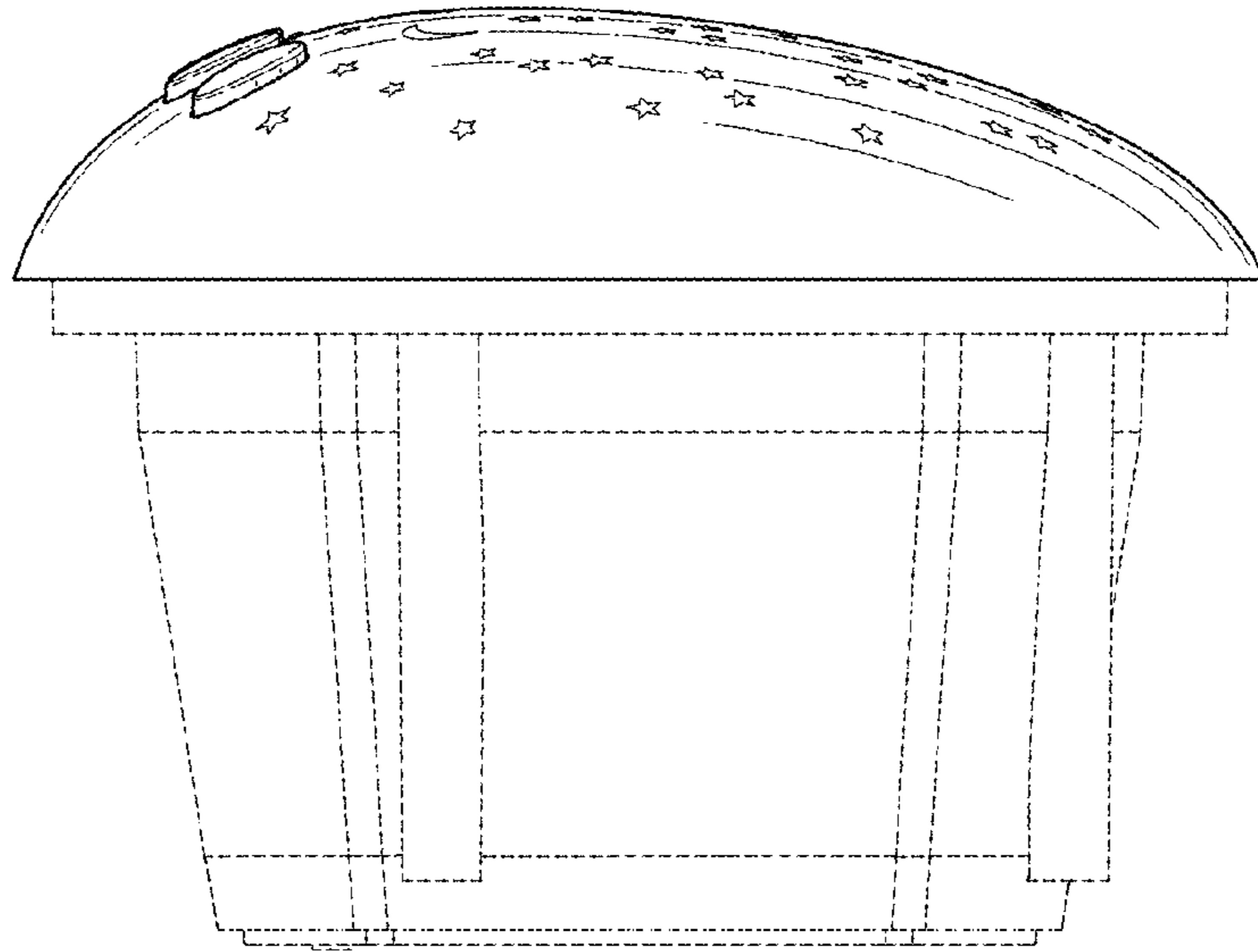


FIG. 2

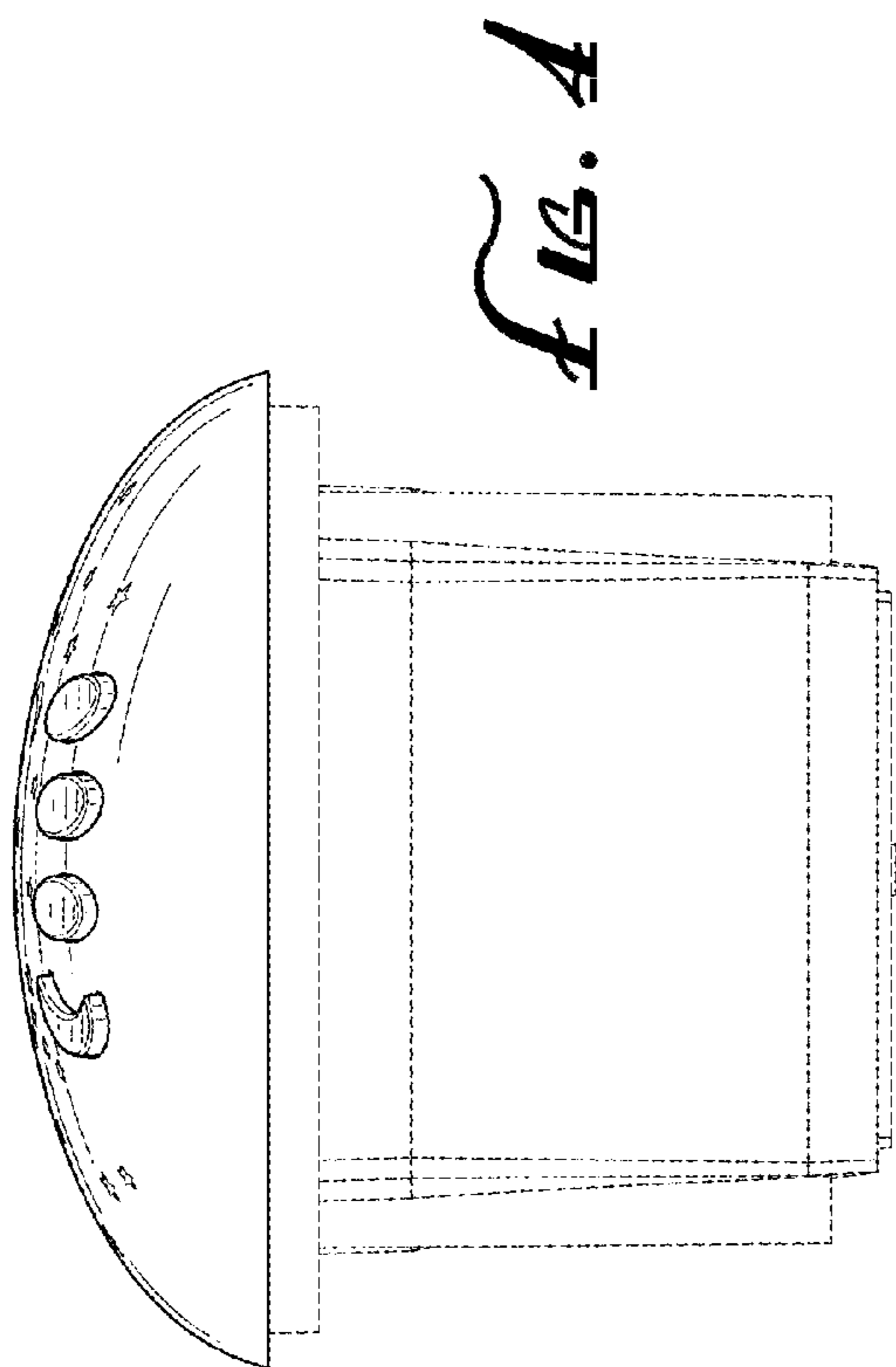


FIG. 4

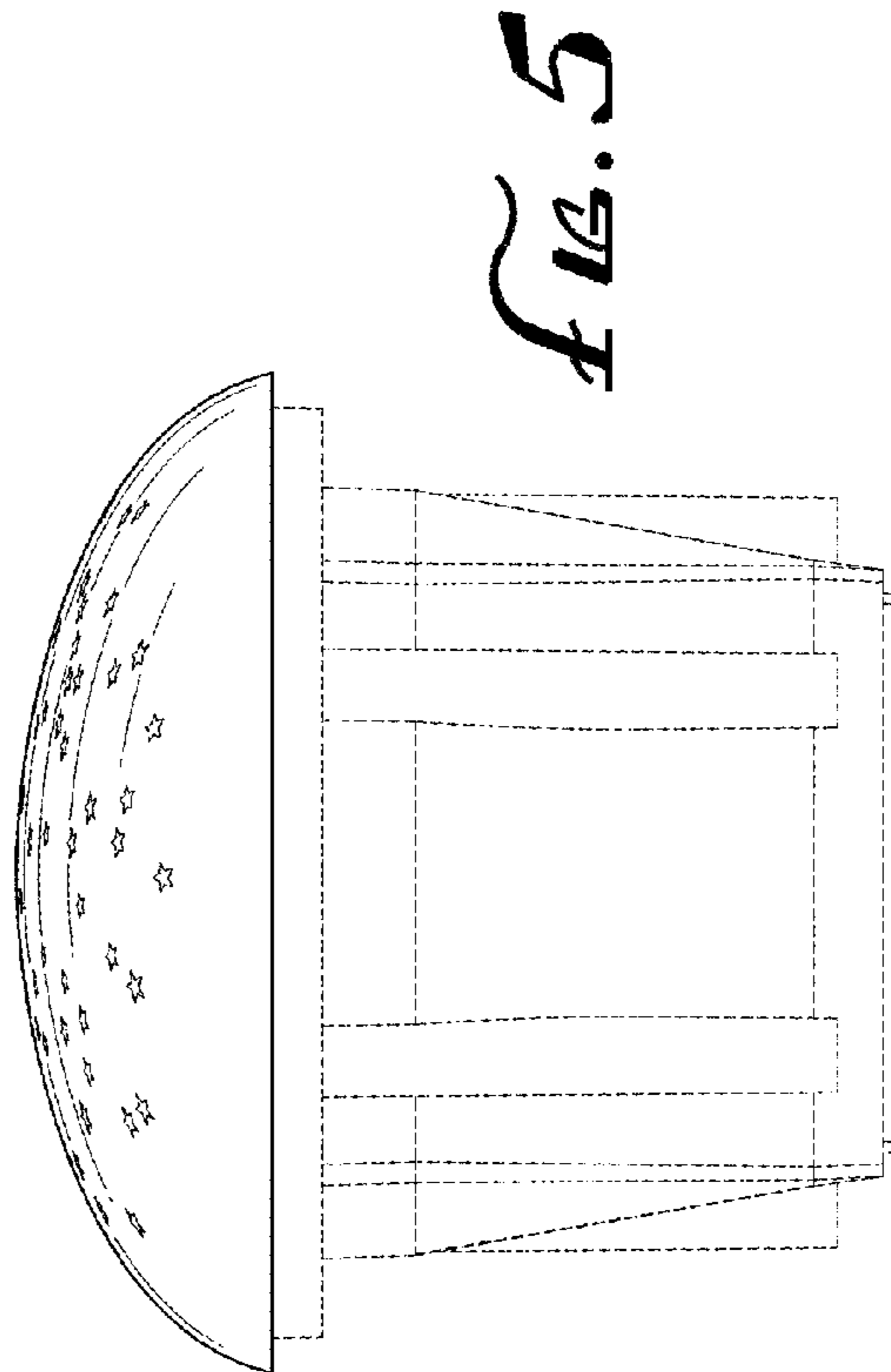


FIG. 5

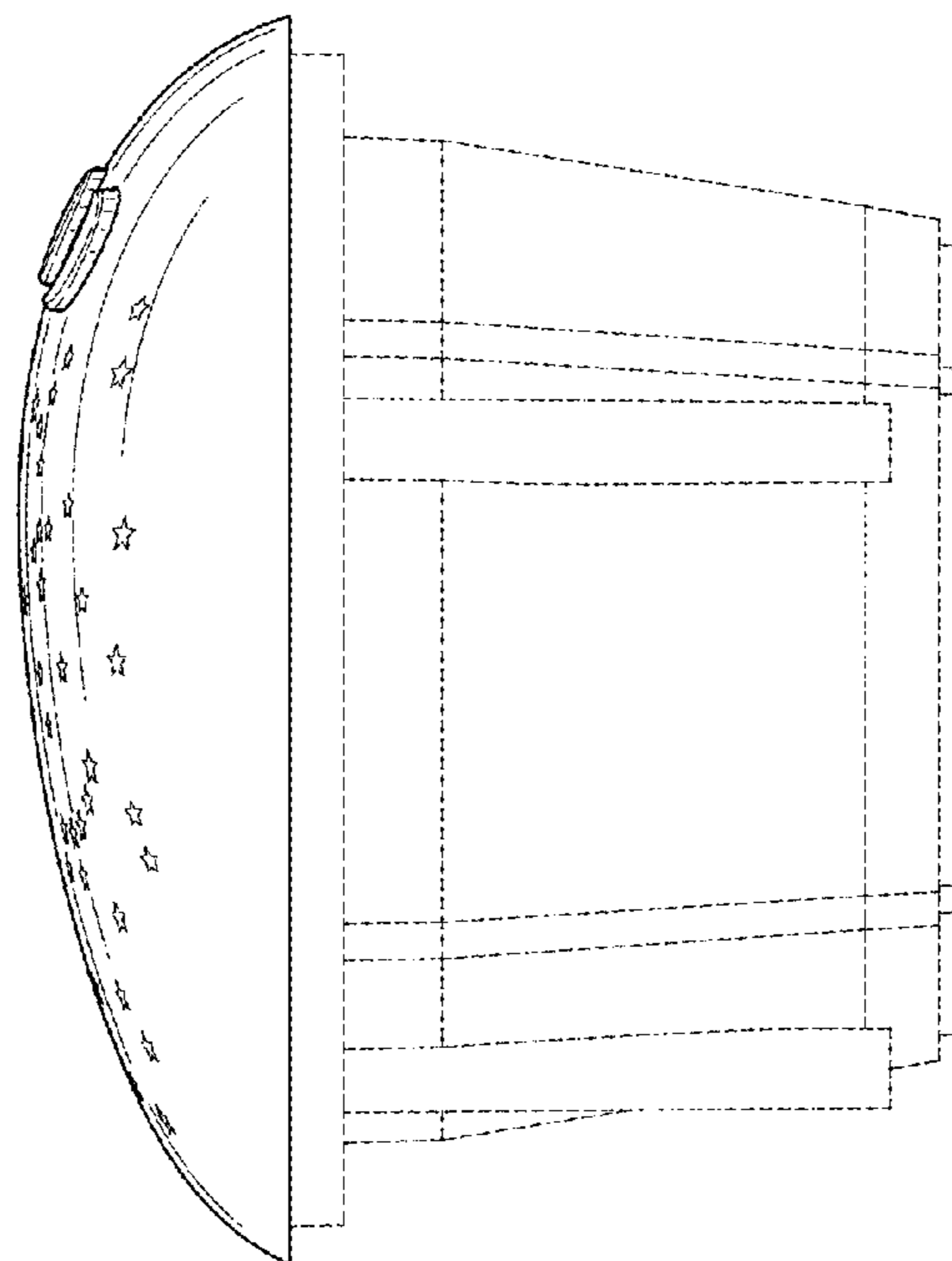


FIG. 3

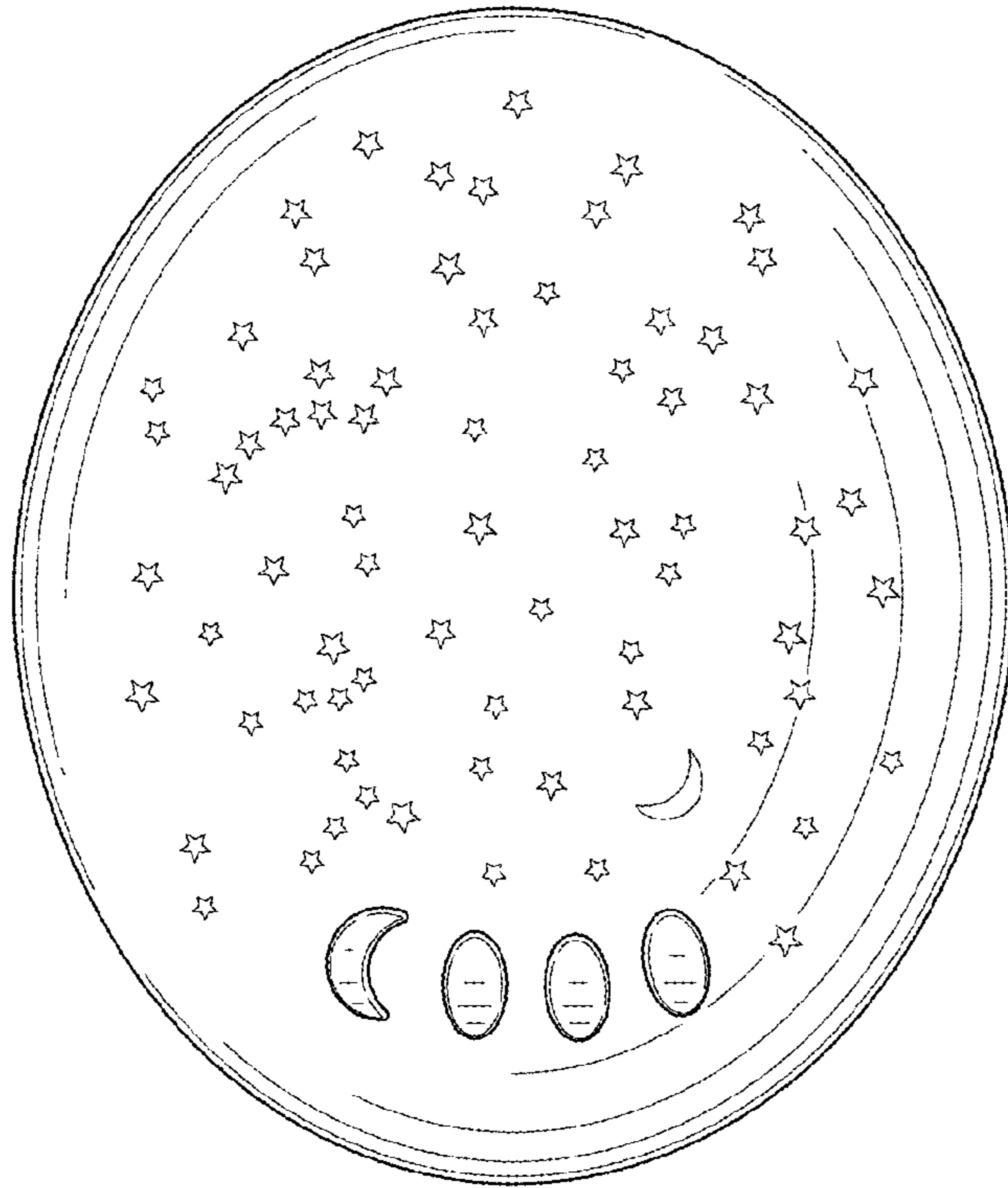
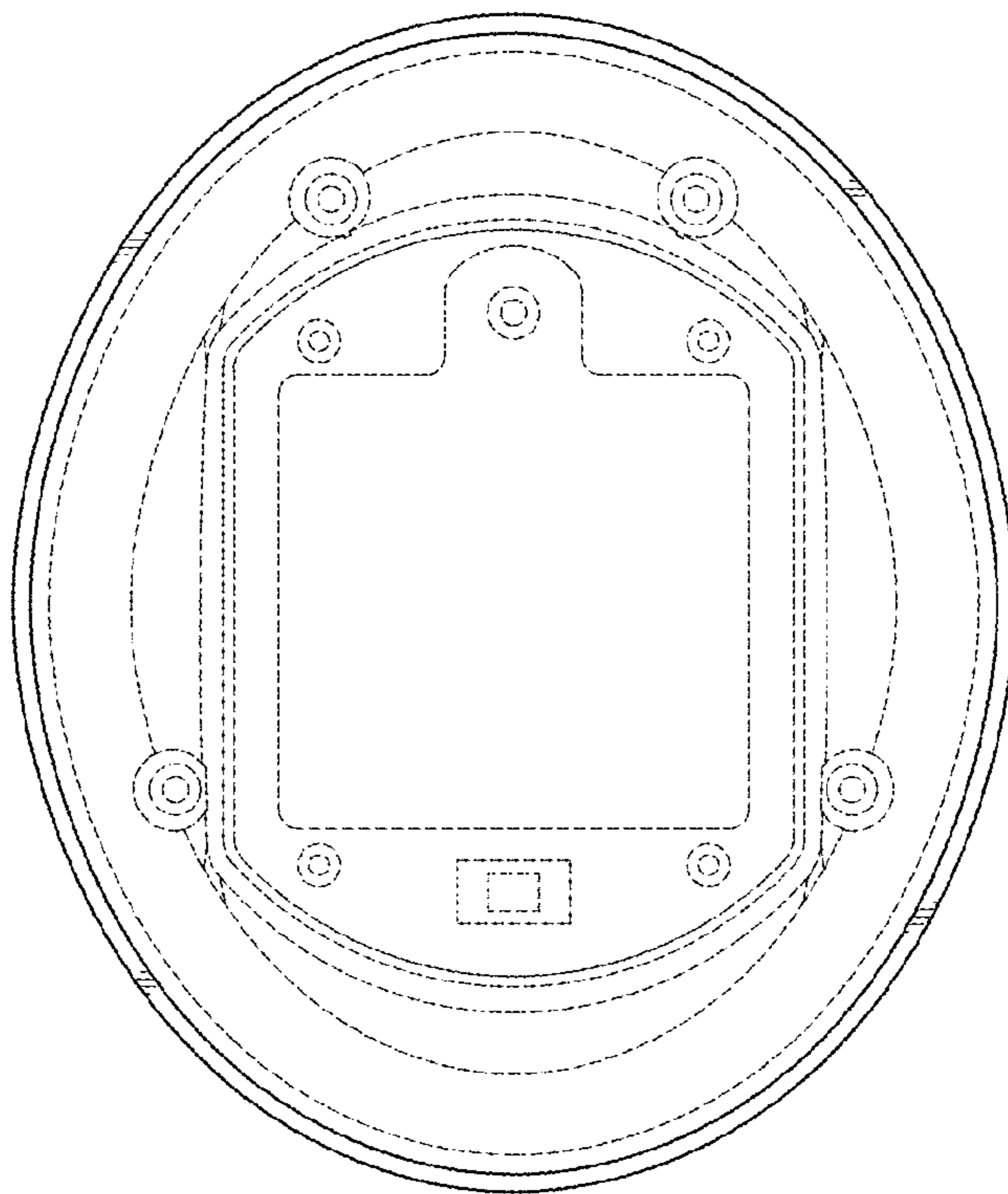


FIG. 6

FIG. 7



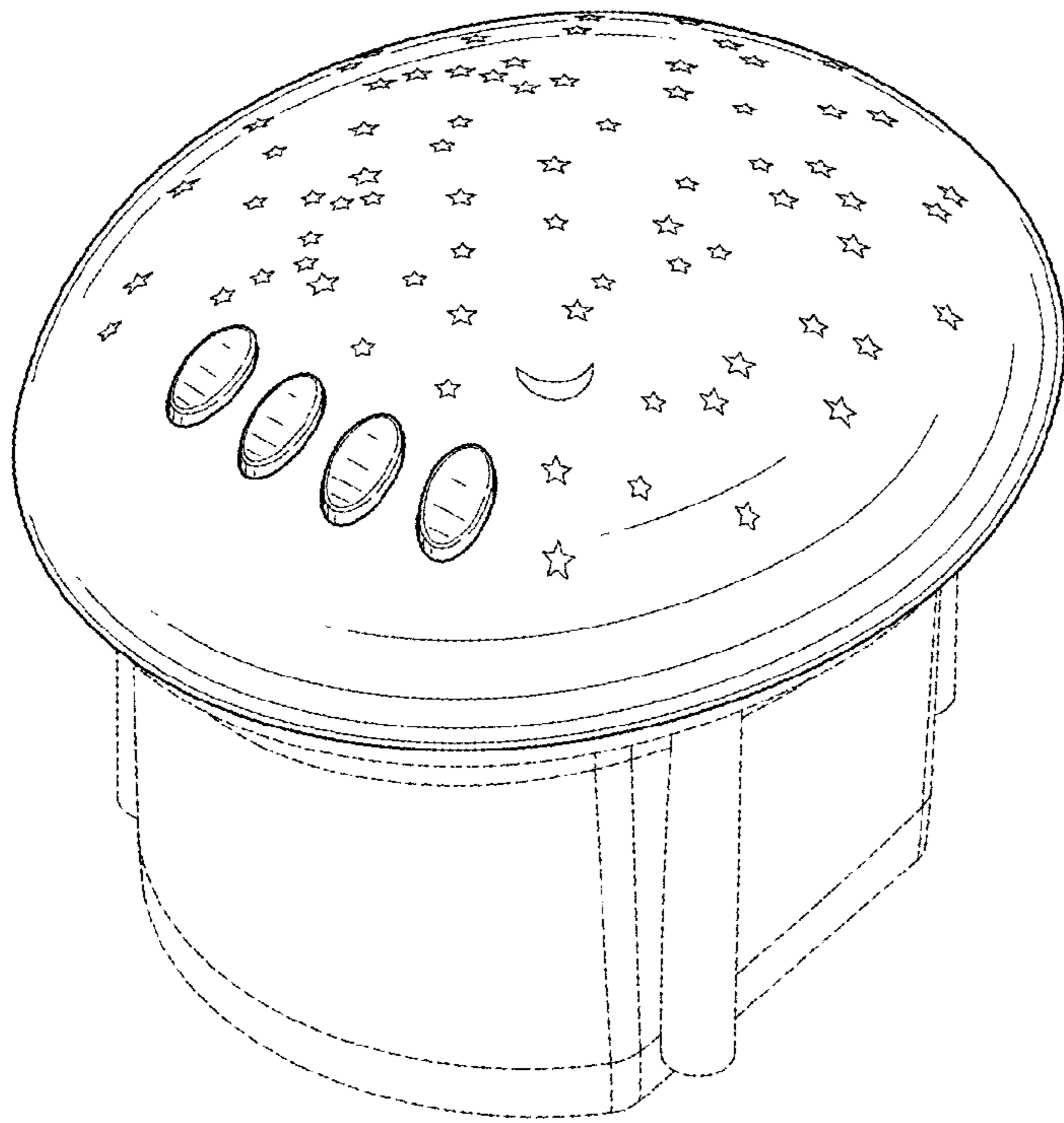


FIG. 8

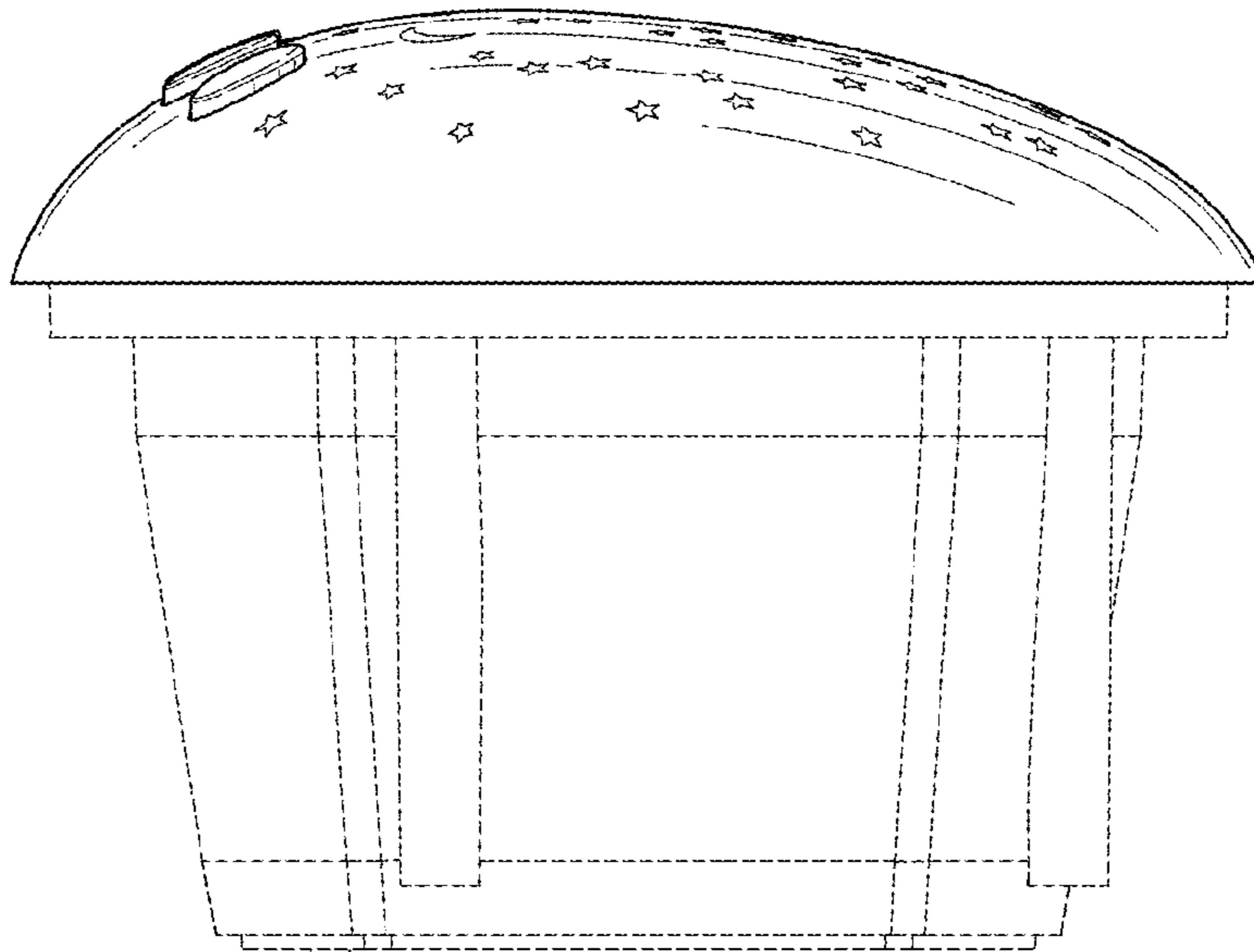


FIG. 9

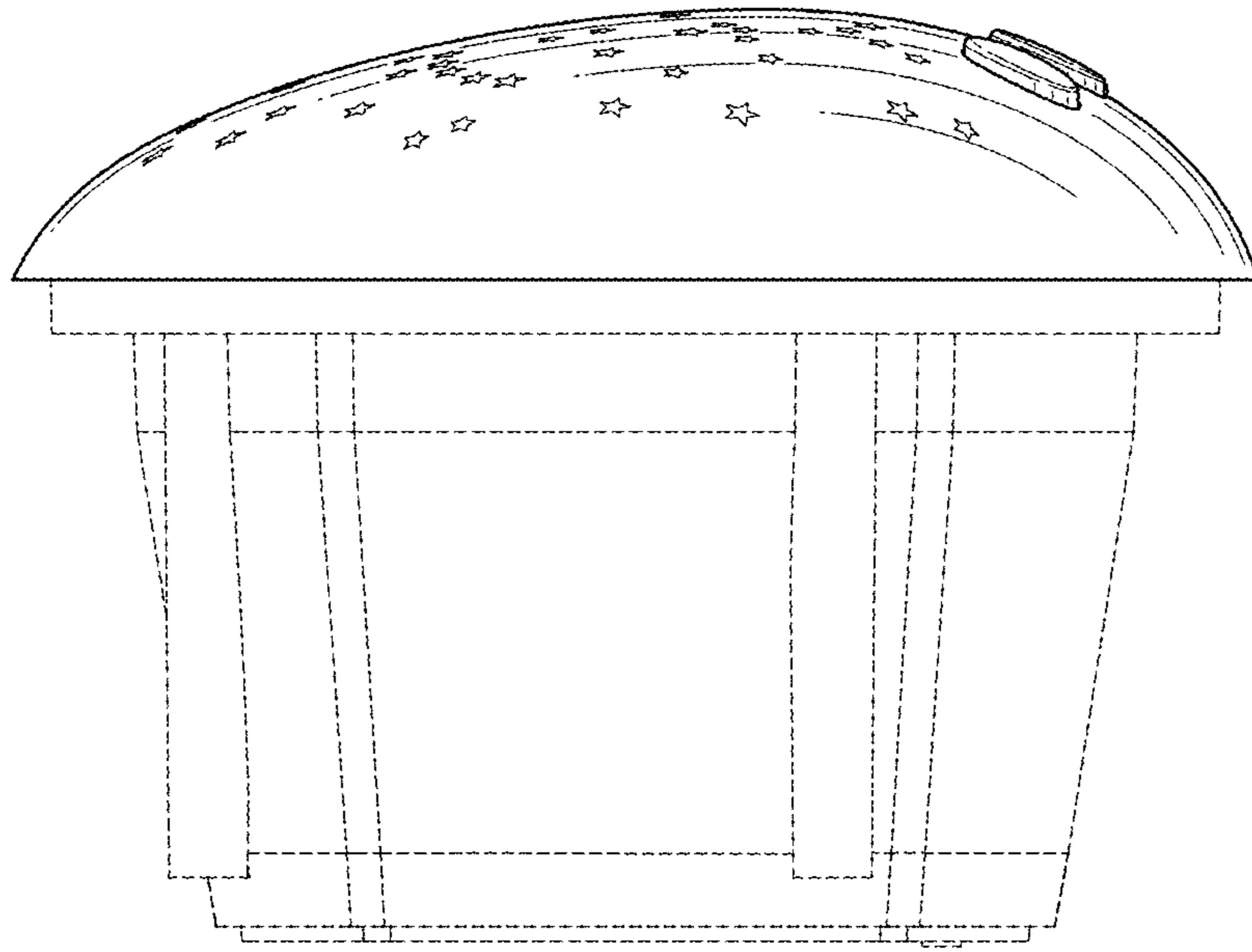


FIG. 10

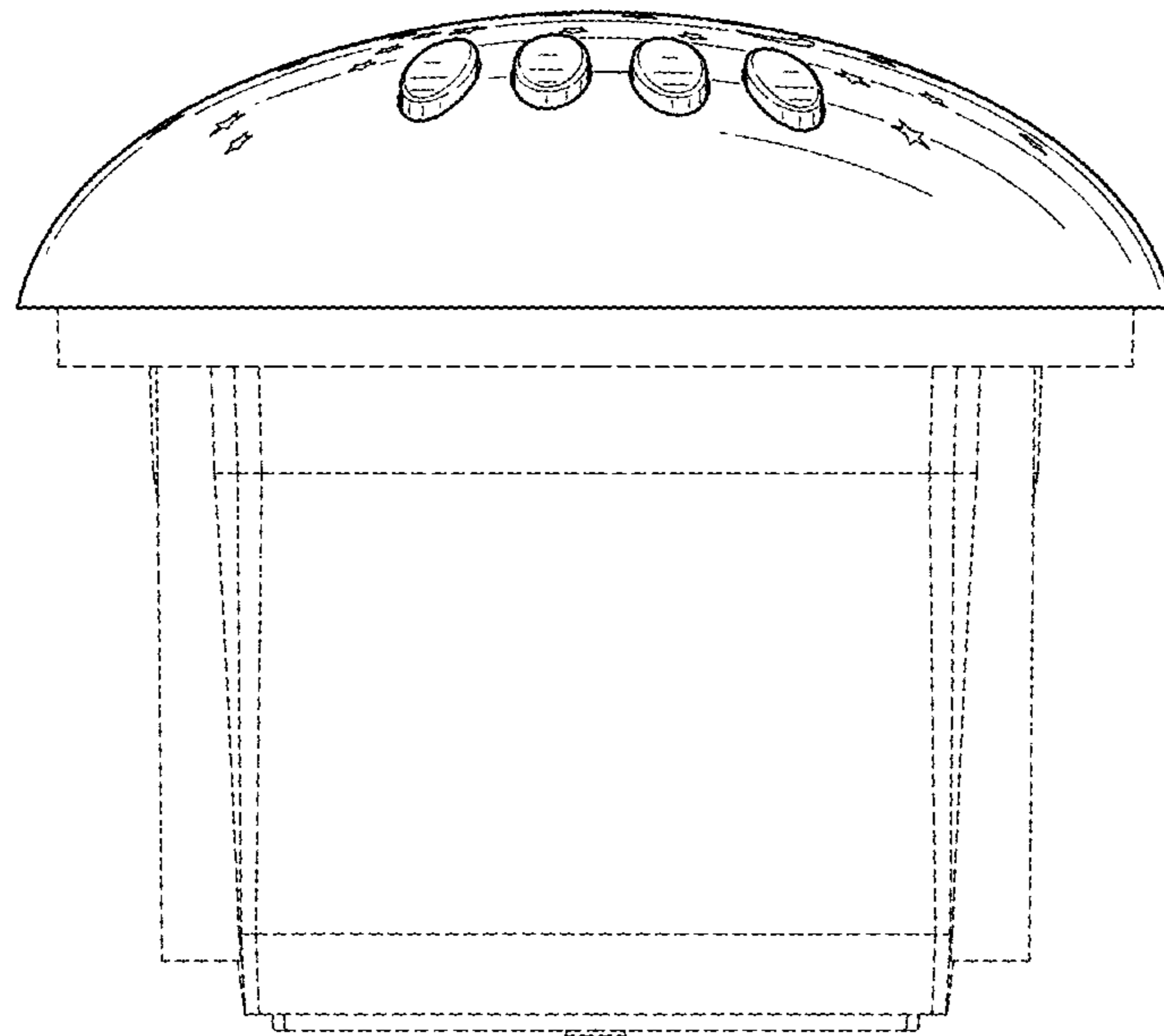


FIG. 11

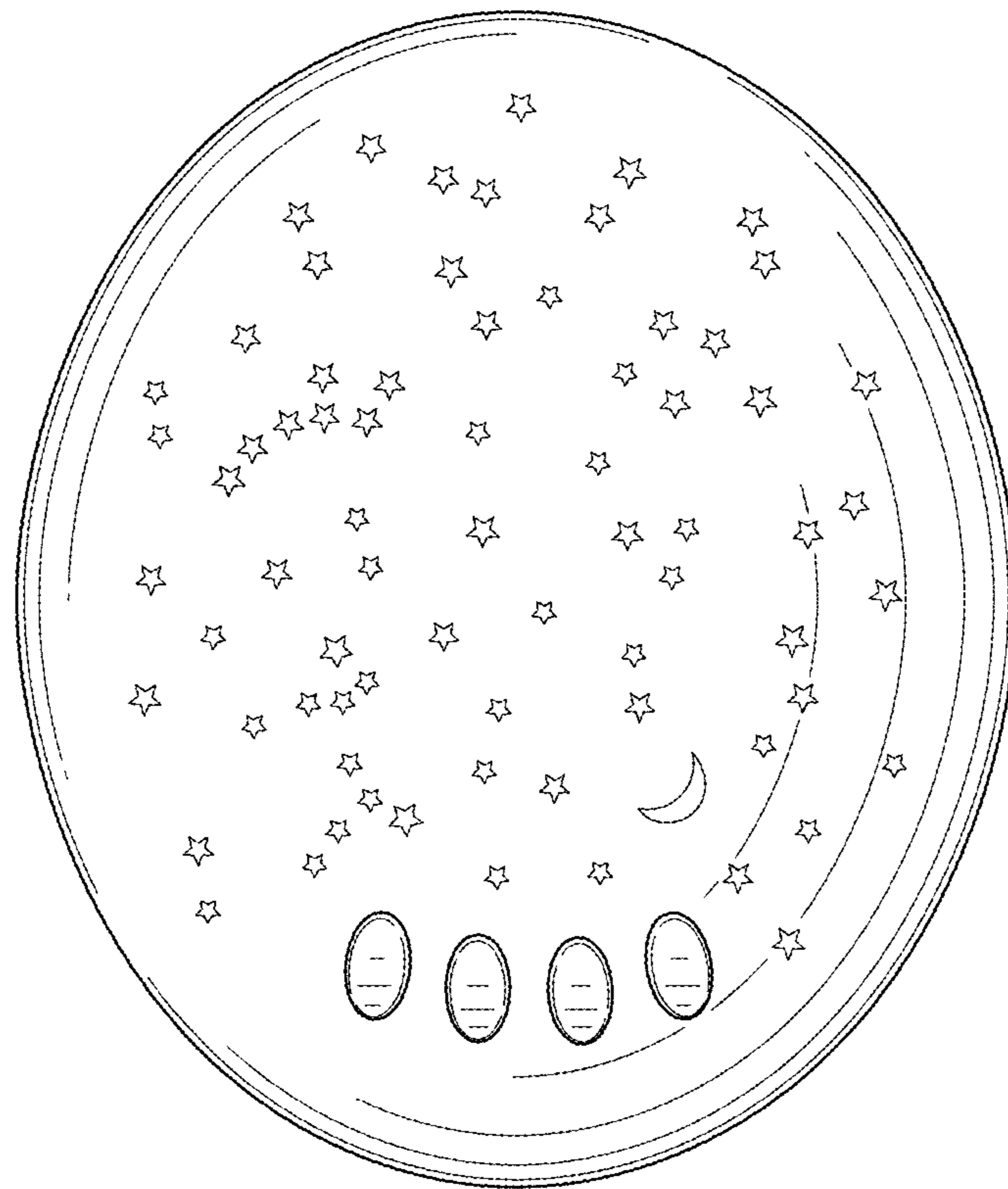


FIG. 12

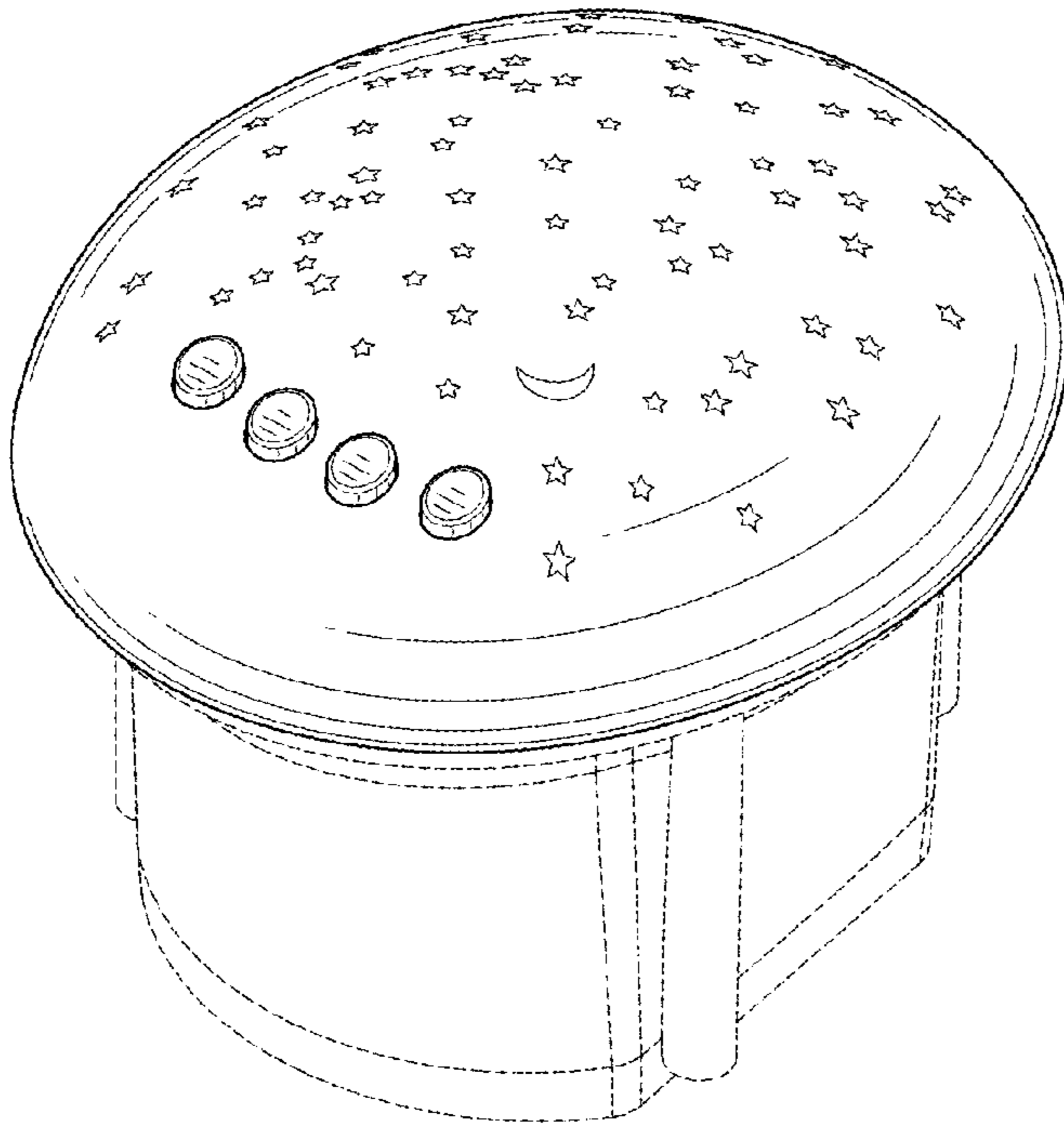


FIG. 13

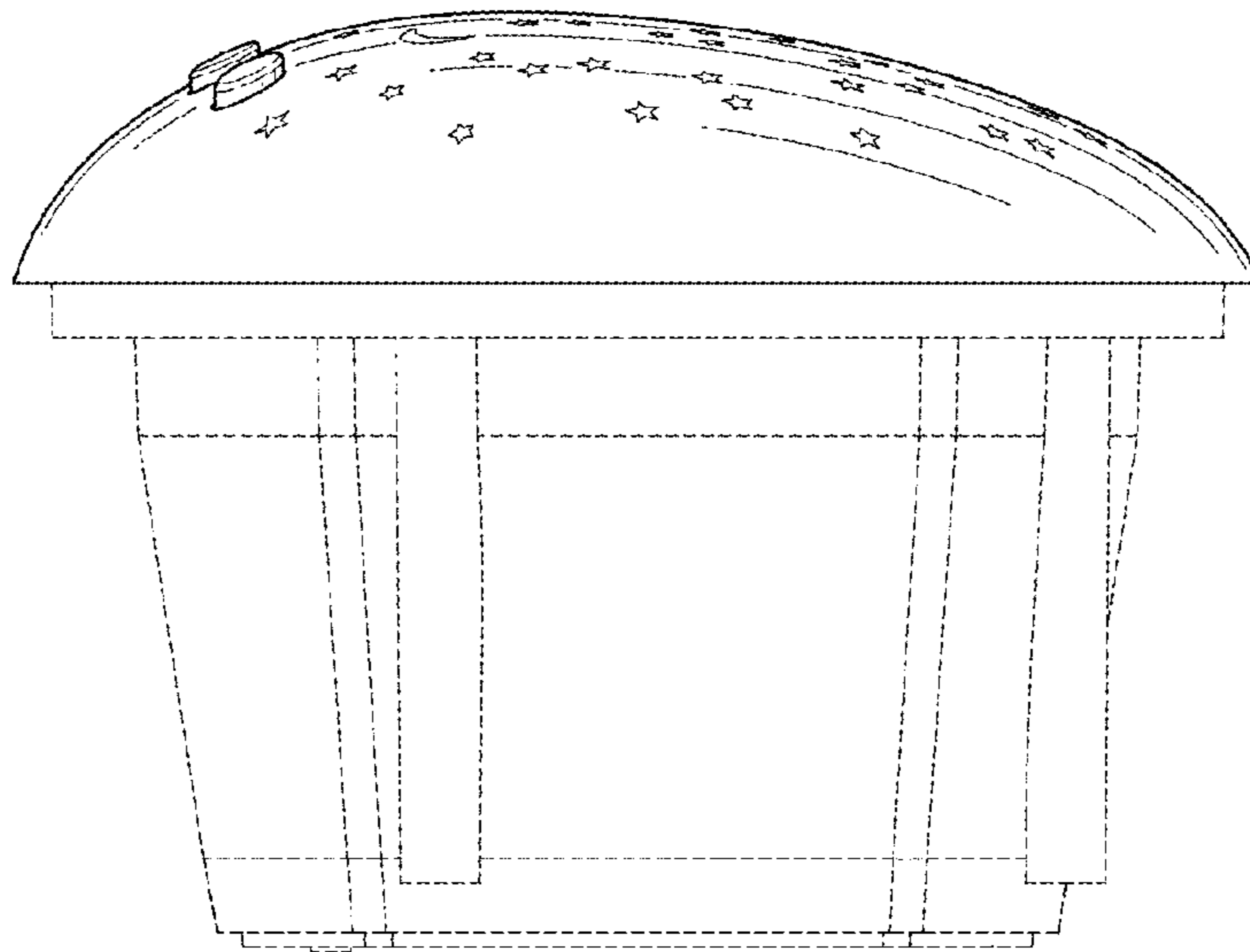


FIG. 14

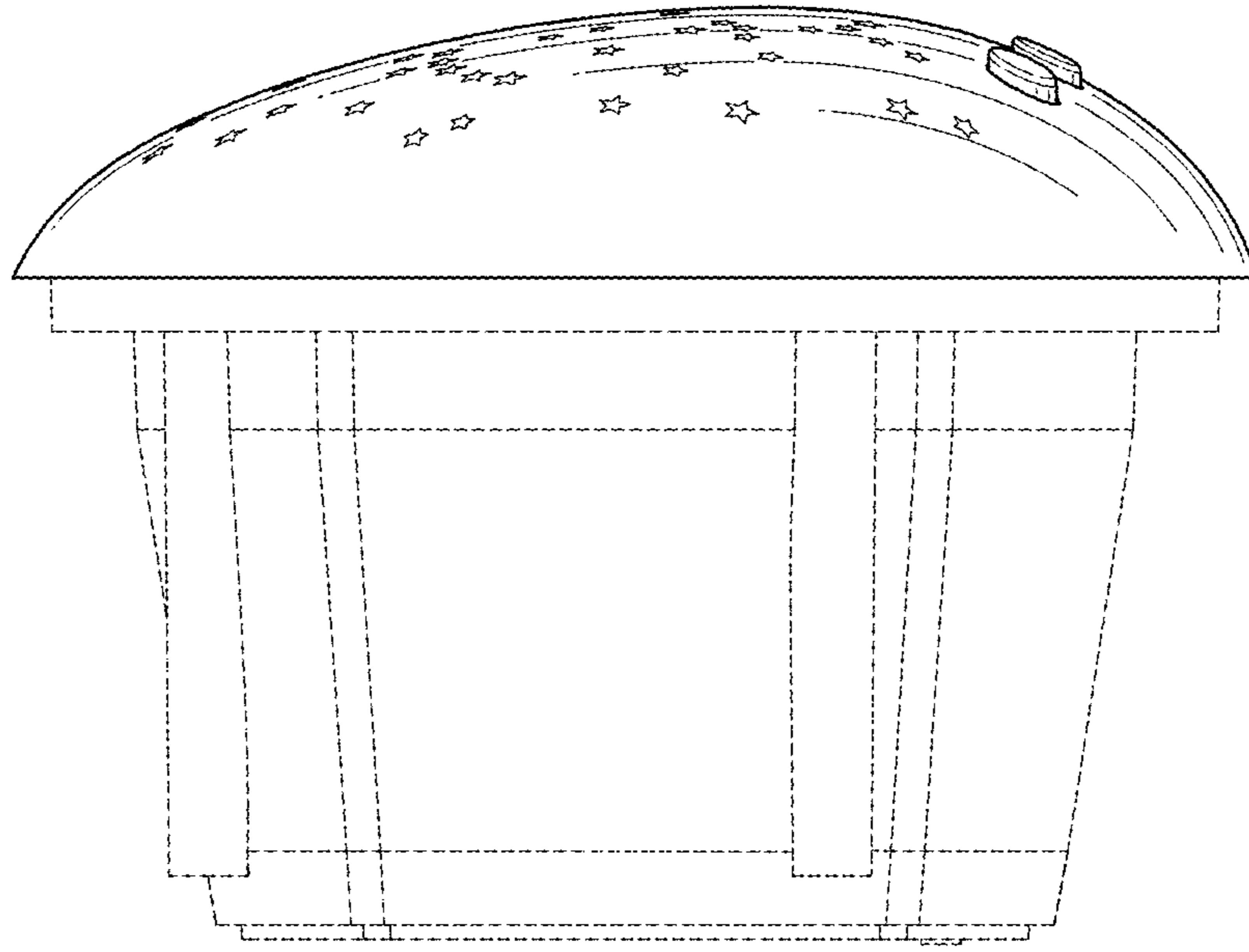


FIG. 15

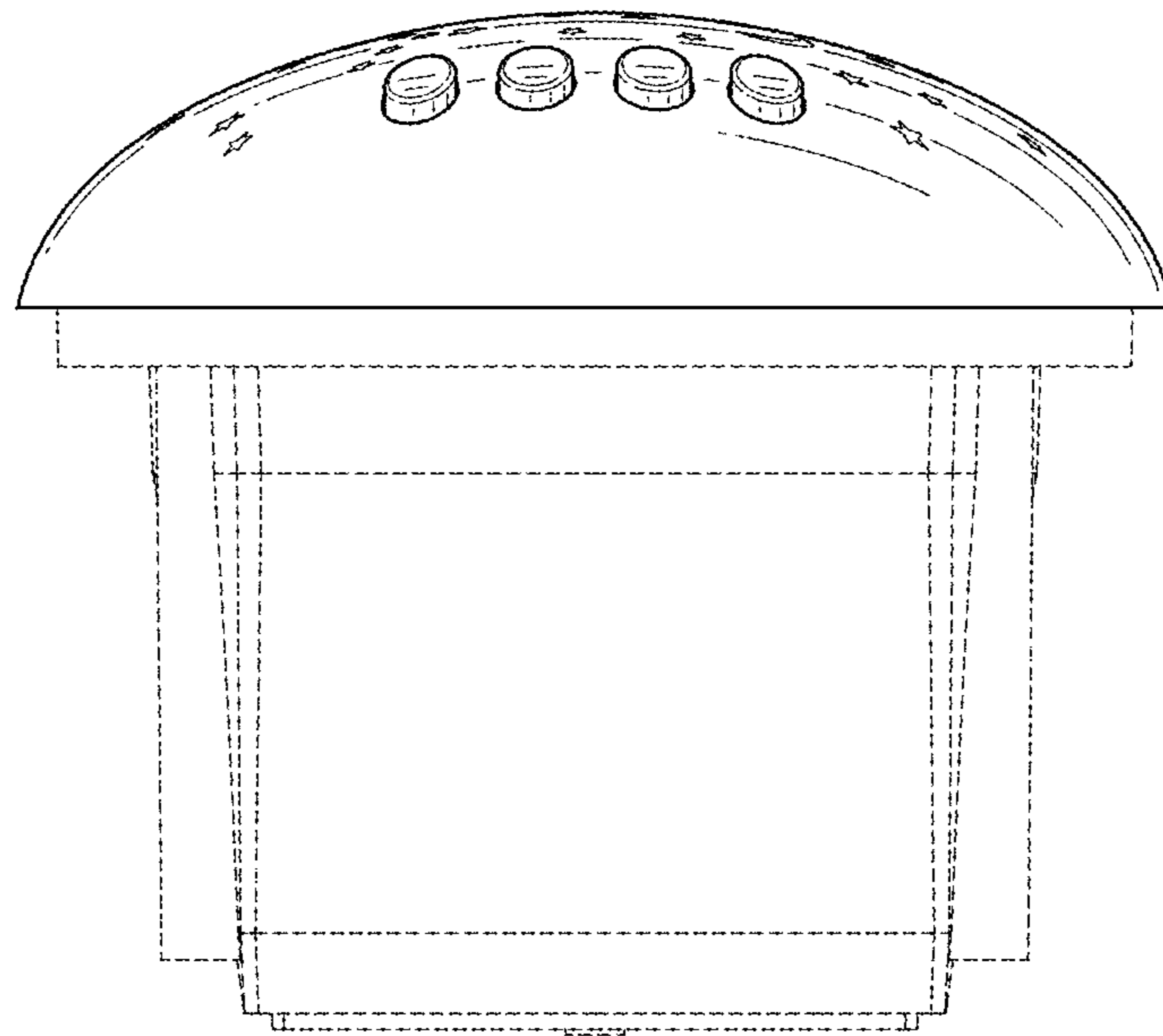


FIG. 16

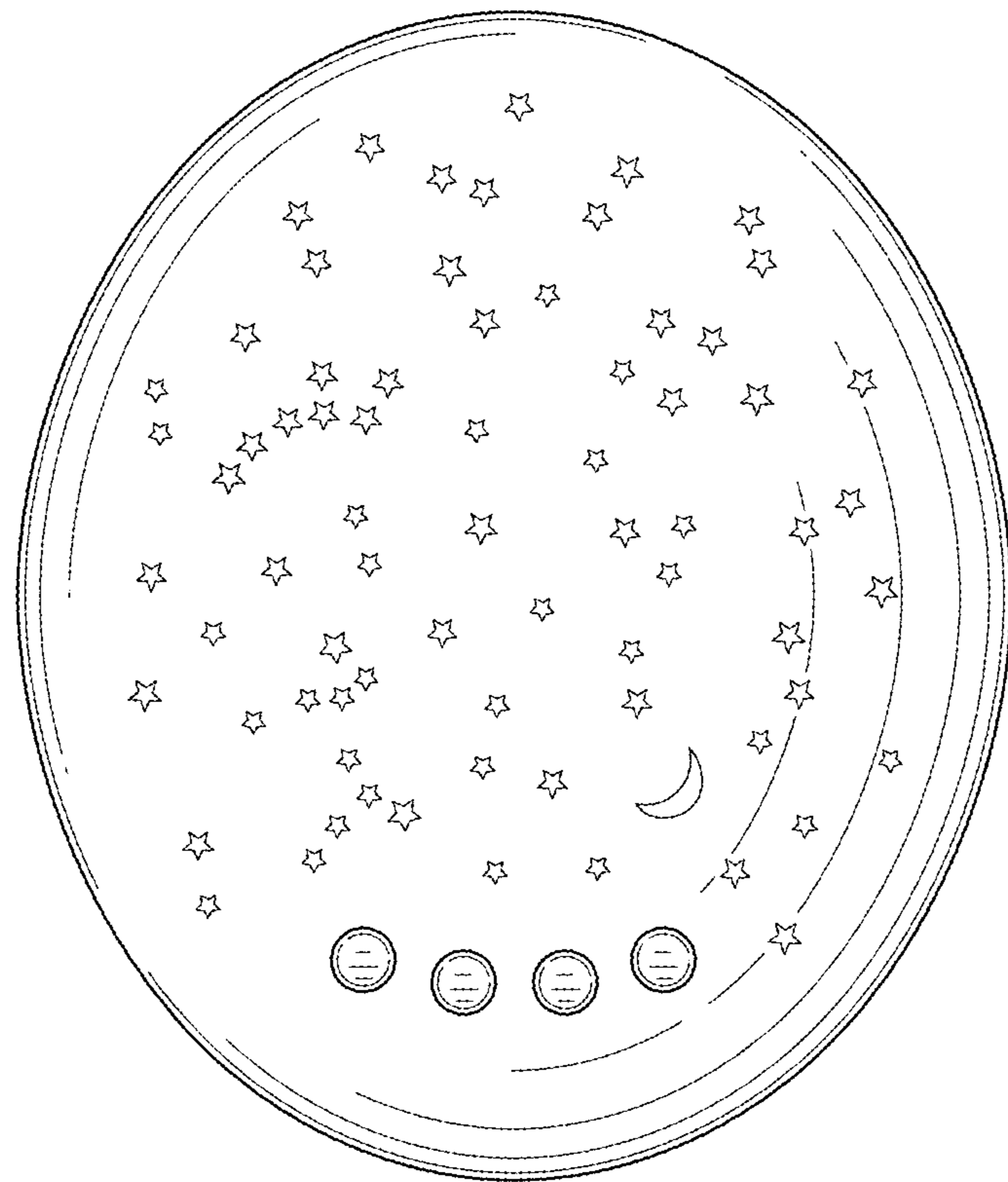


FIG. 17

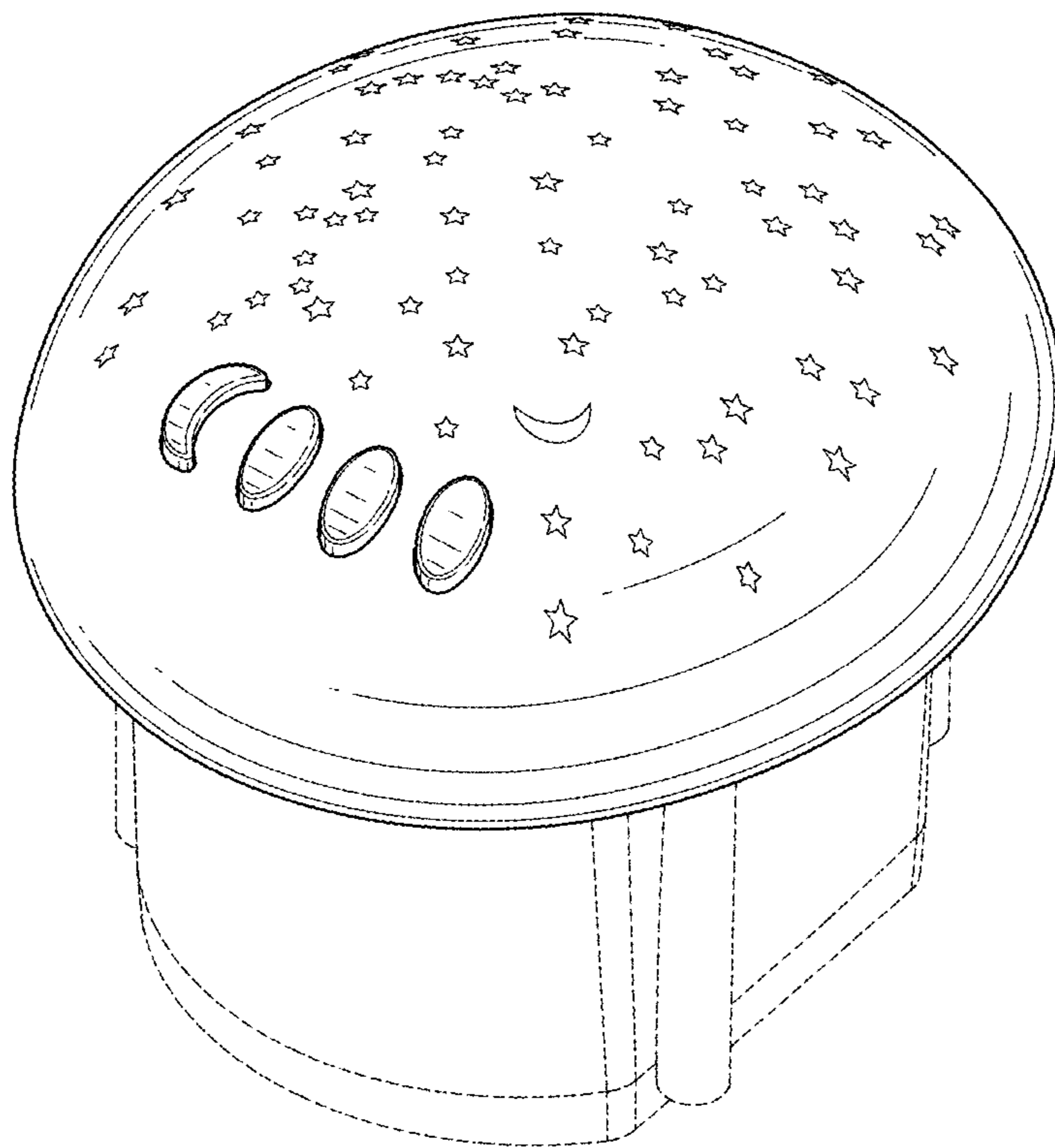


FIG. 18

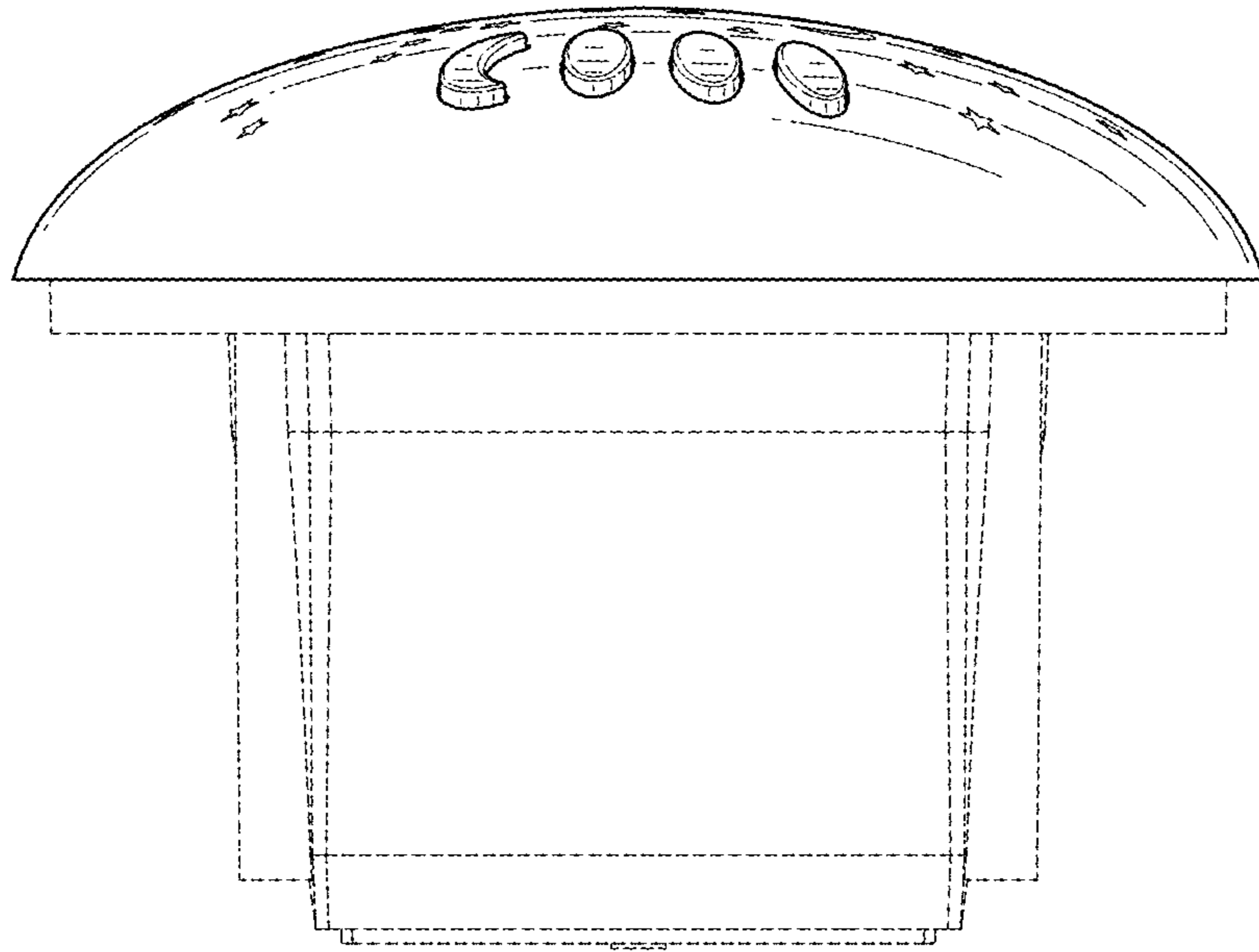


FIG. 19

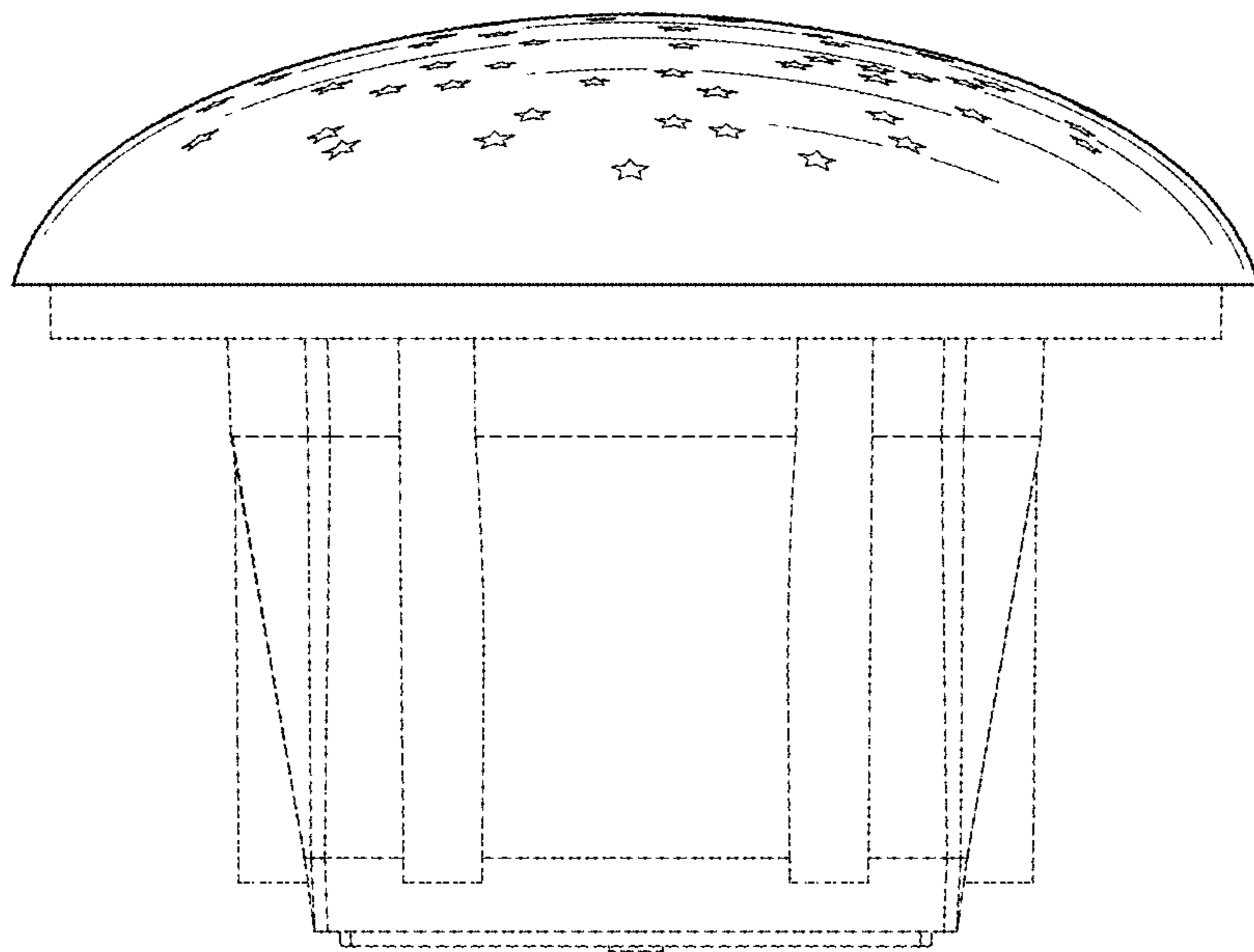


FIG. 20

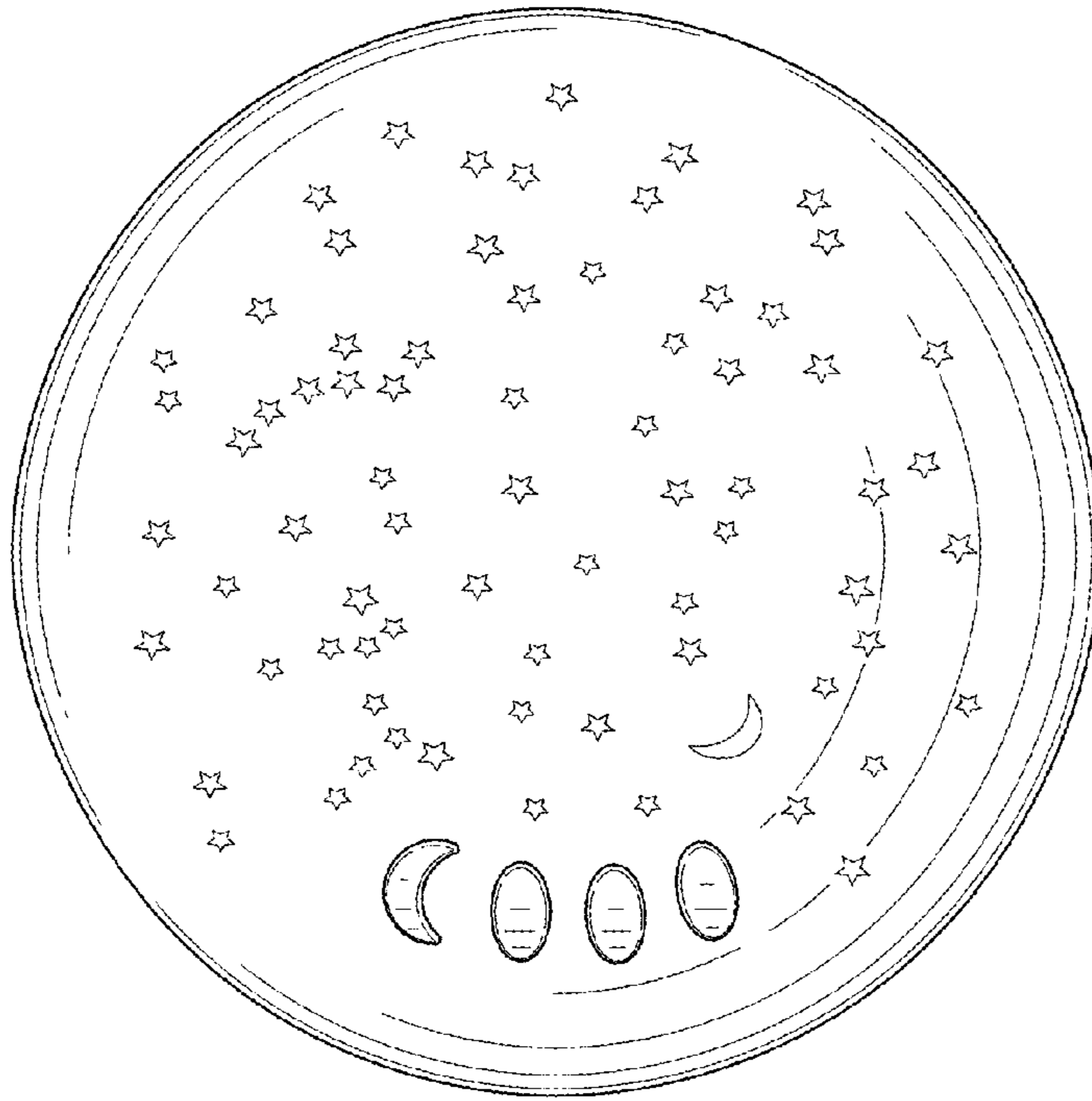


Fig. 21

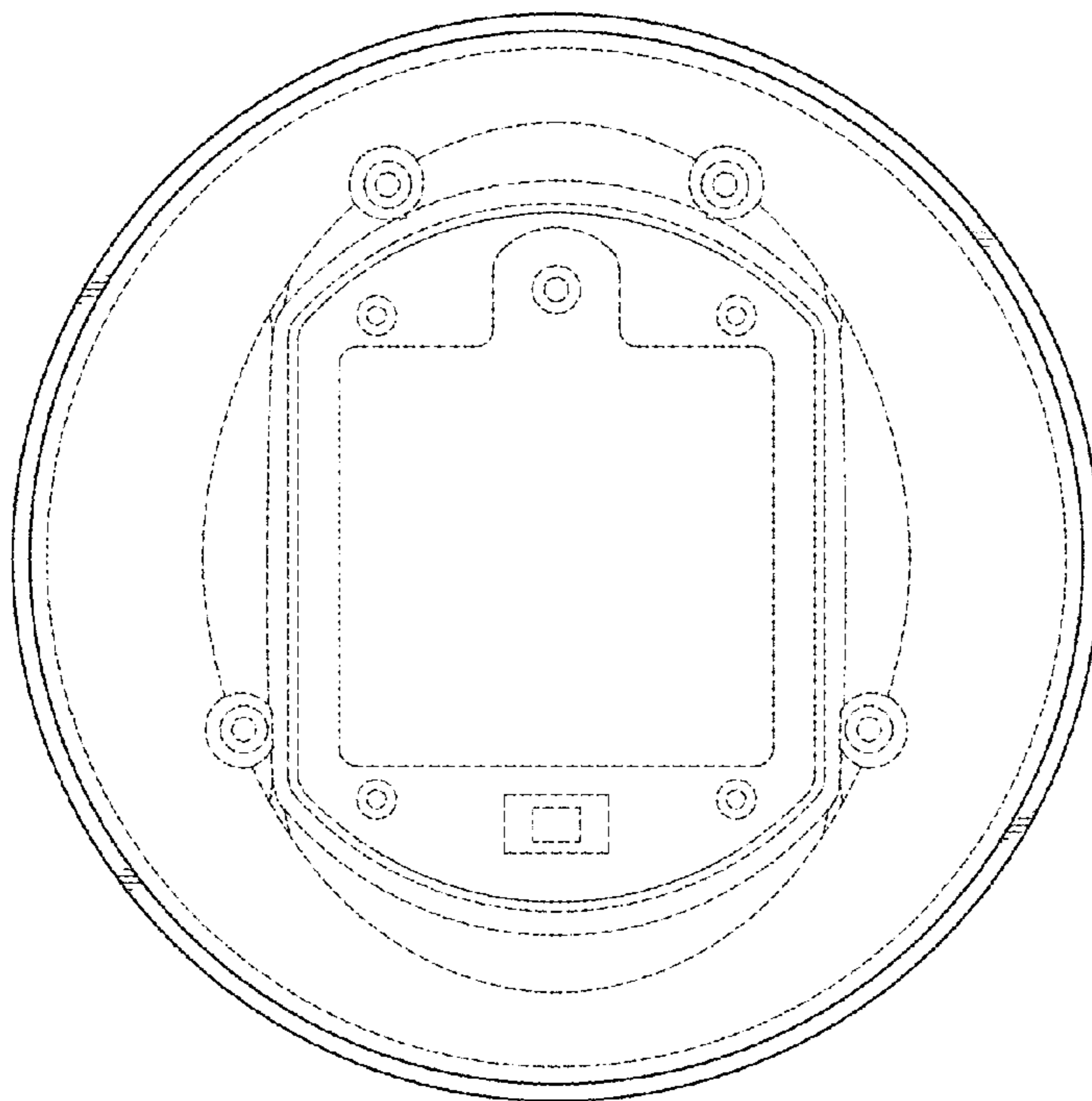


Fig. 22