



US00D731577S

(12) **United States Design Patent**  
**Hasuda**

(10) **Patent No.:** **US D731,577 S**  
(45) **Date of Patent:** **\*\* Jun. 9, 2015**

(54) **INTERMEDIATE ADAPTER FOR A CAMERA**

(56)

**References Cited**

(71) Applicant: **Nikon Corporation**, Tokyo (JP)

U.S. PATENT DOCUMENTS

(72) Inventor: **Masanori Hasuda**, Fujisawa (JP)

D235,578 S *	6/1975	Miyake et al.	D16/136
4,063,264 A	12/1977	Ando et al.	
D248,766 S *	8/1978	Arai	D16/134
4,118,713 A	10/1978	Murakami et al.	
D251,669 S	4/1979	Ueda et al.	
5,262,899 A	11/1993	Iizuka	
5,481,406 A	1/1996	Yamazaki et al.	
5,570,153 A	10/1996	Shono	
D375,969 S	11/1996	Watanabe	
D390,857 S	2/1998	Hayamizu	
D420,029 S	2/2000	Kimura et al.	
D425,088 S	5/2000	Watanabe	
D433,044 S	10/2000	Nagaoka et al.	
D441,382 S	5/2001	Konno et al.	
6,369,960 B2	4/2002	Azegami	

(73) Assignee: **Nikon Corporation**, Tokyo (JP)

(\*\*) Term: **14 Years**

(21) Appl. No.: **29/484,608**

(22) Filed: **Mar. 11, 2014**

**Related U.S. Application Data**

(62) Division of application No. 29/451,771, filed on Apr. 8, 2013, now Pat. No. Des. 706,853, which is a division of application No. 29/412,567, filed on Feb. 6, 2012, now Pat. No. Des. 698,843.

(30) **Foreign Application Priority Data**

Aug. 10, 2011	(JP)	2011-018386
Sep. 15, 2011	(JP)	2011-021121
Sep. 15, 2011	(JP)	2011-021122
Sep. 15, 2011	(JP)	2011-021123
Sep. 15, 2011	(JP)	2011-021124
Sep. 15, 2011	(JP)	2011-021125
Sep. 15, 2011	(JP)	2011-021126
Sep. 15, 2011	(JP)	2011-021127

(51) **LOC (10) Cl.** ..... **16-05**

(52) **U.S. Cl.**  
USPC ..... **D16/219**

(58) **Field of Classification Search**  
USPC ..... D16/134, 136, 200, 202-205, 218, 219;  
348/373-376; 359/826-828; 396/25,  
396/505, 529-532, 535, 539-541  
CPC ..... G03B 17/02; G03B 19/04; G03B 17/56;  
G03B 17/04; G03B 15/03; G03B 17/14;  
H04N 5/2251; H04N 5/2252; H04N 5/2253;  
H04N 5/2254; G02B 7/02; G02B 7/04;  
G02B 7/14

See application file for complete search history.

(Continued)

*Primary Examiner* — Adir Aronovich

*Assistant Examiner* — Ramzi Almatrahi

(74) *Attorney, Agent, or Firm* — Wolf, Greenfield & Sacks, P.C.; Randy J. Pritzker

(57)

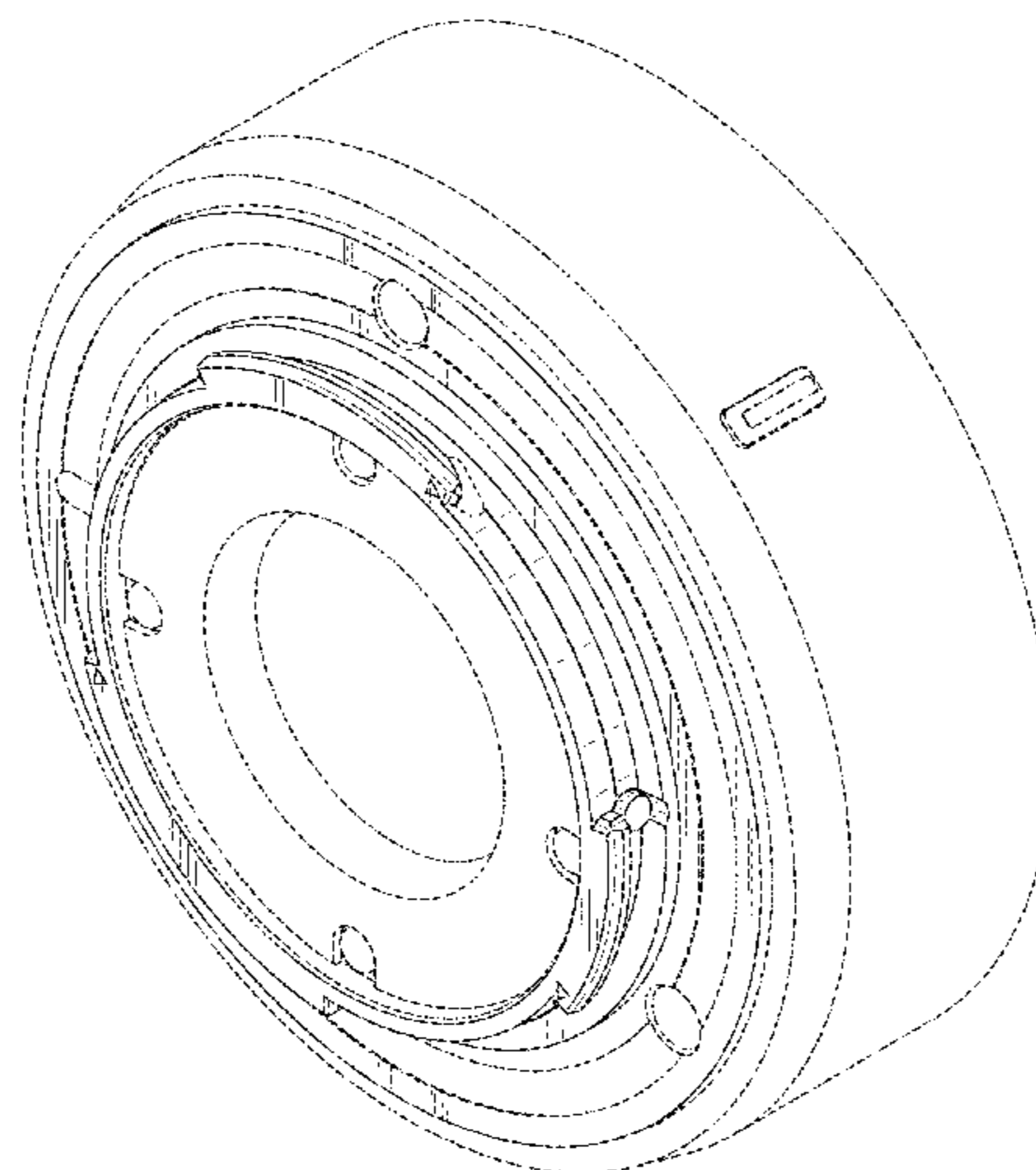
**CLAIM**

The ornamental design for an intermediate adapter for camera, as shown and described.

**DESCRIPTION**

FIG. 1 is a perspective view of an intermediate adapter for a camera showing my new design;  
FIG. 2 is a rear elevational view thereof;  
FIG. 3 is a top plan view thereof;  
FIG. 4 is a bottom plan view thereof;  
FIG. 5 is a right side elevational view thereof; and,  
FIG. 6 is a left side elevational view thereof.  
The features shown in broken lines in the drawings depict environmental subject matter only and form no part of the claimed design.

**1 Claim, 6 Drawing Sheets**



(56)

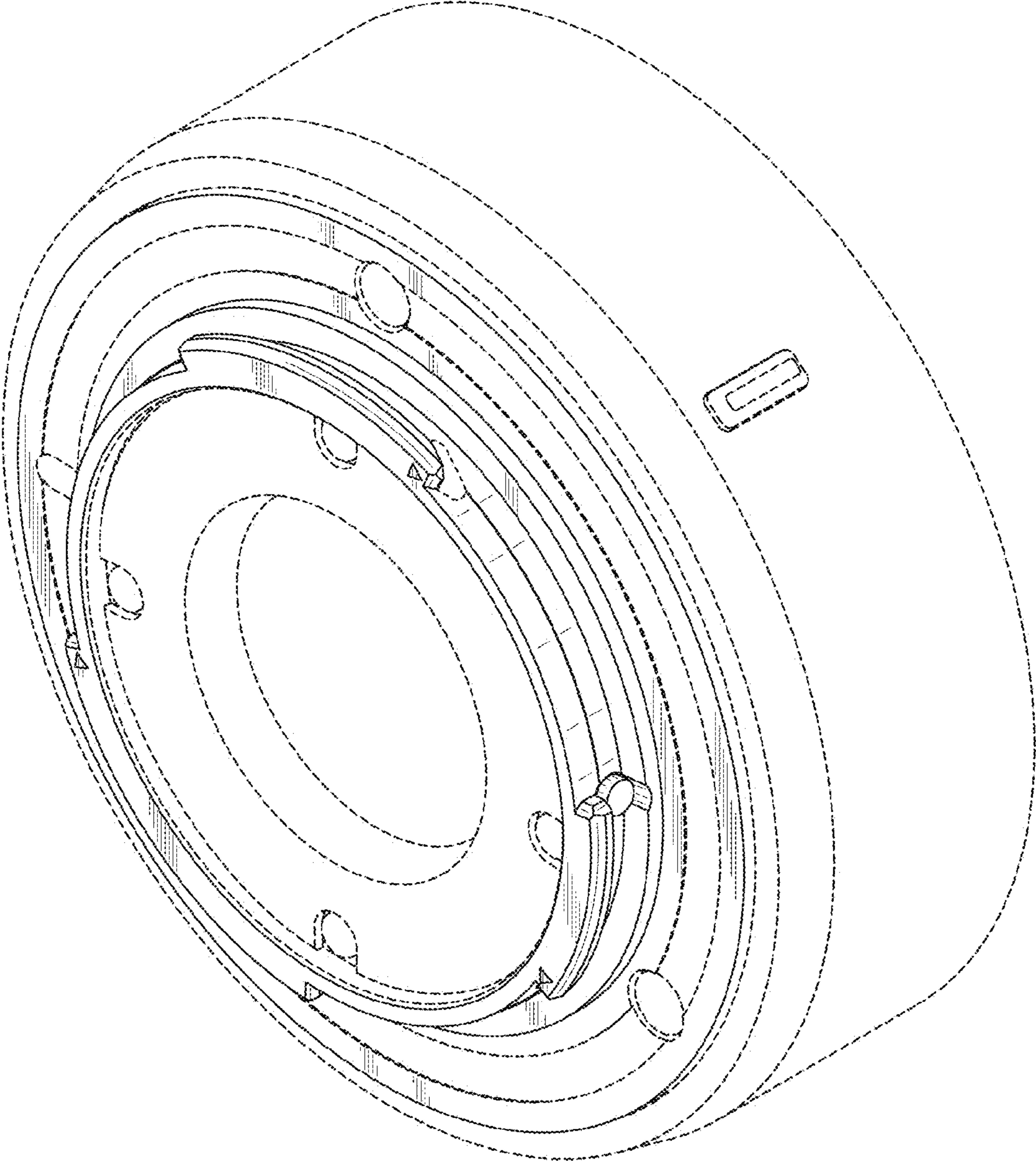
**References Cited**

U.S. PATENT DOCUMENTS

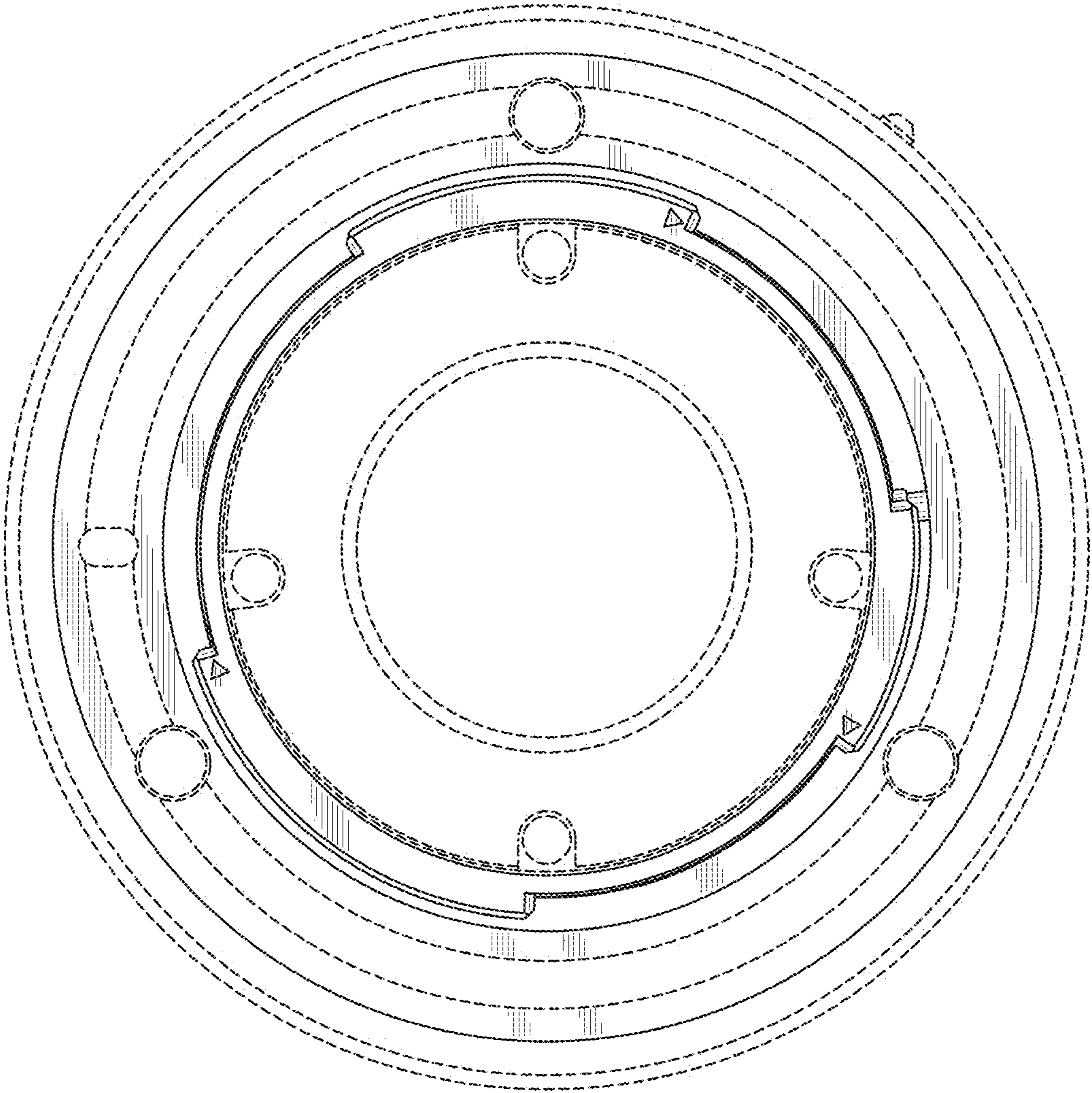
6,554,503 B2	4/2003	Imanari et al.	7,848,634 B2	12/2010	Kranz et al.	
D482,377 S	11/2003	Tajima	7,853,137 B2	12/2010	Yang	
6,738,570 B2 *	5/2004	Shinohara et al. .... 396/25	7,961,411 B2	6/2011	Lee	
D523,057 S	6/2006	Watanabe	7,988,372 B2	8/2011	Lee et al.	
D537,096 S	2/2007	Tokiwa et al.	8,002,483 B2 *	8/2011	Fujiwara et al. .... 396/531	
D537,461 S	2/2007	Tokiwa et al.	8,027,576 B2	9/2011	Lai	
D539,320 S	3/2007	Tokiwa et al.	D665,837 S	8/2012	Tainaka	
D540,363 S	4/2007	Tokiwa et al.	D670,751 S	11/2012	Koyama et al.	
D549,263 S	8/2007	Tokiwa et al.	D671,586 S	11/2012	Asano et al.	
D549,264 S	8/2007	Tokiwa	D682,911 S *	5/2013	Ohashi ..... D16/219	
D550,745 S *	9/2007	Watanabe ..... D16/219	D688,292 S *	8/2013	Koyama et al. .... D16/219	
D552,147 S	10/2007	Tajima	D692,475 S	10/2013	Hasuda	
D559,884 S	1/2008	Tokiwa	D696,709 S *	12/2013	Sato ..... D16/219	
7,593,169 B2	9/2009	Ouchi	D718,361 S	11/2014	Noh	
7,625,144 B2	12/2009	Kranz et al.	D721,117 S	1/2015	Hasuda	
7,798,137 B2	9/2010	Ewing	2010/0226023 A1	9/2010	Lee	
7,798,731 B2	9/2010	Kurosawa	2011/0013902 A1 *	1/2011	Kim ..... 396/530	
			2011/0274424 A1	11/2011	Fujiwara et al.	
			2012/0039595 A1	2/2012	Youn	
			2013/0265664 A1 *	10/2013	Iinuma et al. .... 359/828	

\* cited by examiner

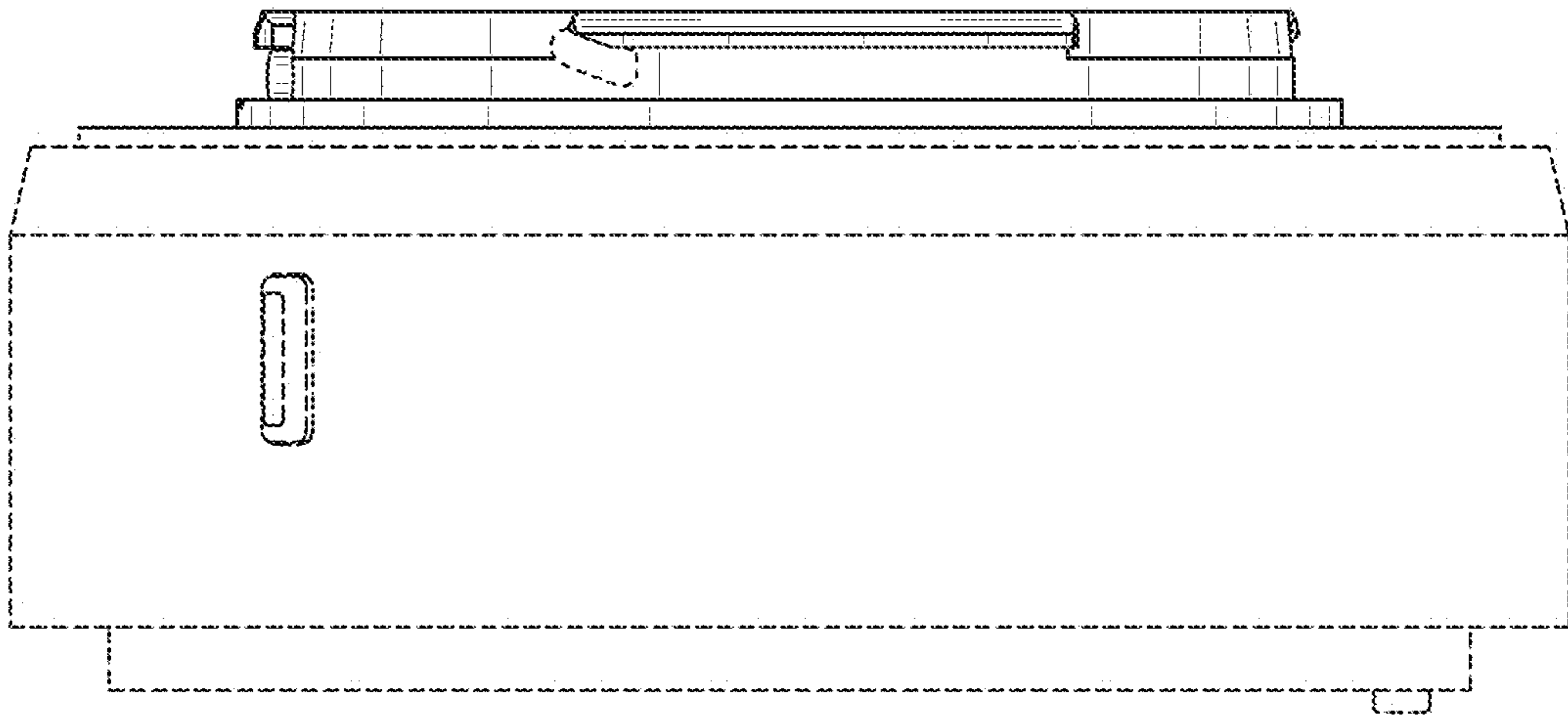
**FIG. 1**



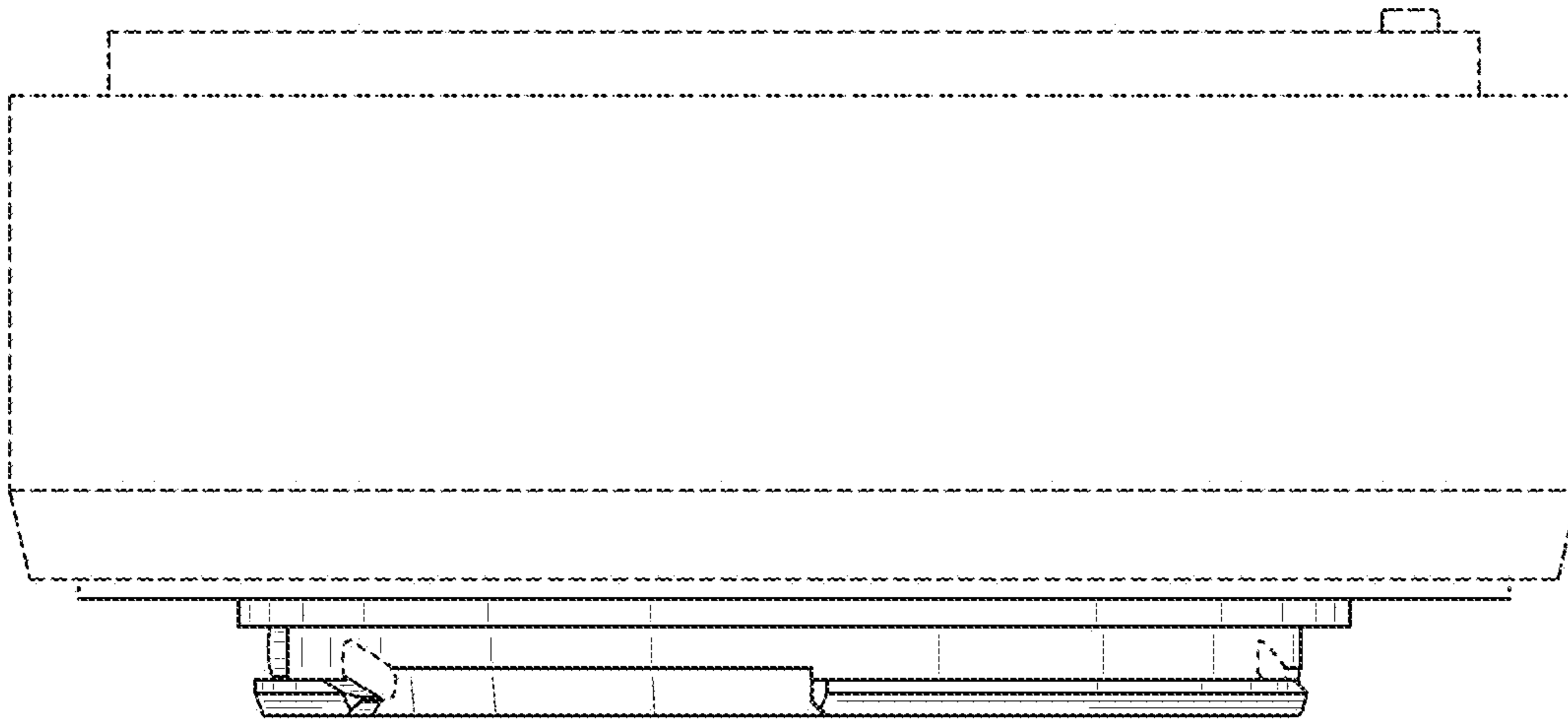
**FIG. 2**



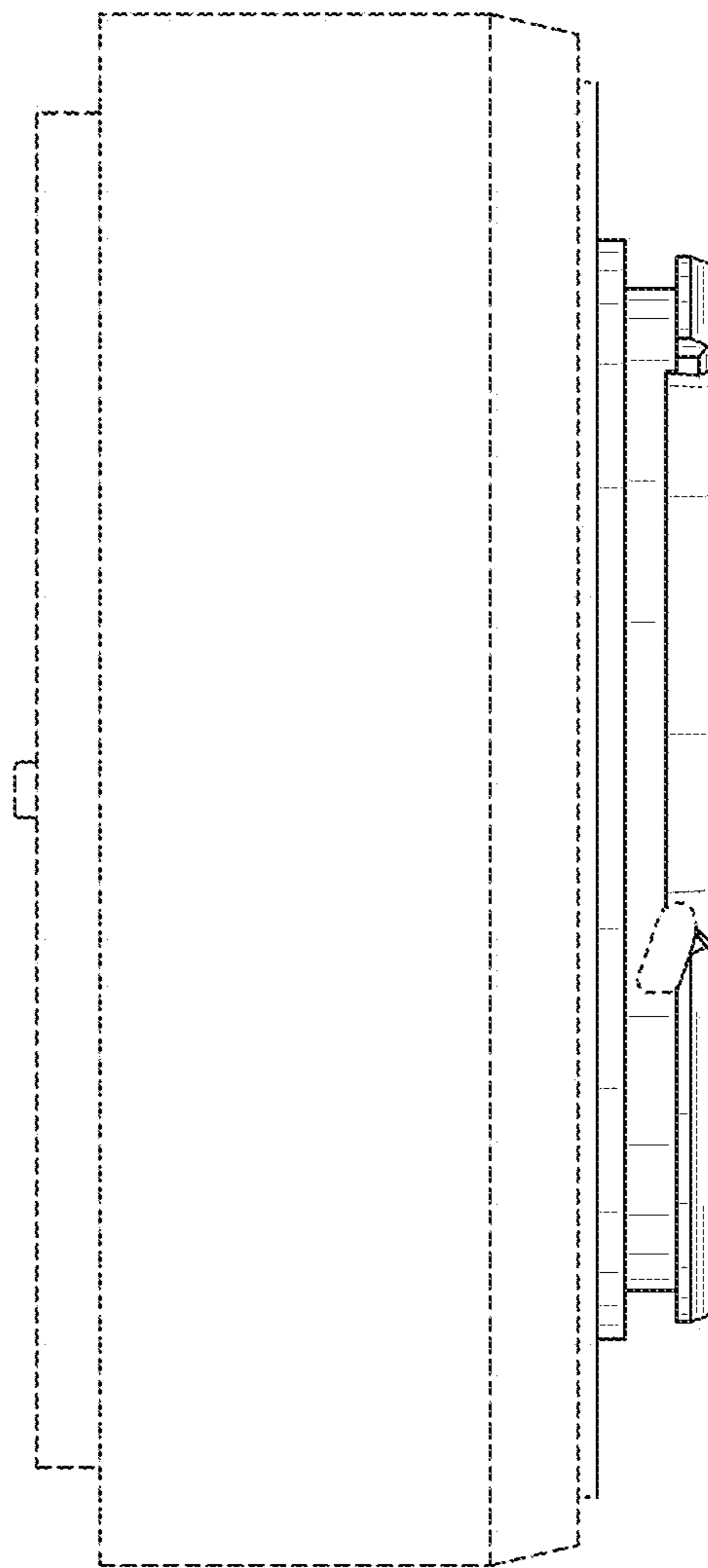
*FIG. 3*



***FIG. 4***



**FIG. 5**



**FIG. 6**

