

US00D731575S

(12) **United States Design Patent**  
**Moss**

(10) **Patent No.:** **US D731,575 S**  
(45) **Date of Patent:** **\*\* Jun. 9, 2015**

(54) **PHOTO BOOTH**

(71) Applicant: **Kenneth Joseph Moss**, Forest Hill, MD  
(US)

(72) Inventor: **Kenneth Joseph Moss**, Forest Hill, MD  
(US)

(\*\*) Term: **14 Years**

(21) Appl. No.: **29/480,978**

(22) Filed: **Jan. 31, 2014**

(51) **LOC (10) Cl.** ..... **16-01**

(52) **U.S. Cl.**  
USPC ..... **D16/215**

(58) **Field of Classification Search**  
USPC ..... D16/215, 237; D25/16; 49/40; 52/27.5,  
52/29; 396/2-5

See application file for complete search history.

(56) **References Cited**

**U.S. PATENT DOCUMENTS**

D242,923 S \* 1/1977 Dattner ..... D25/16  
D251,613 S \* 4/1979 Wollman ..... D25/16

D307,081 S \* 4/1990 Allen ..... D25/16  
D311,956 S \* 11/1990 Barnes ..... D25/16  
5,653,063 A \* 8/1997 Barnett et al. .... D16/215  
5,778,258 A \* 7/1998 Zamoyski ..... 396/2  
D408,835 S \* 4/1999 Tiedemann et al. .... D16/215  
6,061,971 A \* 5/2000 Wolters et al. .... 52/27.5  
D514,844 S \* 2/2006 Cravens et al. .... D25/16  
D647,938 S \* 11/2011 Geddes ..... D16/215

\* cited by examiner

*Primary Examiner* — Adir Aronovich

(57) **CLAIM**

The ornamental design for a photo booth, as shown and described.

**DESCRIPTION**

FIG. 1 is a front and right side perspective view of a photo booth showing my new design;  
FIG. 2 is a front elevation view of the photo booth;  
FIG. 3 is a rear elevation view of the photo booth;  
FIG. 4 is a left side elevation view of the photo booth;  
FIG. 5 is a right side elevation view of the photo booth;  
FIG. 6 is a top plan view of the photo booth; and,  
FIG. 7 is a bottom plan view of the photo booth.

**1 Claim, 6 Drawing Sheets**

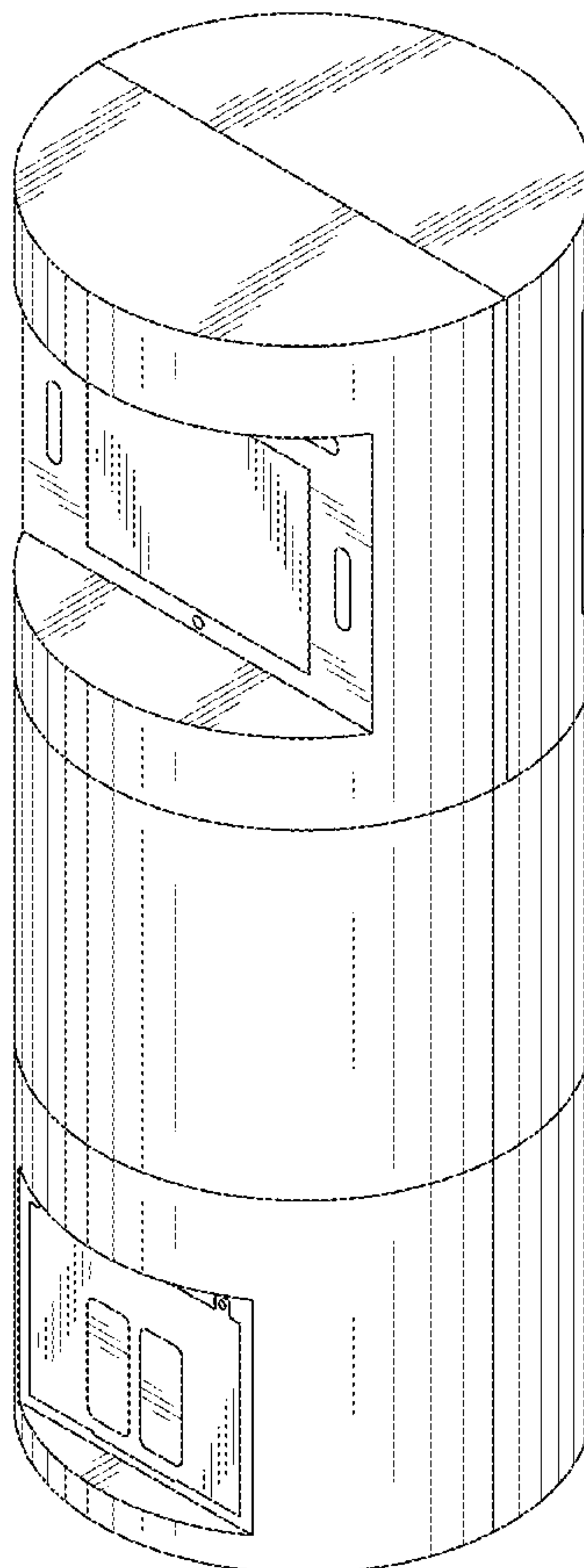
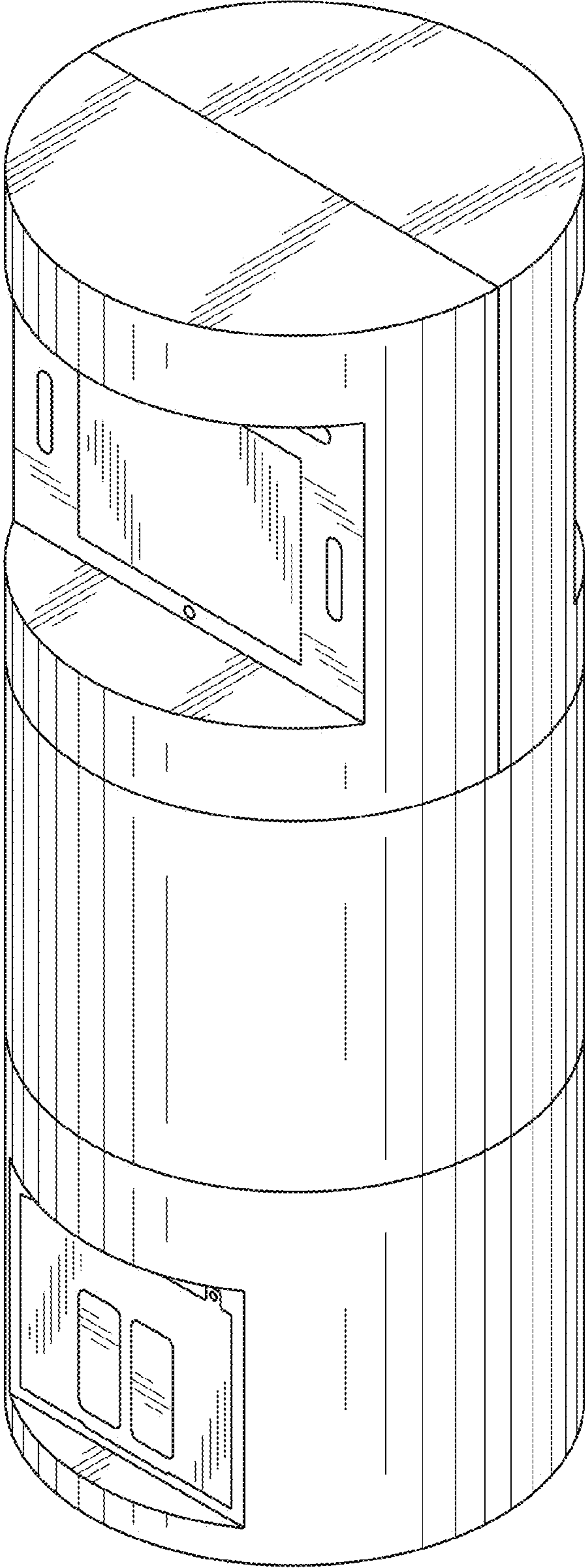


FIG. 1



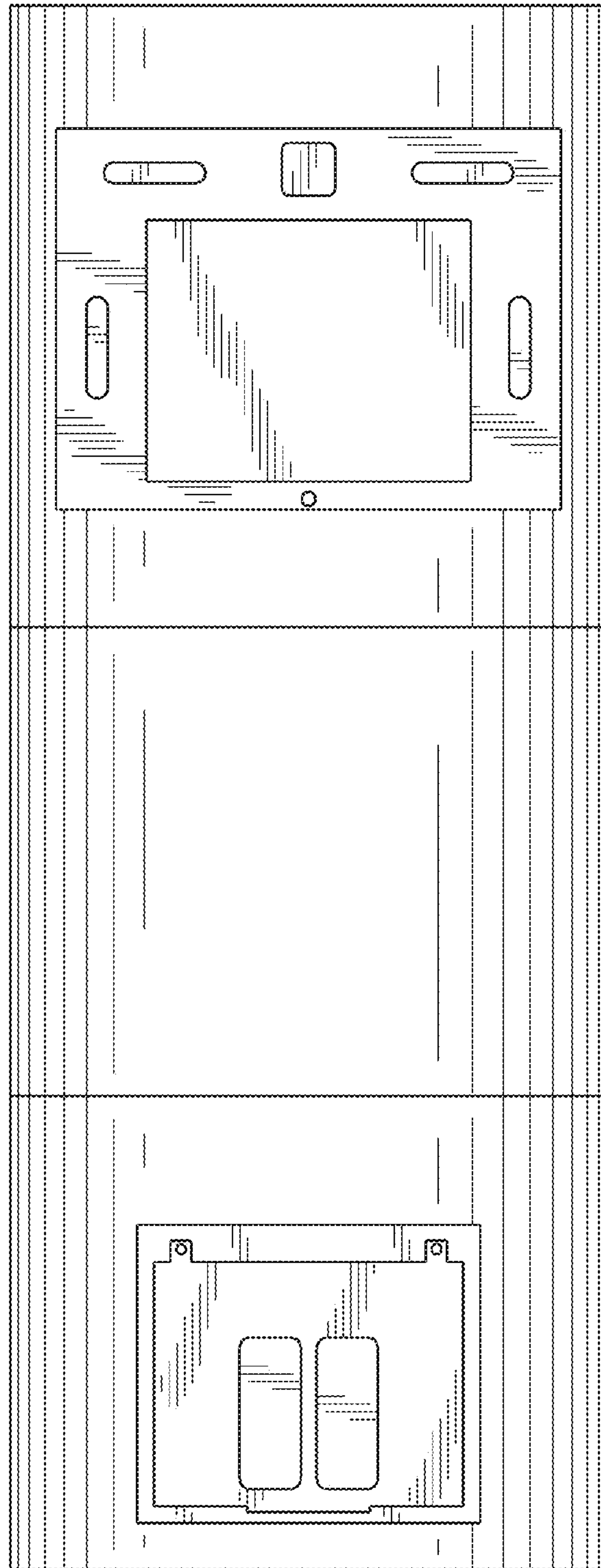


FIG. 2

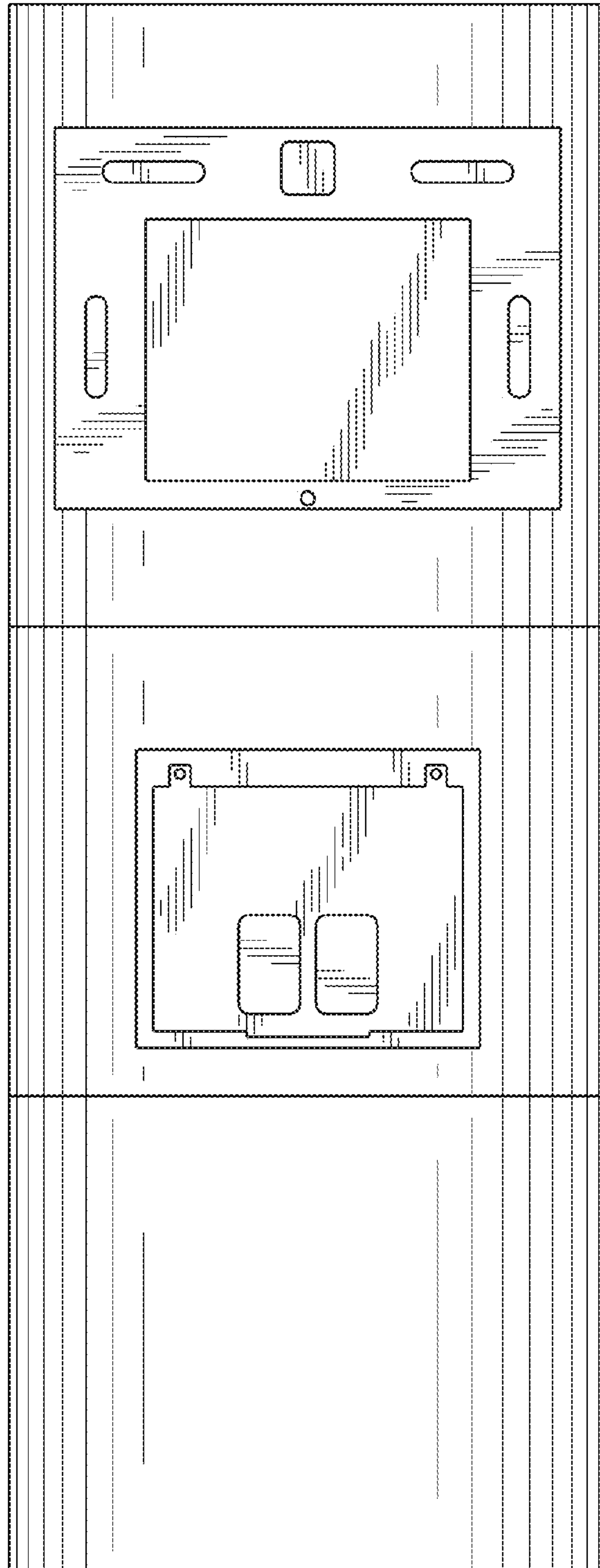


FIG. 3

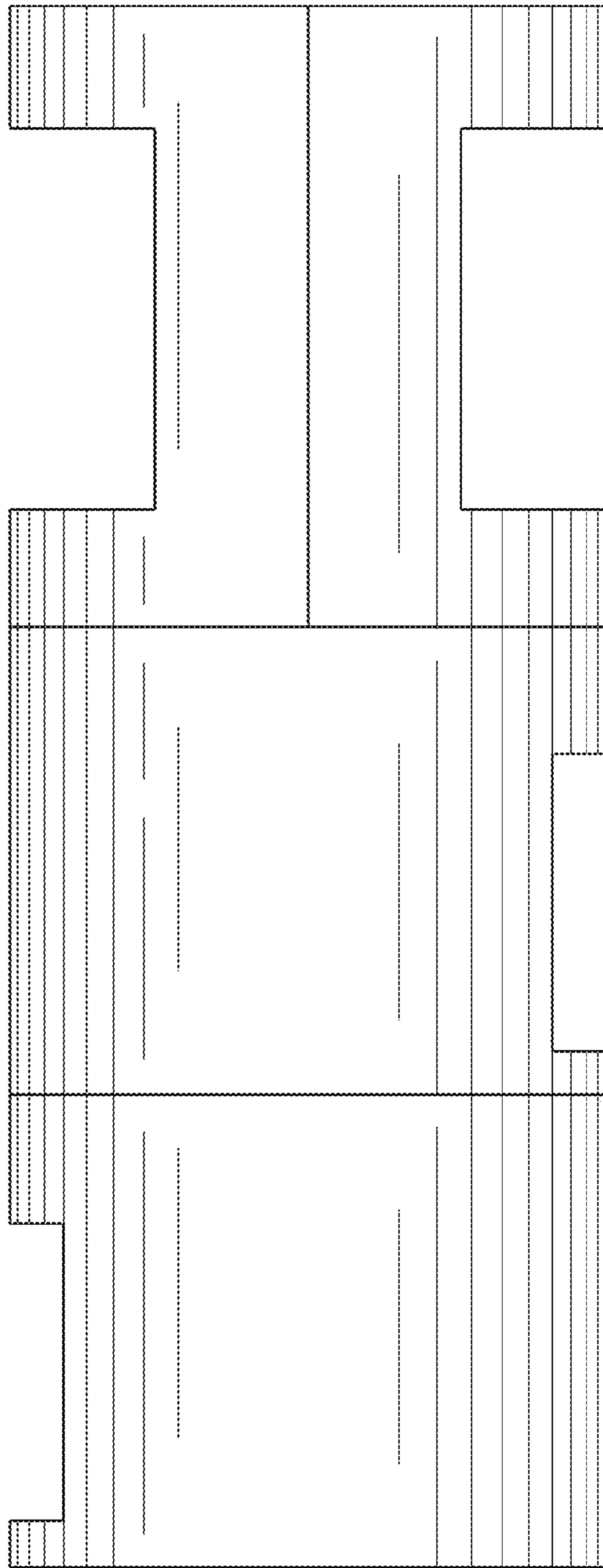


FIG. 4



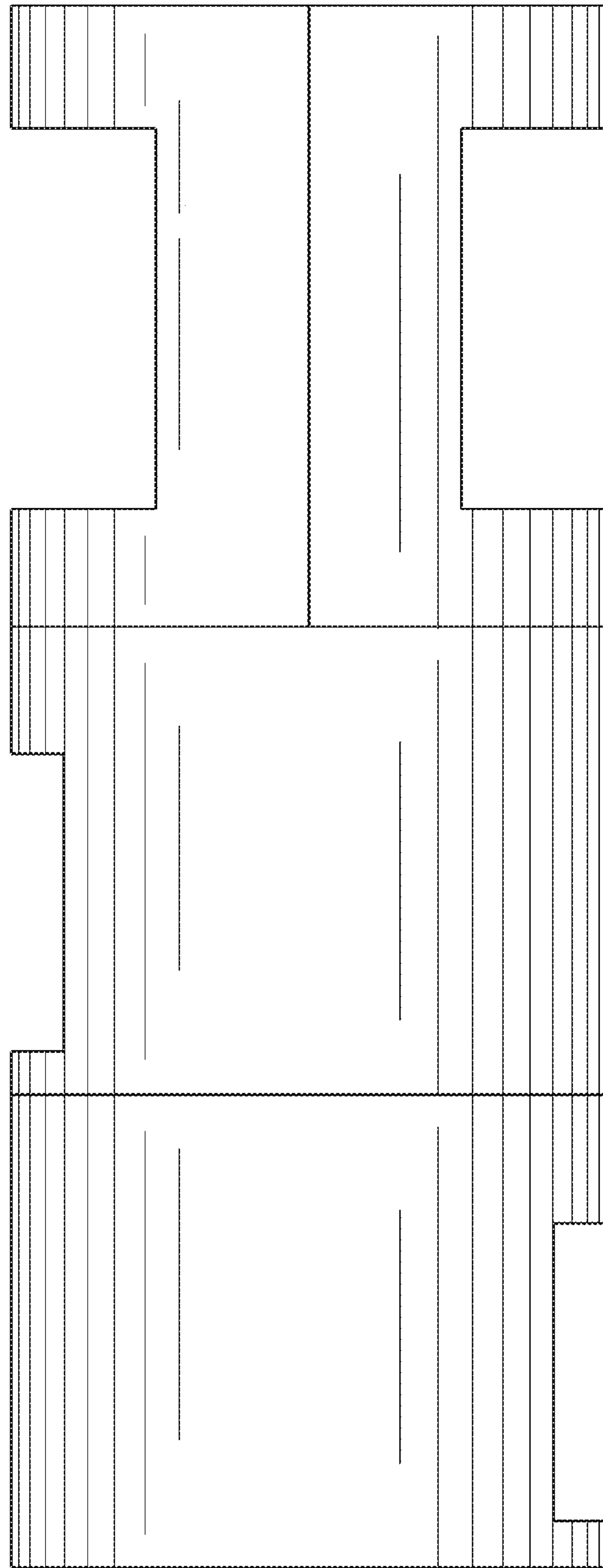


FIG. 5

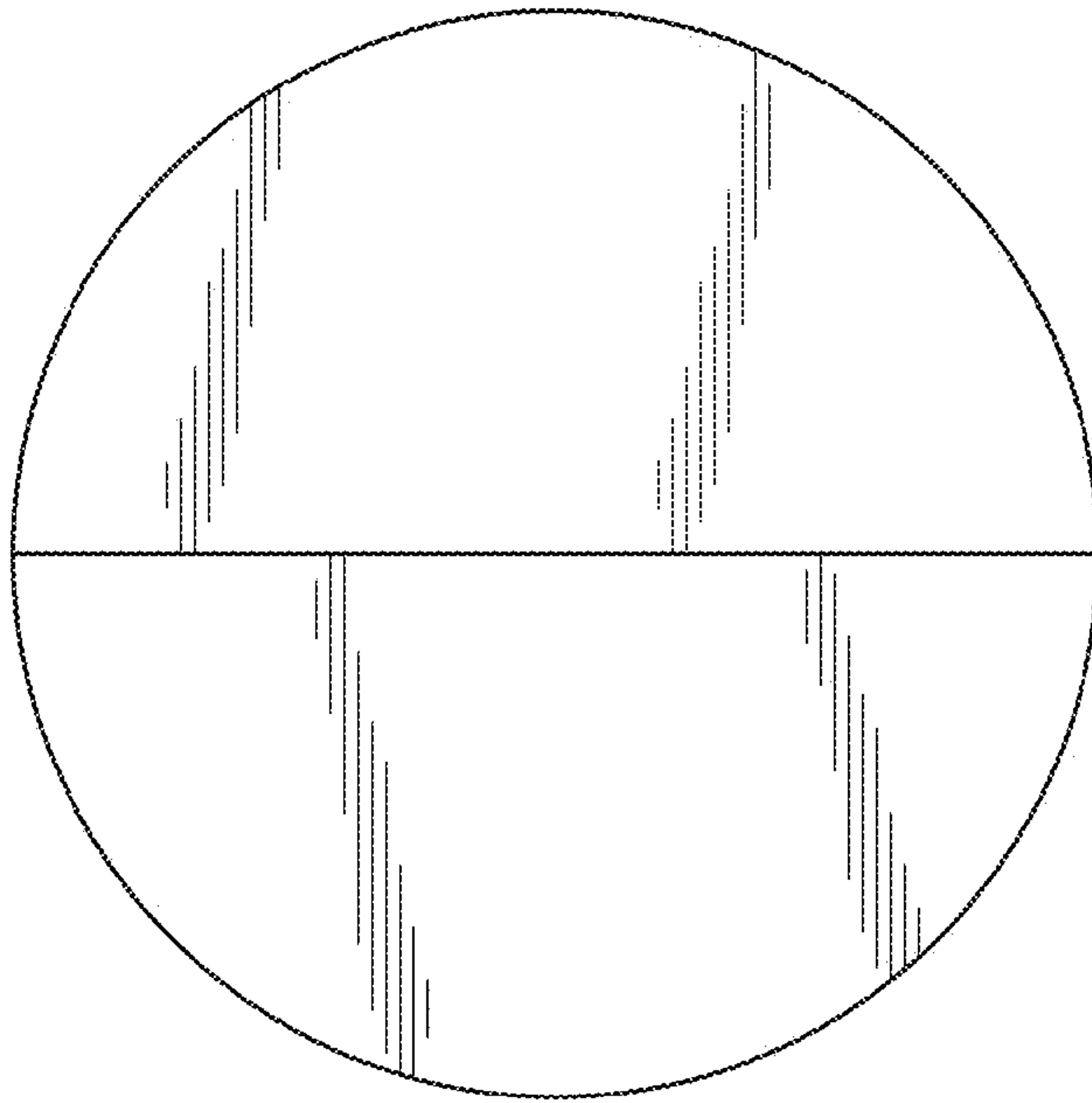


FIG. 6

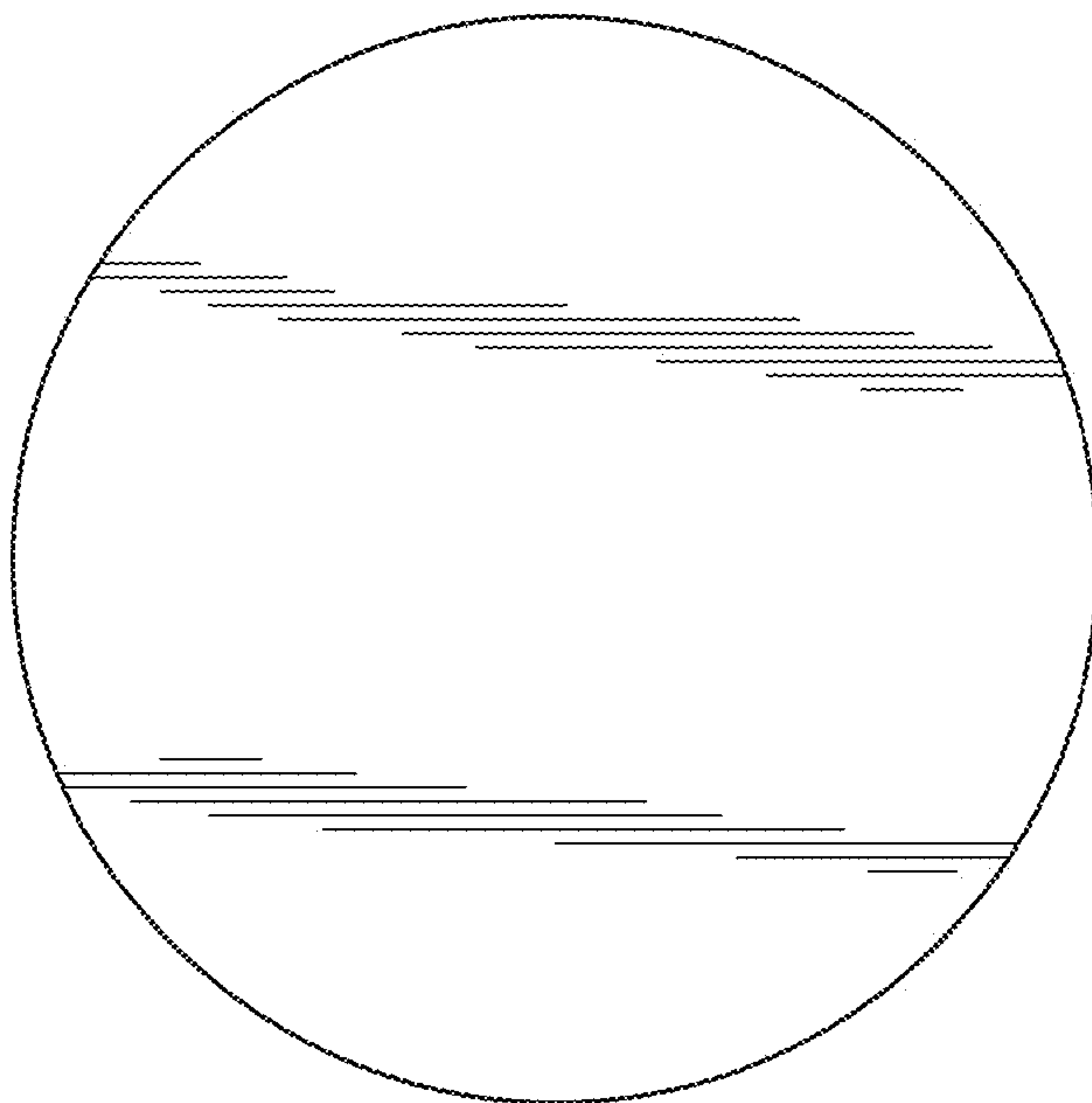


FIG. 7