



US00D731573S

(12) **United States Design Patent**  
**Lyngra et al.**

(10) **Patent No.:** **US D731,573 S**  
(45) **Date of Patent:** **\*\* Jun. 9, 2015**

(54) **CAMERA SYSTEM**

(71) Applicant: **Cisco Technology, Inc.**, San Jose, CA  
(US)

(72) Inventors: **André Lyngra**, Oslo (NO); **Knut Helge Teppan**, Asker (NO); **Bjarte Jegerstedt**, Oslo (NO); **Jan Trønsdal**, Oslo (NO); **Niklas Lars Stefan Ytterström**, Oslo (NO)

(73) Assignee: **Cisco Technology, Inc.**, San Jose, CA  
(US)

(\*\*) Term: **14 Years**

(21) Appl. No.: **29/484,824**

(22) Filed: **Mar. 13, 2014**

(51) **LOC (10) Cl.** ..... **16-01**

(52) **U.S. Cl.**

USPC ..... **D16/202**; D16/242

(58) **Field of Classification Search**

USPC ..... D16/200, 202–204, 206–208, 218, 219,  
D16/242; 248/176.1, 187.1;  
348/14.01–14.07, 143, 148, 151,  
348/373–376; 396/419, 427, 428, 535,  
396/539–541

CPC ..... G03B 17/02; G03B 19/04; G03B 17/56;  
G03B 17/04; G03B 15/03; H04N 5/2251;  
H04N 5/2252; H04N 5/2253; H04N 5/2254;  
H04N 2101/00

See application file for complete search history.

(56) **References Cited**

**U.S. PATENT DOCUMENTS**

6,753,899 B2 6/2004 Lapalme et al.  
6,880,987 B2\* 4/2005 Diana et al. .... 396/427  
D510,374 S \* 10/2005 Greenwood et al. .... D16/203  
D536,719 S \* 2/2007 Lukic et al. .... D16/202  
D571,839 S \* 6/2008 Andresen ..... D16/202

D589,995 S \* 4/2009 Kellar et al. .... D16/203  
D627,811 S \* 11/2010 Andresen et al. .... D16/202  
D636,421 S \* 4/2011 Sagen et al. .... D16/202  
D647,937 S \* 11/2011 Raken et al. .... D16/203  
D656,531 S \* 3/2012 Ahn et al. .... D16/202  
D709,542 S \* 7/2014 Bailey ..... D16/202  
D710,423 S \* 8/2014 Teppan et al. .... D16/202  
D717,853 S \* 11/2014 Noreng et al. .... D16/203  
2004/0041904 A1 3/2004 Lapalme et al.  
2010/0100240 A1 4/2010 Wang et al.  
2013/0063544 A1\* 3/2013 Kanniappan et al. .... 348/14.07

**OTHER PUBLICATIONS**

Polycom, “Setting up the Polycom® EagleEye Director Camera”, Product information, retrieved from [http://passthrough.fw-notify.net/download/532410/http://support.polycom.com/global/documents/support/setup\\_maintenance/products/video/EagleEyeDirector\\_Setup.pdf](http://passthrough.fw-notify.net/download/532410/http://support.polycom.com/global/documents/support/setup_maintenance/products/video/EagleEyeDirector_Setup.pdf), 2011, 3 Pages.

\* cited by examiner

*Primary Examiner* — Adir Aronovich

*Assistant Examiner* — Ramzi Almatrahi

(74) *Attorney, Agent, or Firm* — Edell, Shapiro & Finnan, LLC

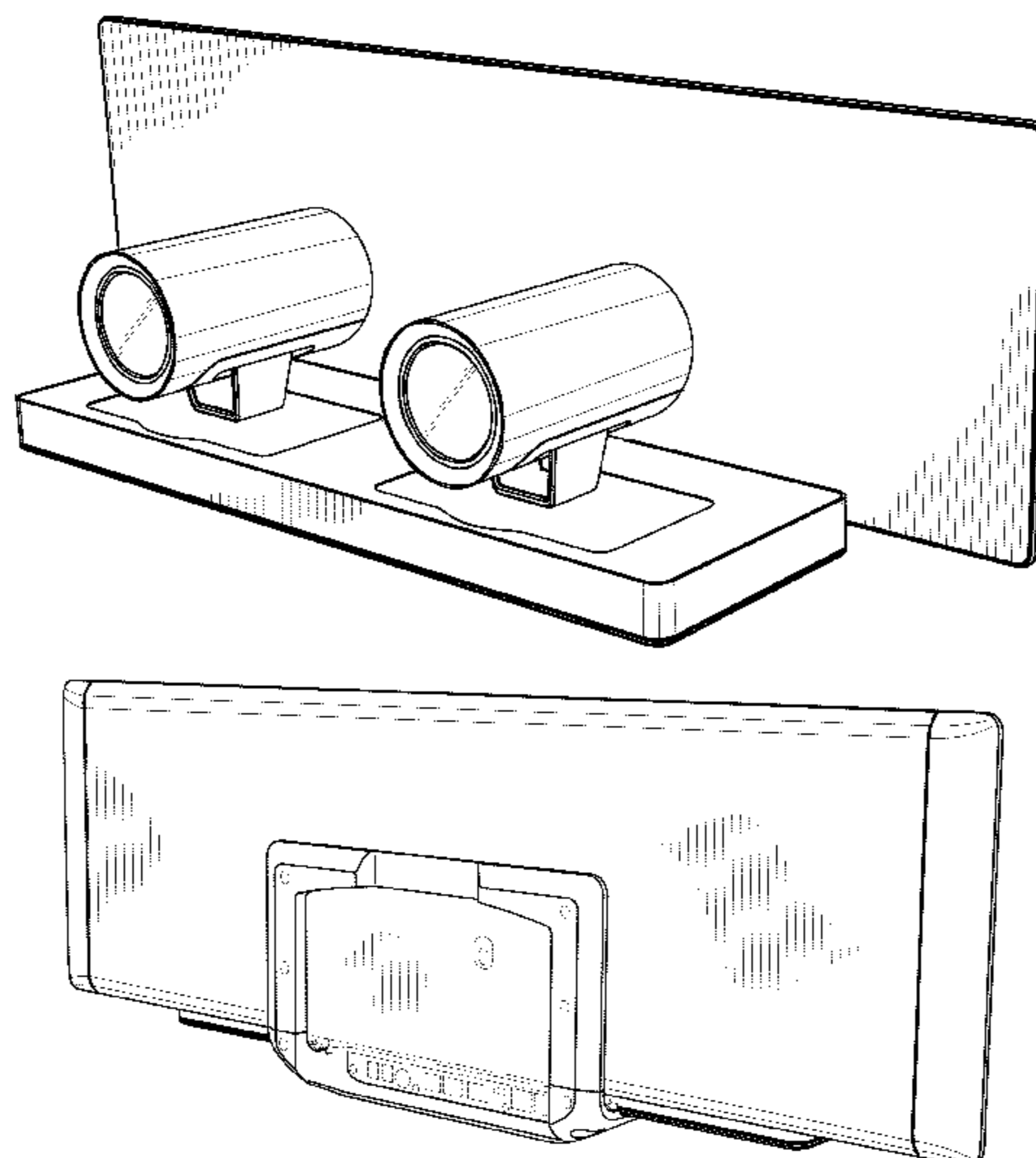
(57) **CLAIM**

The ornamental design for a camera system, as shown and described.

**DESCRIPTION**

FIG. 1 is a front perspective view of a camera system; FIG. 2 is a rear perspective view of the camera system; FIG. 3 is a front elevation view of the camera system; FIG. 4 is a rear elevation view of the camera system. FIG. 5 is a top plan view of the camera system; FIG. 6 is a bottom plan view of the camera system; FIG. 7 is a right side elevation view of the camera system; and, FIG. 8 is a left side elevation view of the camera system. Any portions shown using dashed lines are for illustrative purposes only and form no part of the claimed design.

**1 Claim, 5 Drawing Sheets**



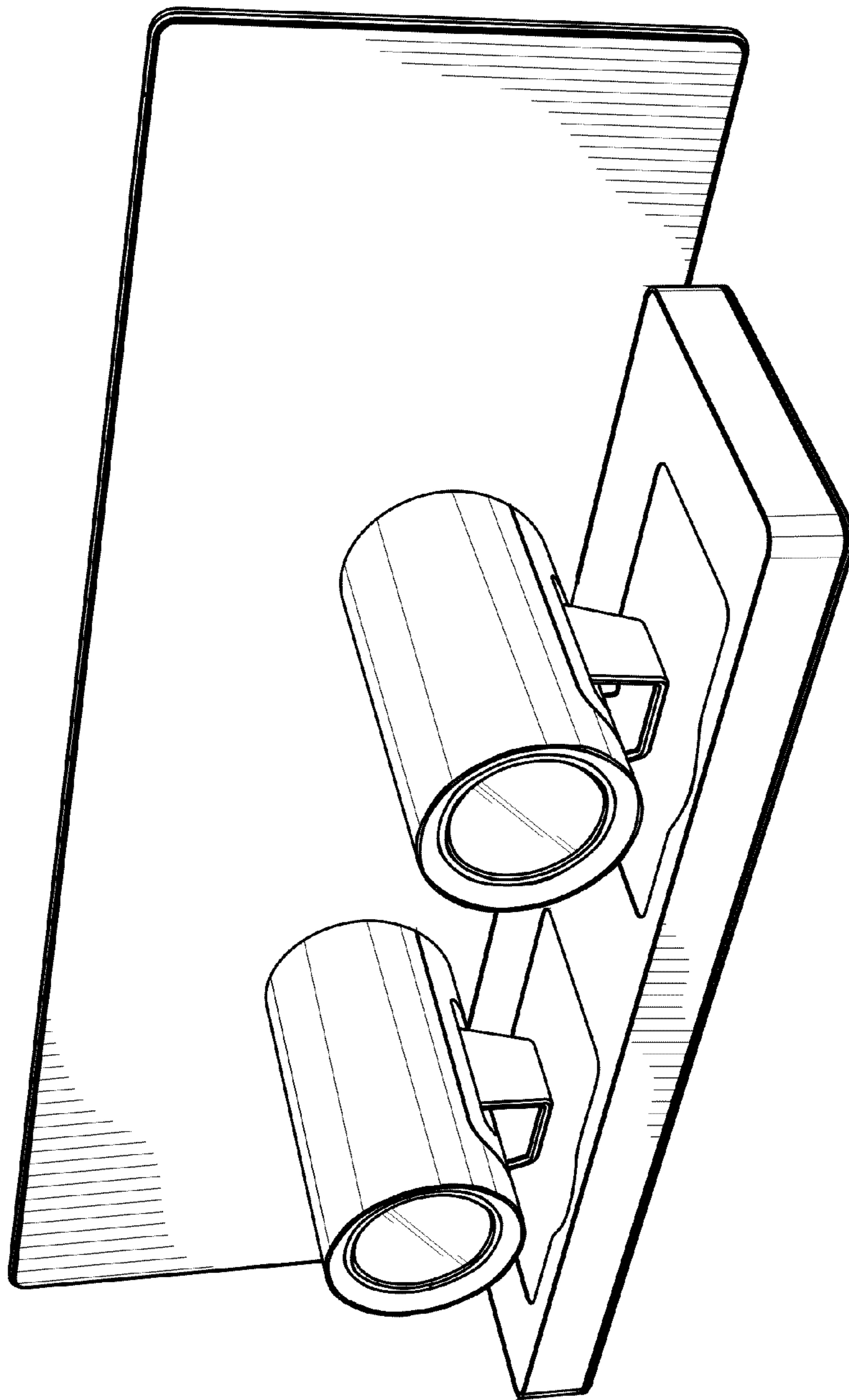


FIG.1

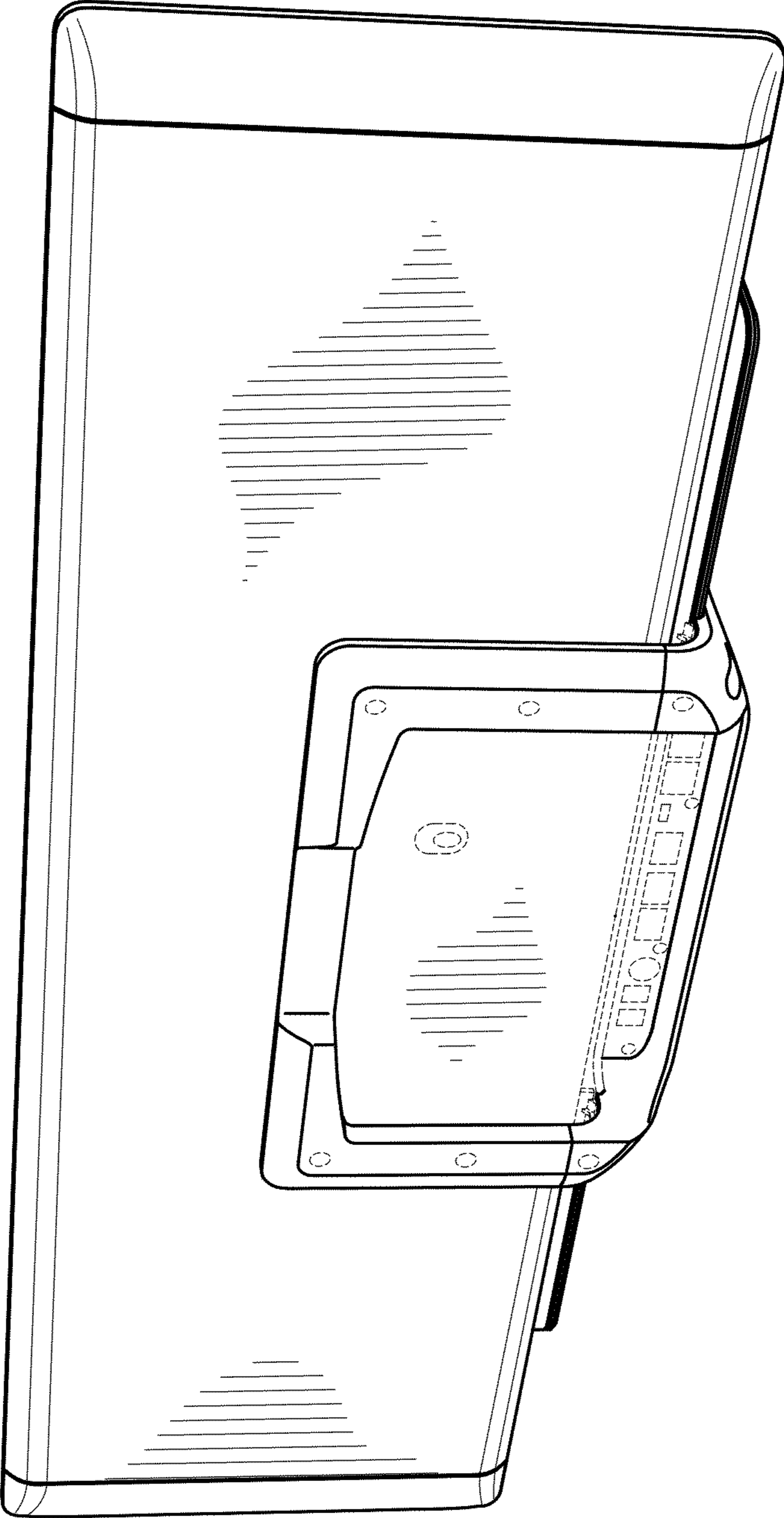
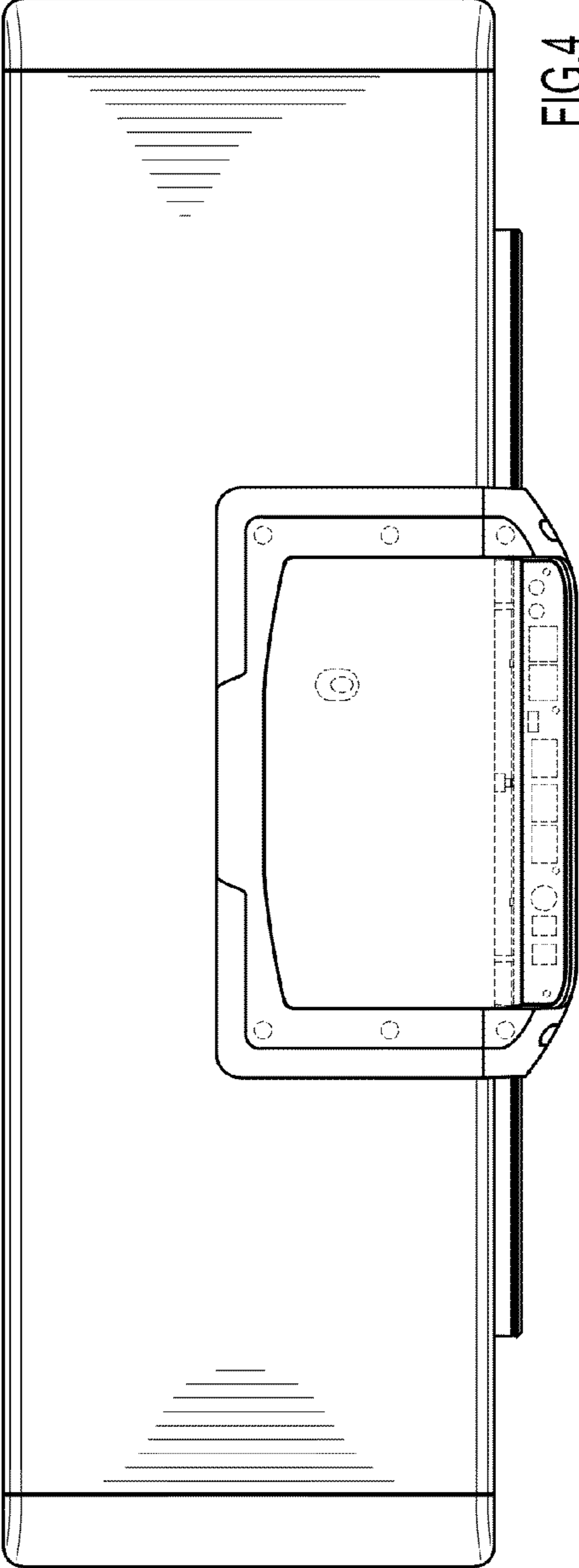
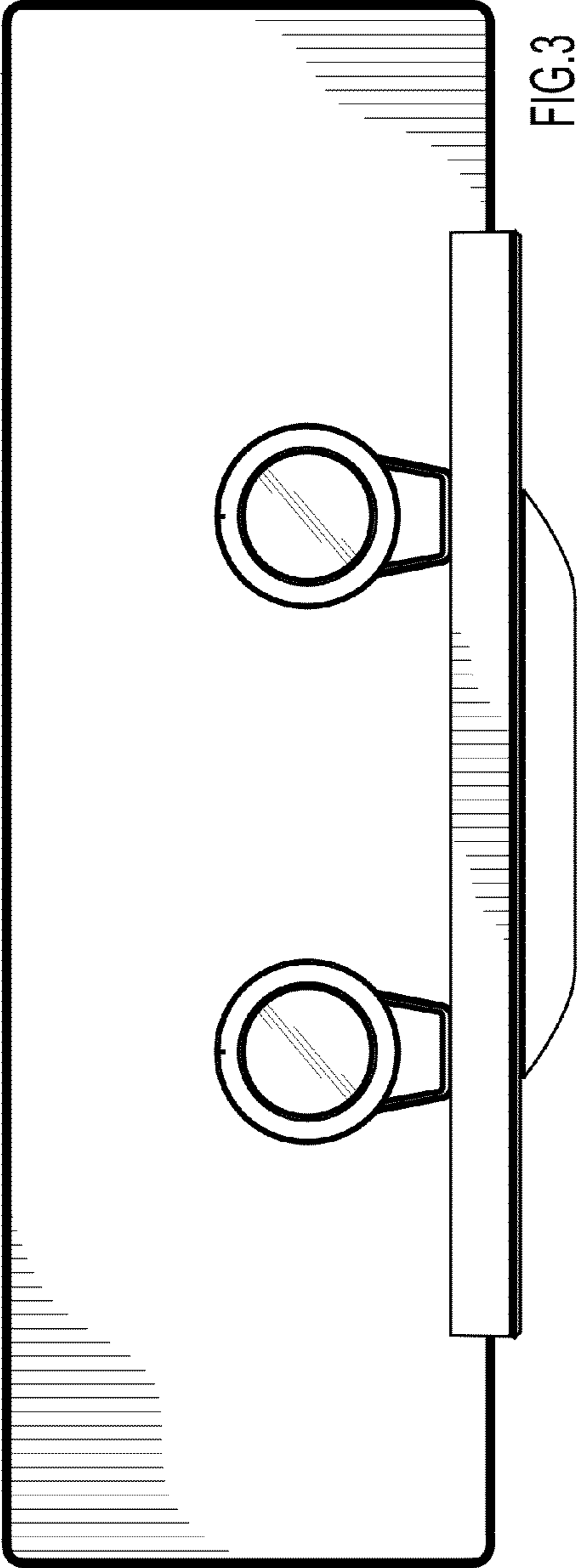
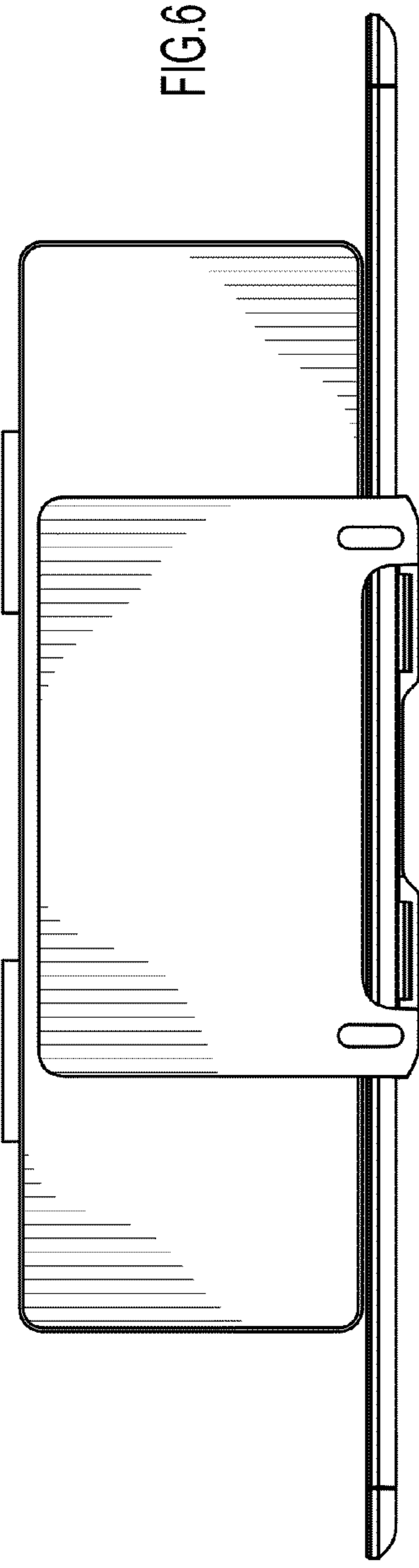
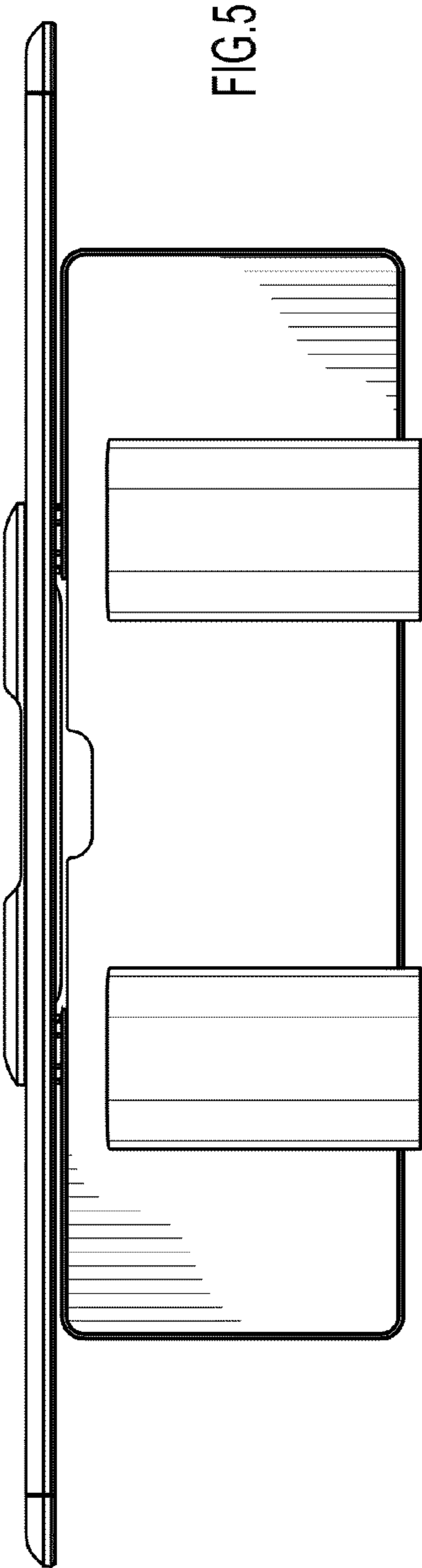


FIG.2





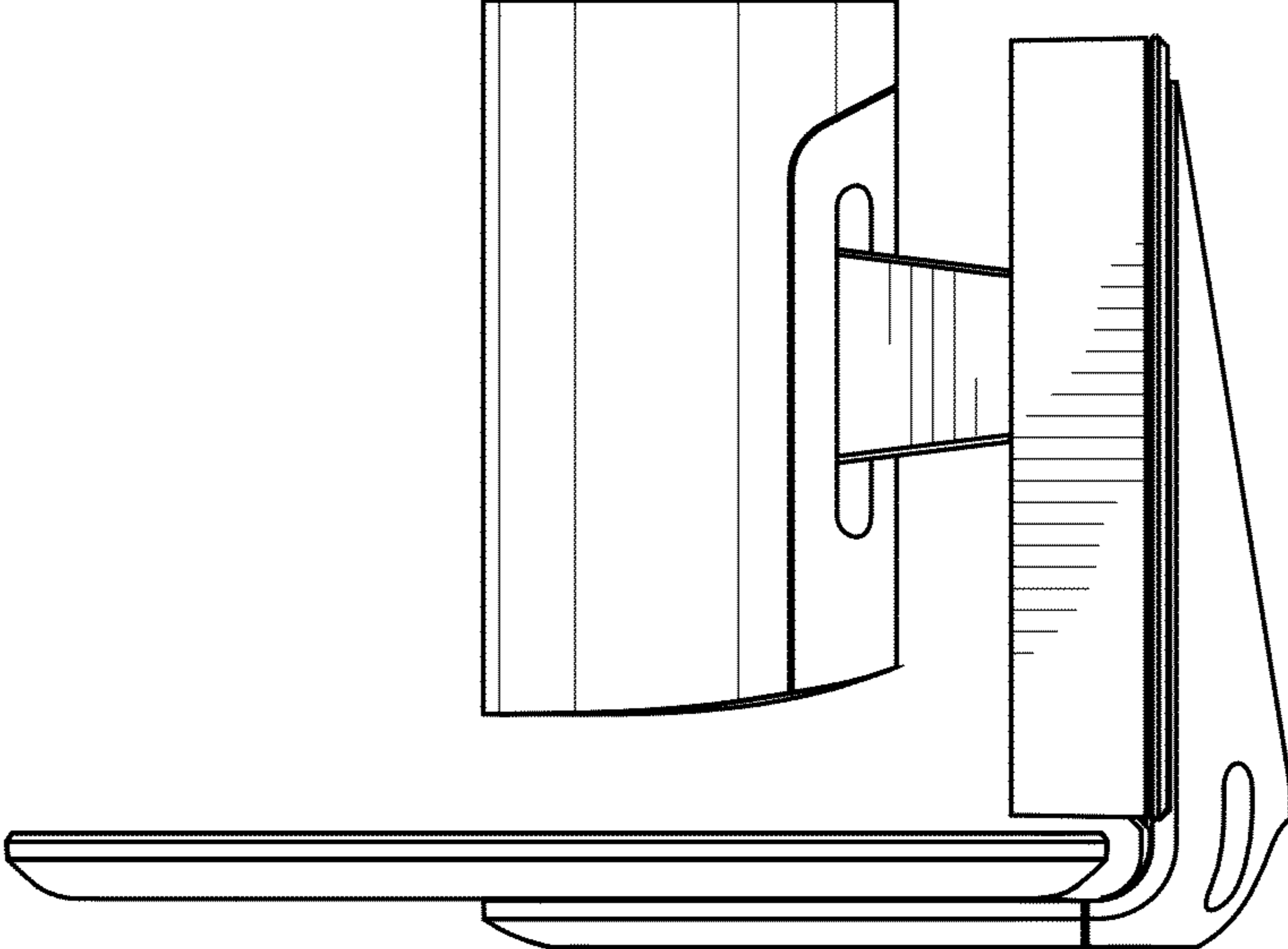


FIG.8

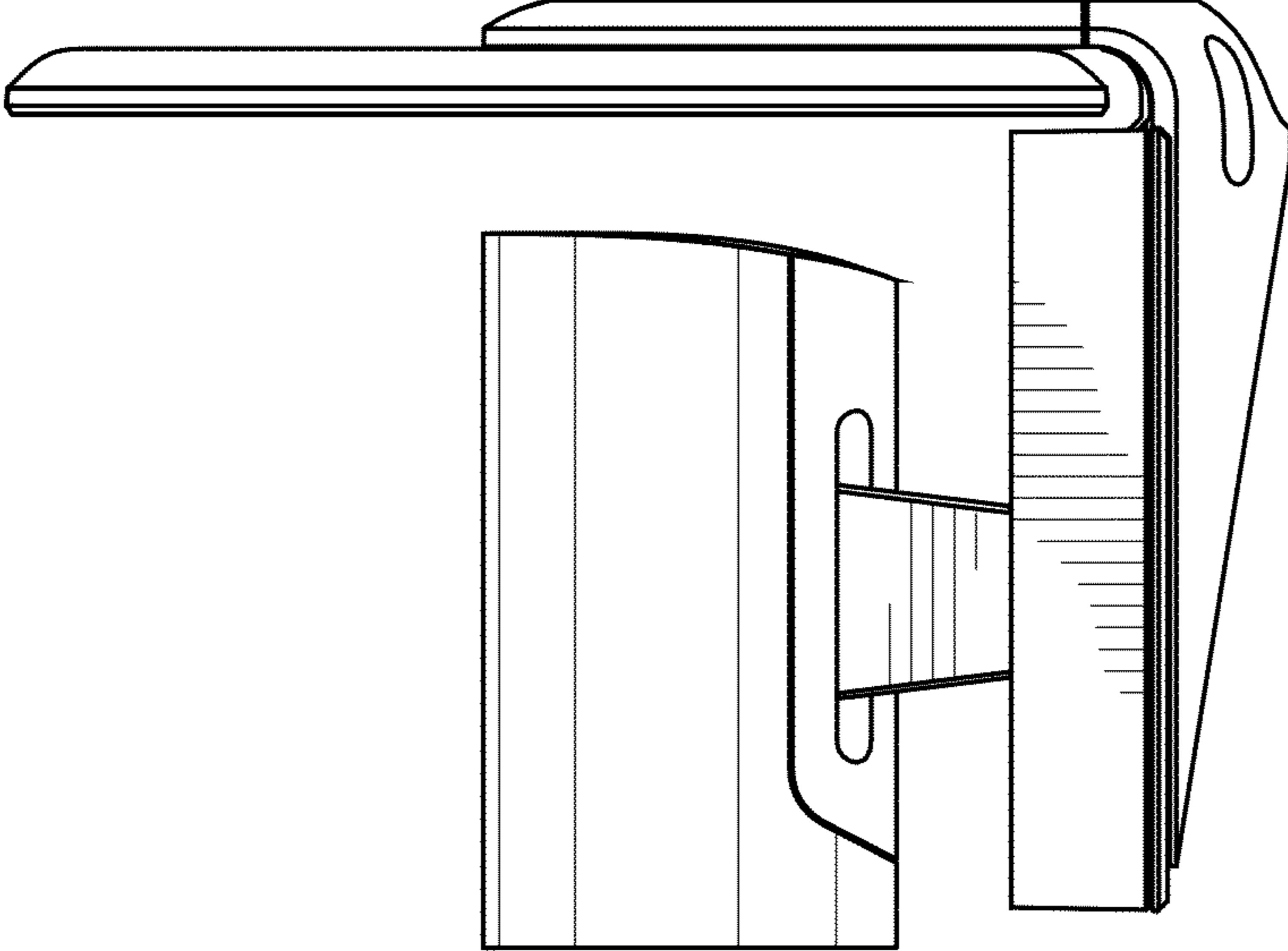


FIG.7