



US00D731572S

(12) **United States Design Patent**  
**Nohara et al.**

(10) **Patent No.:** **US D731,572 S**  
(45) **Date of Patent:** **\*\* Jun. 9, 2015**

- (54) **DIGITAL CAMERA**
- (71) Applicant: **OLYMPUS IMAGING CORP.**, Tokyo (JP)
- (72) Inventors: **Takeshi Nohara**, Hachioji (JP); **Koji Sakai**, Hachioji (JP)
- (73) Assignee: **OLYMPUS IMAGING CORP.**, Tokyo (JP)
- (\*\*) Term: **14 Years**
- (21) Appl. No.: **29/449,686**
- (22) Filed: **Mar. 15, 2013**
- (30) **Foreign Application Priority Data**

- Dec. 25, 2012 (JP) ..... 2012-031409
- (51) **LOC (10) Cl.** ..... **16-01**
- (52) **U.S. Cl.**  
USPC ..... **D16/202**
- (58) **Field of Classification Search**  
USPC ..... D16/200–204, 208, 218; 348/373–376;  
358/909.1; 396/535–541  
CPC ..... H04N 2101/00  
See application file for complete search history.

- (56) **References Cited**  
**U.S. PATENT DOCUMENTS**  
D566,153 S \* 4/2008 Katsuraku ..... D16/218  
D570,890 S \* 6/2008 Yoneya et al. .... D16/202  
D629,824 S \* 12/2010 Takahashi ..... D16/202

- D631,496 S \* 1/2011 Tainaka ..... D16/202
- D635,604 S \* 4/2011 Sul et al. .... D16/202
- D646,314 S \* 10/2011 Nohara ..... D16/202
- D647,552 S \* 10/2011 Ogasawara et al. .... D16/202
- D650,409 S \* 12/2011 Lee ..... D16/202
- D669,109 S \* 10/2012 Jang ..... D16/202
- D669,518 S \* 10/2012 Nakamura ..... D16/202
- D671,581 S \* 11/2012 Ham ..... D16/202

**OTHER PUBLICATIONS**

U.S. Appl. No. 29/449,885; First Named Inventor: Takeshi Nohara; Title: "Digital Camera"; filed Mar. 15, 2013.

\* cited by examiner

*Primary Examiner* — Randall Gholson  
(74) *Attorney, Agent, or Firm* — Holtz, Holtz, Goodman & Chick PC

(57) **CLAIM**  
The ornamental design for a digital camera, as shown and described.

**DESCRIPTION**

FIG. 1 is a front, top and right side perspective view of a digital camera showing my new design;  
FIG. 2 is a front elevational view thereof;  
FIG. 3 is a rear elevational view thereof;  
FIG. 4 is a top plan view thereof;  
FIG. 5 is a bottom plan view thereof;  
FIG. 6 is a right side elevational view thereof; and,  
FIG. 7 is a left side elevational view thereof.

**1 Claim, 5 Drawing Sheets**

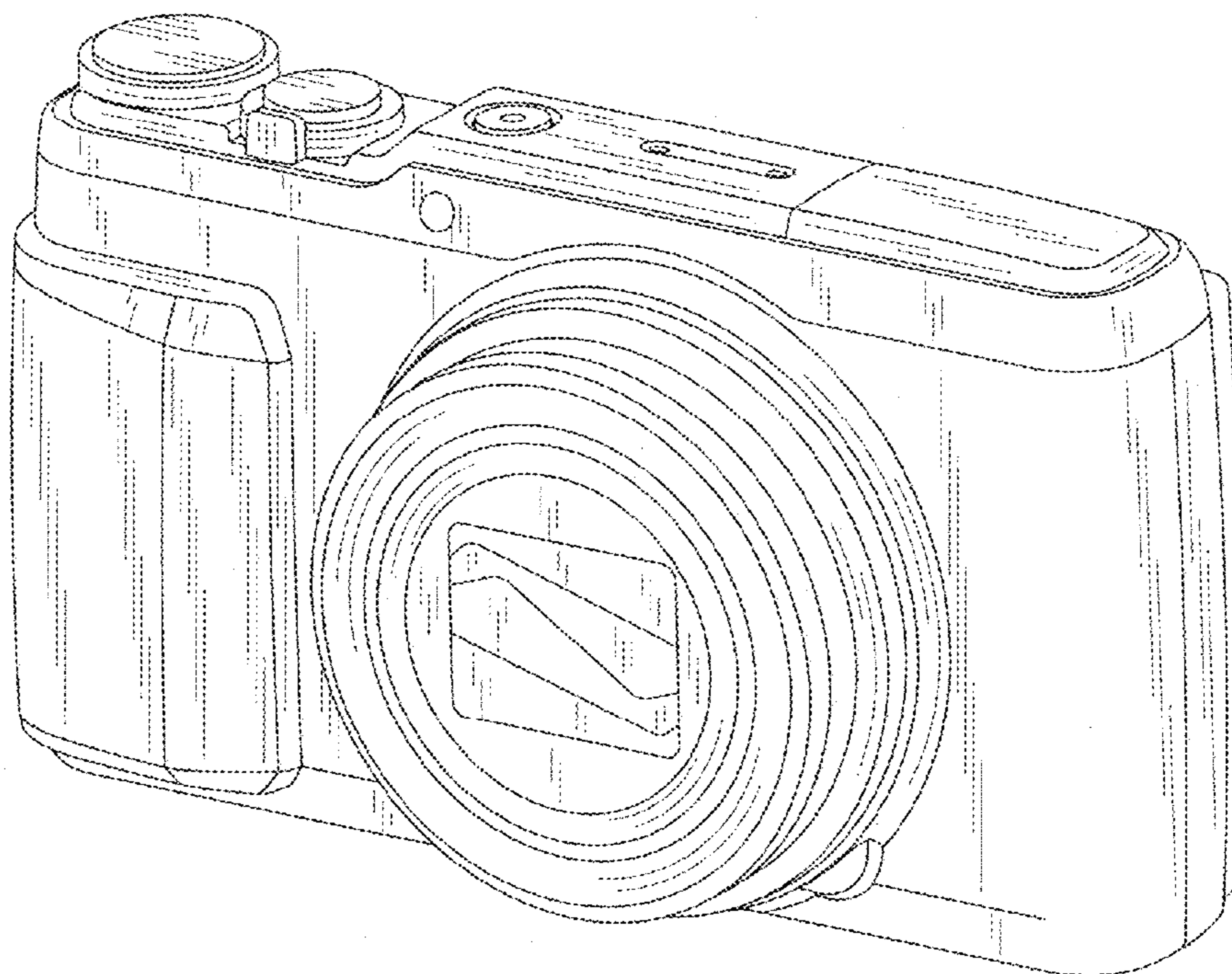


FIG. 1

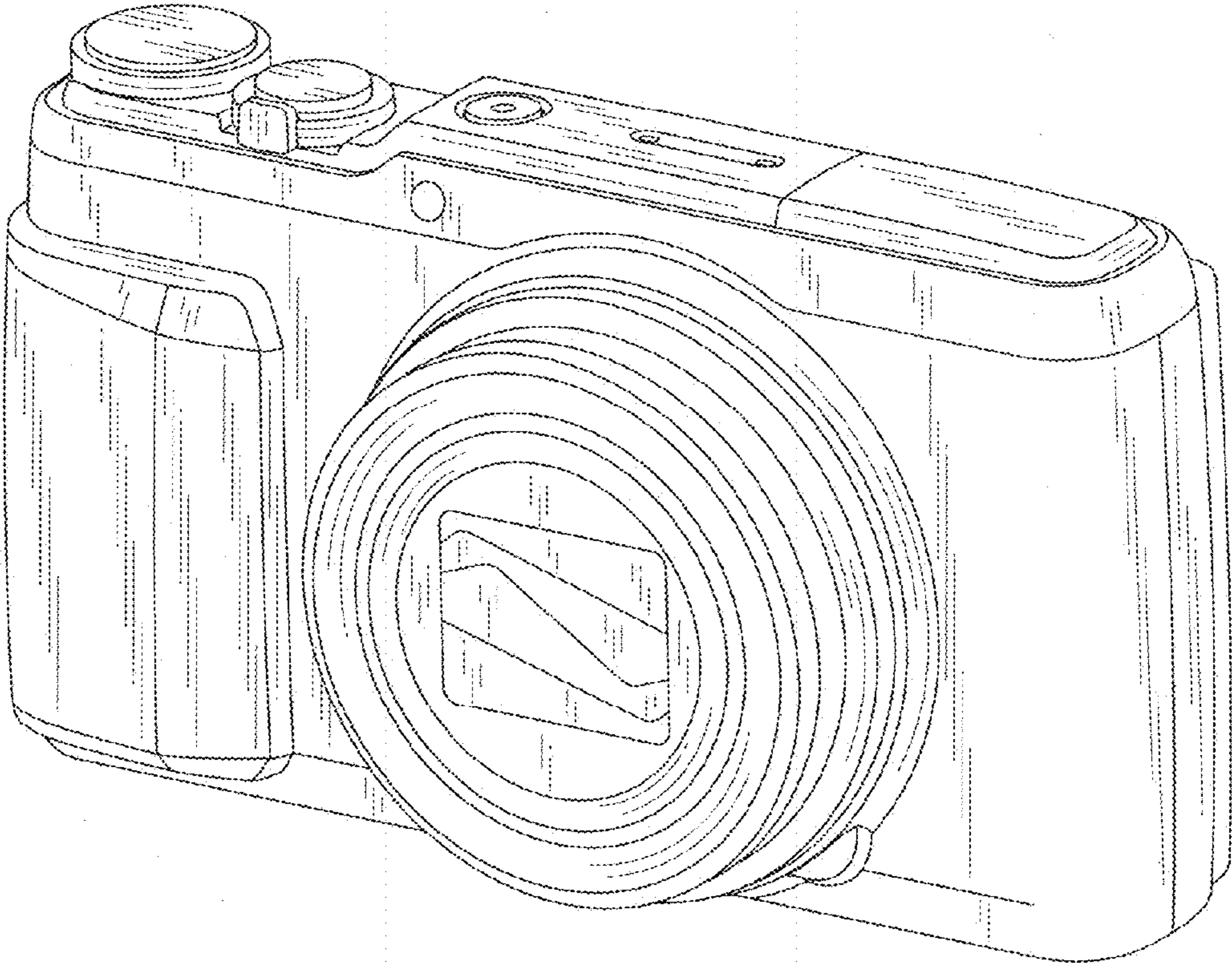


FIG.2

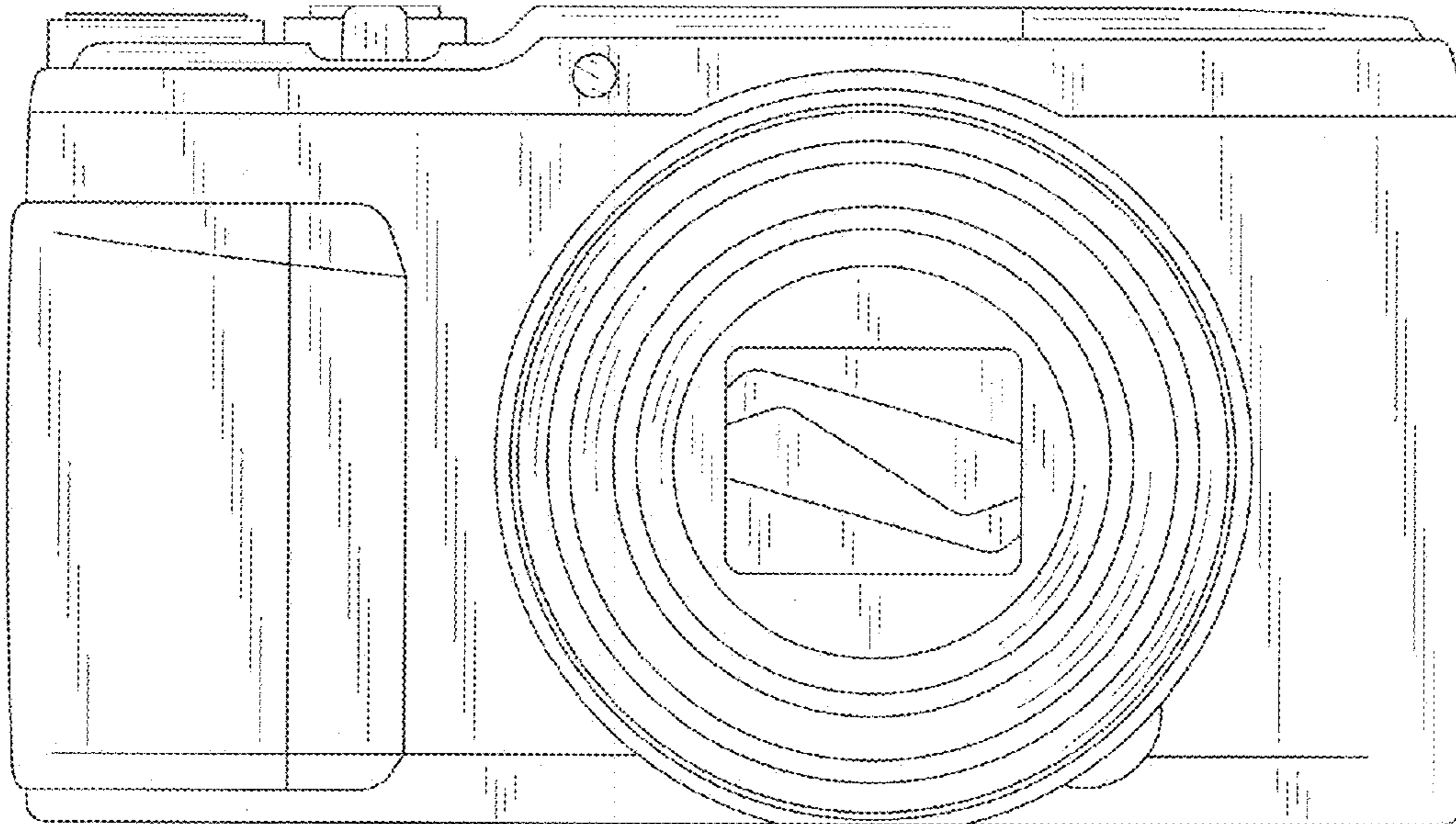
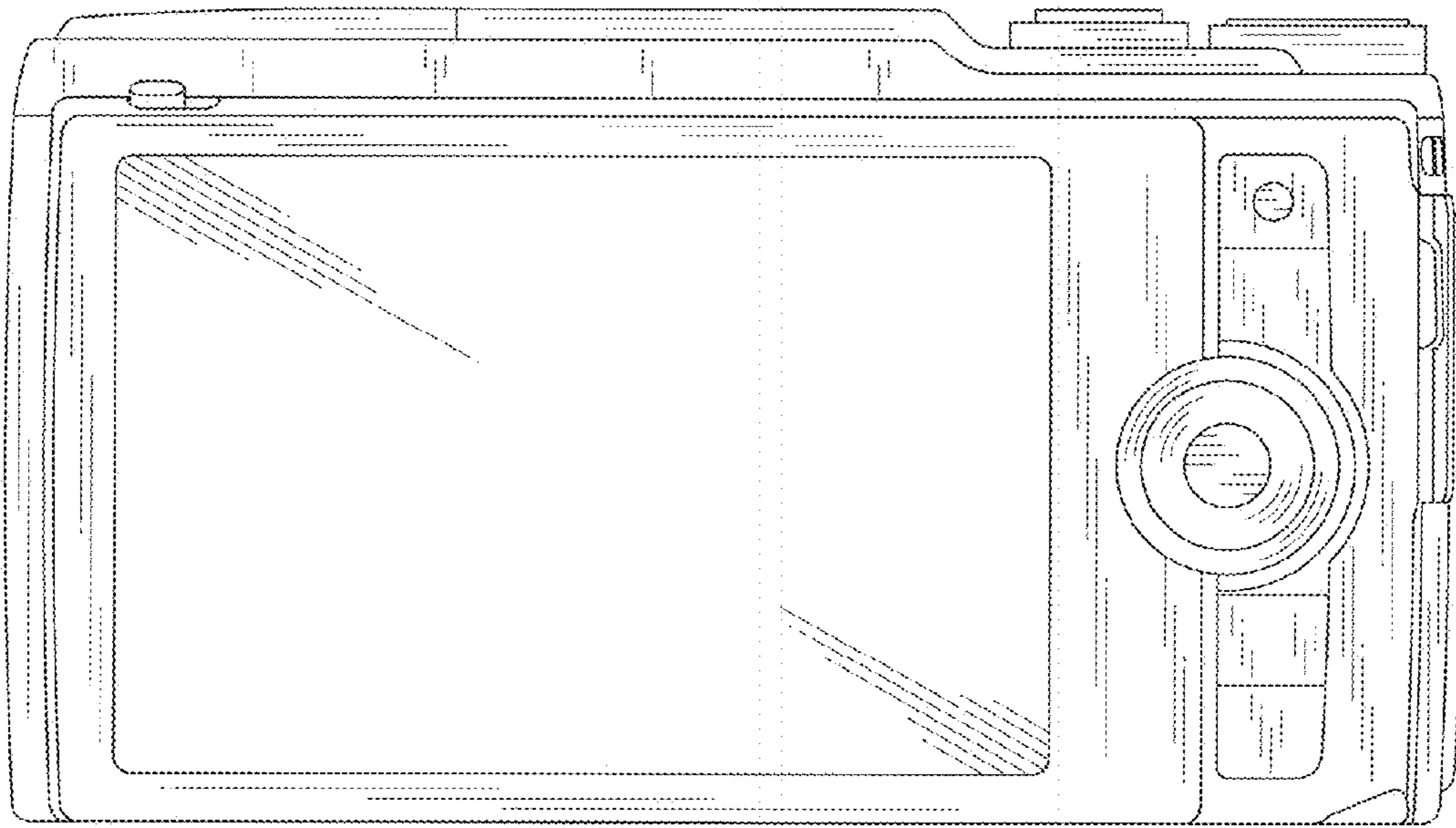
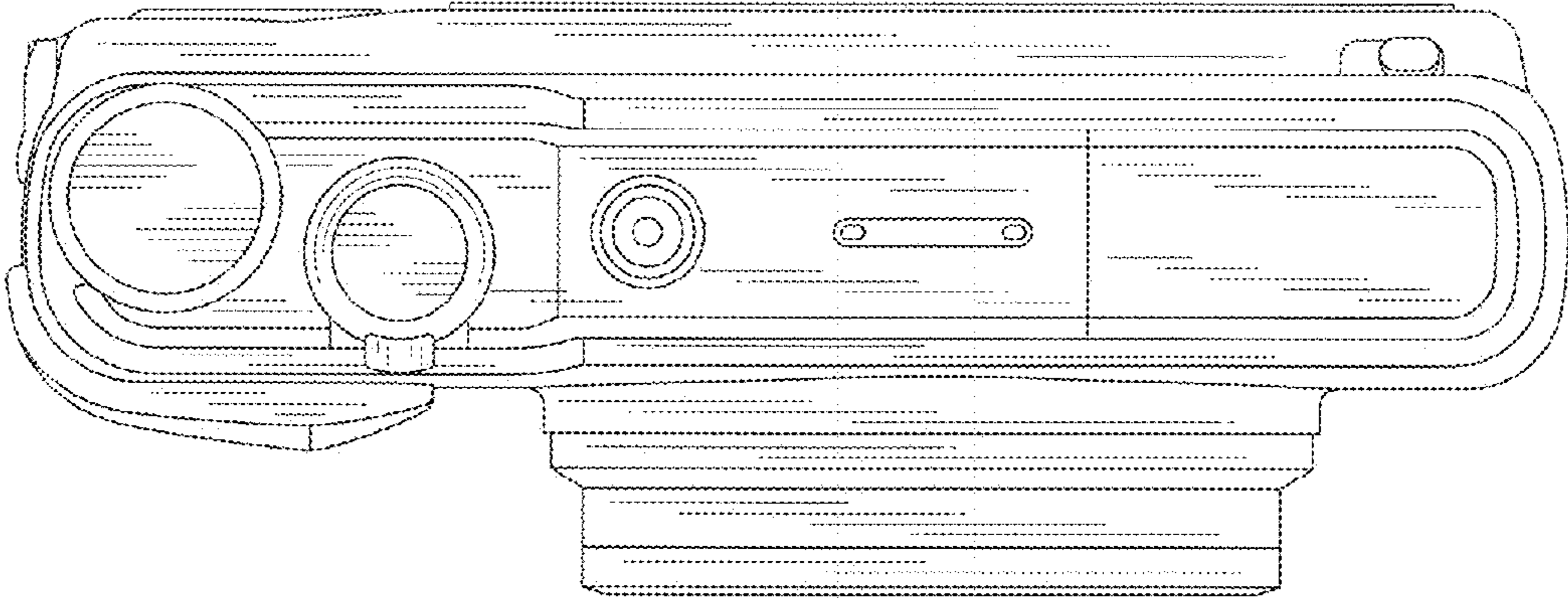




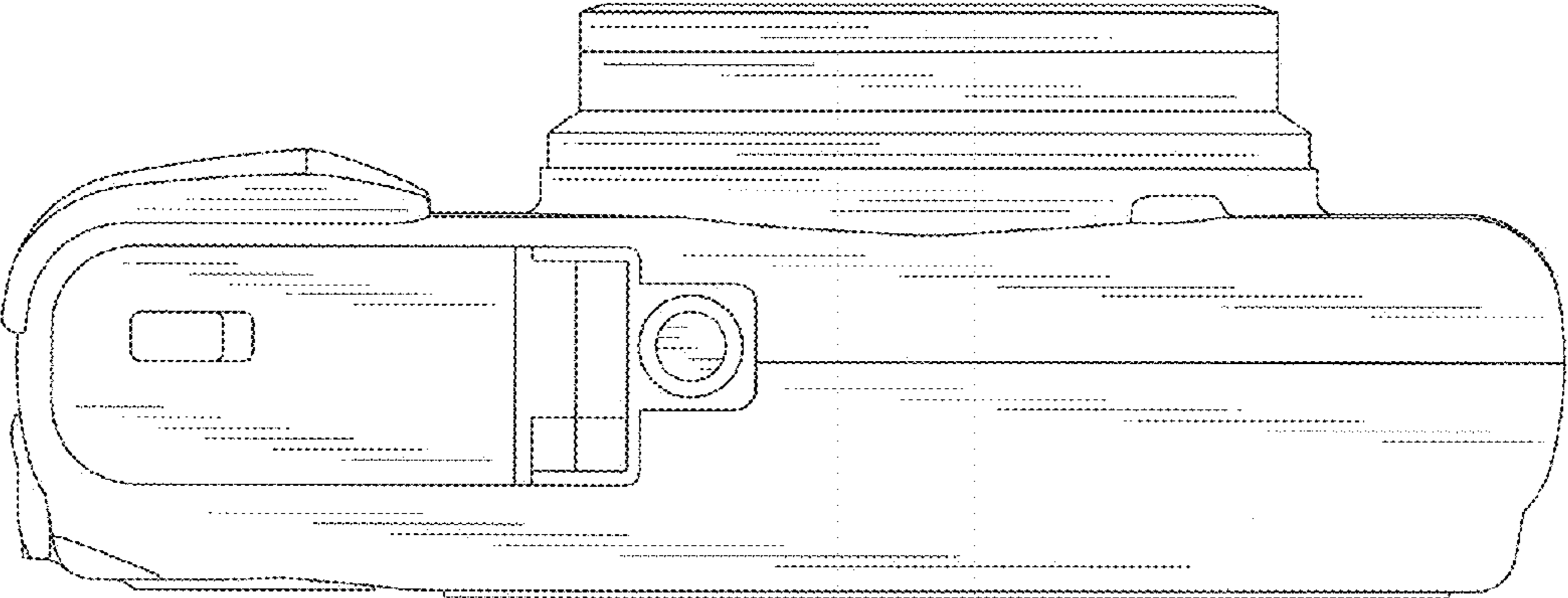
FIG.3



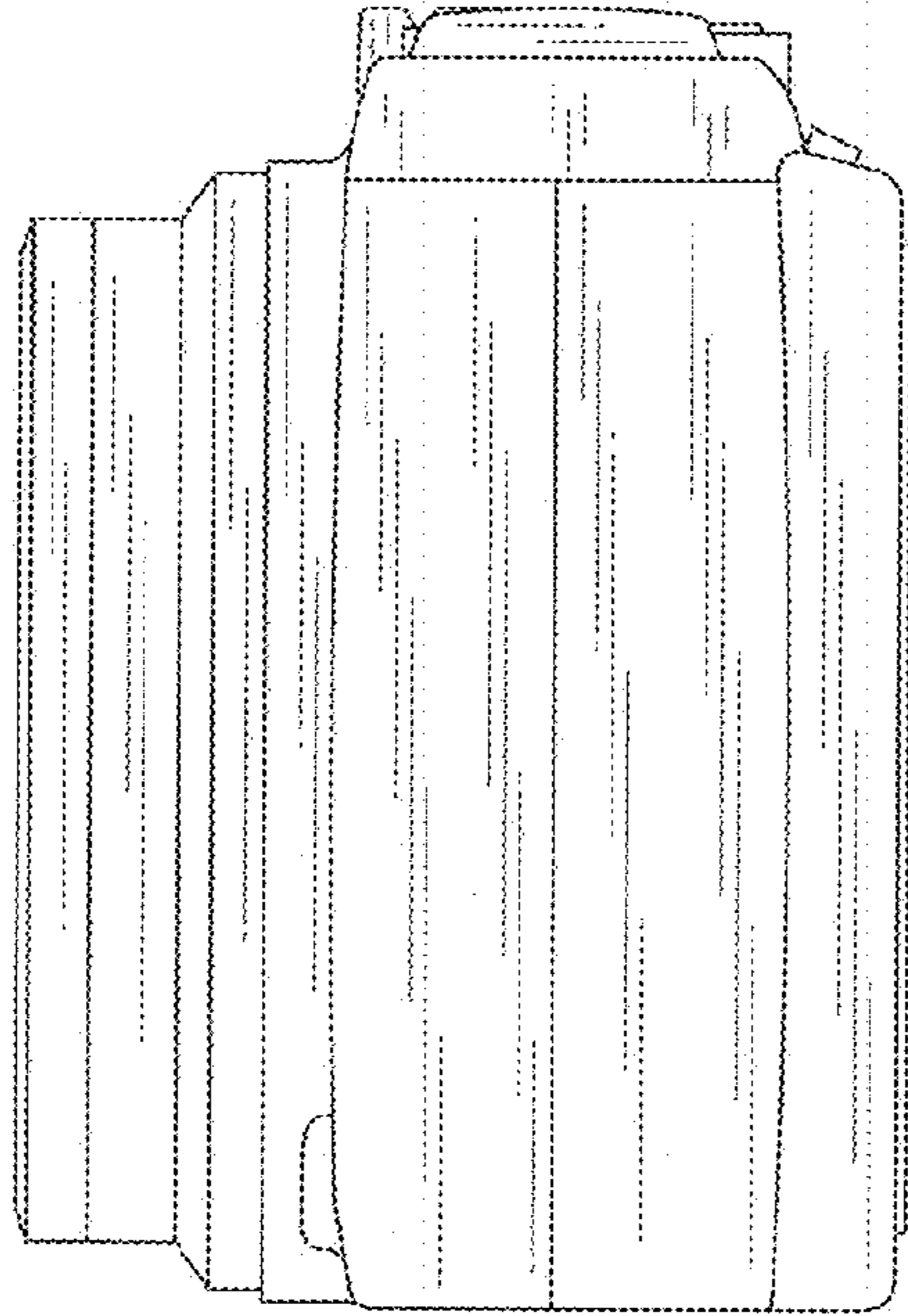
**FIG.4**



**FIG.5**



**FIG.6**



**FIG.7**

