



US00D731570S

(12) **United States Design Patent**
Ominami et al.

(10) **Patent No.:** **US D731,570 S**
(45) **Date of Patent:** **** Jun. 9, 2015**

(54) **THIN MEMBRANE HOLDER FOR AN ELECTRON MICROSCOPE**

(71) Applicant: **Hitachi High-Technologies Corporation, Tokyo (JP)**

(72) Inventors: **Yasuke Ominami, Tokyo (JP); Shinsuke Kawanishi, Tokyo (JP); Hiroyuki Suzuki, Tokyo (JP); Masahiko Ajima, Tokyo (JP)**

(73) Assignee: **HITACHI HIGH-TECHNOLOGIES CORPORATION, Tokyo (JP)**

(**) Term: **14 Years**

(21) Appl. No.: **29/484,248**

(22) Filed: **Mar. 7, 2014**

(30) **Foreign Application Priority Data**

Sep. 9, 2013 (JP) 2013-020823

(51) **LOC (10) Cl.** **16-06**

(52) **U.S. Cl.**
USPC **D16/131**

(58) **Field of Classification Search**
USPC D13/131; 359/369-378, 381, 382, 383, 359/384, 385, 391-398, 503-506, 507, 359/892; 356/244-246
See application file for complete search history.

(56) **References Cited**

U.S. PATENT DOCUMENTS

D215,889 S * 11/1969 Suzuki D16/131
D288,495 S * 2/1987 Young et al. D34/10

5,552,321 A * 9/1996 Focht 435/286.1
D459,463 S * 6/2002 Chura et al. D23/411
2002/0154419 A1 * 10/2002 Shoji et al. 359/819
2003/0146360 A1 * 8/2003 Steinmetz et al. 248/346.01
2005/0002093 A1 * 1/2005 Bonaventura 359/391
2011/0226923 A1 * 9/2011 Lin et al. 248/363
2013/0002848 A1 * 1/2013 Zijlstra et al. 348/80
2013/0206954 A1 * 8/2013 Wells et al. 248/523

* cited by examiner

Primary Examiner — Derrick Holland

Assistant Examiner — Lauren Calve

(74) *Attorney, Agent, or Firm* — Baker Botts L.L.P.

(57) **CLAIM**

We claim the ornamental design for a thin membrane holder for an electron microscope, as shown and described.

DESCRIPTION

FIG. 1 is a front, top and right side perspective view of a thin membrane holder for an electron microscope showing our new design;

FIG. 2 is a rear, bottom and right side perspective view thereof;

FIG. 3 is a front elevational view thereof;

FIG. 4 is a rear elevational view thereof;

FIG. 5 is a top plan view thereof;

FIG. 6 is a bottom plan view thereof;

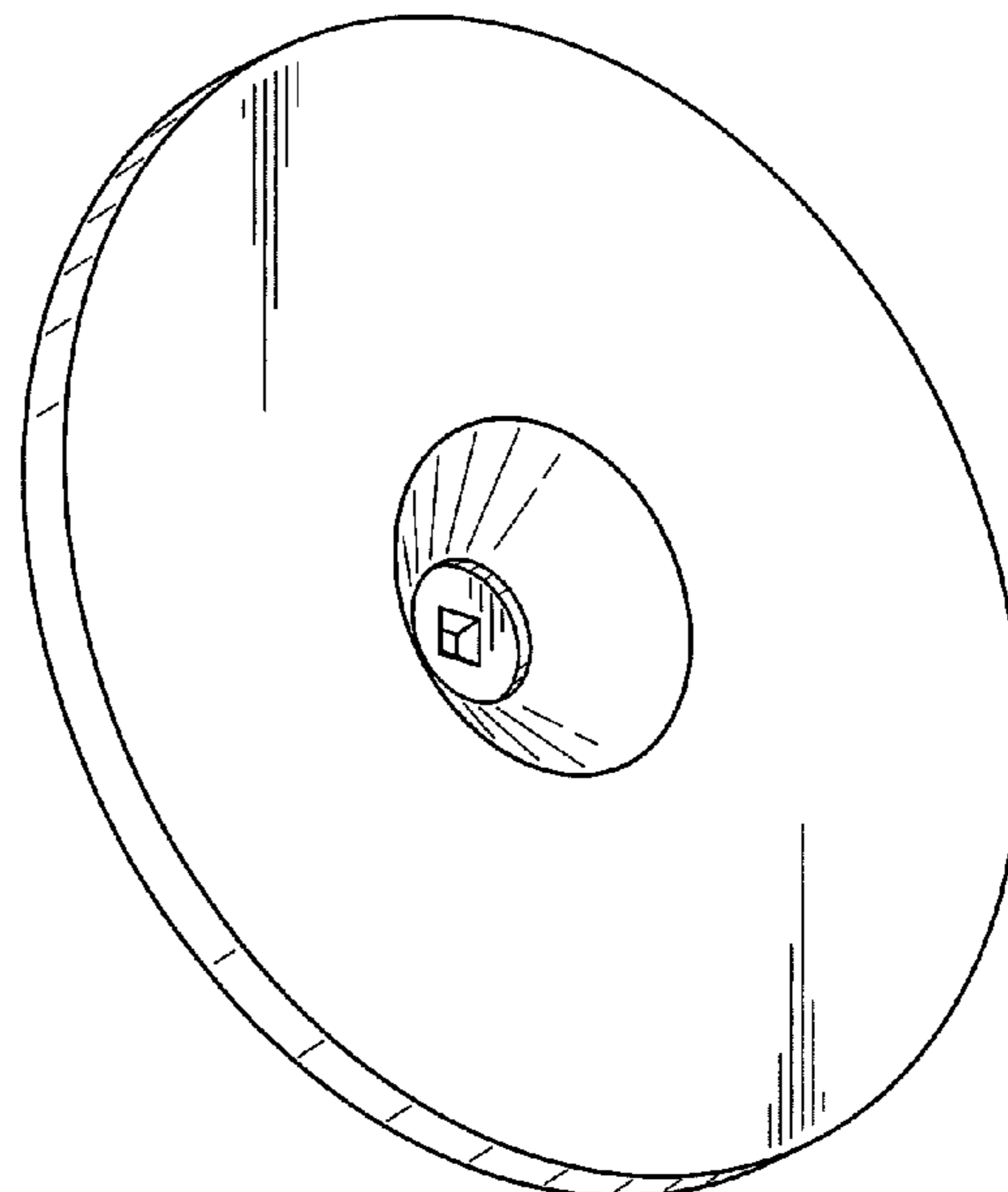
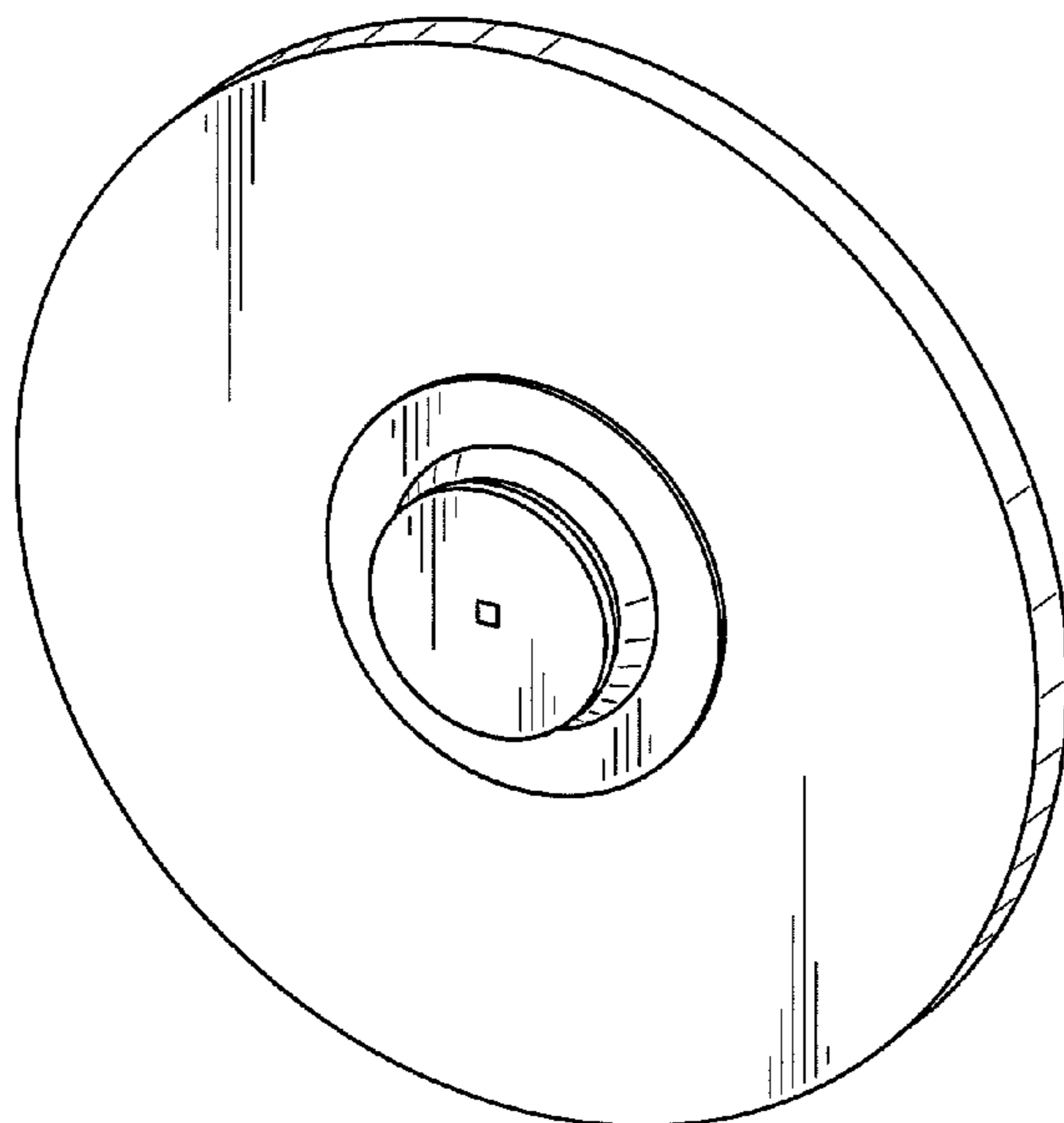
FIG. 7 is a left side elevational view thereof;

FIG. 8 is a right side elevational view thereof; and,

FIG. 9 is a cross sectional view taken along the lines 9-9 of FIG. 3.

The broken line hatching shown in FIG. 9 represents unclaimed subject matter and forms no part of the claimed design.

1 Claim, 3 Drawing Sheets



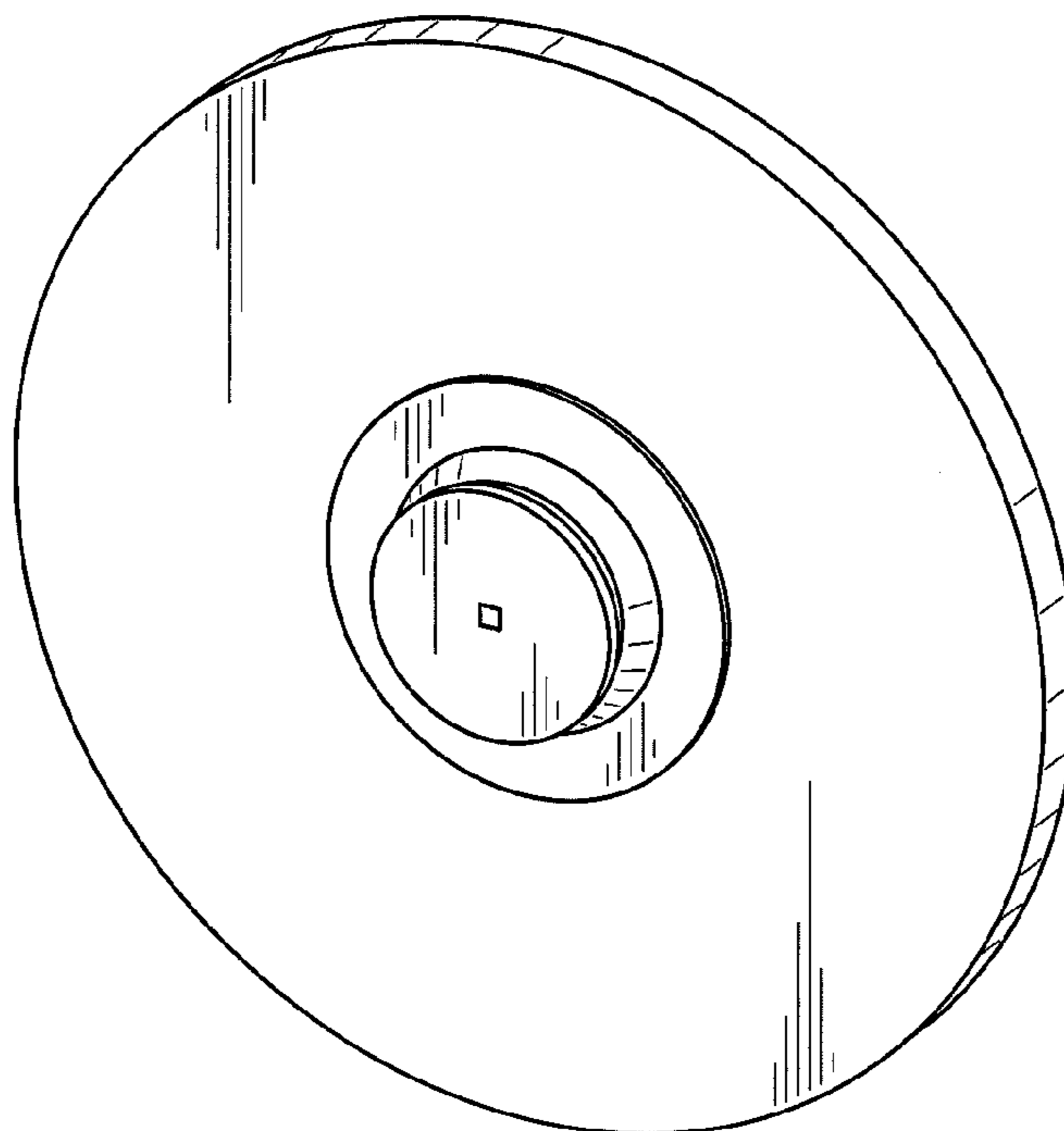


FIG. 1

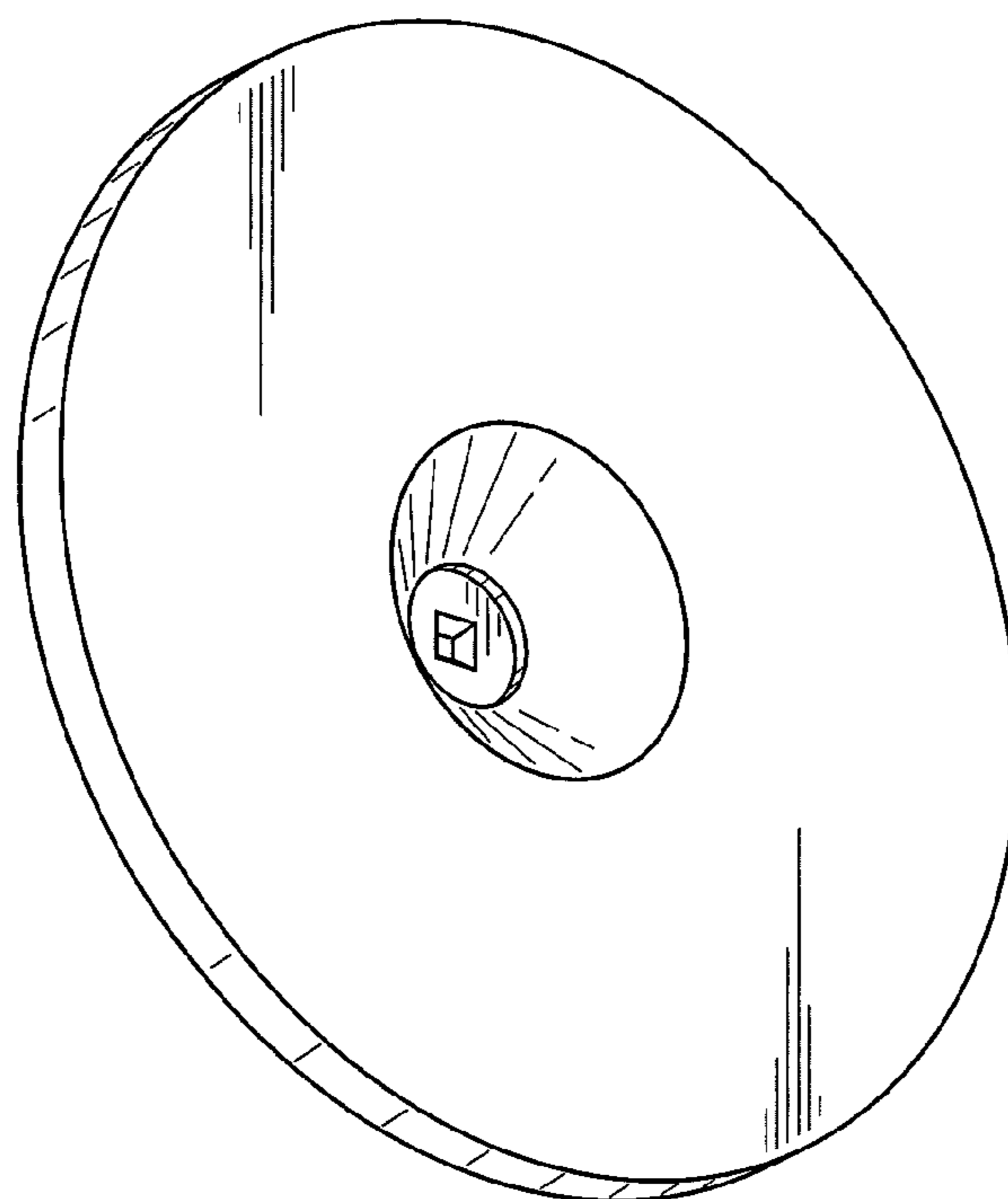


FIG. 2

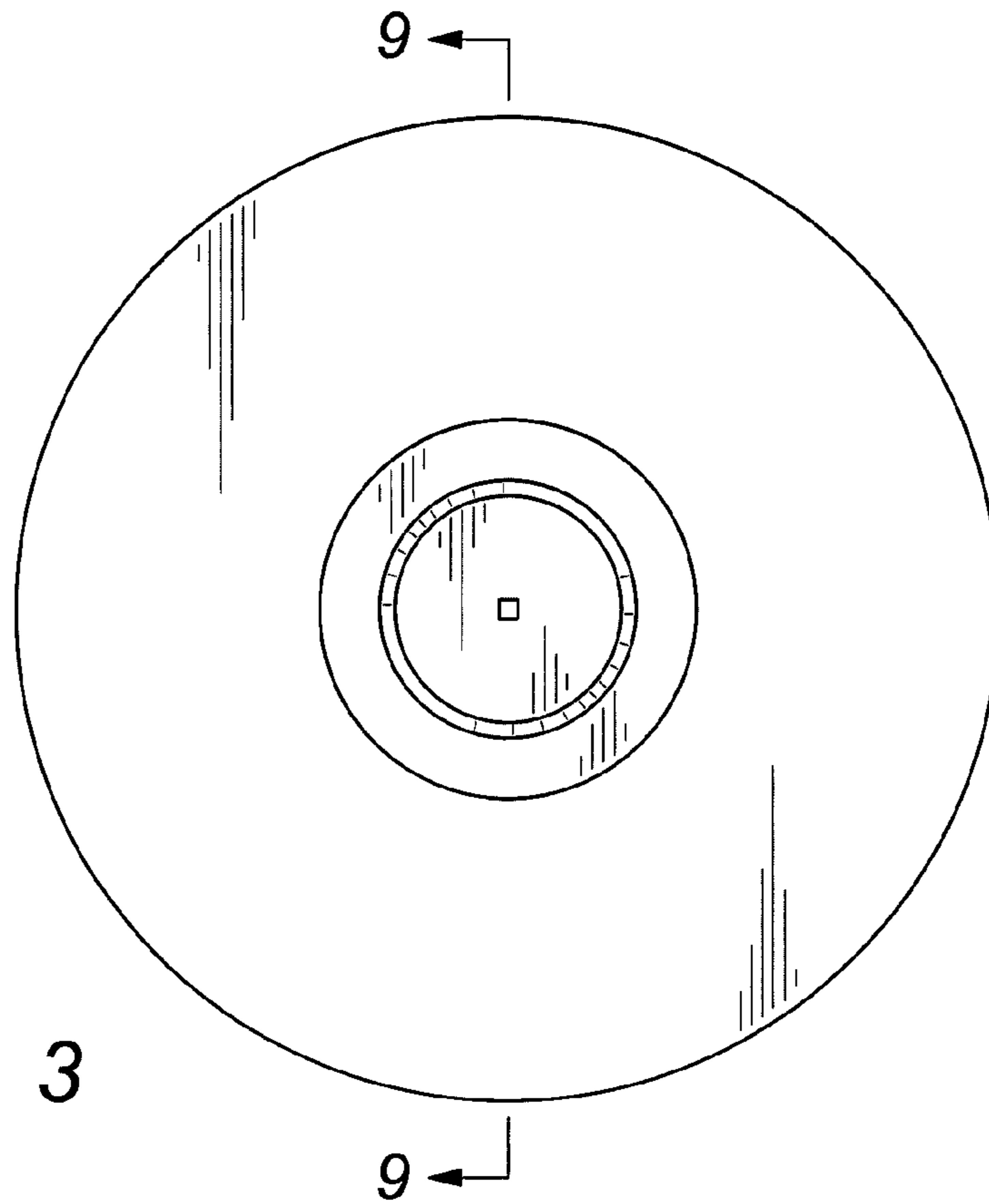


FIG. 3

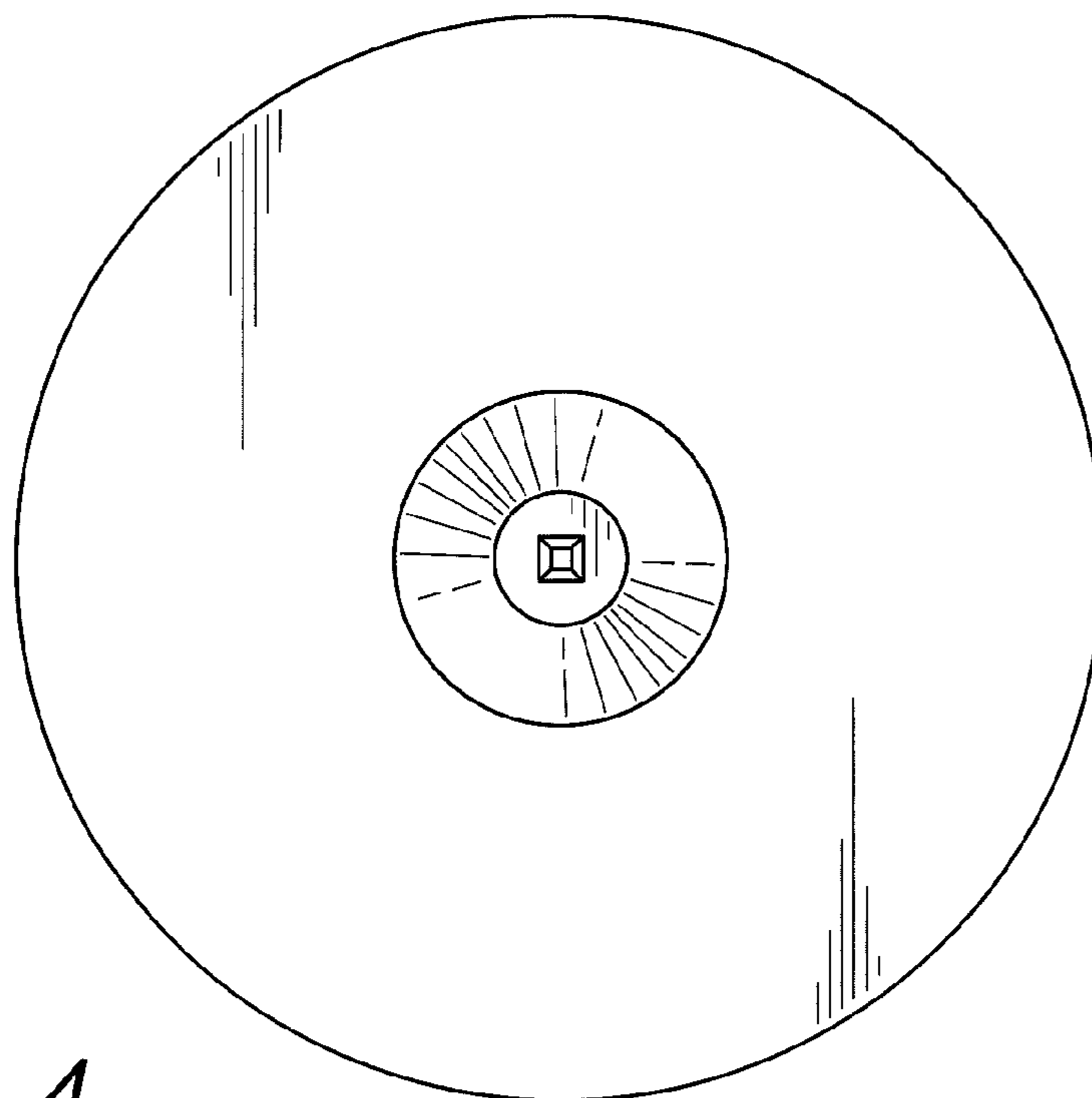


FIG. 4

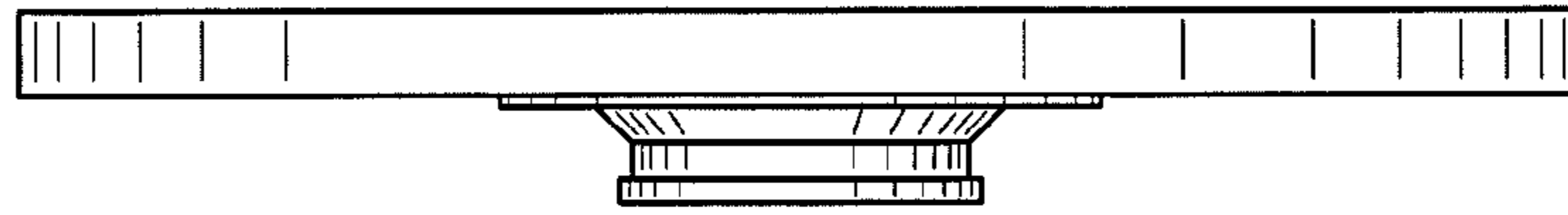


FIG. 5

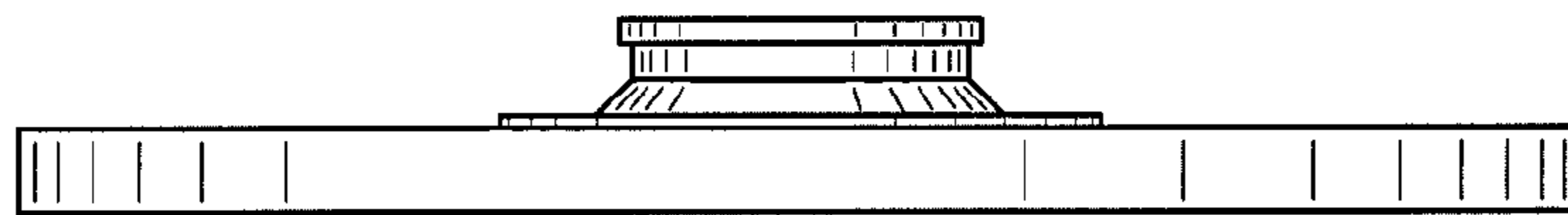


FIG. 6



FIG. 7

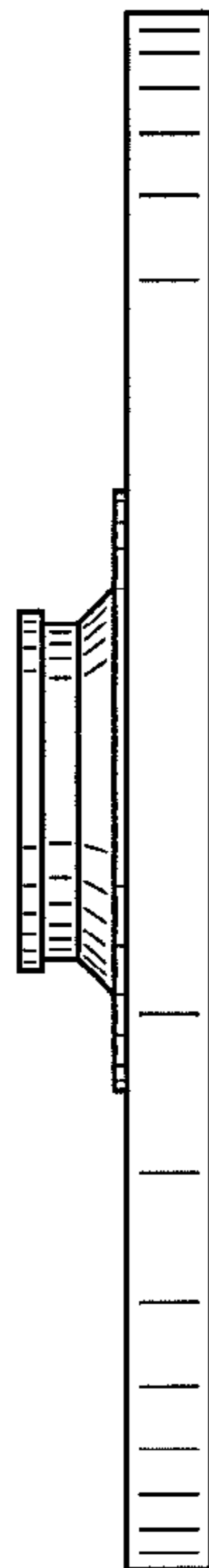


FIG. 8

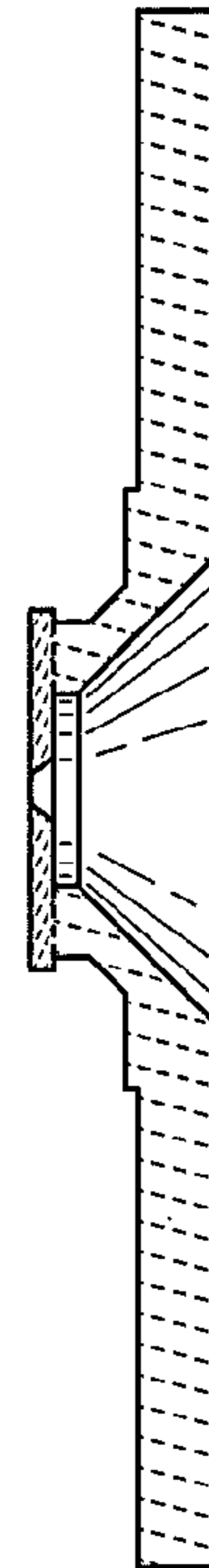


FIG. 9