



US00D731568S

(12) **United States Design Patent**
Lee

(10) **Patent No.:** **US D731,568 S**
(45) **Date of Patent:** **** Jun. 9, 2015**

(54) **COMPRESSION MOLDING MACHINE FOR TABLETS**

(71) Applicant: **SEJONG PHARMATECH CO., LTD.**,
Incheon (KR)

(72) Inventor: **Won Woo Lee**, Bucheon-si (KR)

(73) Assignee: **SEJONG PHARMATECH CO., LTD.**
(KR)

(**) Term: **14 Years**

(21) Appl. No.: **29/481,160**

(22) Filed: **Feb. 3, 2014**

(30) **Foreign Application Priority Data**

Aug. 1, 2013 (KR) 30-2013-0039922

(51) **LOC (10) Cl.** **15-09**

(52) **U.S. Cl.**
USPC **D15/145**

(58) **Field of Classification Search**
USPC D15/122, 145, 146
See application file for complete search history.

(56) **References Cited**

U.S. PATENT DOCUMENTS

D190,682 S * 6/1961 Merrill D15/145
3,910,737 A * 10/1975 Shimada et al. 425/140

4,832,880 A * 5/1989 Staniforth 264/460
4,914,089 A * 4/1990 Tax 514/170
D426,563 S * 6/2000 Yang D15/145
D455,777 S * 4/2002 Beckstrom et al. D15/145
D613,319 S * 4/2010 Okamoto et al. D15/145
D626,161 S * 10/2010 Torre D15/145
D626,981 S * 11/2010 Okamoto et al. D15/145
D629,822 S * 12/2010 Torre D15/145
D643,865 S * 8/2011 Okamoto et al. D15/145
D667,035 S * 9/2012 Rapp D15/145
D672,796 S * 12/2012 Winkler et al. D15/145

* cited by examiner

Primary Examiner — Patricia Palasik
(74) *Attorney, Agent, or Firm* — Cantor Colburn LLP

(57) **CLAIM**
The ornamental design for a compression molding machine for tablets, as shown and described.

DESCRIPTION

FIG. 1 is a perspective view of a compression molding machine for tablets showing my new design;
FIG. 2 is a front view thereof;
FIG. 3 is a rear view thereof;
FIG. 4 is a left side view thereof;
FIG. 5 is a right side view thereof;
FIG. 6 is a top plan view thereof; and,
FIG. 7 is a bottom plan view thereof.

1 Claim, 7 Drawing Sheets

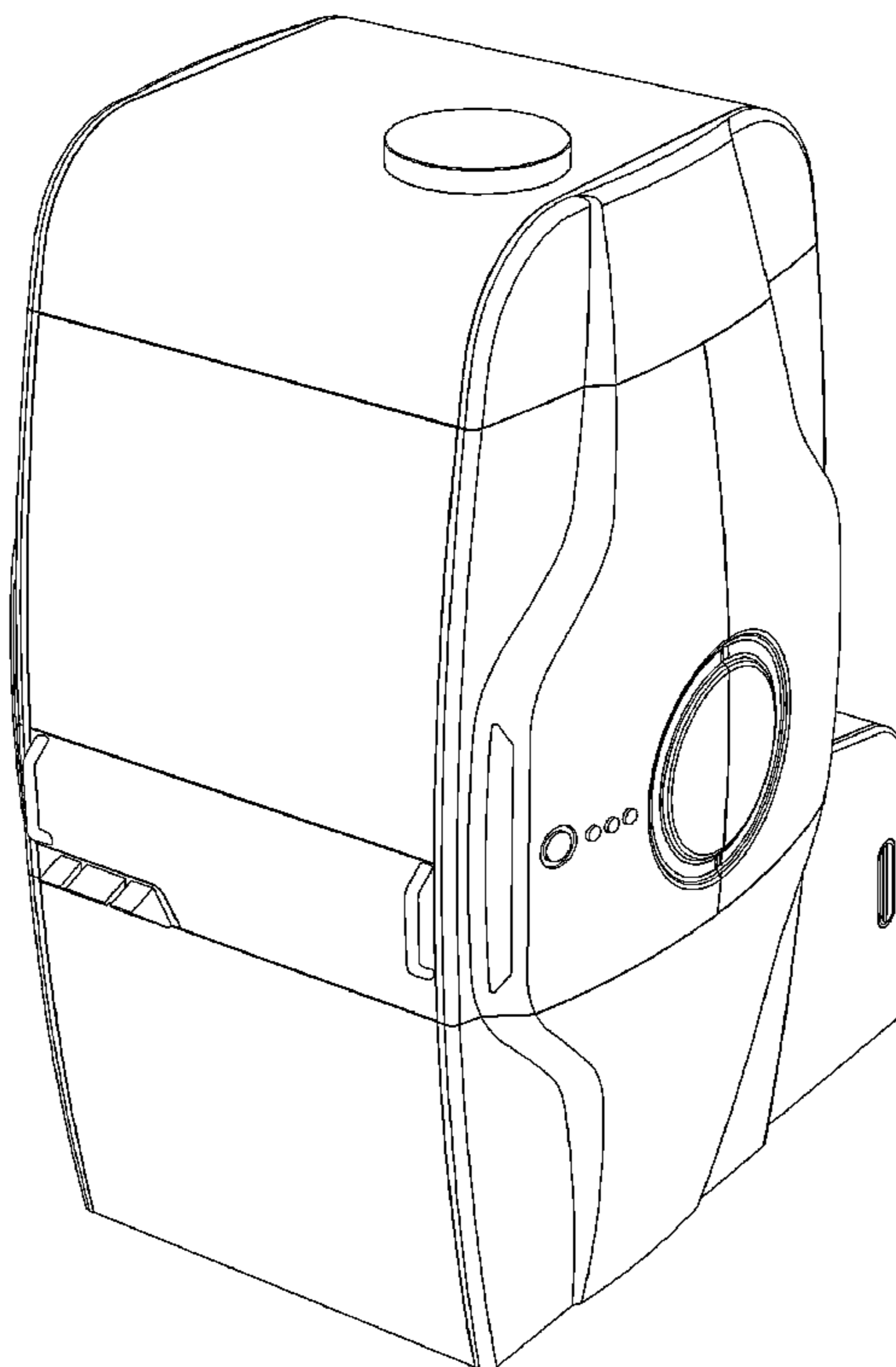


FIG. 1

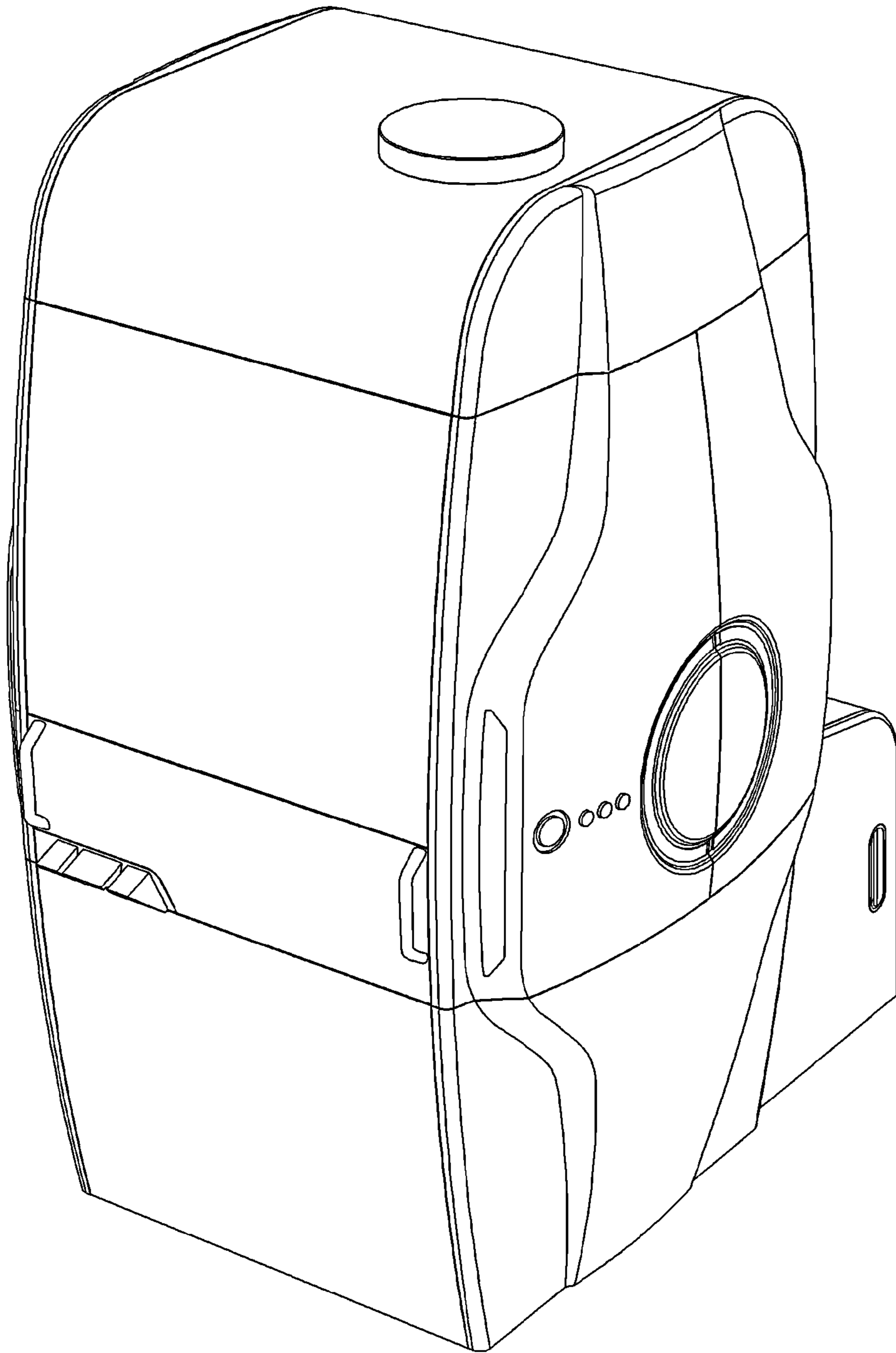


FIG. 2

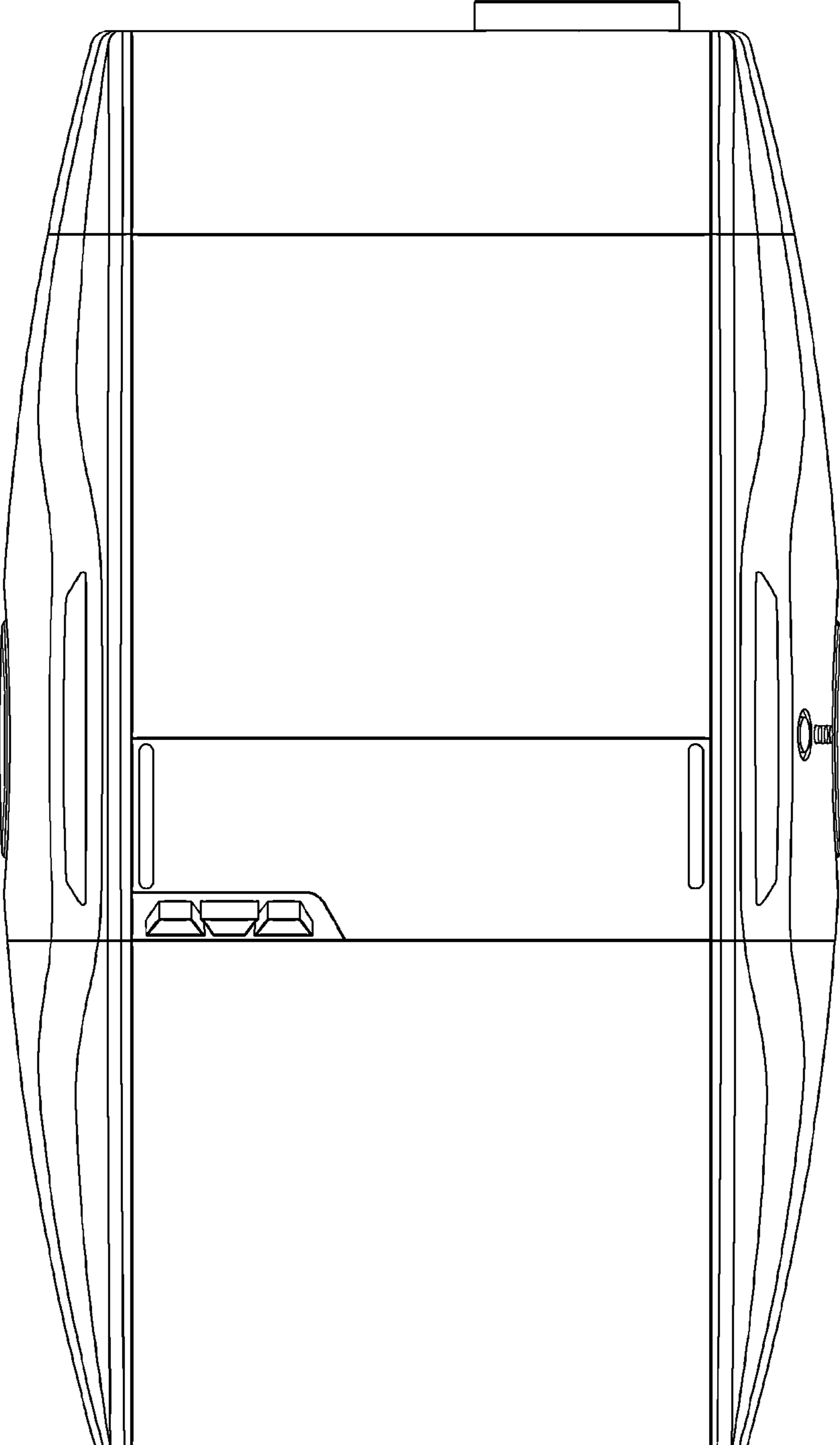


FIG. 3

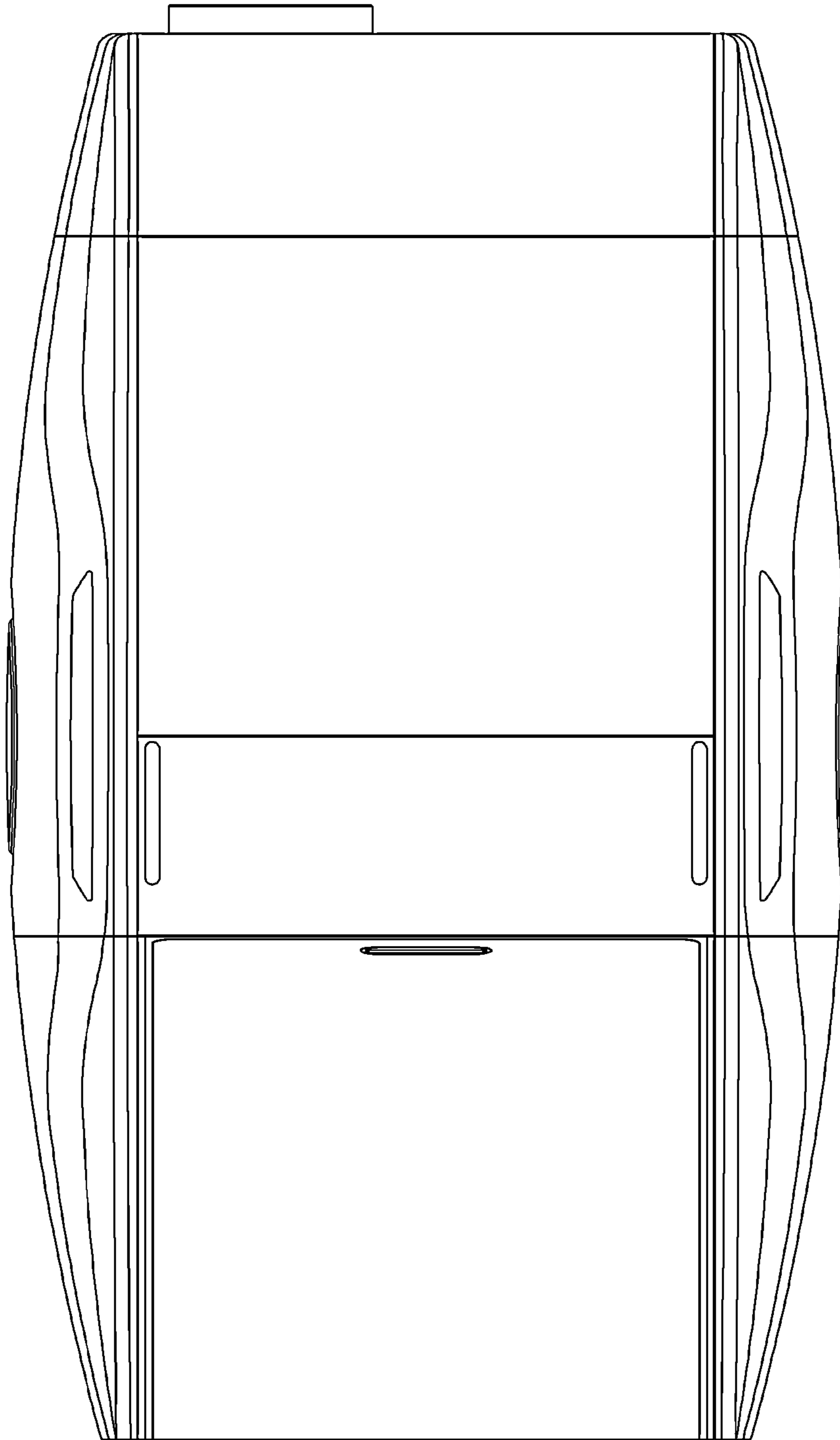


FIG. 4

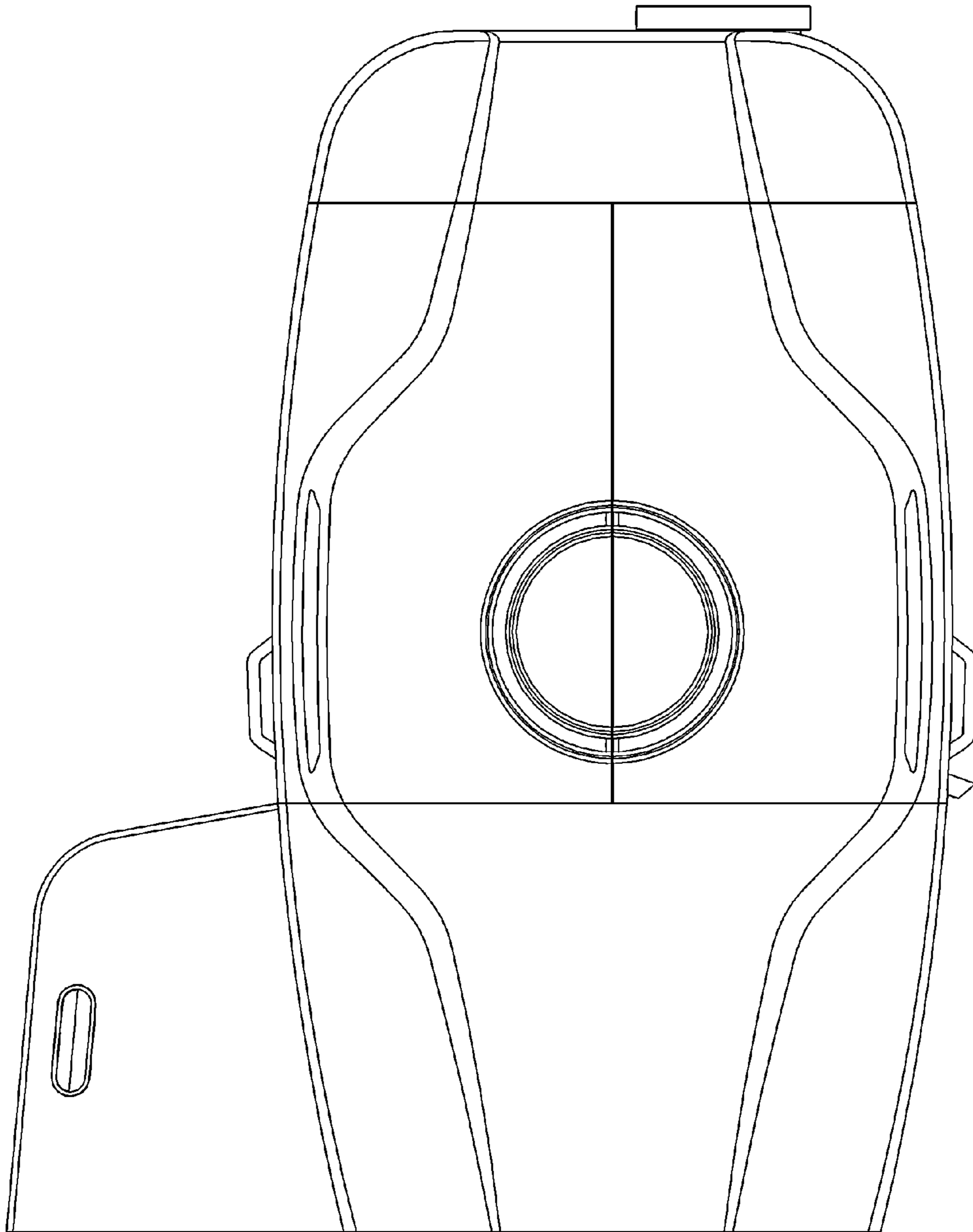


FIG. 5

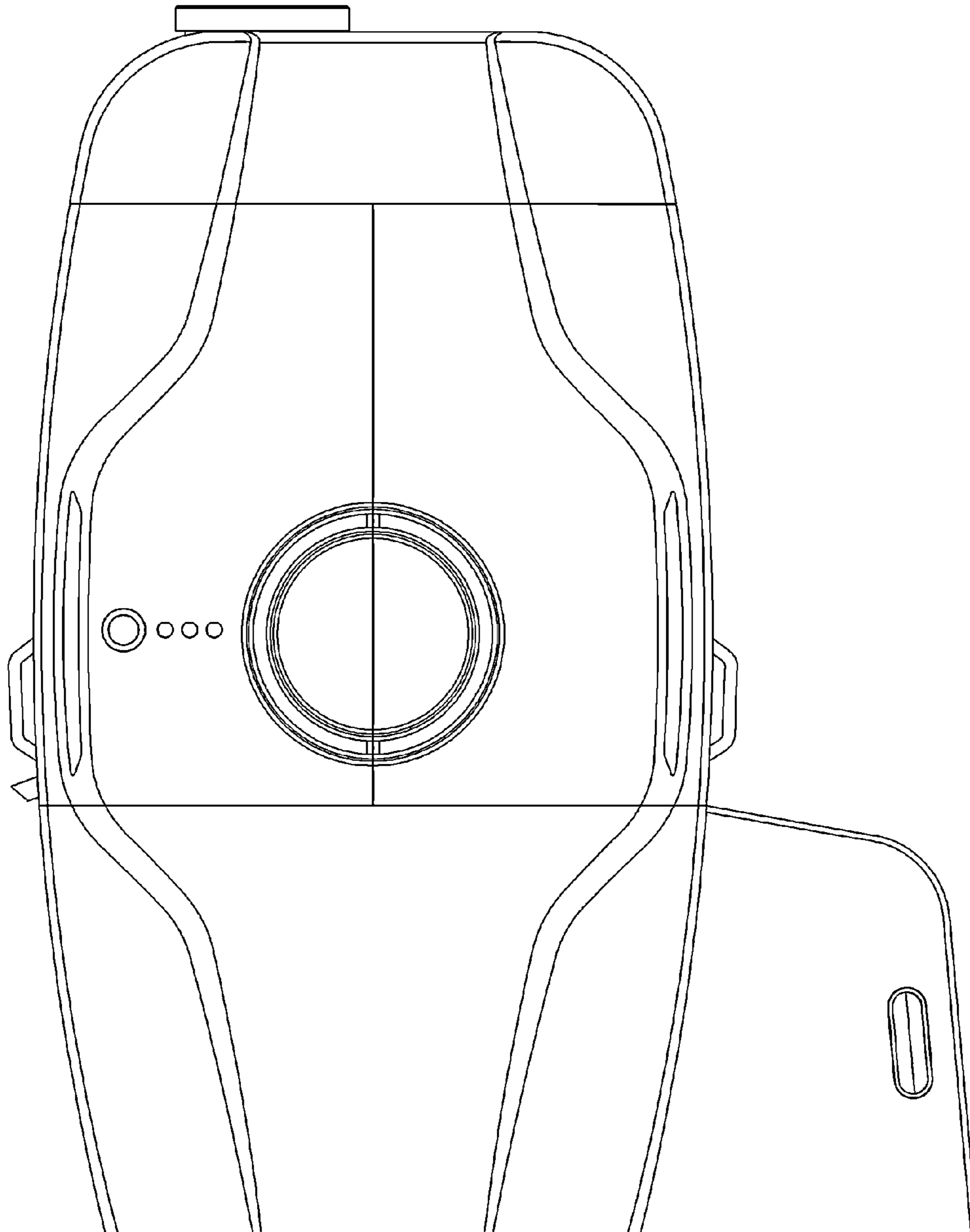


FIG. 6

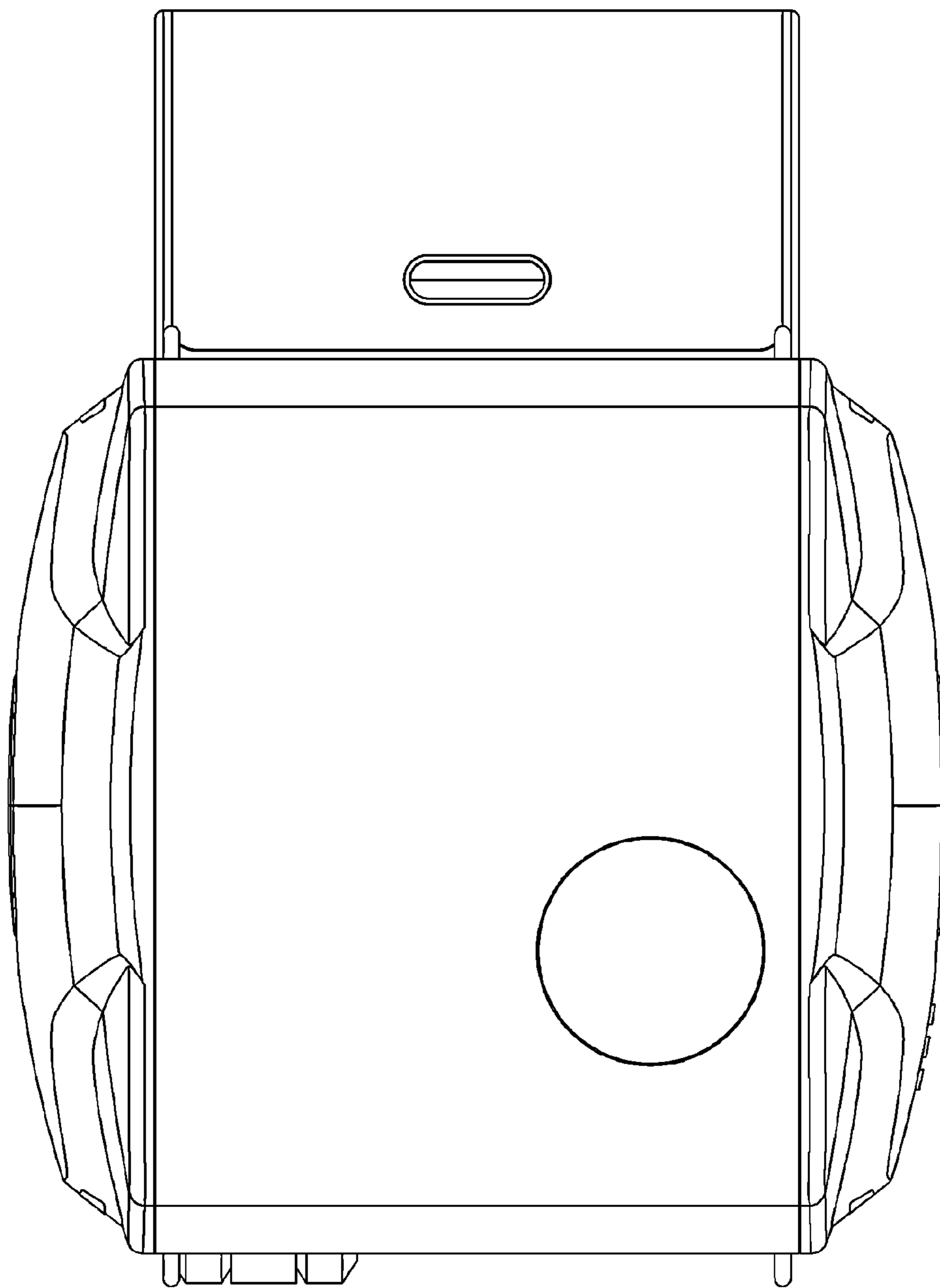


FIG. 7

