



US00D731565S

(12) **United States Design Patent**
Weeks et al.

(10) **Patent No.:** **US D731,565 S**
(45) **Date of Patent:** **** Jun. 9, 2015**

(54) **STEPPED HAMMER FOR SHREDDING MACHINES**

(71) Applicant: **ESCO Corporation**, Portland, OR (US)

(72) Inventors: **Michael R. Weeks**, Portland, OR (US);
David M. Graf, Scappoose, OR (US);
Christopher M. Carpenter, Tualatin, OR (US)

(73) Assignee: **ESCO Corporation**, Portland, OR (US)

(**) Term: **14 Years**

(21) Appl. No.: **29/472,639**

(22) Filed: **Nov. 14, 2013**

(51) **LOC (10) Cl.** **15-09**

(52) **U.S. Cl.**
USPC **D15/123**

(58) **Field of Classification Search**
USPC D15/123, 138, 139; D18/34.1, 34.3,
D18/34.4–34.6, 34.8, 34.9; 241/73, 194,
241/195–197, 189.1
CPC B02C 13/00; B02C 13/02; B02C 13/04;
B02C 13/28; B02C 13/2804; B02C
2013/2808; B02C 2013/2812

See application file for complete search history.

(56) **References Cited**

U.S. PATENT DOCUMENTS

1,132,047 A	3/1915	Thompson
1,281,829 A	10/1918	Plaisted
1,301,316 A	4/1919	Plaisted
RE14,865 E	5/1920	Plaisted
1,600,987 A	9/1926	Maher
1,675,464 A	7/1928	Pryor
1,721,821 A	7/1929	Xnittel
1,733,637 A	10/1929	Williams et al.
1,760,097 A	5/1930	Williams
1,791,007 A	2/1931	Spitzer
1,807,197 A	5/1931	Clement

1,827,986 A	10/1931	Iglehart
1,850,244 A	3/1932	Shelton
1,889,129 A	11/1932	Nielsen
1,909,623 A	5/1933	McDowell
1,917,525 A	7/1933	Jensen
1,954,175 A	4/1934	Jansen
RE19,330 E	10/1934	Alfred
2,045,690 A	6/1936	Armstrong
2,237,510 A	4/1941	Tankersley
2,331,597 A	10/1943	Coles
2,379,360 A	6/1945	Korum
2,467,865 A	4/1949	Smith
3,025,067 A	3/1962	Raney et al.

(Continued)

FOREIGN PATENT DOCUMENTS

JP	2003 331247 A	11/2002
RU	2330721 C2	8/2008

(Continued)

Primary Examiner — Bridget L Eland

(74) *Attorney, Agent, or Firm* — Steven P. Schad

(57) **CLAIM**

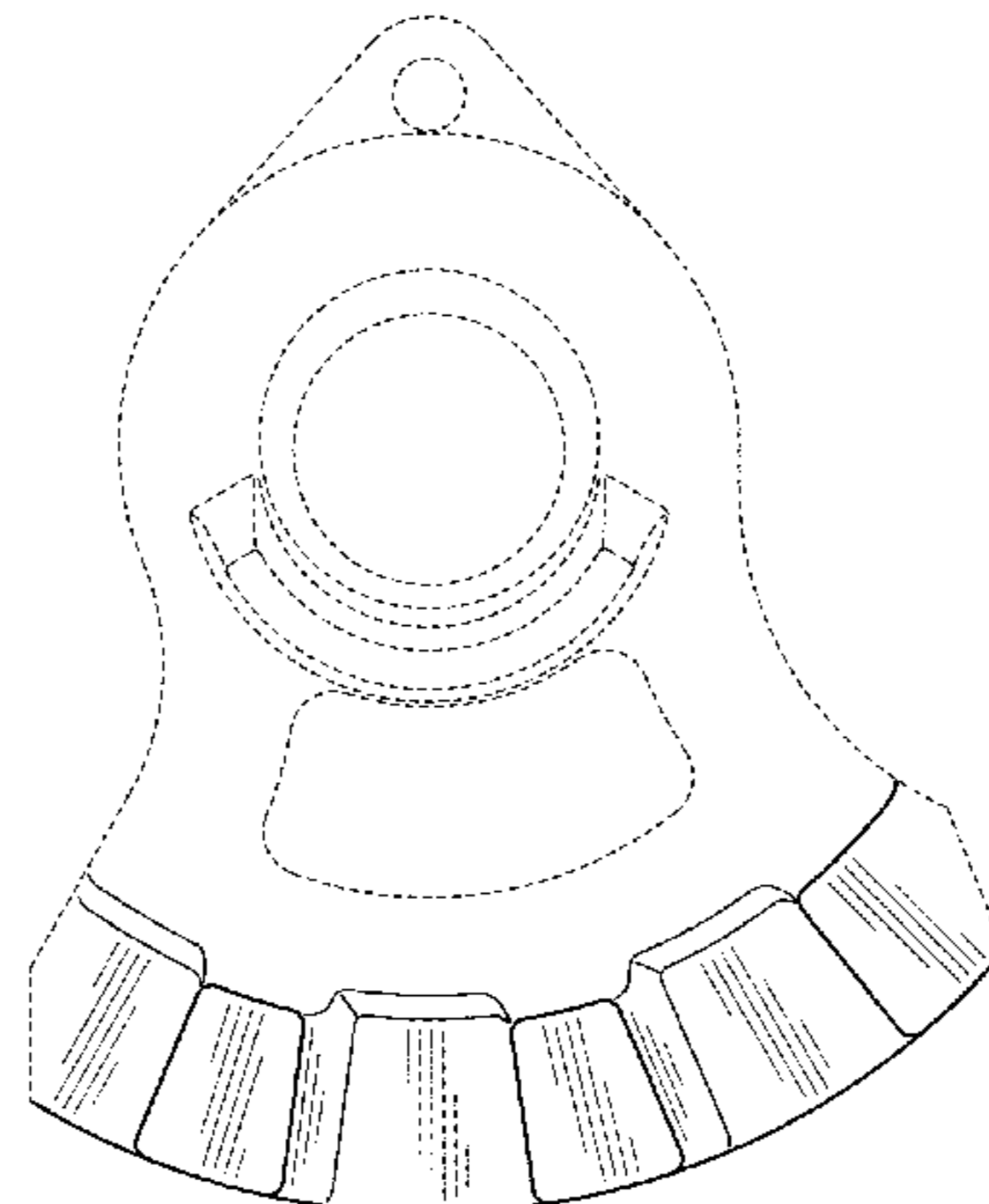
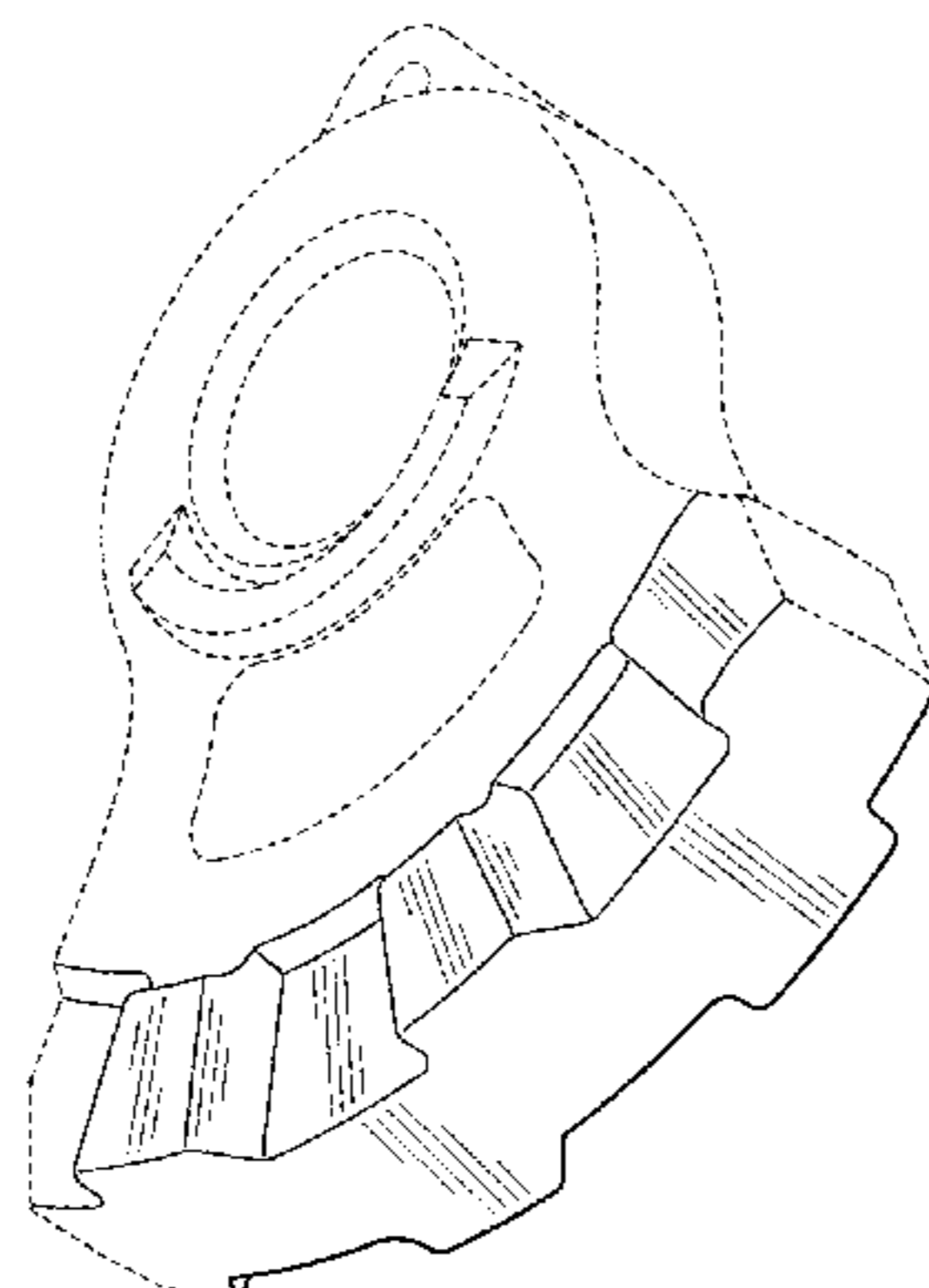
The ornamental design for a stepped hammer for shredding machines, as shown and described.

DESCRIPTION

FIG. 1 is a perspective view of a stepped hammer for shredding machines in accordance with the present invention; FIG. 2 is a front view thereof; FIG. 3 is a first side view thereof; FIG. 4 is a back view thereof; FIG. 5 is a second side view thereof; FIG. 6 is a bottom view thereof; and, FIG. 7 is a top view thereof.

The broken lines immediately adjacent the shaded areas represent the bounds of the claimed design while all other broken lines are directed to environment; the broken lines form no part of the claimed design.

1 Claim, 3 Drawing Sheets



(56)

References Cited

U.S. PATENT DOCUMENTS

3,580,518 A 5/1971 Strom
 3,844,494 A 10/1974 Hightower
 4,000,859 A 1/1977 Whitney
 4,049,202 A 9/1977 Schmidt
 4,060,961 A 12/1977 Anderson et al.
 4,141,512 A 2/1979 Francis
 4,146,185 A 3/1979 Schober
 4,149,677 A 4/1979 Graveman et al.
 4,310,125 A 1/1982 Novotny
 4,373,679 A 2/1983 Kawano
 4,504,019 A 3/1985 Newell et al.
 4,558,826 A 12/1985 Martinek
 4,600,160 A 7/1986 Mengel
 4,662,570 A * 5/1987 Heeren et al. 241/79.1
 4,973,005 A 11/1990 Haesebrouck et al.
 5,443,216 A 8/1995 Lajole
 5,598,981 A 2/1997 Hellmich
 5,722,607 A 3/1998 Hellmich
 5,975,167 A 11/1999 Brown
 D426,556 S 6/2000 Bradley et al.
 D428,026 S * 7/2000 Bernadic et al. D15/139
 6,102,312 A 8/2000 Aberle
 D453,670 S * 2/2002 Levinson D8/70
 D456,425 S * 4/2002 Kim D15/139

D458,619 S * 6/2002 Lee et al. D15/139
 D494,607 S * 8/2004 Hunag D15/139
 D536,351 S * 2/2007 Young D15/123
 D541,846 S * 5/2007 Lo D18/34.9
 D545,328 S * 6/2007 Young D15/123
 D552,638 S 10/2007 Willbald
 7,325,761 B2 2/2008 Chen et al.
 D574,400 S 8/2008 Willbald
 7,419,109 B1 9/2008 Ronfeld et al.
 7,621,477 B2 11/2009 Young
 7,819,352 B2 10/2010 Young
 7,850,107 B2 12/2010 Schafer
 D637,633 S 5/2011 Young et al.
 D681,081 S * 4/2013 Neal et al. D15/139
 2009/0184187 A1 7/2009 Robinson
 2009/0250538 A1 10/2009 Schmitz et al.
 2010/0090047 A1 4/2010 Willbald
 2010/0213301 A1 8/2010 Hoice et al.
 2013/0233955 A1 * 9/2013 Morrow et al. 241/189.1
 2014/0151475 A1 * 6/2014 Graf et al. 241/27
 2014/0299689 A1 * 10/2014 Morrow et al. 241/89.3

FOREIGN PATENT DOCUMENTS

SU 264149 A 5/1971
 SU 893255 A 12/1981

* cited by examiner

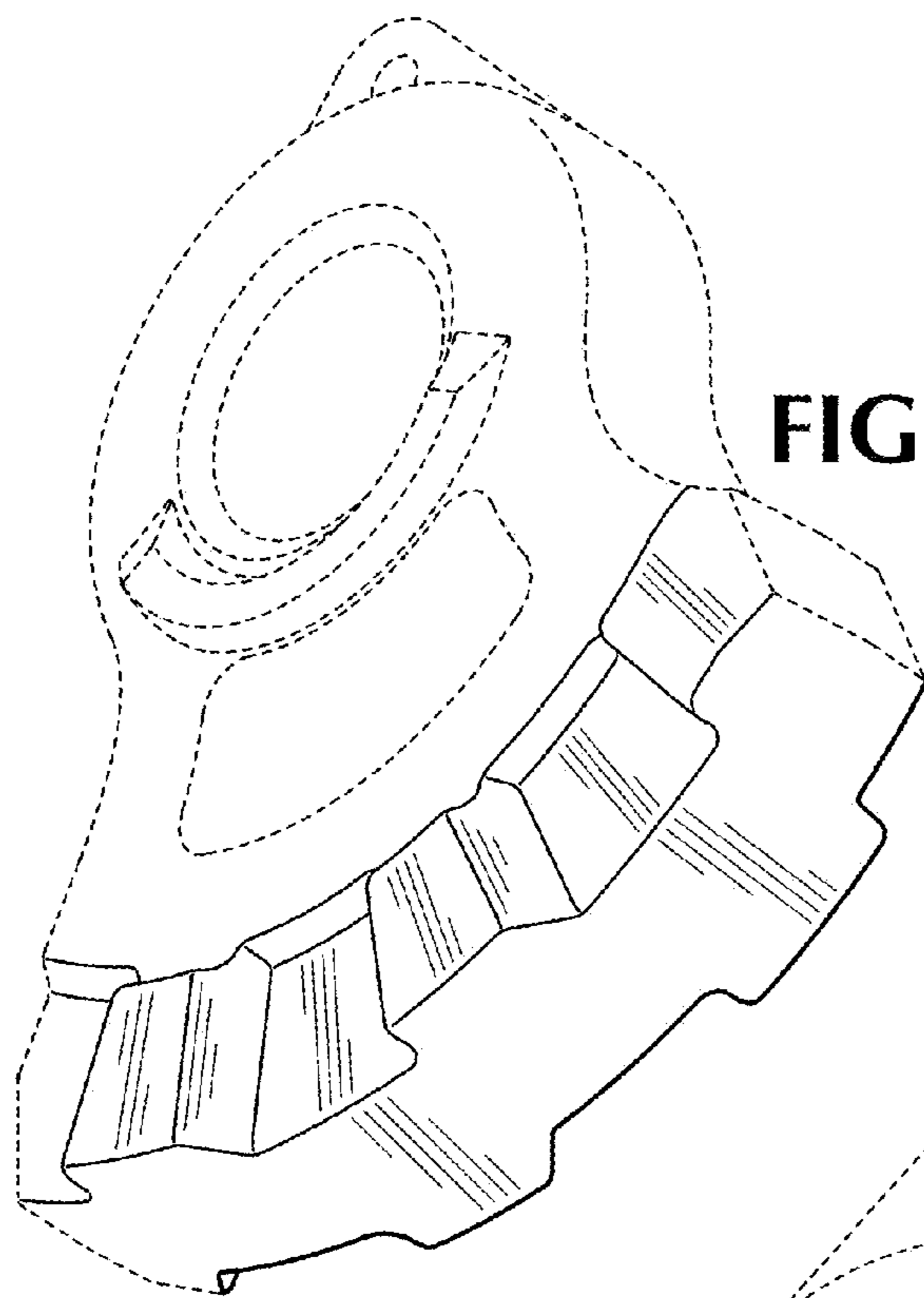


FIG. 1

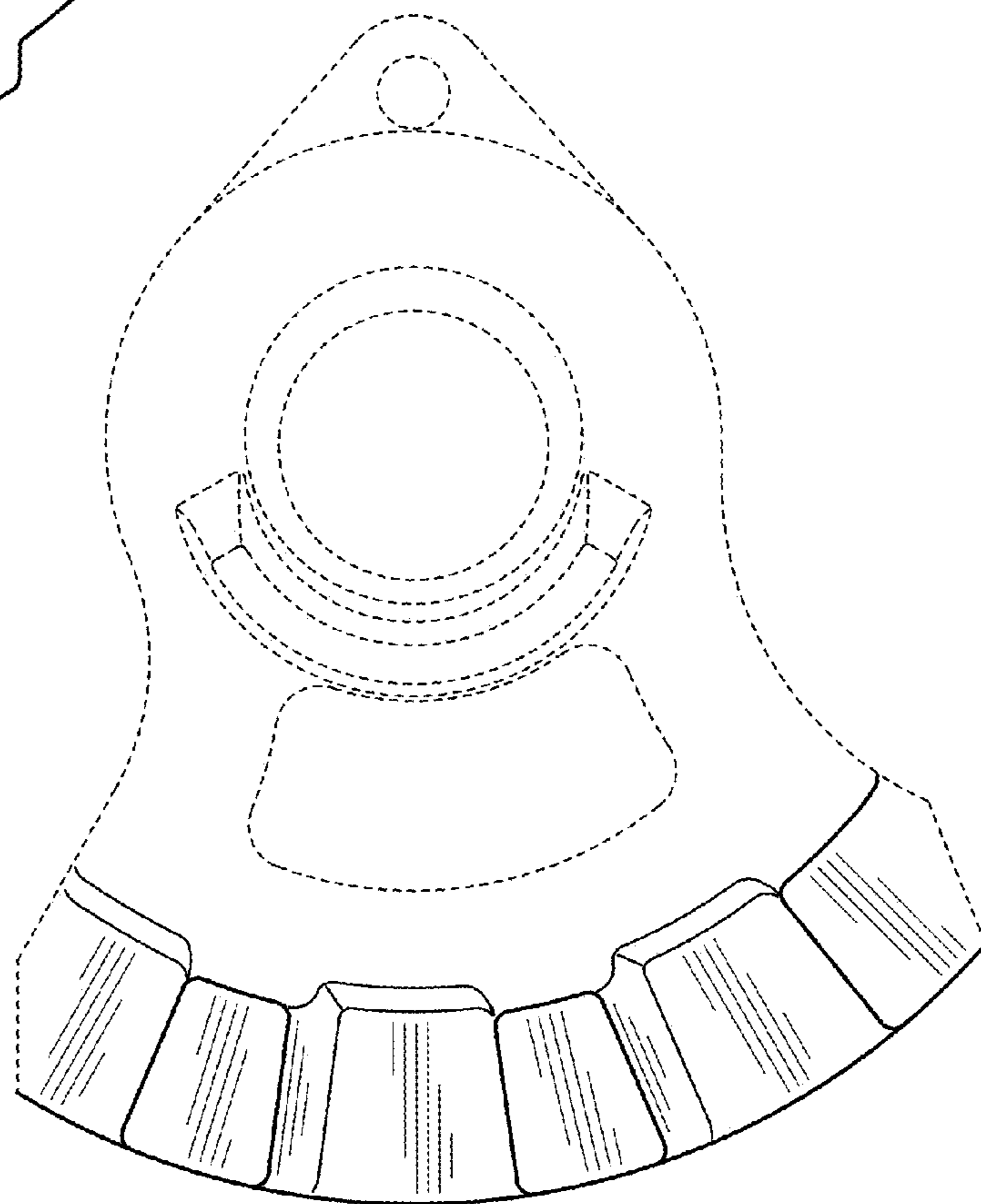


FIG. 2

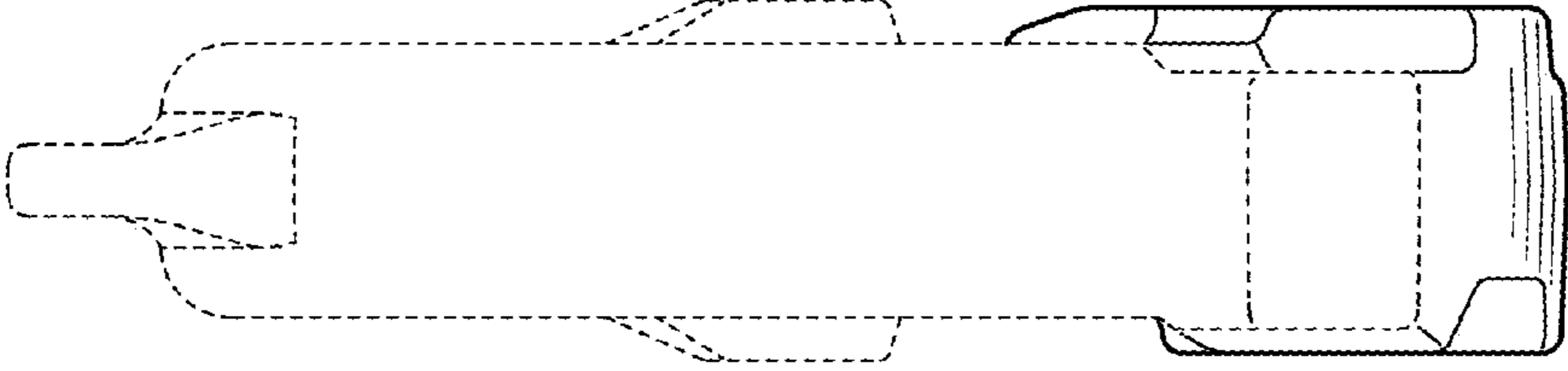


FIG. 3

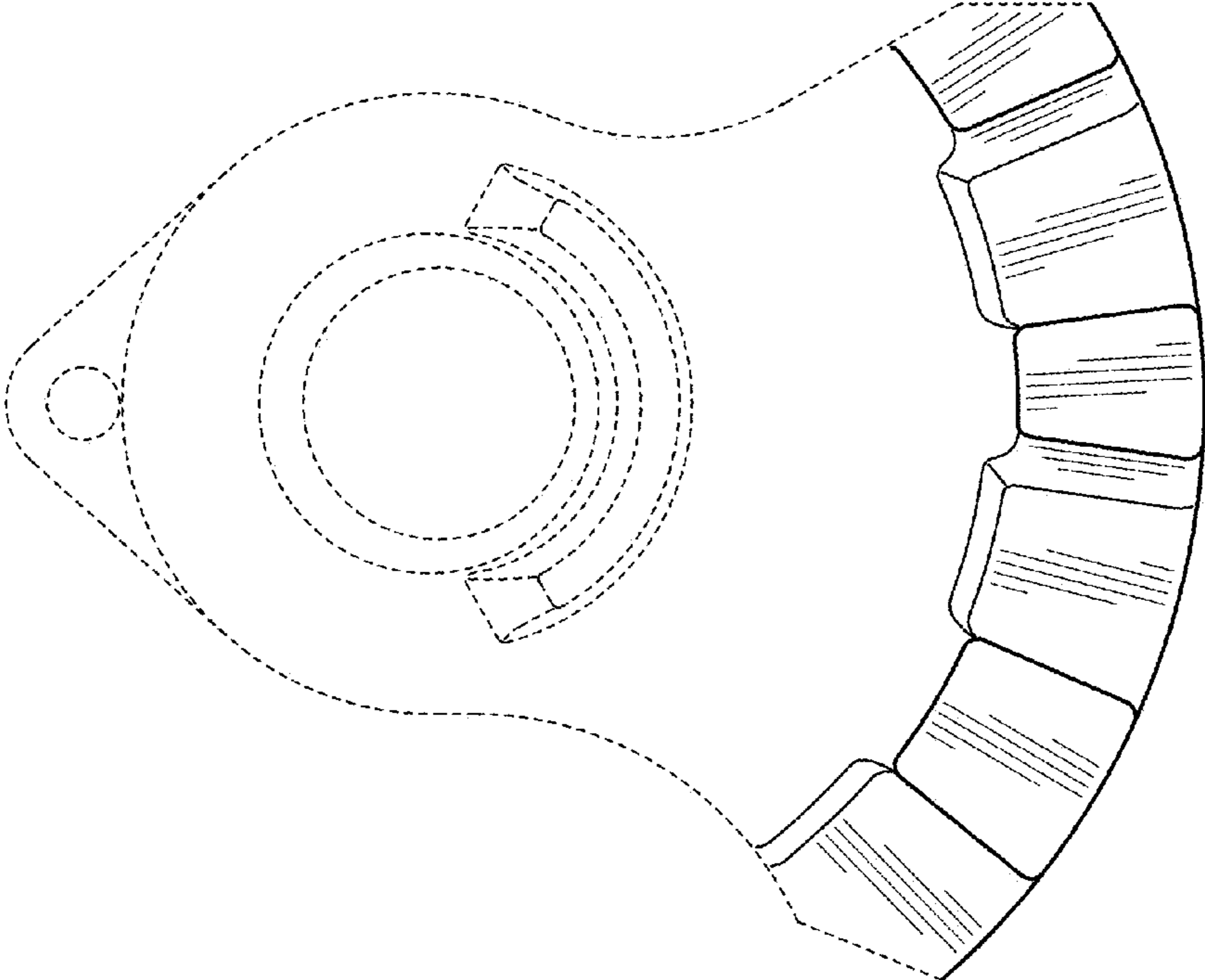


FIG. 4

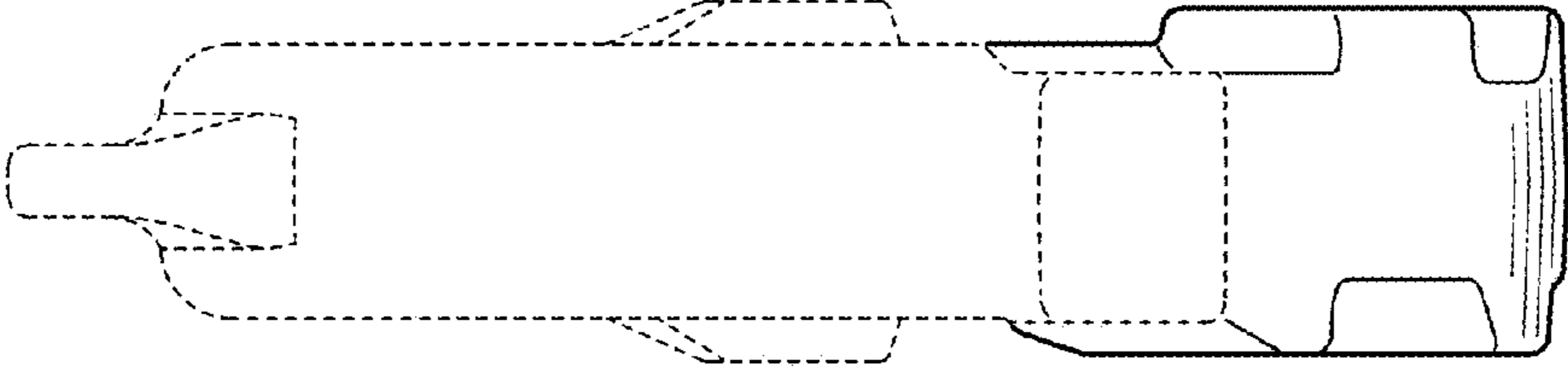


FIG. 5

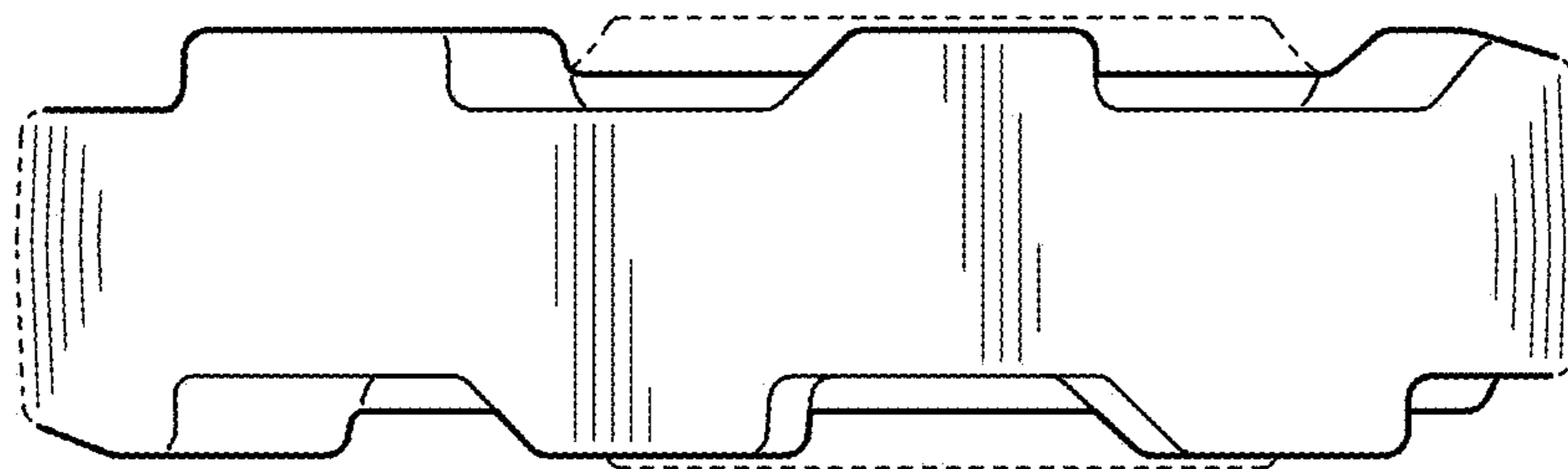


FIG. 6

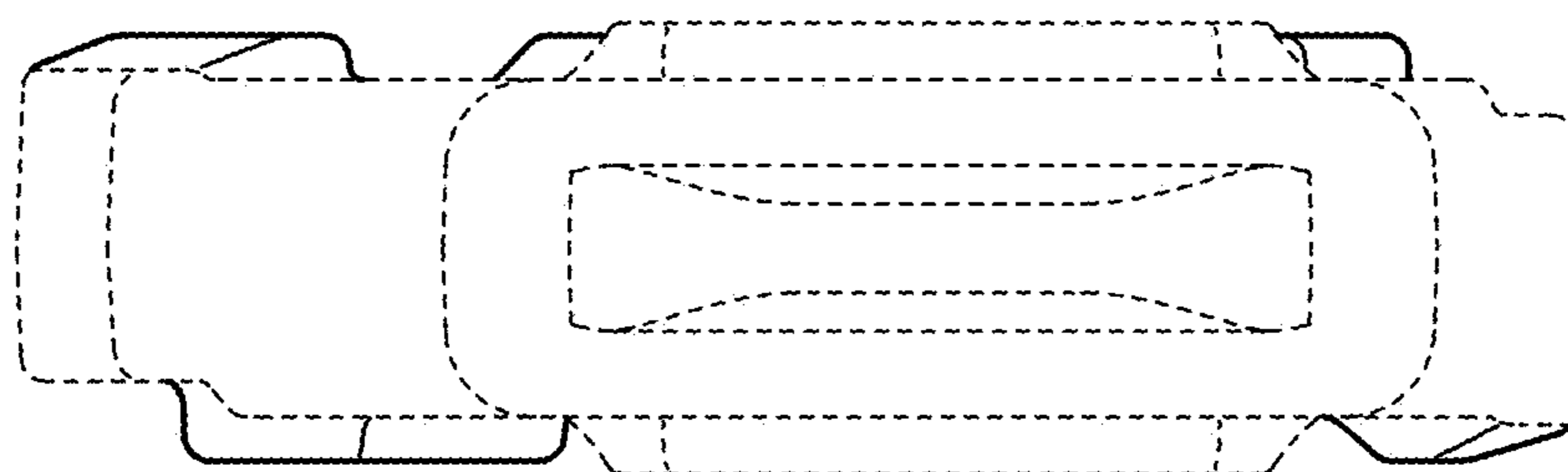


FIG. 7