



US00D731562S

(12) **United States Design Patent**
You et al.

(10) **Patent No.:** **US D731,562 S**
(45) **Date of Patent:** **** Jun. 9, 2015**

(54) **GUIDE FOR DRAWER OF REFRIGERATOR**

(71) Applicant: **LG Electronics Inc.**, Seoul (KR)

(72) Inventors: **Myungdong You**, Incheon (KR);
Hyungki Kim, Seoul (KR); **Junyi Heo**,
Jeollabuk-do (KR)

(73) Assignee: **LG Electronics Inc.**, Seoul (KR)

(**) Term: **14 Years**

(21) Appl. No.: **29/473,754**

(22) Filed: **Nov. 26, 2013**

(30) **Foreign Application Priority Data**

May 28, 2013 (KR) 30-2013-0027713

(51) **LOC (10) Cl.** **15-07**

(52) **U.S. Cl.**
USPC **D15/89**

(58) **Field of Classification Search**
USPC D15/79-91
CPC F25B 21/02; F25B 2321/02; F25B 1/005;
F25B 2321/0252; F25B 1/00; F25B 1/10;
F25B 21/04; F25B 2339/047; F25B 5/02;
F25B 7/00; F25B 13/00; F25B 1/053; F25B
2309/06; F25B 2321/021; F25B 2321/023;
F25D 23/028; F25D 23/02; F25D 25/025;
F25D 23/00; F25D 2323/021; F25D 11/00;
F25D 2323/024; F25D 23/04; F25D 29/00;
F25D 25/02; F25D 25/024; F25D 27/005;
F25D 23/12; F25D 29/005; F25D 17/042;
F25D 2325/021; A47F 1/126; A47F 1/04;
A47F 5/005; A47F 1/125; A47F 3/002;
A47F 5/0068; A47F 1/12; A47F 3/14; A47F
3/02; A47F 5/0861; A47F 7/281; A47F 1/128;
A47F 5/103; A47F 3/0486; A47F 5/0043

See application file for complete search history.

(56) **References Cited**

U.S. PATENT DOCUMENTS

8,627,965	B2 *	1/2014	Hardy	211/59.3
D709,108	S *	7/2014	Lee et al.	D15/89
D709,533	S *	7/2014	Park et al.	D15/89
D719,194	S *	12/2014	Lee et al.	D15/89
2006/0278596	A1 *	12/2006	Parshad	211/184
2007/0029270	A1 *	2/2007	Hawkinson	211/59.3
2014/0263134	A1 *	9/2014	Walker et al.	211/184

* cited by examiner

Primary Examiner — Daniel Bui

Assistant Examiner — Khawaja Anwar

(74) *Attorney, Agent, or Firm* — Morgan, Lewis & Bockius
LLP

(57) **CLAIM**

The ornamental design for a guide for drawer of refrigerator,
as shown and described.

DESCRIPTION

FIG. 1 is a perspective view of a guide for drawer of refrigerator showing our new design;
FIG. 2 is a front view thereof where the rear view is a mirror image;
FIG. 3 is a left side view thereof where the right side view is a mirror image;
FIG. 4 is a top plan view thereof where the bottom plan view is a mirror image;
FIG. 5 is a reference view thereof showing the state in which the guide for drawer of refrigerator has been installed inside the drawer; and
FIG. 6 is a perspective view thereof, showing an alternate position of the outer portion, in the direction of the arrow;
FIG. 7 is a perspective view thereof, showing an alternate position of the inner portion, in the direction of the arrow; and
FIG. 8 is a perspective view thereof, showing another alternate position of the outer portion, in the direction of the arrow. The broken lines are for illustrative purposes only and form no part of the claimed design.

1 Claim, 8 Drawing Sheets

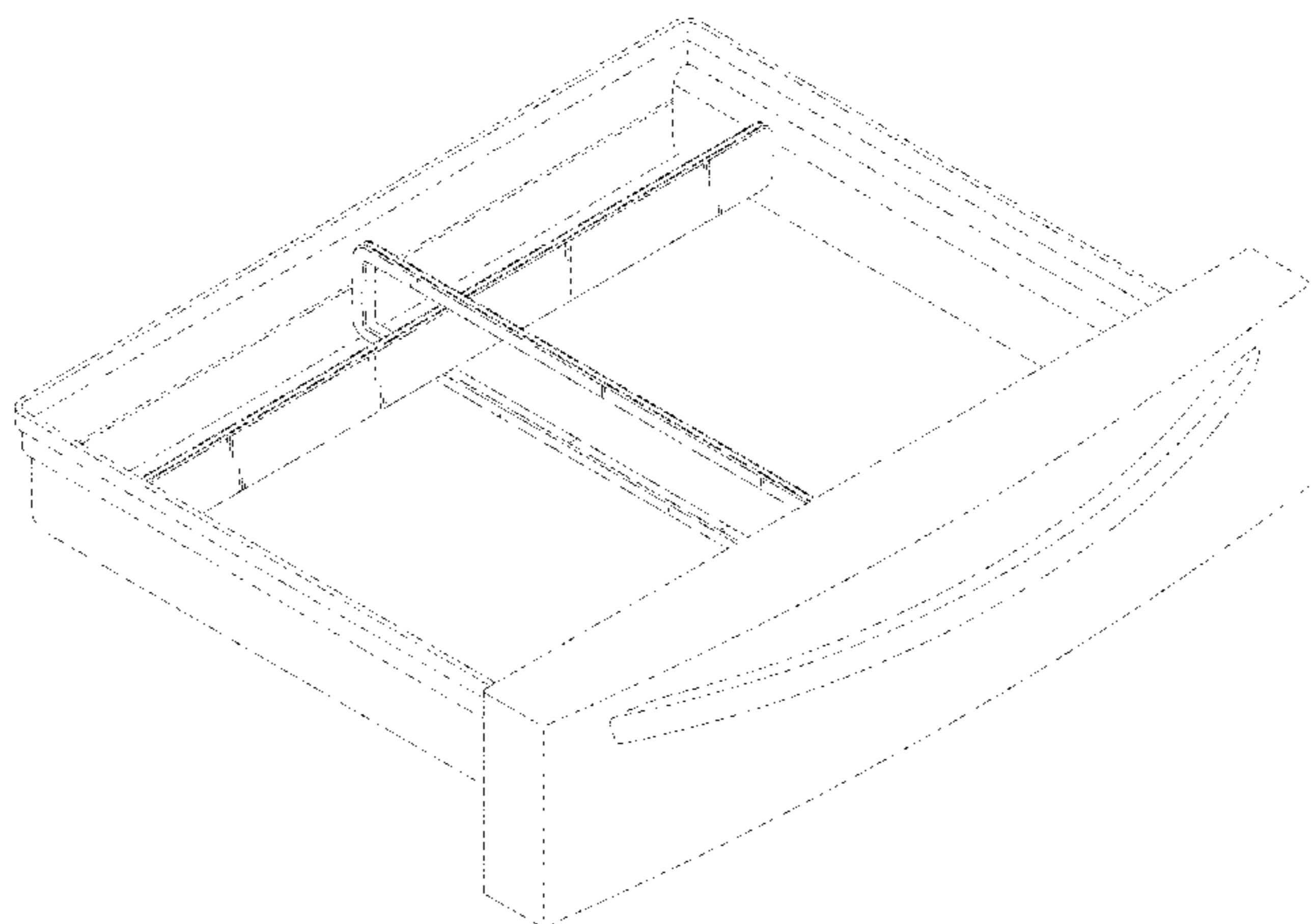
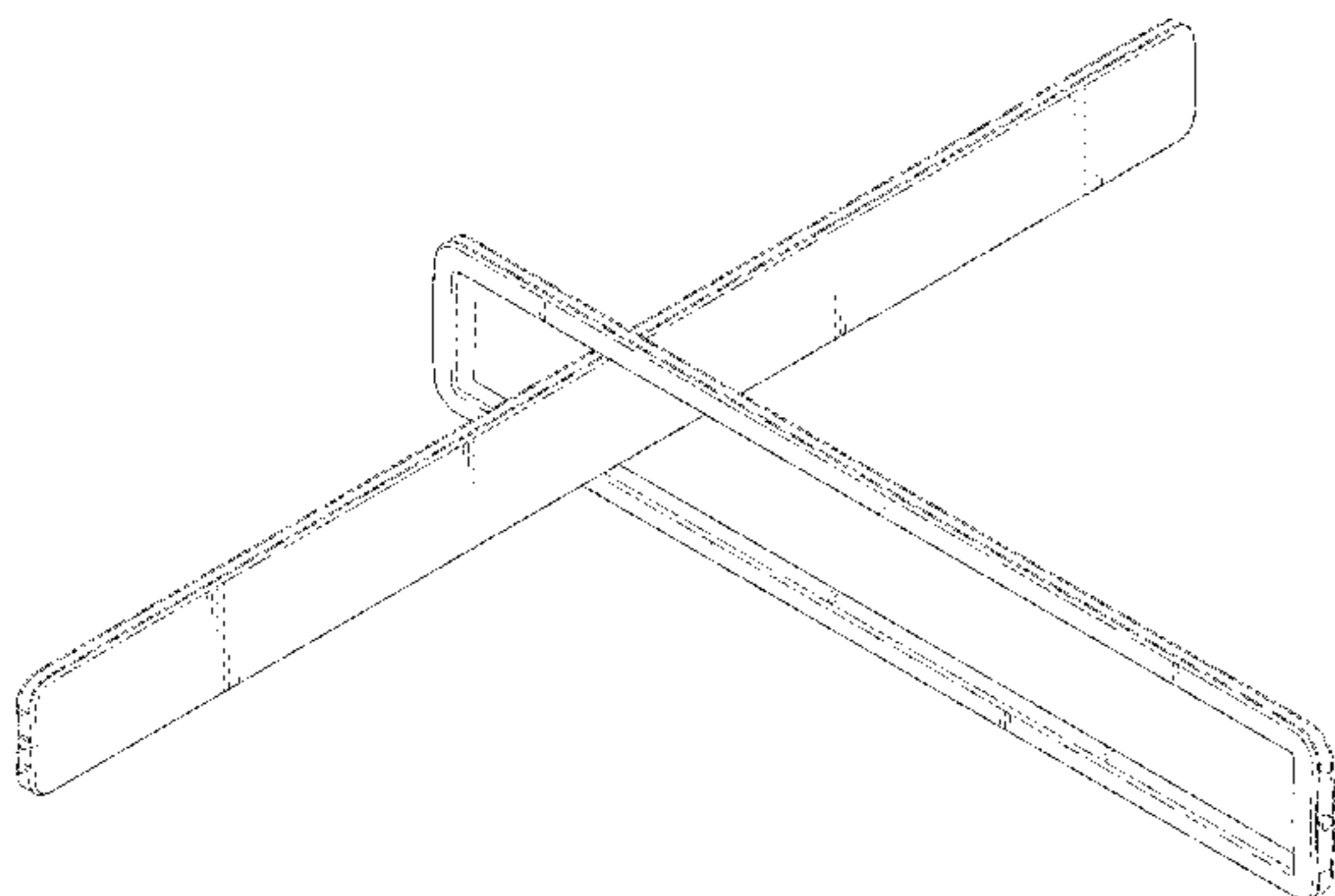


FIG. 1

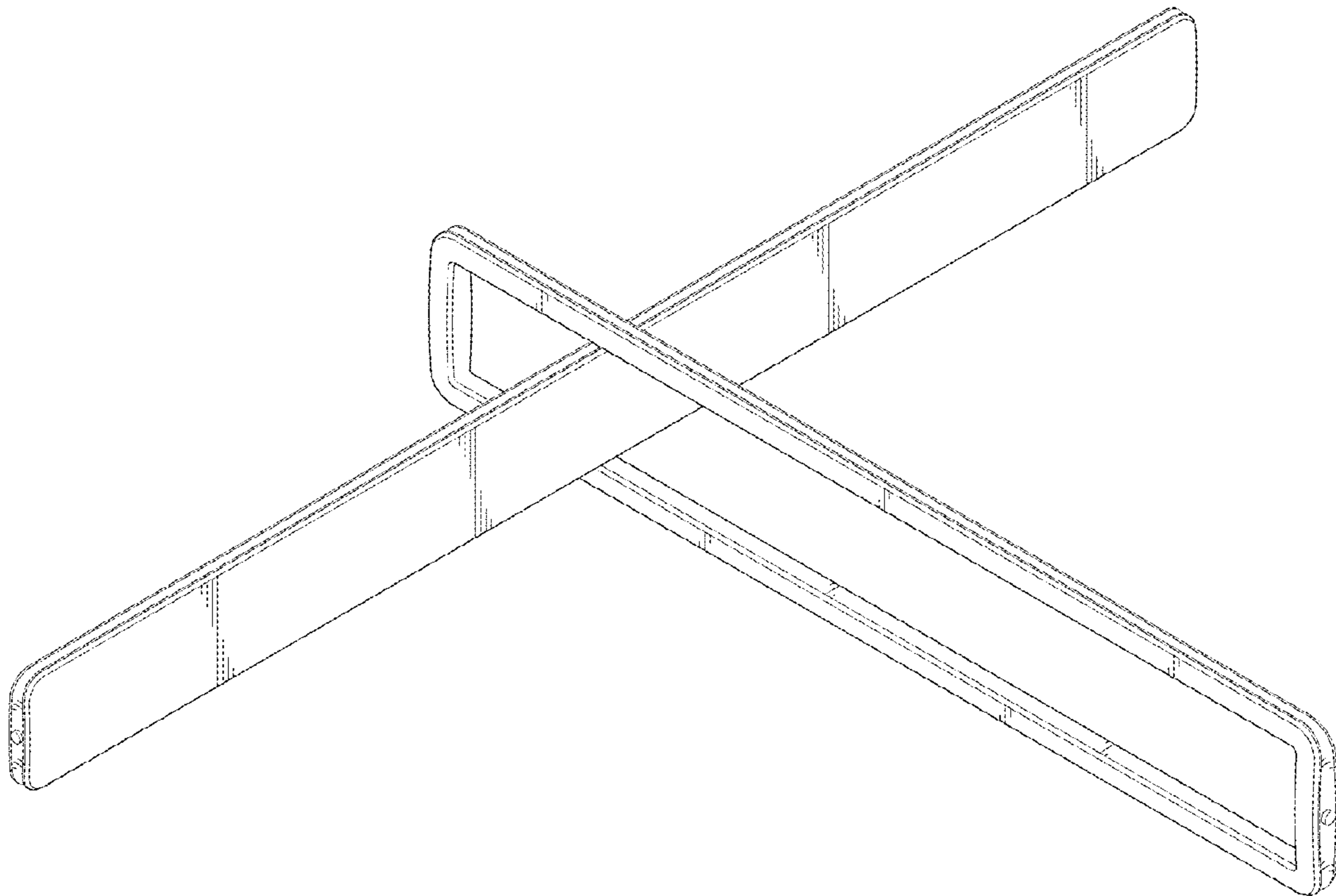


FIG. 2

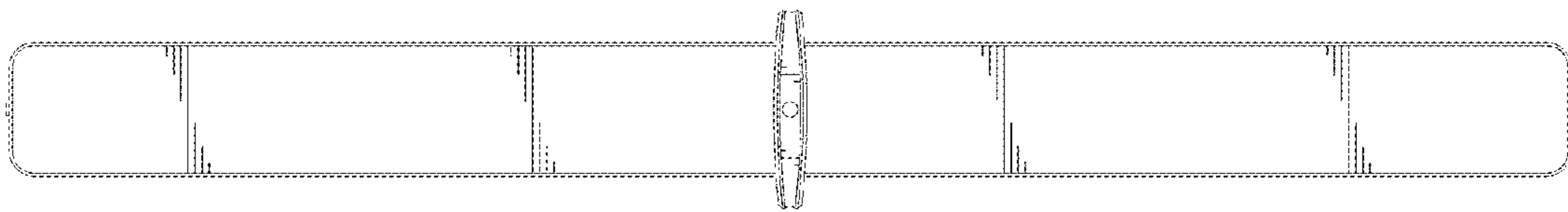


FIG. 3

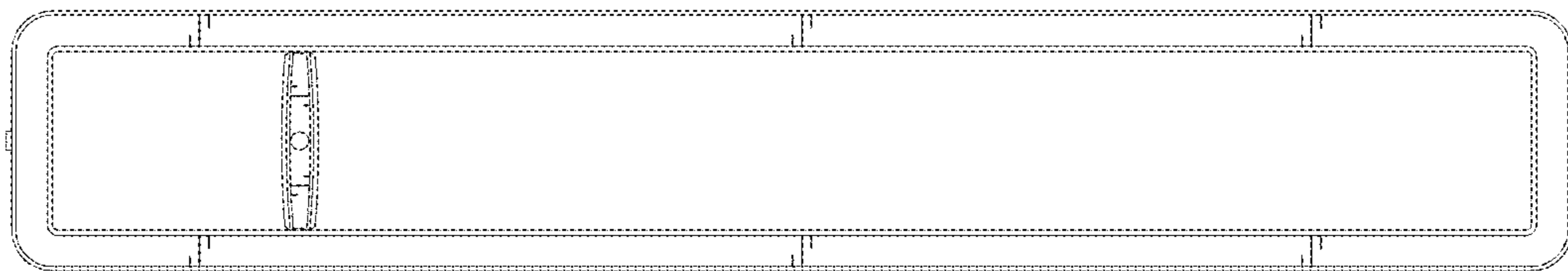


FIG. 4

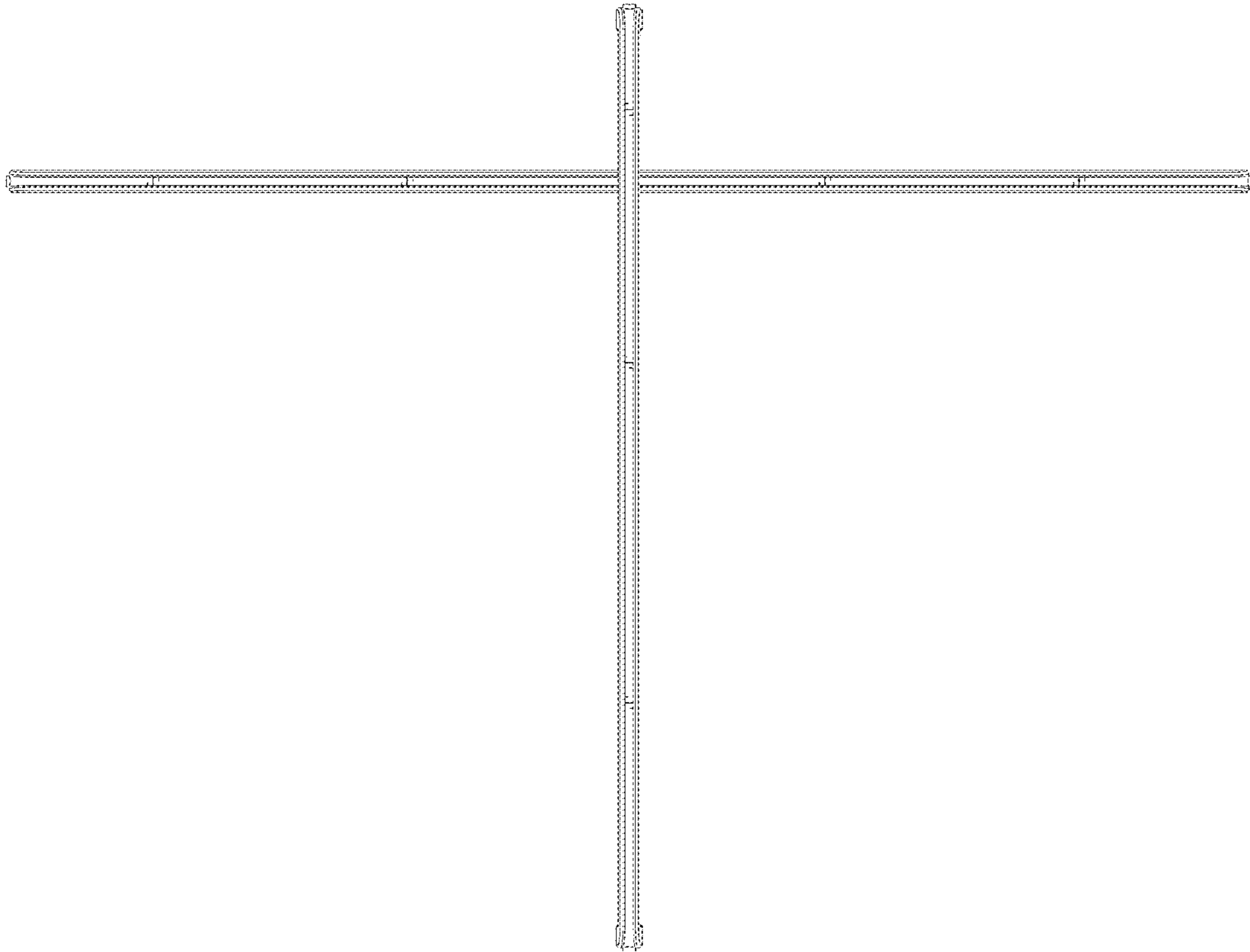


FIG. 5

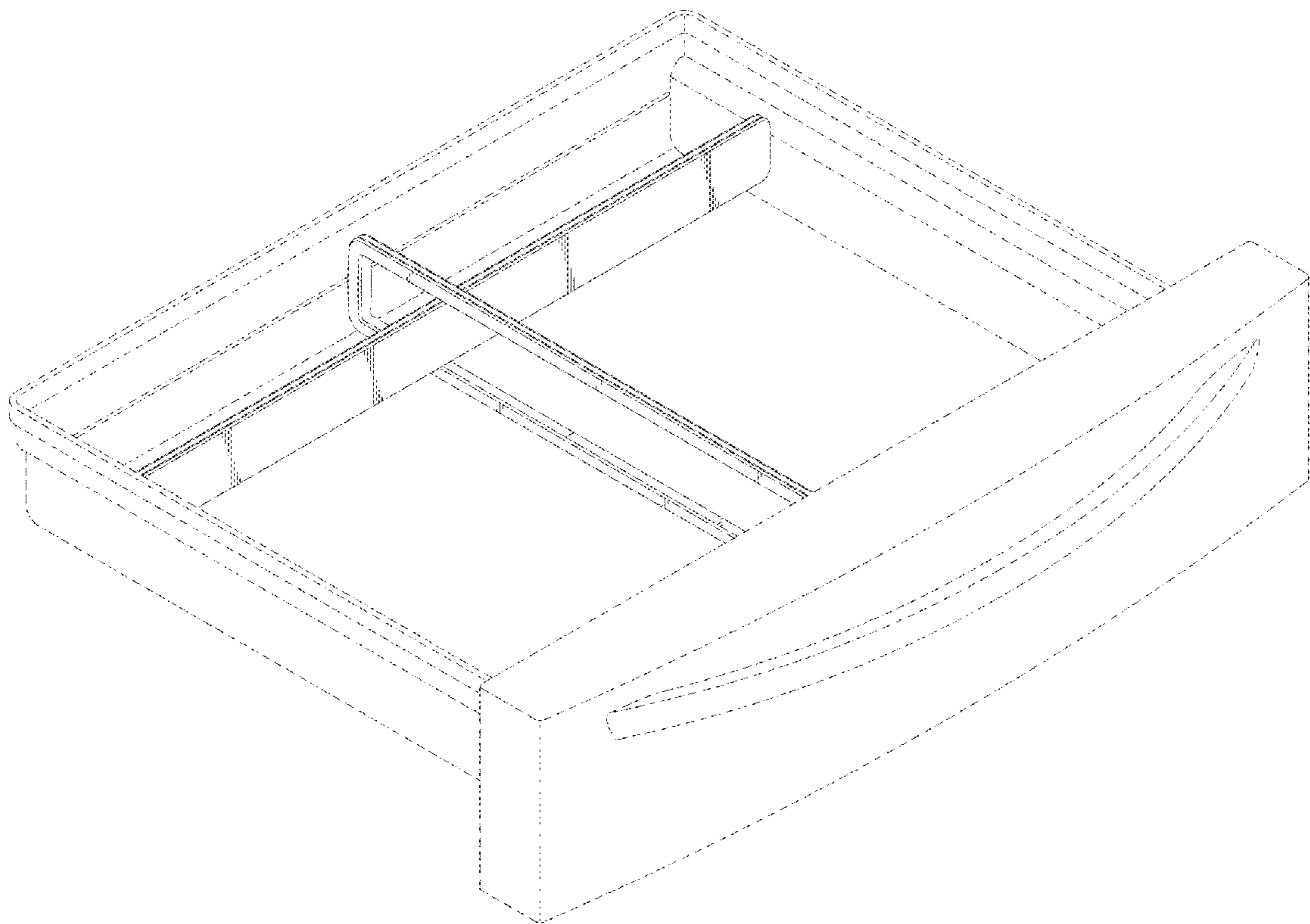


FIG. 6

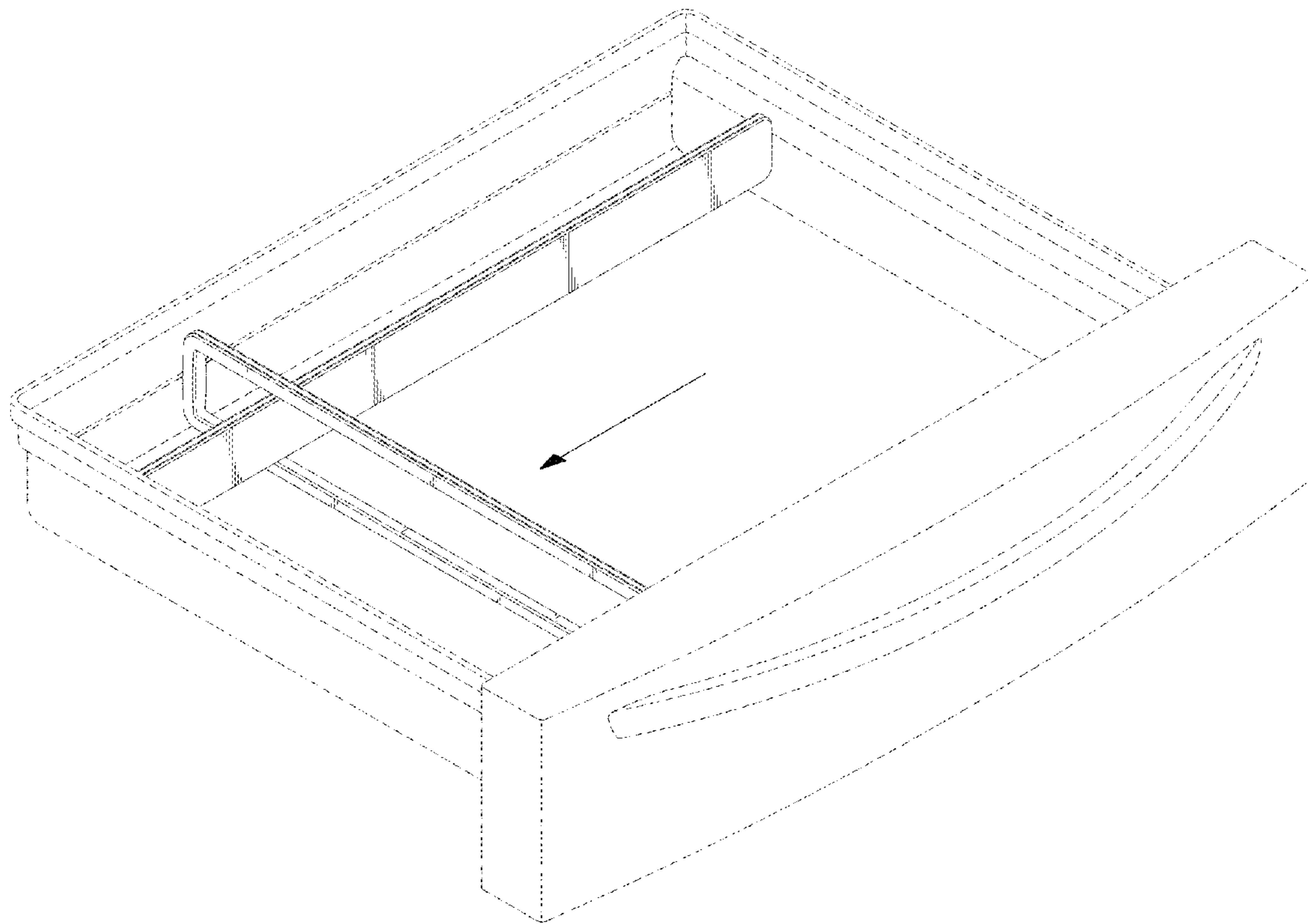


FIG. 7

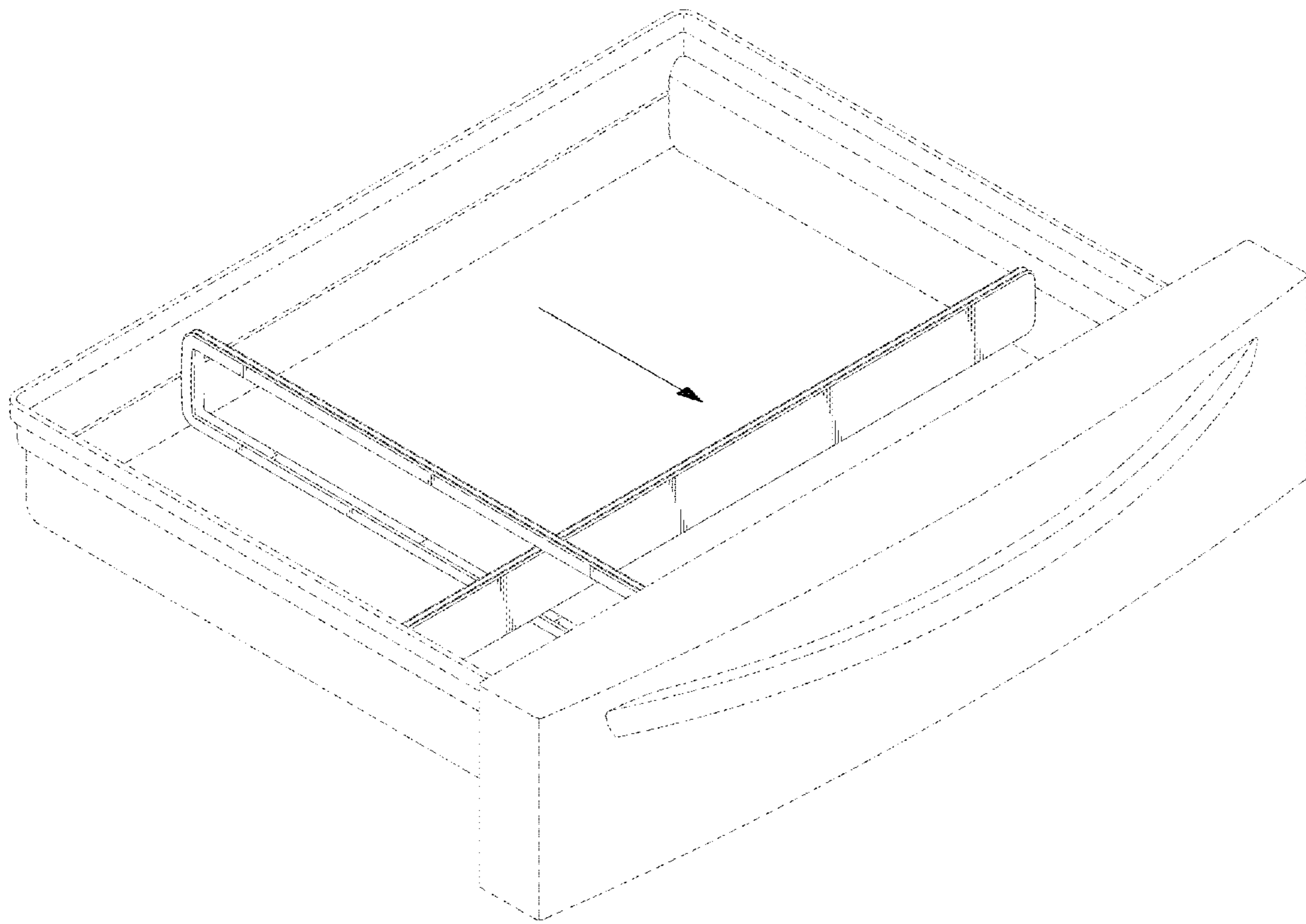


FIG. 8

