



US00D731558S

(12) **United States Design Patent**
Chen

(10) **Patent No.:** **US D731,558 S**
(45) **Date of Patent:** **** Jun. 9, 2015**

(54) **AIR COMPRESSOR CYLINDER HOUSING**

(71) Applicant: **Chun Lan Chen**, Xingling (CN)

(72) Inventor: **Chun Lan Chen**, Xingling (CN)

(**) Term: **14 Years**

(21) Appl. No.: **29/496,555**

(22) Filed: **Jul. 15, 2014**

(51) **LOC (10) Cl.** **15-02**

(52) **U.S. Cl.**
USPC **D15/9**

(58) **Field of Classification Search**
USPC D15/7-9; D23/231, 232, 225; 417/60,
417/235, 265, 321, 355, 358, 363, 359,
417/410.1, 415-416, 405, 900; 60/408,
60/412; 184/26-37; 415/140-147, 108,
415/915; 123/495, 509
CPC F04B 53/00; F04B 1/12; F04B 39/00;
F04B 11/00; F04B 1/26
See application file for complete search history.

(56) **References Cited**

U.S. PATENT DOCUMENTS

D530,345 S * 10/2006 Chu D15/9
D574,856 S * 8/2008 Chu D15/9
D656,161 S * 3/2012 Nam et al. D15/9

D704,231 S * 5/2014 Chen D15/9
D714,832 S * 10/2014 Chen D15/9
D714,834 S * 10/2014 Chen D15/9

* cited by examiner

Primary Examiner — Ralf Seifert

(74) *Attorney, Agent, or Firm* — Charles E. Baxley

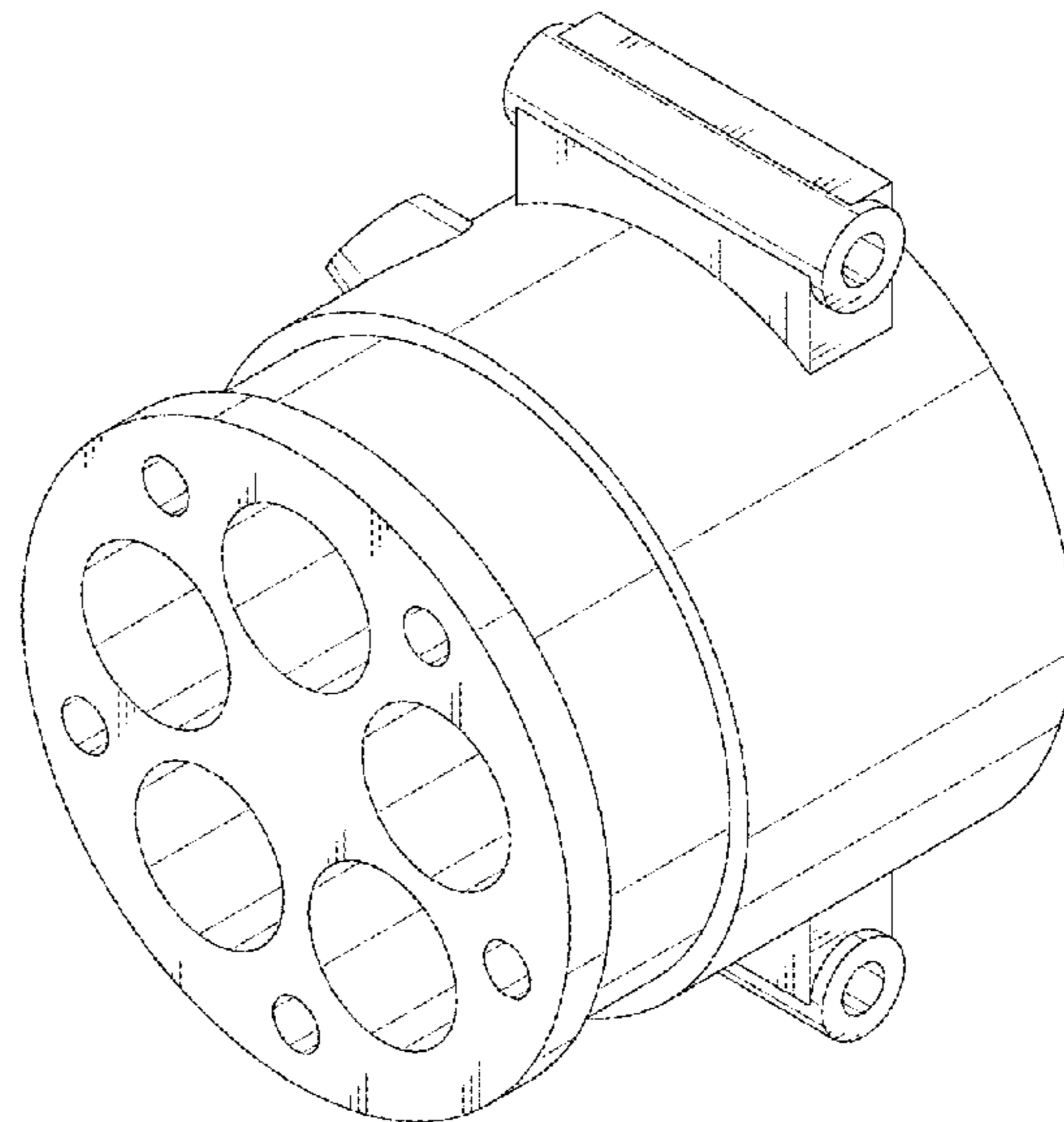
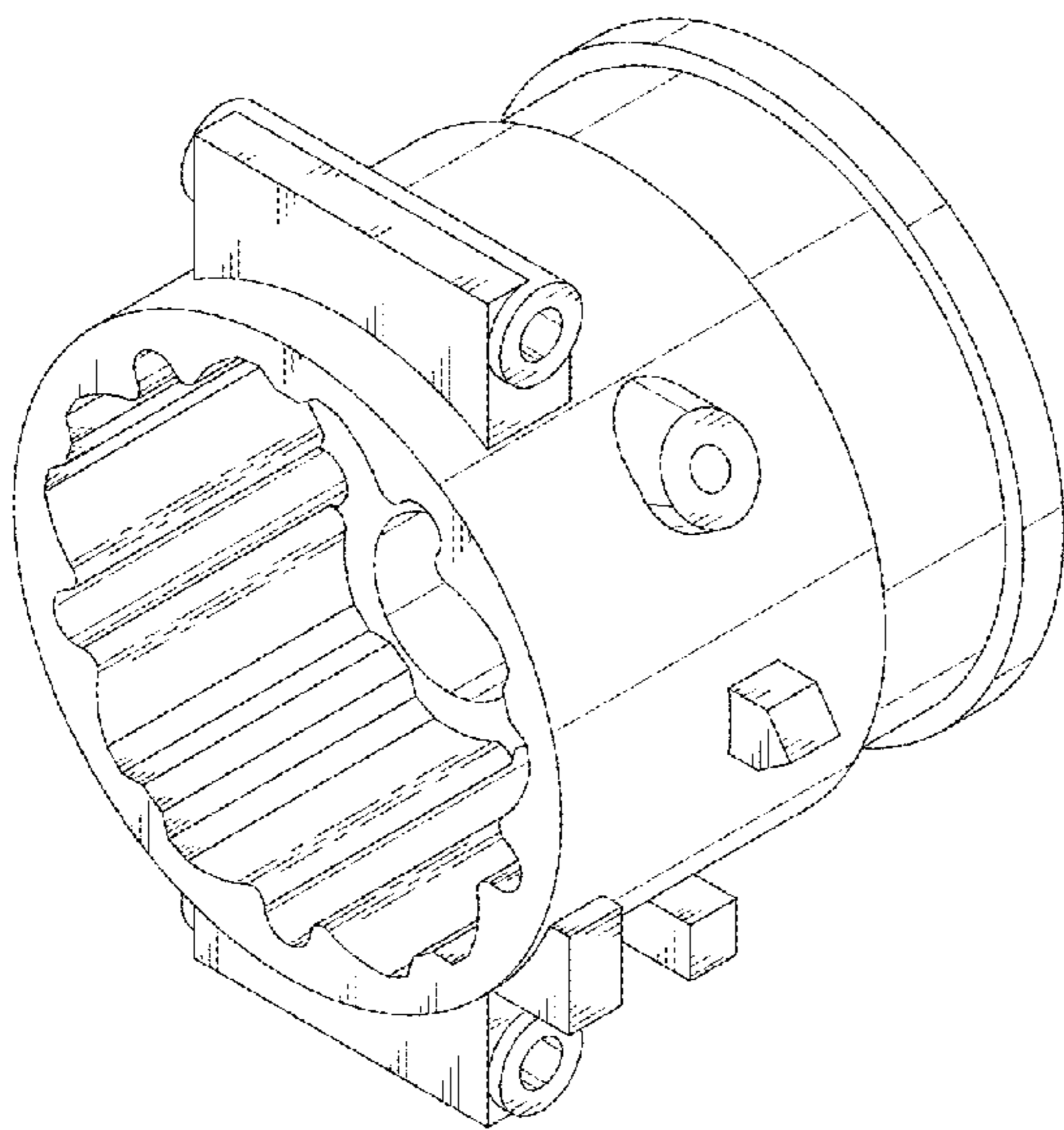
(57) **CLAIM**

The ornamental design for an air compressor cylinder housing, as shown and described.

DESCRIPTION

FIG. 1 is a front and upper perspective view of an air compressor cylinder housing showing my new design; FIG. 2 is a front elevational view thereof; FIG. 3 is a rear elevational view thereof; FIG. 4 is a top plan view thereof; FIG. 5 is a bottom plan view thereof; FIG. 6 is a left side elevational view thereof; FIG. 7 is a right side elevational view thereof; FIG. 8 is a rear perspective view thereof; FIG. 9 is a front and bottom perspective view thereof; and, FIG. 10 is a front and upper perspective view thereof, the openings and the protrusions depicted by means of broken lines being for illustrative purposes only and forming no part of the claimed design.

1 Claim, 5 Drawing Sheets



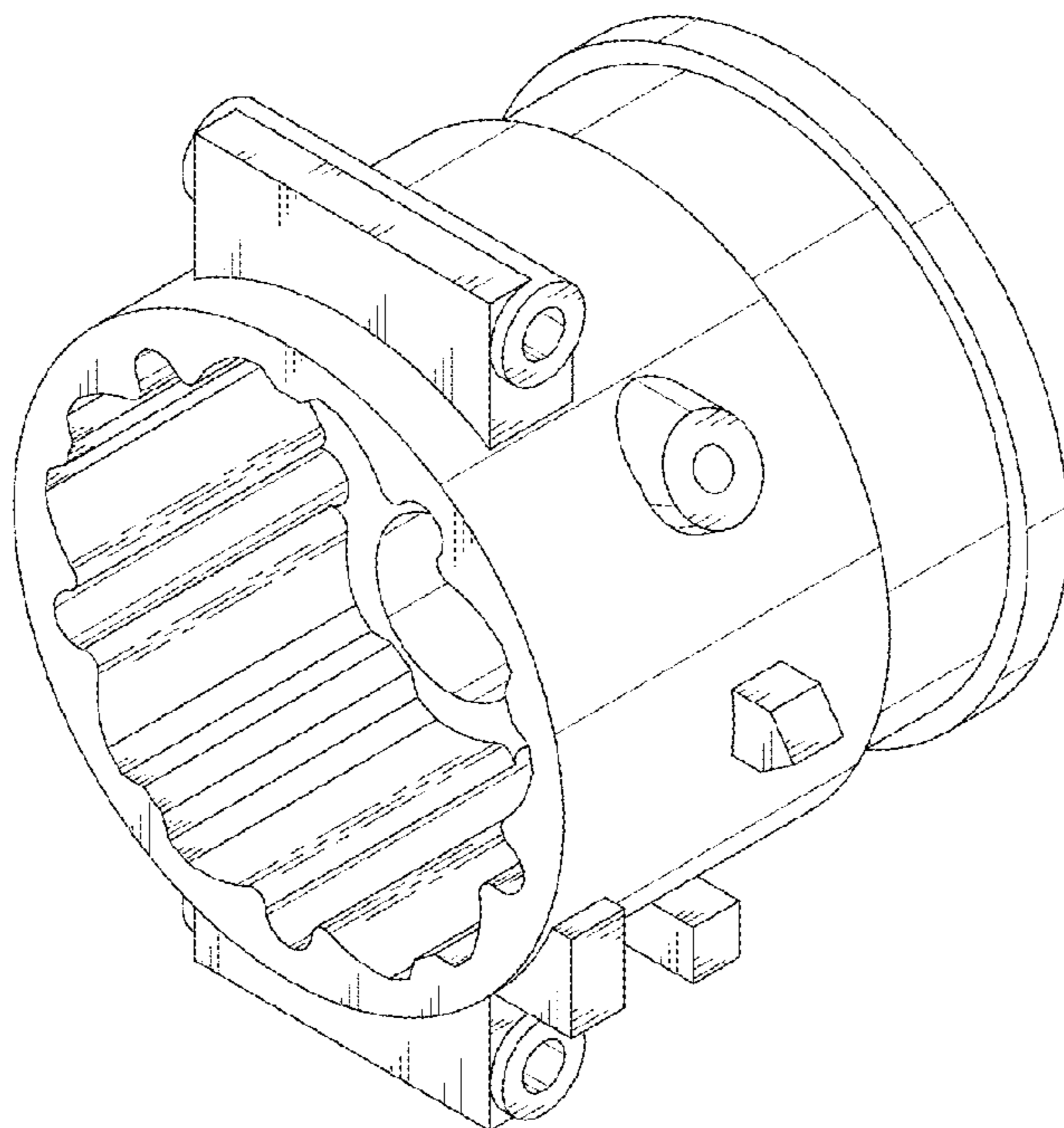


FIG. 1

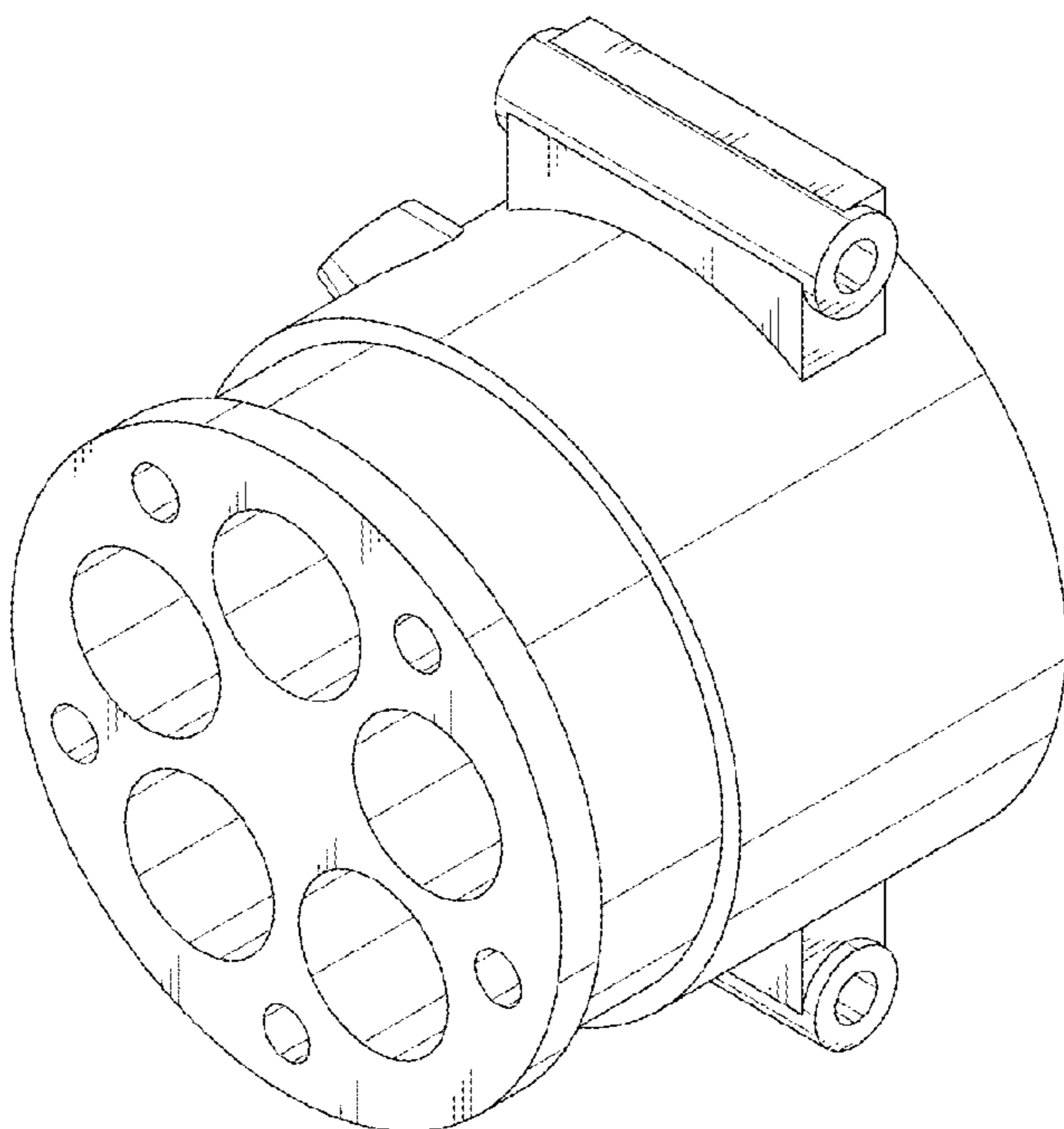


FIG. 8

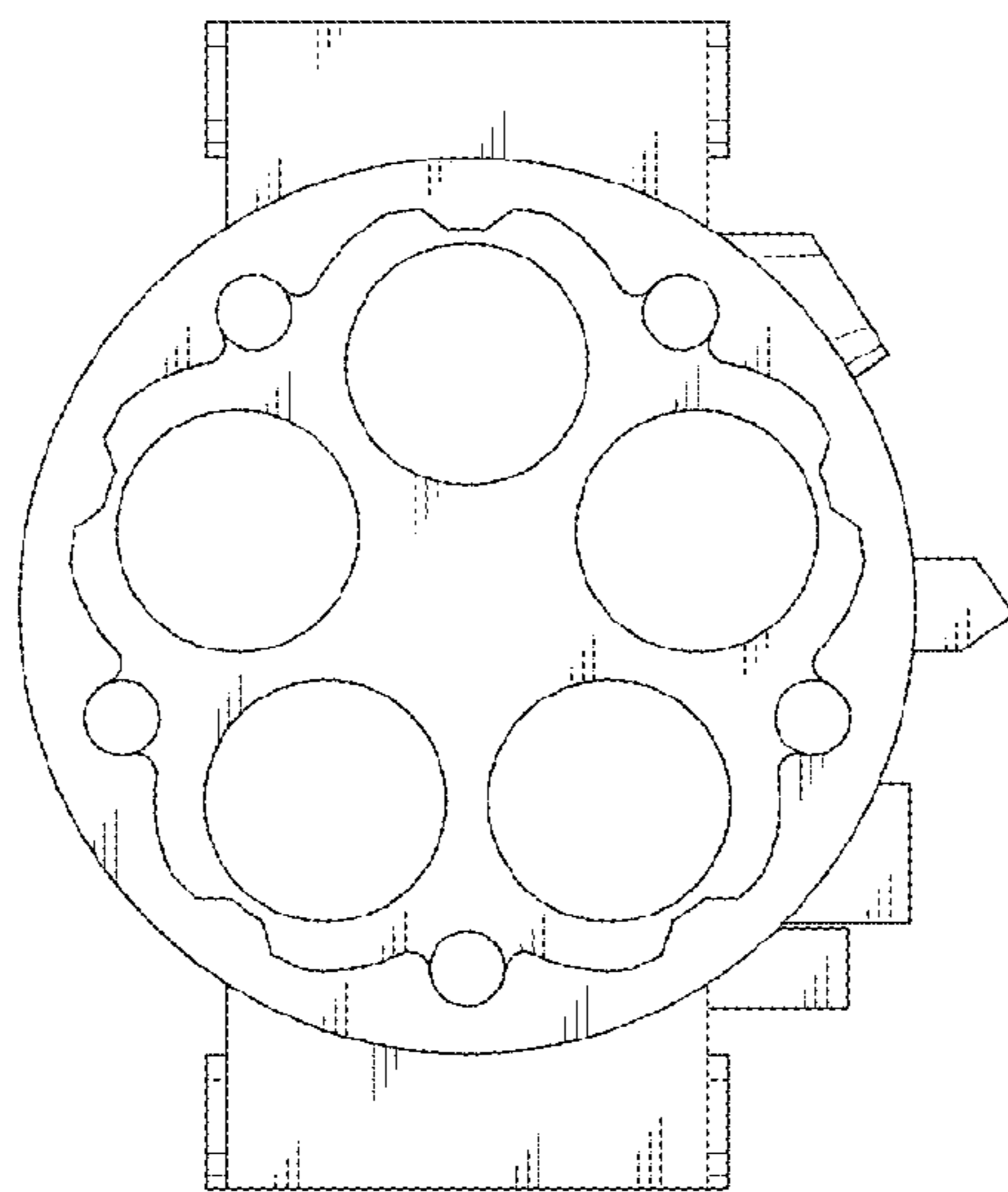


FIG. 2

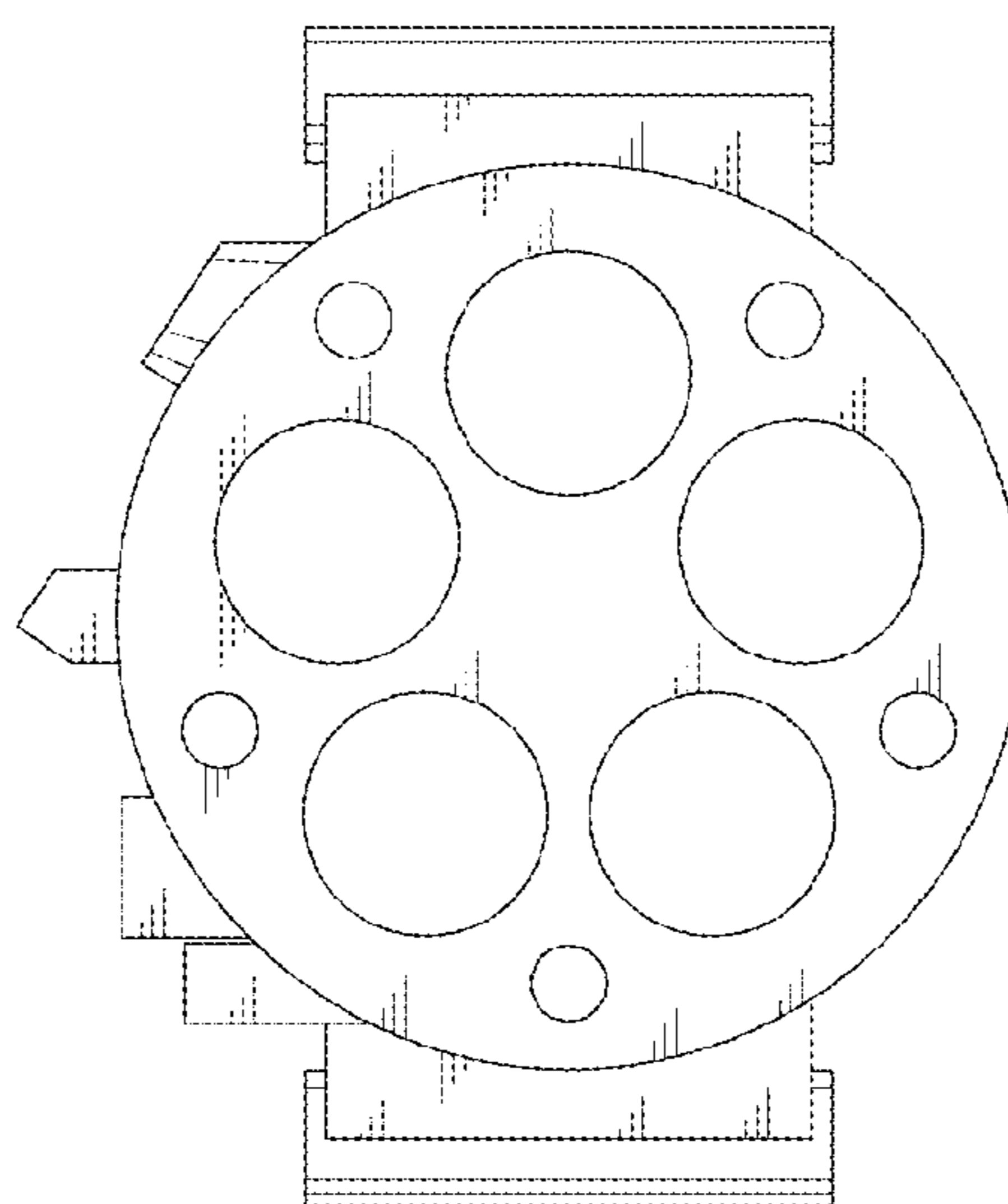


FIG. 3

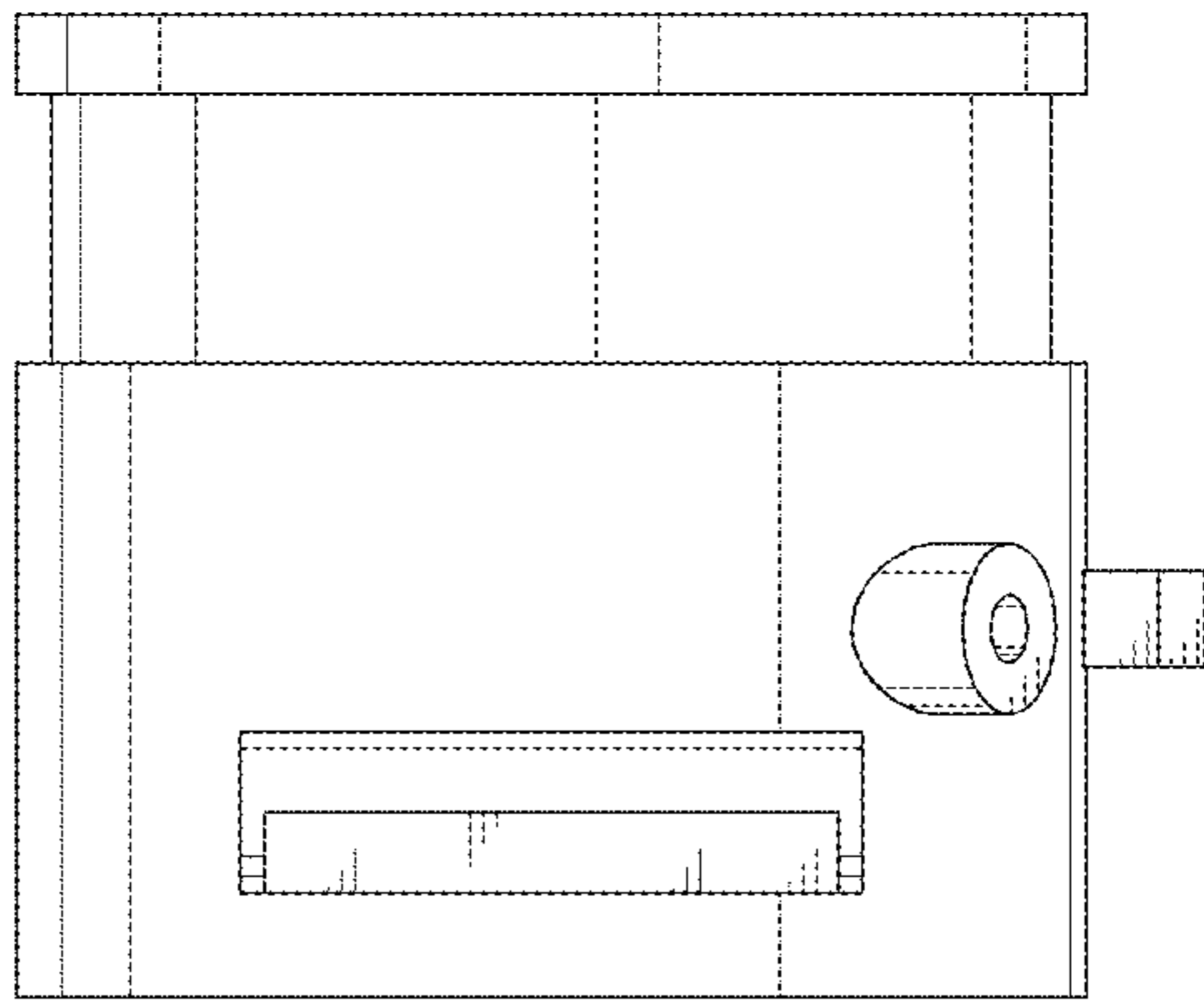


FIG. 4

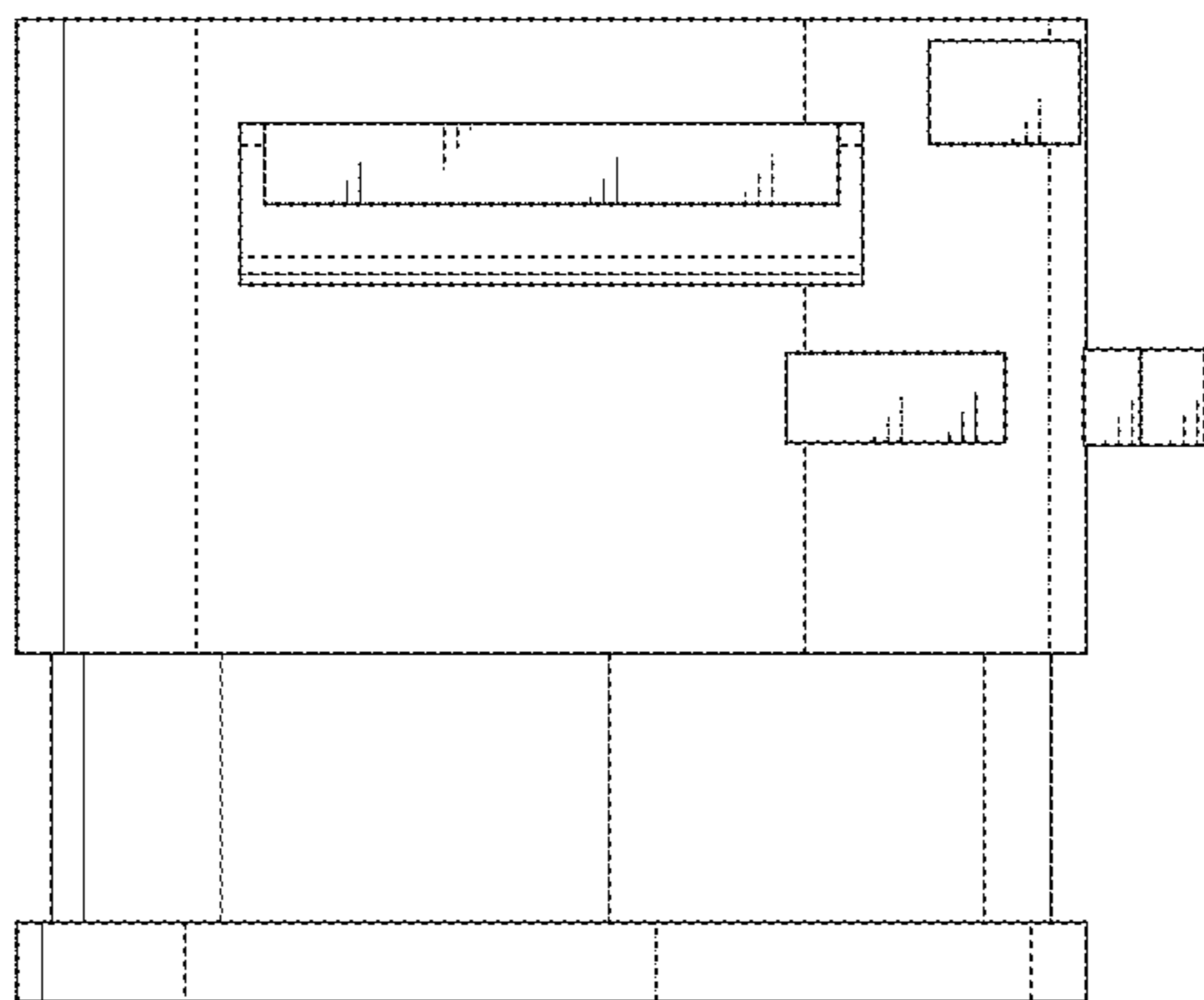


FIG. 5

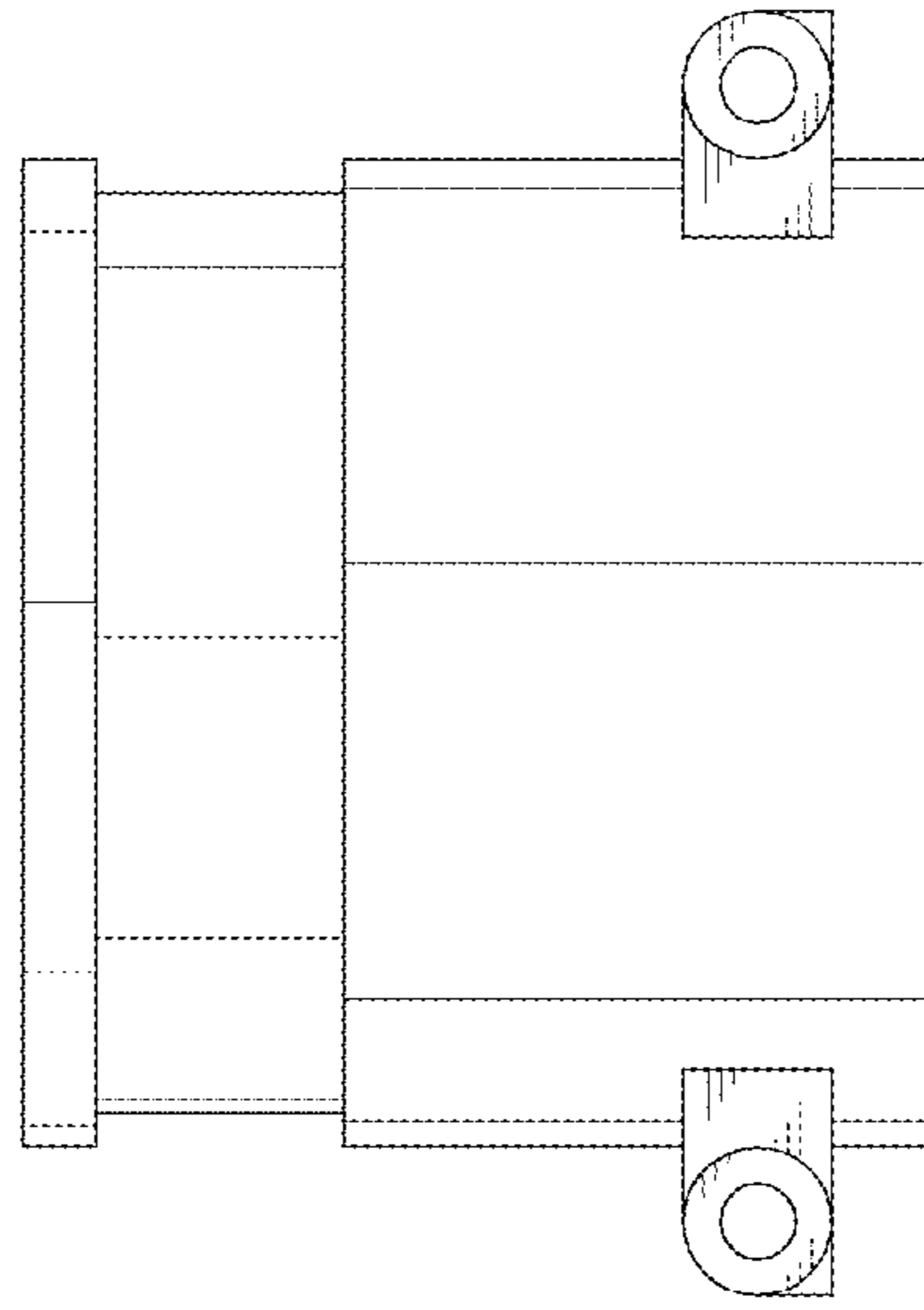


FIG. 6

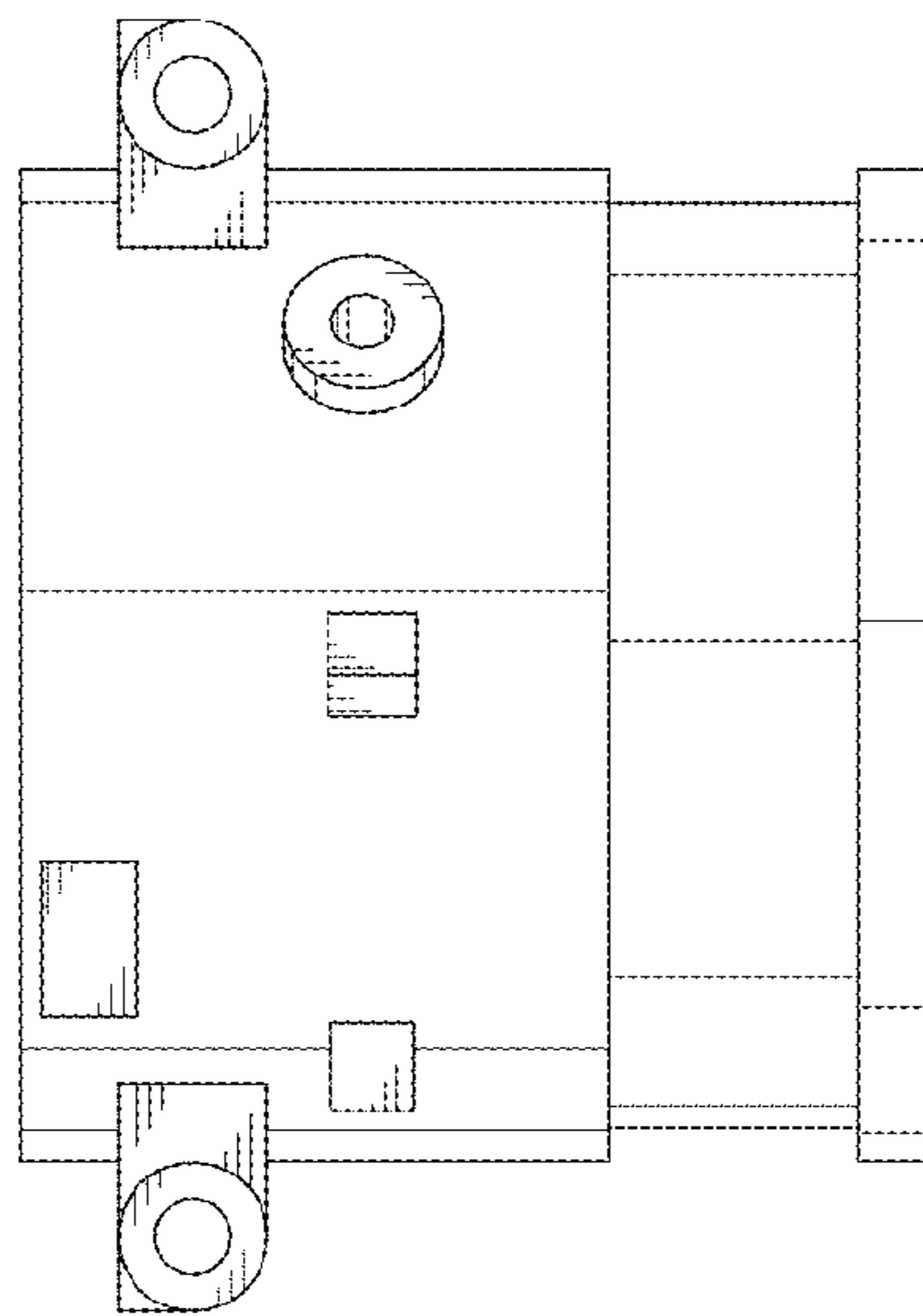


FIG. 7

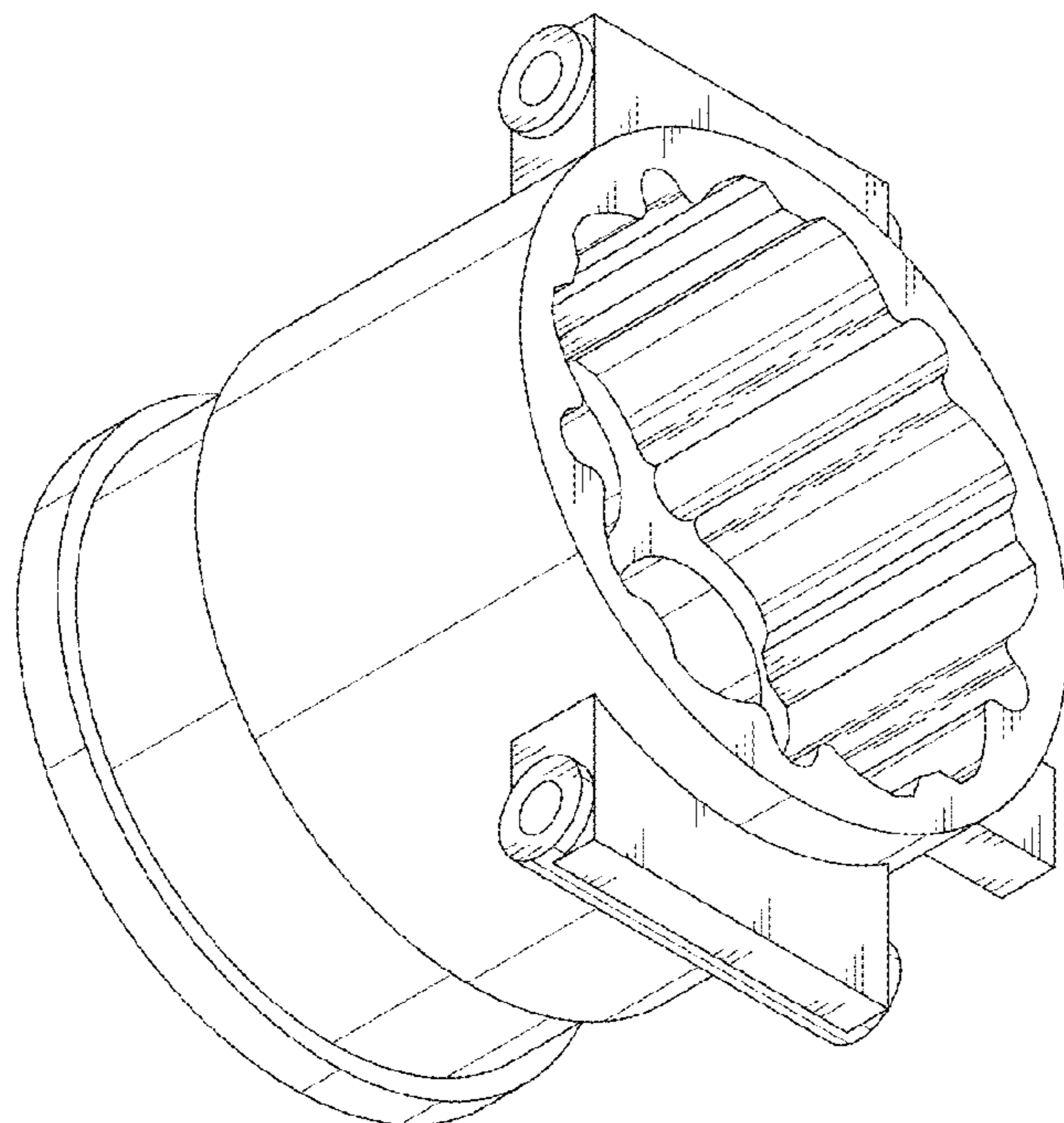


FIG. 9

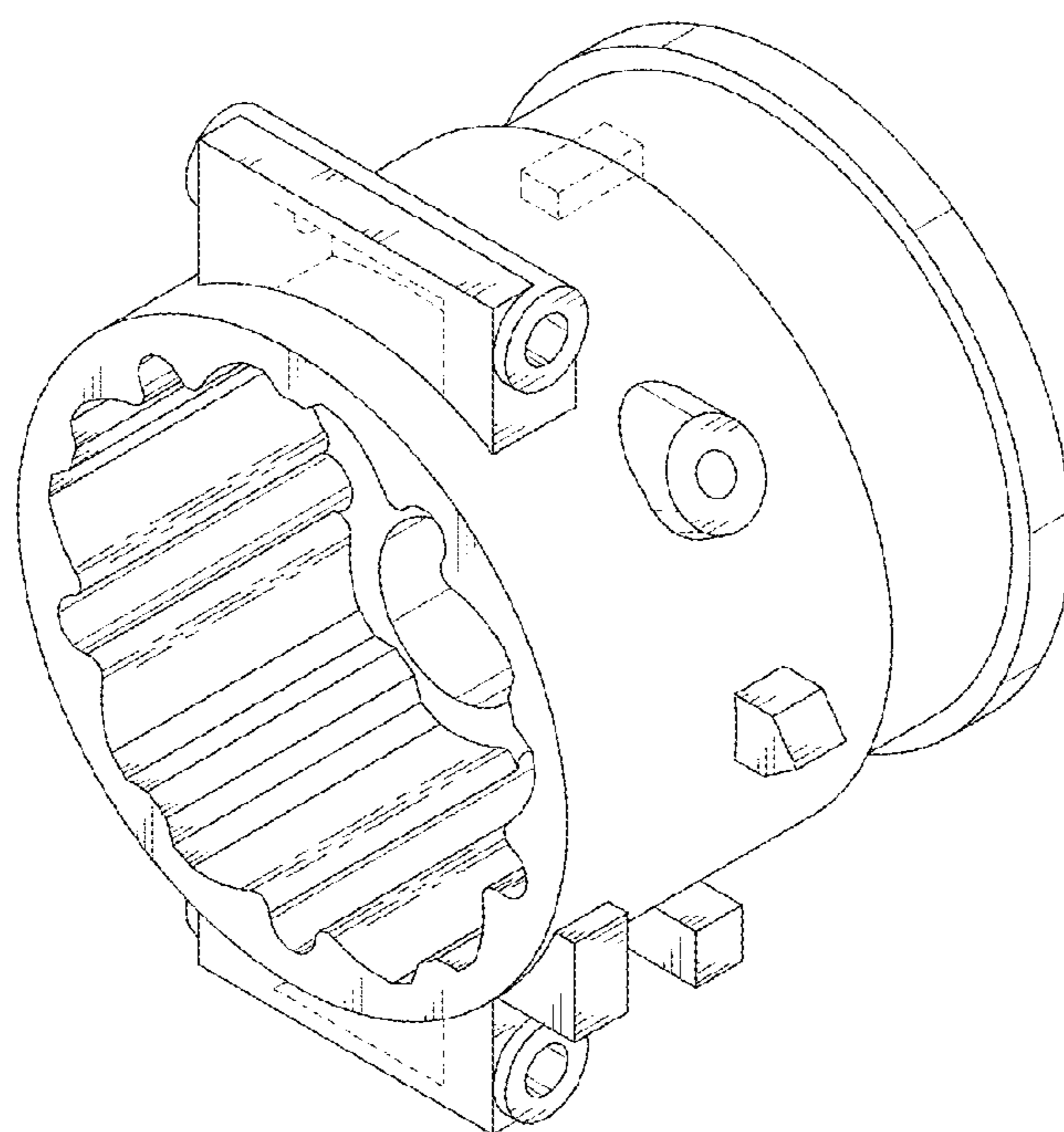


FIG. 10