



US00D731554S

(12) **United States Design Patent**
Turuvekere Gurudatt et al.

(10) **Patent No.:** **US D731,554 S**
(45) **Date of Patent:** **** Jun. 9, 2015**

(54) **EXHAUST MANIFOLD BRACKET**

7,134,282 B2 11/2006 Squires
2007/0262222 A1* 11/2007 Steigert et al. 248/300
2011/0277466 A1 11/2011 Danielewicz et al.
2012/0255528 A1 10/2012 Gunkel et al.

(71) Applicant: **General Electric Company,**
Schenectady, NY (US)

FOREIGN PATENT DOCUMENTS

(72) Inventors: **Praveen Turuvekere Gurudatt,**
Bangalore (IN); **Raghavendra**
Kalingeri, Bangalore (IN)

CN 201679559 12/2010
EP 1273766 1/2003
EP 1273767 1/2003

(73) Assignee: **General Electric Company,**
Schenectady, NY (US)

* cited by examiner

(**) Term: **14 Years**

Primary Examiner — T. Chase Nelson

Assistant Examiner — Ania Aman

(21) Appl. No.: **29/486,911**

(74) *Attorney, Agent, or Firm* — GE Global Patent
Operation; John A. Kramer

(22) Filed: **Apr. 3, 2014**

(57) **CLAIM**

(51) **LOC (10) Cl.** **15-01**

The ornamental design for an exhaust manifold bracket, as
shown and described.

(52) **U.S. Cl.**

USPC **D15/4**

DESCRIPTION

(58) **Field of Classification Search**

USPC D15/1-6; 248/121, 200, 205.1, 300;
123/184.21; D8/354

See application file for complete search history.

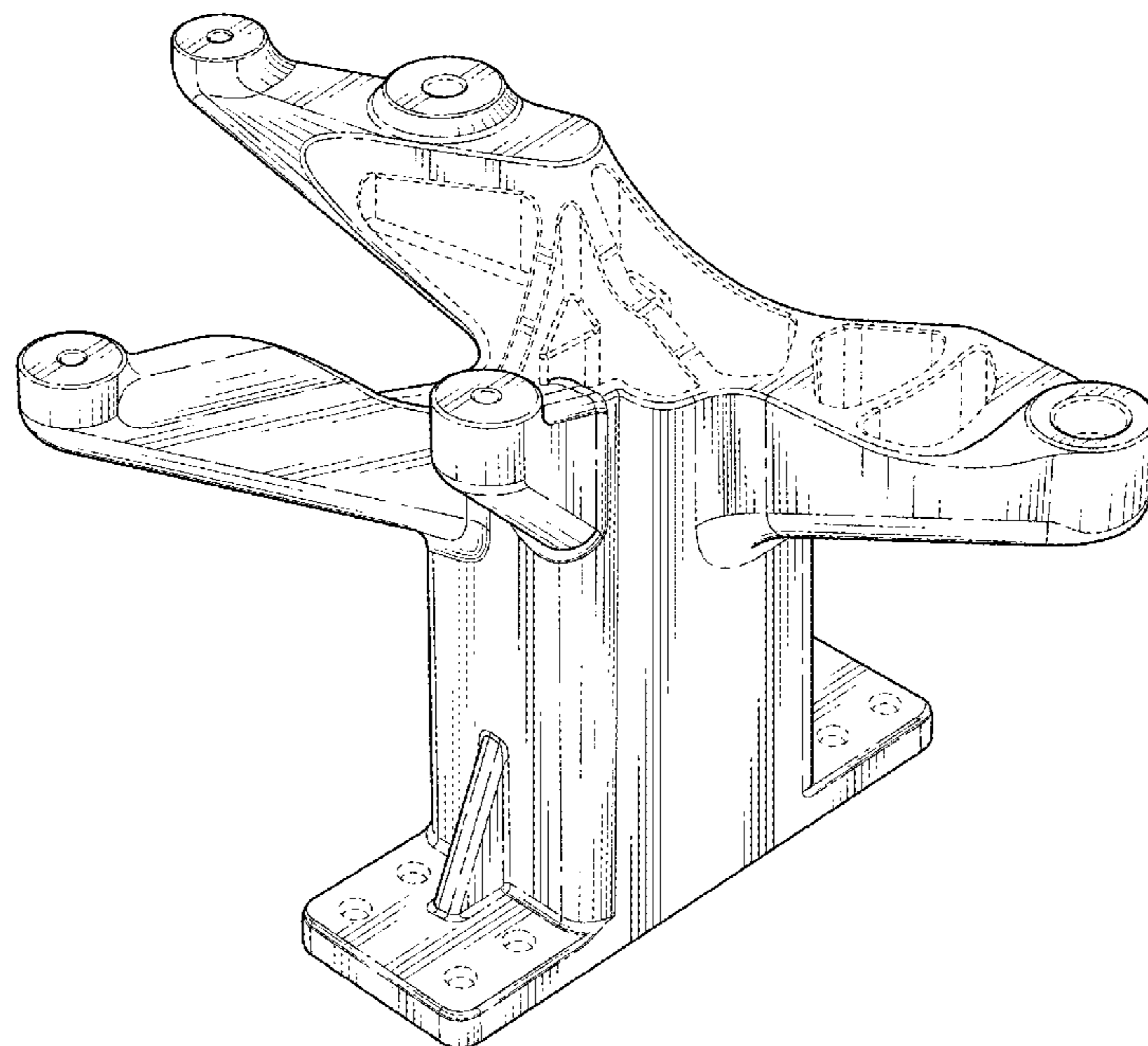
(56) **References Cited**

U.S. PATENT DOCUMENTS

4,503,680 A 3/1985 Wood
5,261,237 A 11/1993 Benson
5,269,650 A 12/1993 Benson
5,406,791 A 4/1995 Bauer
D362,384 S * 9/1995 Middlebrook D8/354
6,101,995 A 8/2000 Itoh et al.

FIG. 1 is a perspective view of an exhaust manifold bracket
showing our new design;
FIG. 2 is a left side elevational view thereof;
FIG. 3 is right side elevational view thereof
FIG. 4 is front elevational view thereof;
FIG. 5 is a rear elevational view thereof;
FIG. 6 is a top plan view thereof; and,
FIG. 7 is a bottom plan view thereof.
The broken line portion of the figures is included to show
unclaimed subject matter only and forms no part of the
claimed design.

1 Claim, 4 Drawing Sheets



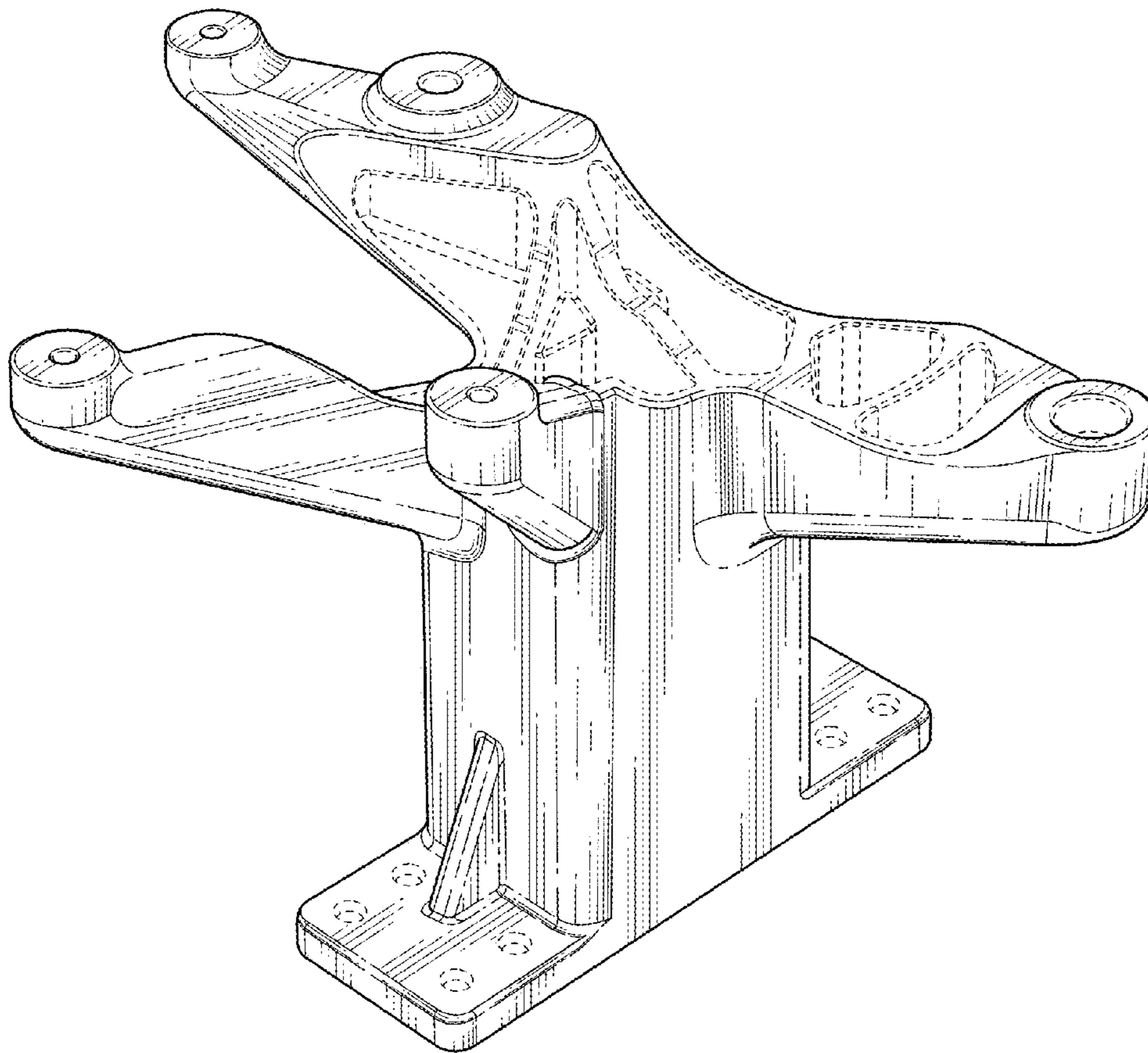


FIG. 1

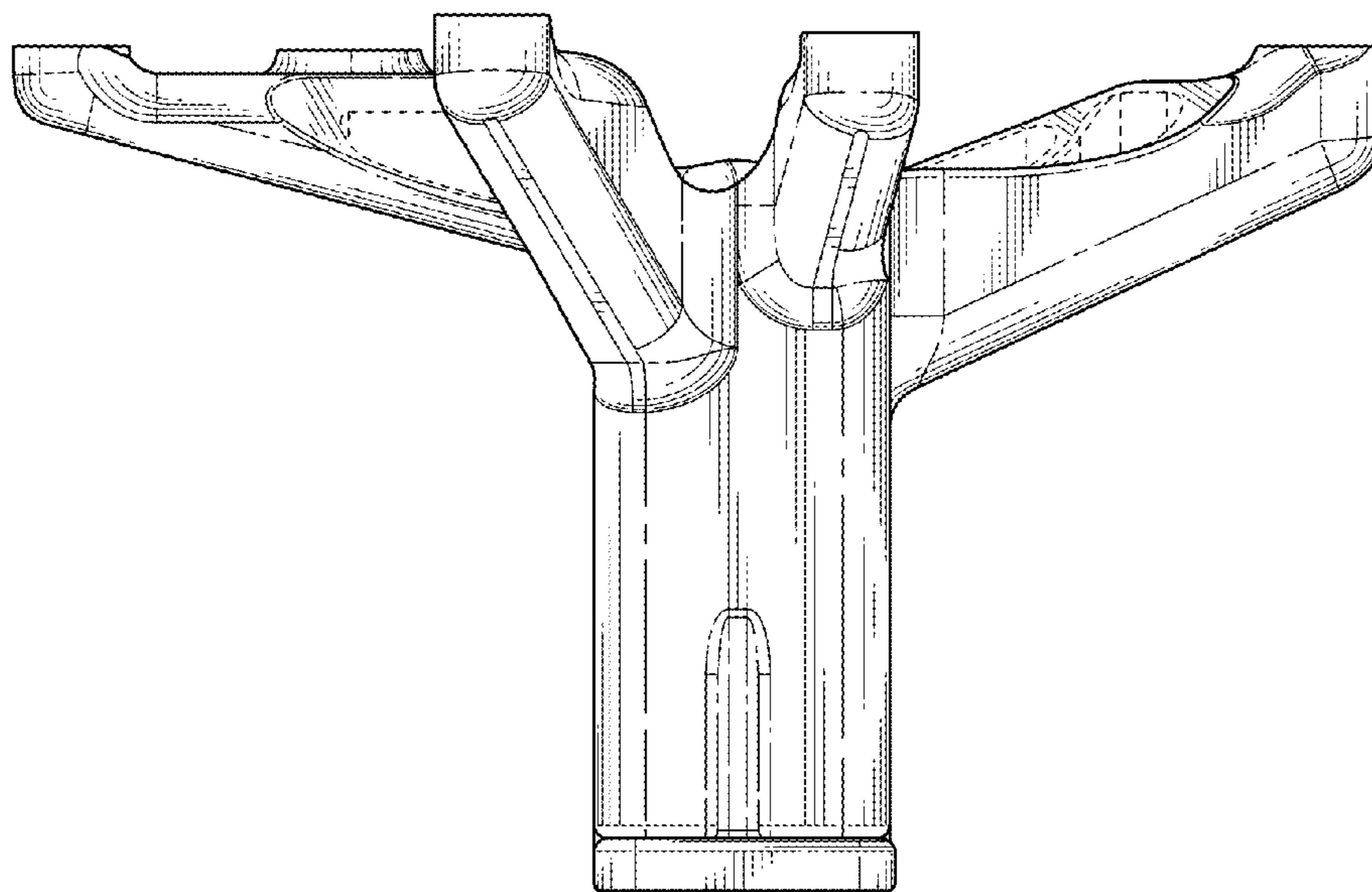


FIG. 2

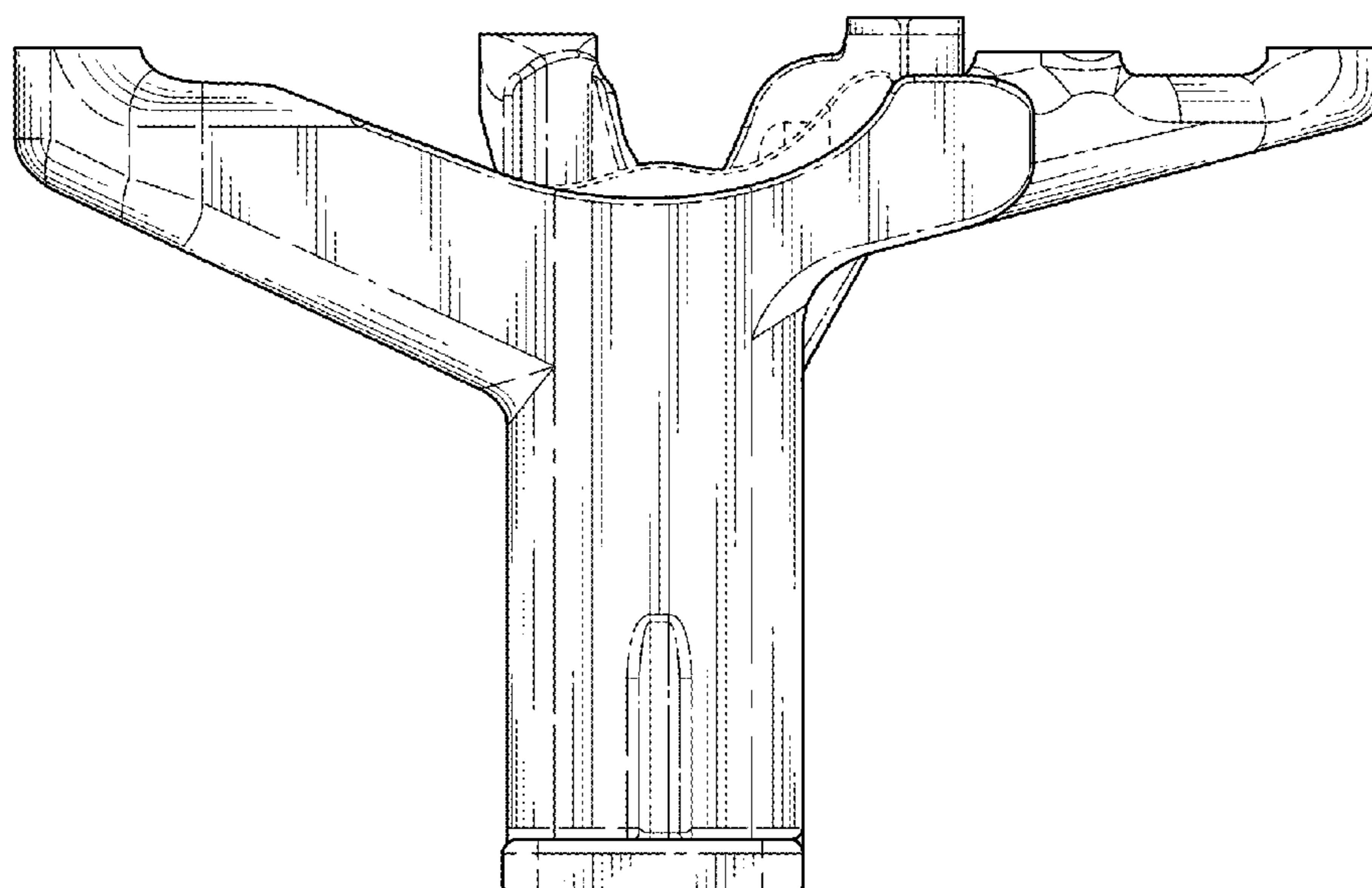


FIG. 3

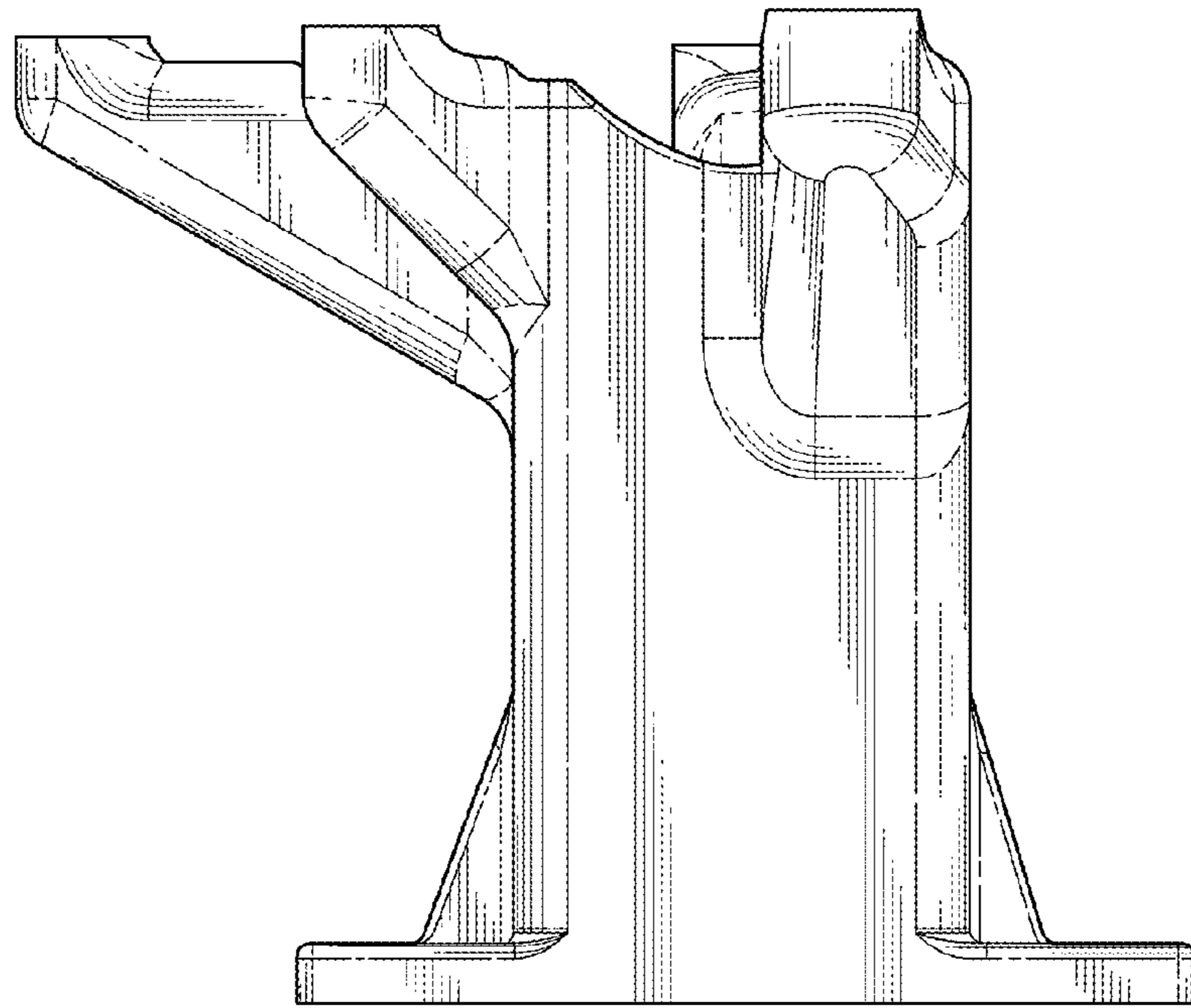


FIG. 4

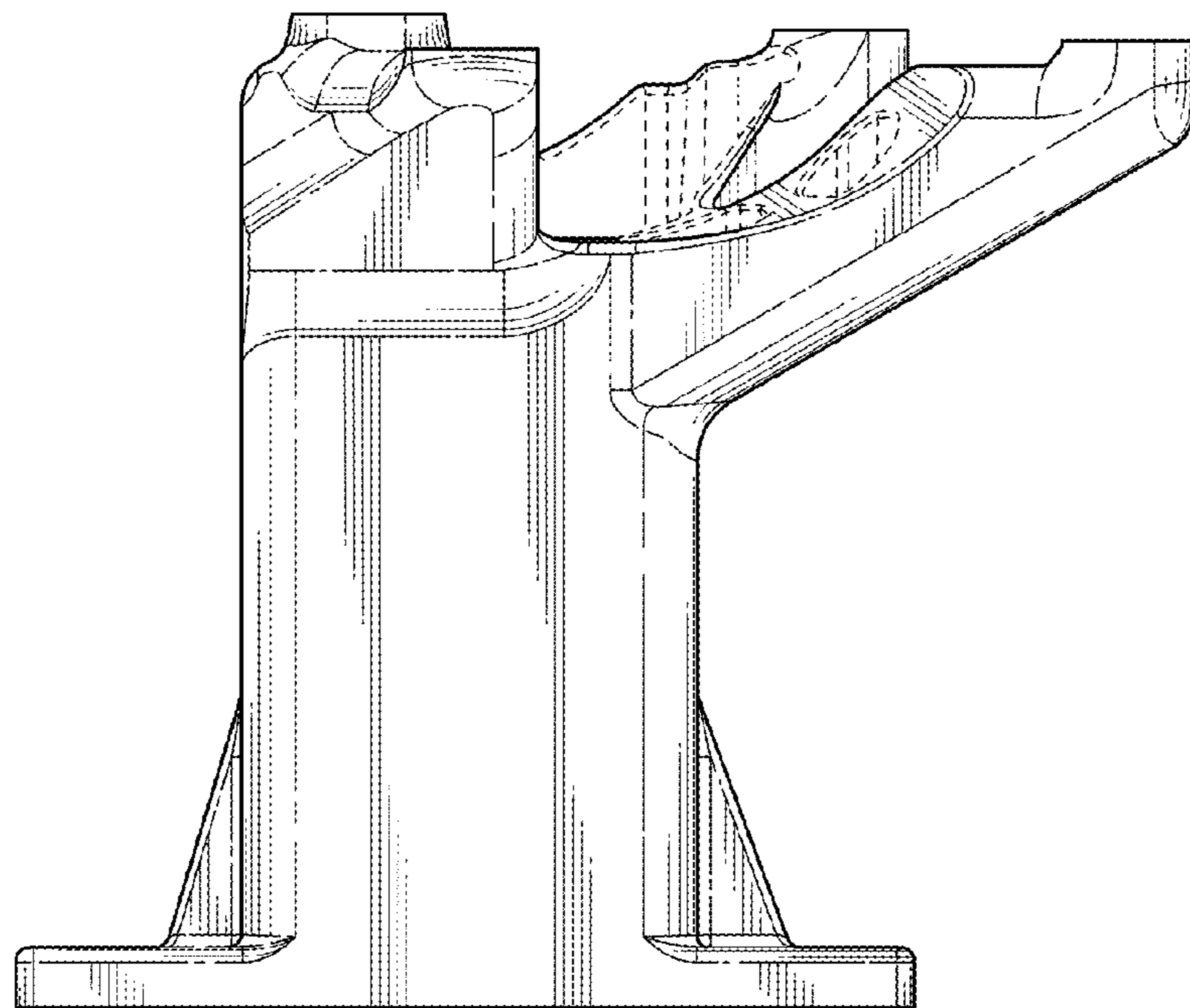


FIG. 5

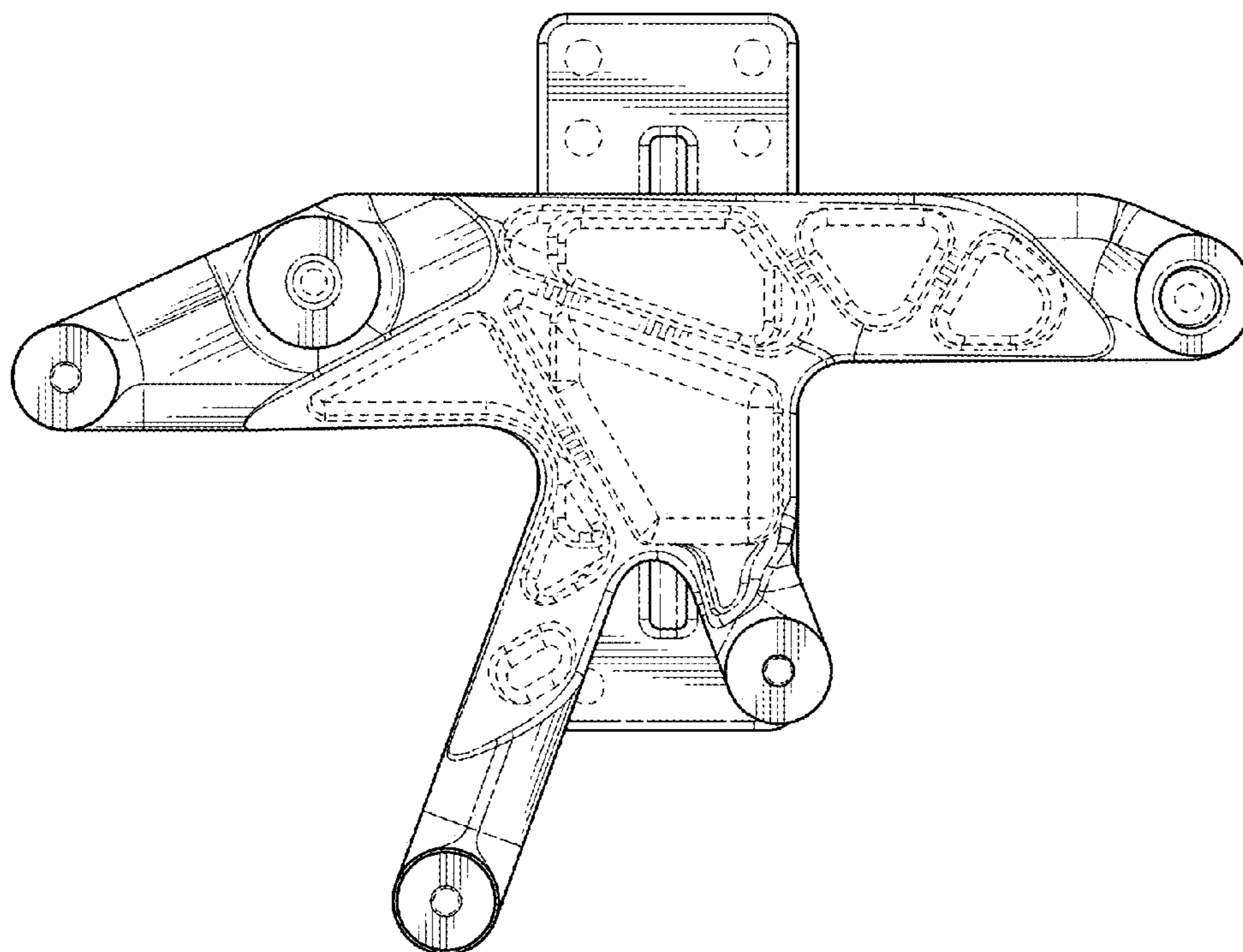


FIG. 6

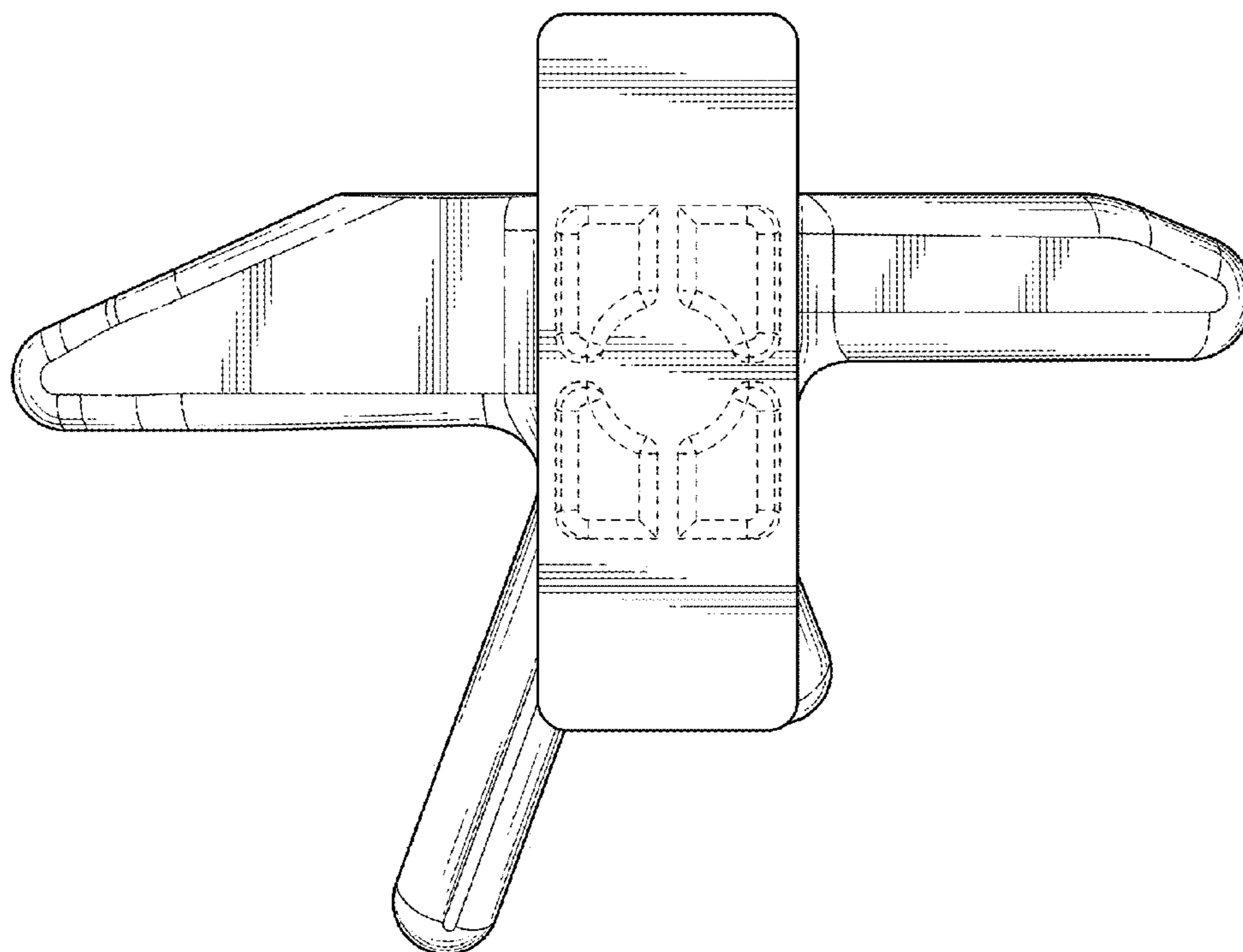


FIG. 7