



US00D731501S

(12) **United States Design Patent**  
**Tseng et al.**

(10) **Patent No.:** **US D731,501 S**  
(45) **Date of Patent:** **\*\* Jun. 9, 2015**

(54) **DISPLAY**

- (71) Applicant: **Hewlett-Packard Development Company, L.P.**, Houston, TX (US)
- (72) Inventors: **In Shr Tseng**, San Mateo, CA (US);  
**Glenn A. Wong**, Redwood City, CA (US)
- (73) Assignee: **Hewlett-Packard Development Company, L.P.**, Houston, TX (US)
- (\*\*) Term: **14 Years**
- (21) Appl. No.: **29/467,823**
- (22) Filed: **Sep. 24, 2013**
- (51) **LOC (10) Cl.** ..... **08-07**
- (52) **U.S. Cl.**  
USPC ..... **D14/451**
- (58) **Field of Classification Search**  
USPC ..... D14/371–382, 125–129, 336, 337,  
D14/447–452, 492, 335, 376–382, 239, 457,  
D14/439–441, 432, 251–253; D8/349, 354,  
D8/363, 373, 376, 380; 348/180, 184, 325,  
348/739, 825; D12/407, 415; D3/218  
CPC ..... G06F 3/0412; G06F 3/016; G06F 3/0488;  
G06F 3/011; G06F 3/038; G06F 3/03543;  
G06F 3/0338; G06F 3/0202; G06F 3/0219;  
G06F 3/0213; G06F 1/1616; G06F 3/023;  
G06F 3/04883; G02F 1/13338; G02F 1/1313;  
G02F 1/1333; G02F 1/135; G02F 1/132;  
G02F 1/133308; G02F 1/134309; G02F  
1/13718; G09G 3/3648; G06K 15/1252;  
B41J 2/465; G03F 7/70291; G02B 27/0172;  
G02B 5/30; G02B 2027/0118; G02B 27/0101;  
F16M 13/02; F16M 13/00; F16M 11/10;  
F16M 11/04; F16M 2200/08; F16M 11/2021;  
A47B 21/0314; A47B 88/044; A47B  
2021/0335; H02G 3/126; F16B 47/00; F16B  
47/006; A47G 1/17; A47K 2201/00  
See application file for complete search history.

(56) **References Cited**

U.S. PATENT DOCUMENTS

4,924,246	A *	5/1990	Yamada	.....	396/198
D375,298	S *	11/1996	Calfee	.....	D14/451
D461,817	S *	8/2002	Goto	.....	D14/451
D492,684	S *	7/2004	Ozolins et al.	.....	D14/374
D541,278	S *	4/2007	Hsu et al.	.....	D14/375
D600,696	S *	9/2009	Andre et al.	.....	D14/371
D671,532	S *	11/2012	Mochizuki et al.	.....	D14/239
D673,571	S *	1/2013	Akana et al.	.....	D14/447
D674,399	S *	1/2013	Welch et al.	.....	D14/455
D682,285	S *	5/2013	Skinner et al.	.....	D14/451
D683,141	S *	5/2013	Symons	.....	D6/310
D685,805	S *	7/2013	Lu et al.	.....	D14/451
D696,666	S *	12/2013	Drew et al.	.....	D14/375
D703,673	S *	4/2014	Kittlaus	.....	D14/447
D704,715	S *	5/2014	Bliven et al.	.....	D14/451
8,899,534	B2 *	12/2014	Chi et al.	.....	248/124.2
D720,758	S *	1/2015	Janz	.....	D14/447

\* cited by examiner

*Primary Examiner* — Deanna L Pratt

*Assistant Examiner* — Katie Mroccka

(74) *Attorney, Agent, or Firm* — Rathe Lindenbaum LLP

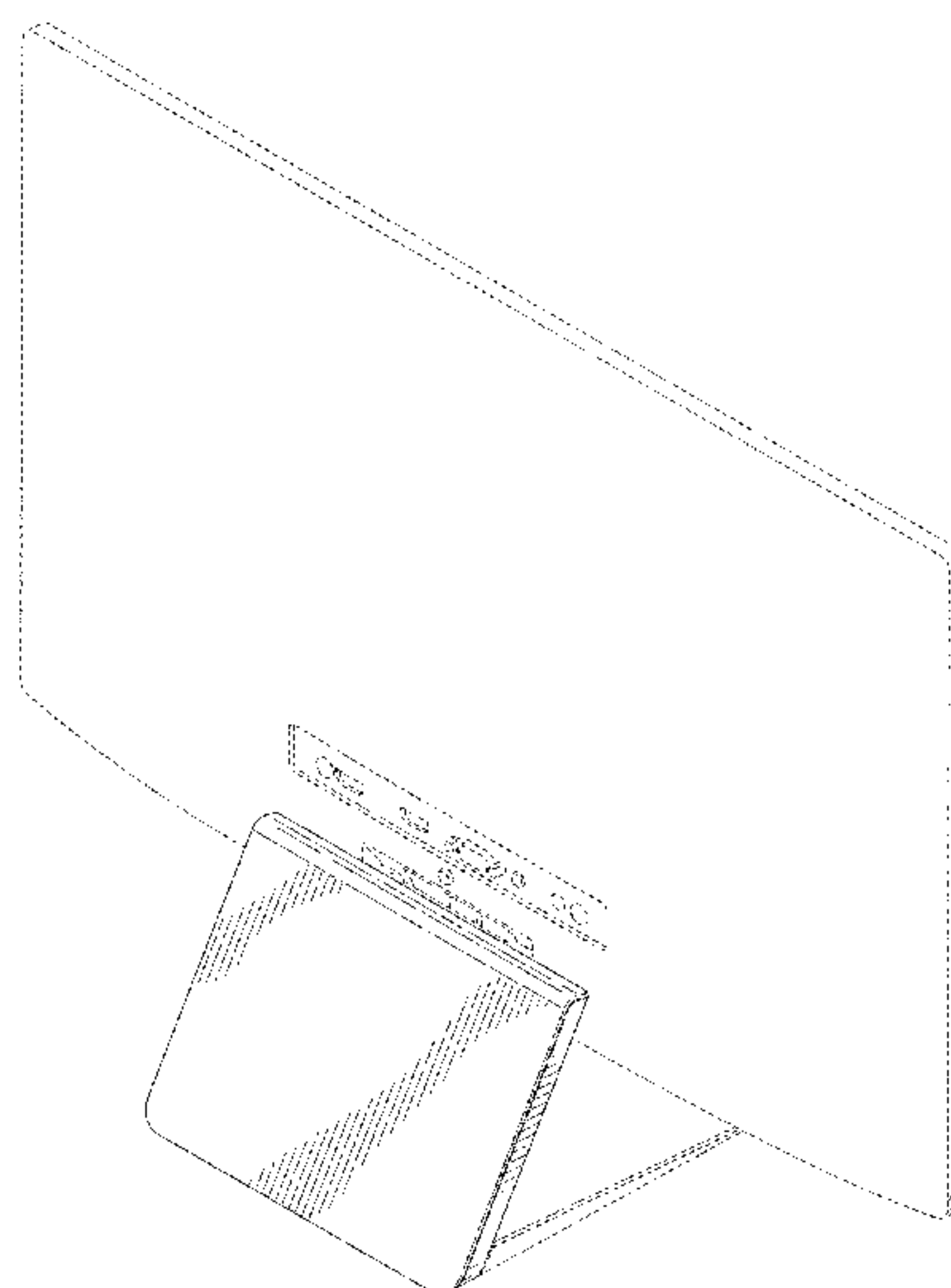
(57) **CLAIM**

We claim the ornamental design for a display, as shown and described.

**DESCRIPTION**

FIG. 1 is a rear perspective view of a display;  
 FIG. 2 is a front view thereof;  
 FIG. 3 is a rear view thereof;  
 FIG. 4 is a right side view thereof;  
 FIG. 5 is a left side view thereof;  
 FIG. 6 is a top view thereof;  
 FIG. 7 is a bottom view thereof; and,  
 FIG. 8 is a front perspective view thereof.  
 The broken lines in FIGS. 1-8 illustrate portions of the display which form no part of the claimed design.

**1 Claim, 8 Drawing Sheets**



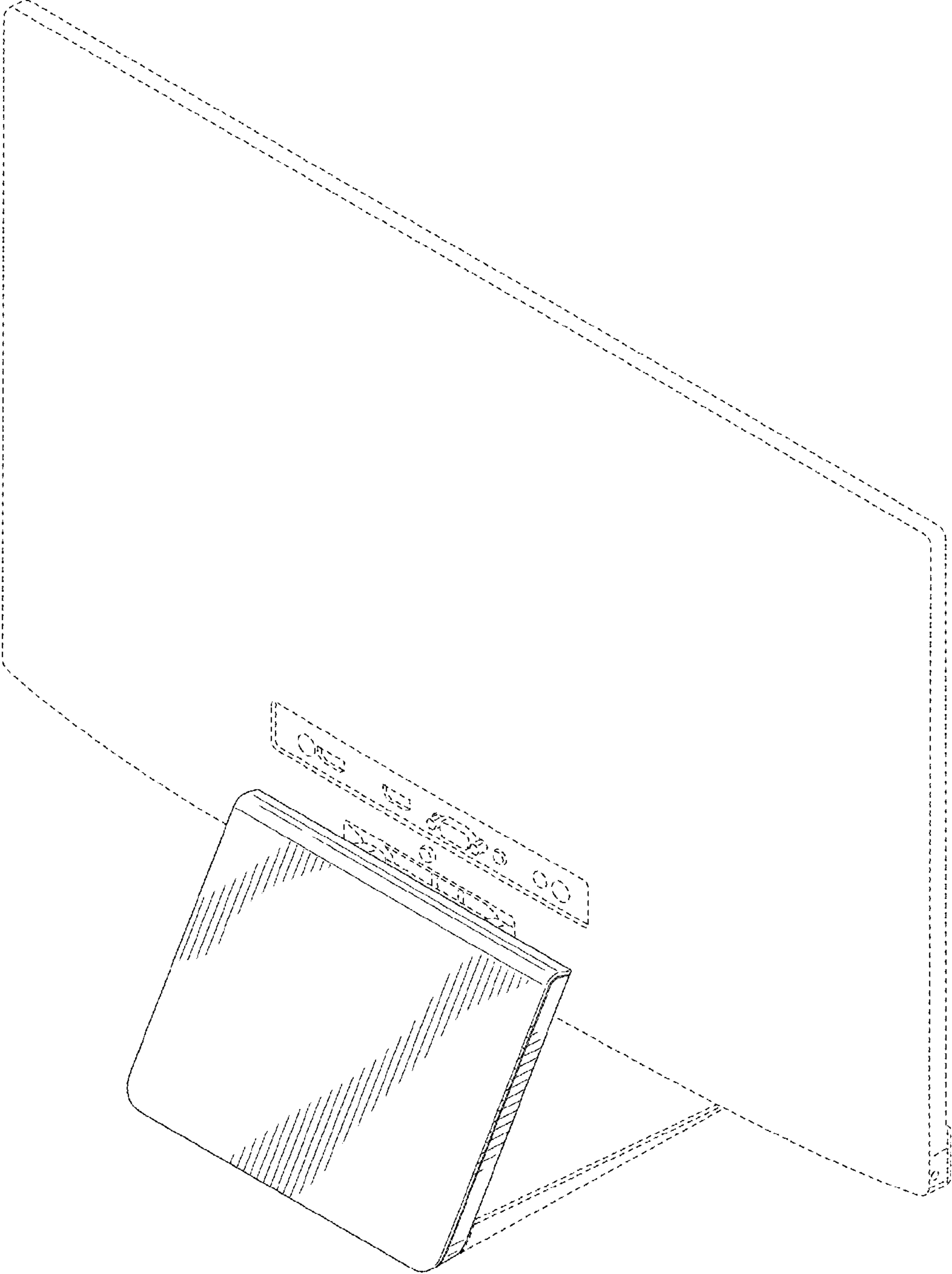
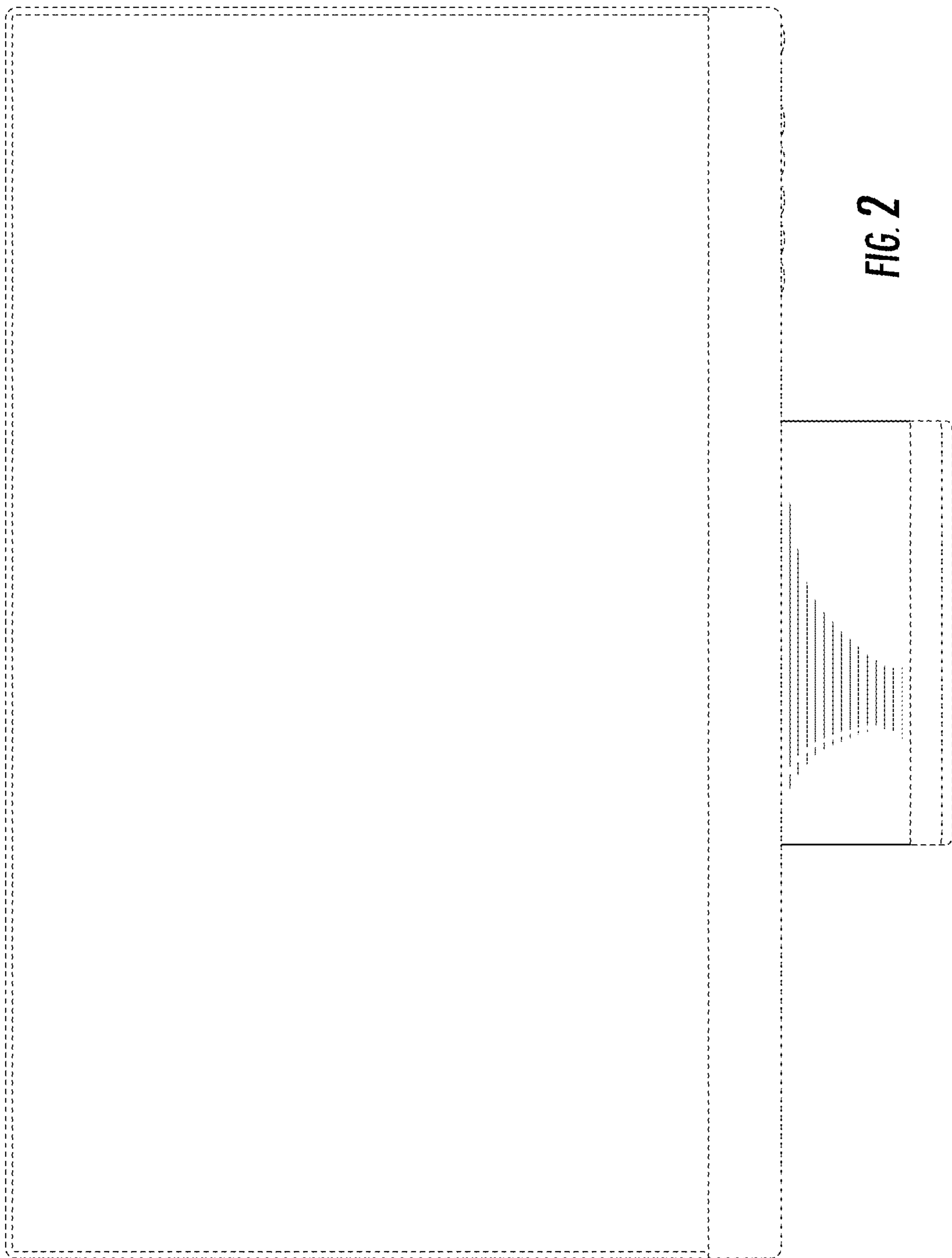


FIG. 1



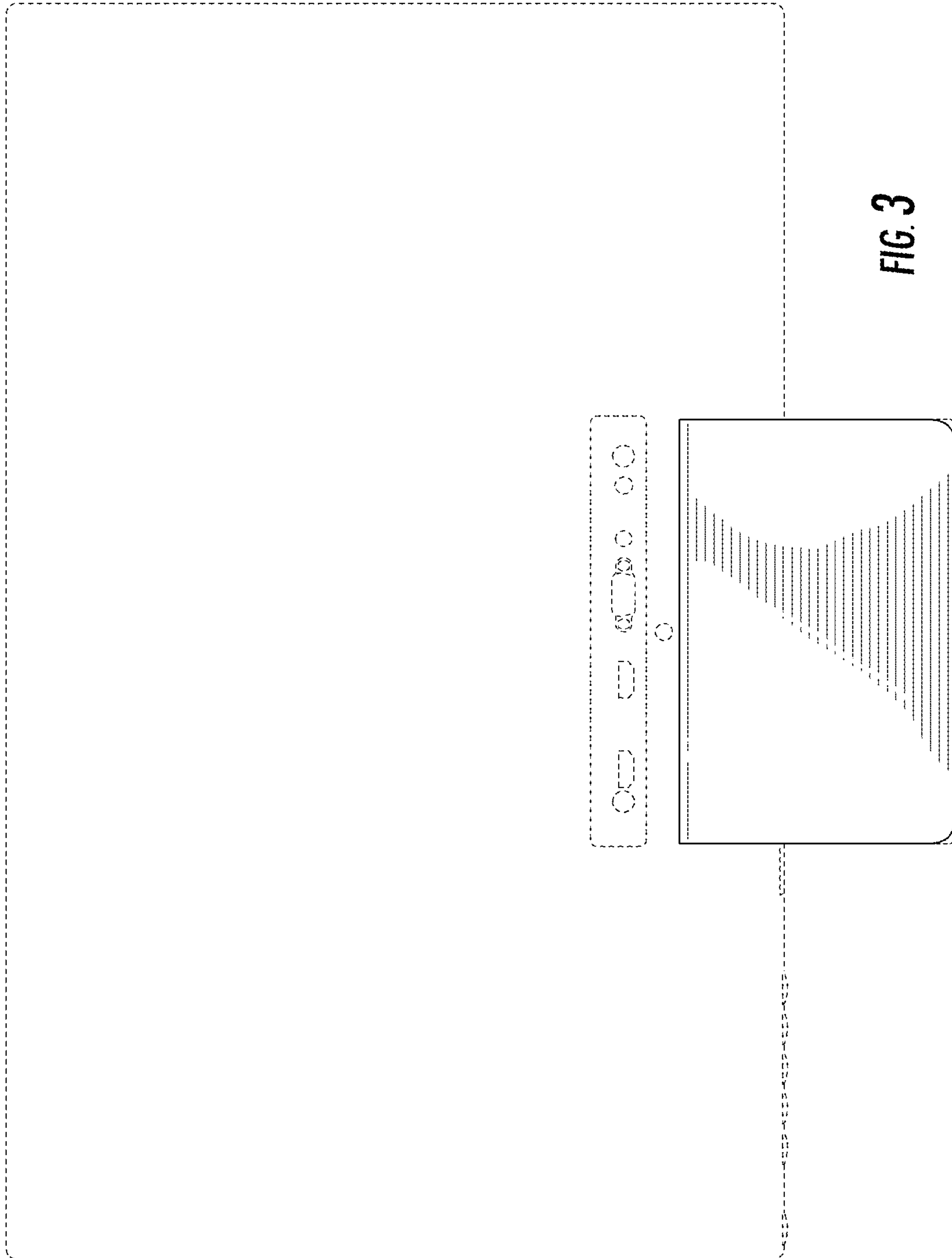


FIG. 3



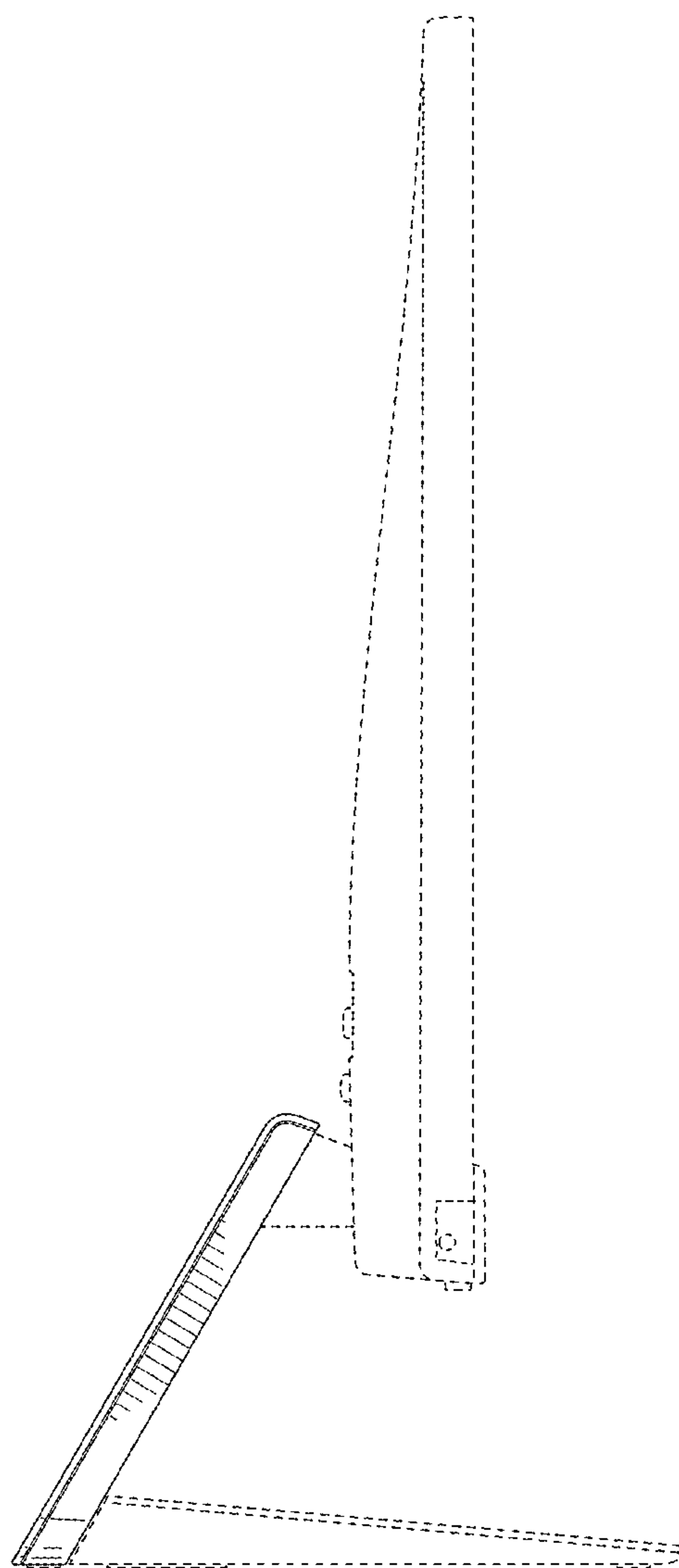


FIG. 5

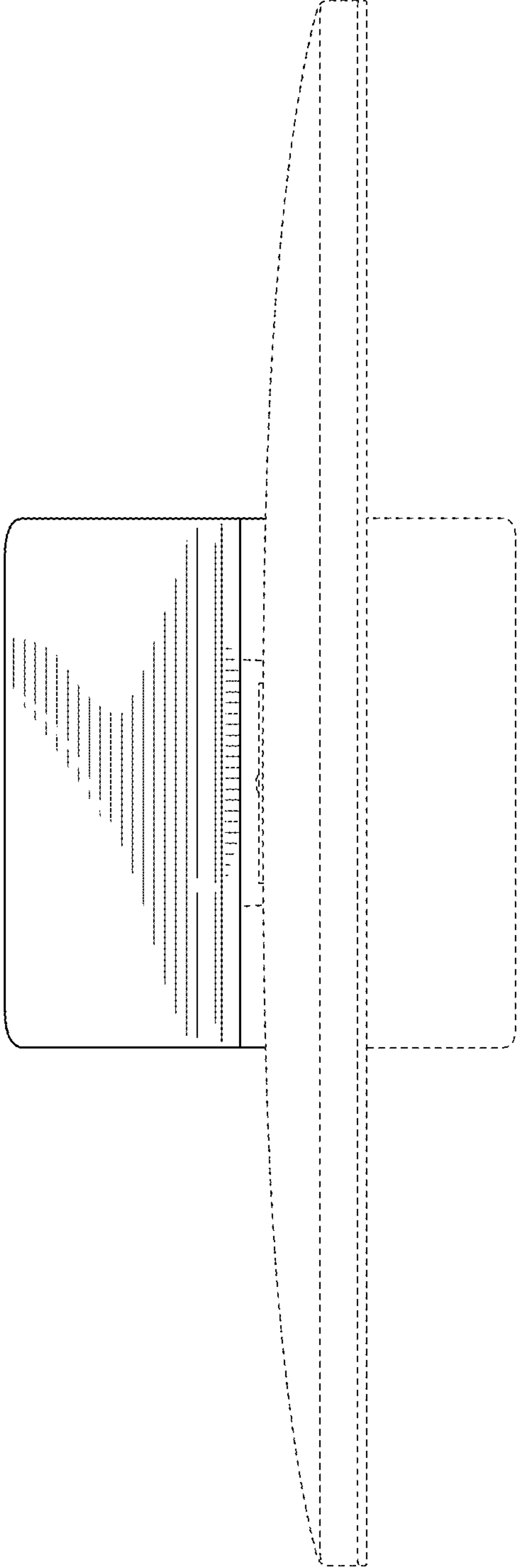


FIG. 6

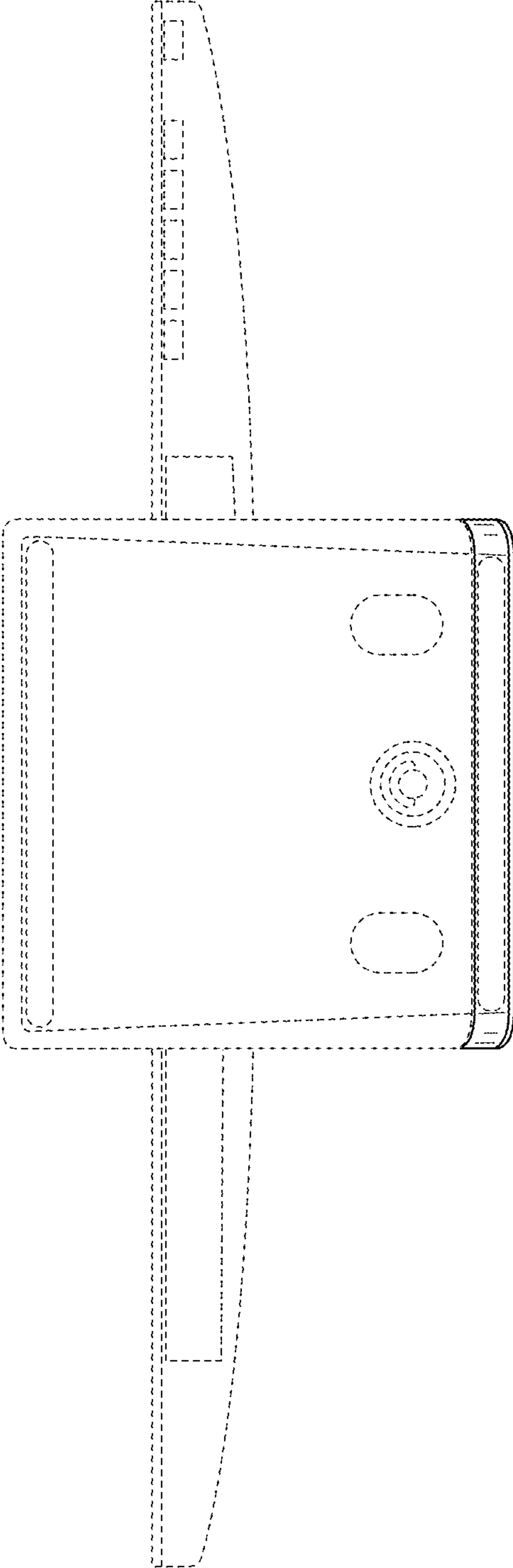
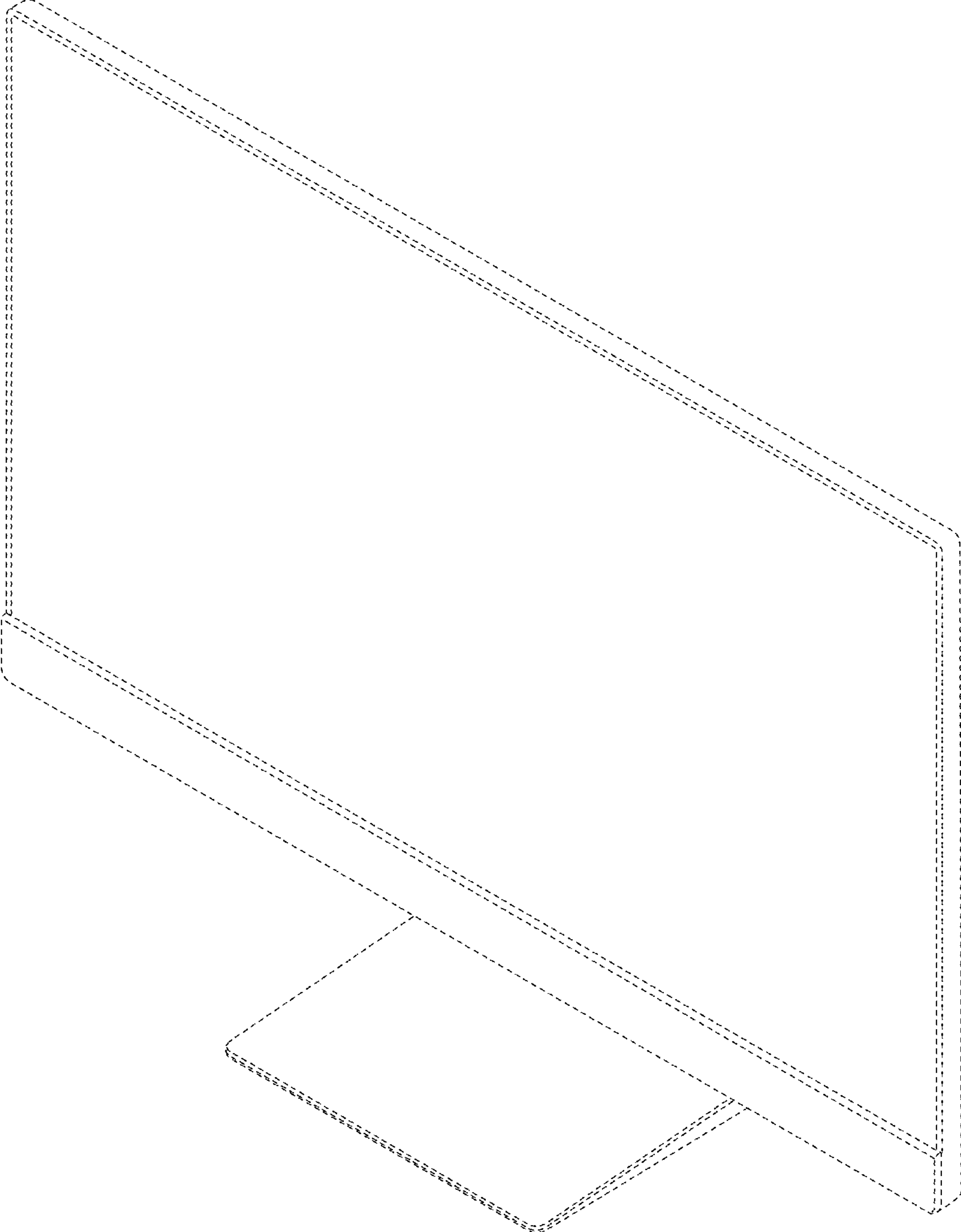


FIG. 7





**FIG. 8**