



US00D731500S

(12) **United States Design Patent**  
**Shen et al.**

(10) **Patent No.:** **US D731,500 S**  
(45) **Date of Patent:** **\*\* Jun. 9, 2015**

(54) **STAND FOR MONITOR**

(56) **References Cited**

- (71) Applicant: **Samsung Electronics Co., Ltd.**,  
Suwon-Si (KR)
- (72) Inventors: **Keshu Shen**, Beijing (CN);  
**KyoungHoon Kim**, Sungnam-si (KR);  
**Sinwi Moon**, Seogwiposi (KR)
- (73) Assignee: **Samsung Electronics Co., Ltd.**,  
Suwon-si (KR)
- (\*\*) Term: **14 Years**
- (21) Appl. No.: **29/465,355**
- (22) Filed: **Aug. 27, 2013**

U.S. PATENT DOCUMENTS

D48,234 S *	11/1915	Wilcox	.....	D7/590
2,132,647 A *	10/1938	Robins	.....	446/94
D292,385 S *	10/1987	Udelhofen	.....	D11/210
D371,508 S *	7/1996	Sagol	.....	D8/396
D403,618 S *	1/1999	Fildan	.....	D11/210
D431,181 S *	9/2000	Leitzke et al.	.....	D8/382
D475,276 S *	6/2003	Kelleghan	.....	D8/356
D488,036 S *	4/2004	Dimeo	.....	D7/708
D488,371 S *	4/2004	Shaljian	.....	D8/354
D492,188 S *	6/2004	Goldberg	.....	D8/356
D518,118 S *	3/2006	Orr	.....	D21/573
D520,080 S *	5/2006	Orr	.....	D21/573
D665,292 S *	8/2012	Jackson	.....	D11/1
D684,945 S *	6/2013	Kang et al.	.....	D14/126
D694,210 S *	11/2013	Fujii et al.	.....	D14/126
D699,537 S *	2/2014	Miller	.....	D8/72
D707,194 S *	6/2014	Shen et al.	.....	D14/126

\* cited by examiner

(30) **Foreign Application Priority Data**

Feb. 27, 2013 (KR) ..... 30-2013-10367

(51) **LOC (10) Cl.** ..... **08-07**

(52) **U.S. Cl.**  
USPC ..... **D14/451**

(58) **Field of Classification Search**  
USPC ..... D14/211, 238, 251, 253, 371–382,  
D14/125–129, 336, 337, 447, 448, 451, 452,  
D14/492, 450, 239; 341/12; 345/104, 156,  
345/168, 173; 348/180, 184, 325, 739;  
349/1, 2, 11, 62; 361/679.05–679.07,  
361/679.21; D6/300, 310–313, 308, 708;  
D8/356, 396  
CPC ..... H03M 1/00; H03M 2201/4135; G06F  
3/0412; G02F 1/13338; H04N 17/00; H04N  
17/004; H04N 17/04

See application file for complete search history.

*Primary Examiner* — Deanna L Pratt  
*Assistant Examiner* — Katie Mroczka  
(74) *Attorney, Agent, or Firm* — NSIP Law

(57) **CLAIM**  
The ornamental design for a stand for monitor, as shown and described.

**DESCRIPTION**

FIG. 1 is a front perspective view of a stand for monitor showing our new design;  
FIG. 2 is a front view thereof;  
FIG. 3 is a rear view thereof;  
FIG. 4 is a left-side view thereof;  
FIG. 5 is a right-side view thereof;  
FIG. 6 is a top view thereof;  
FIG. 7 is a bottom view thereof, and,  
FIG. 8 is another perspective view thereof, in which a display device in broken lines is shown as an example environment.

**1 Claim, 8 Drawing Sheets**

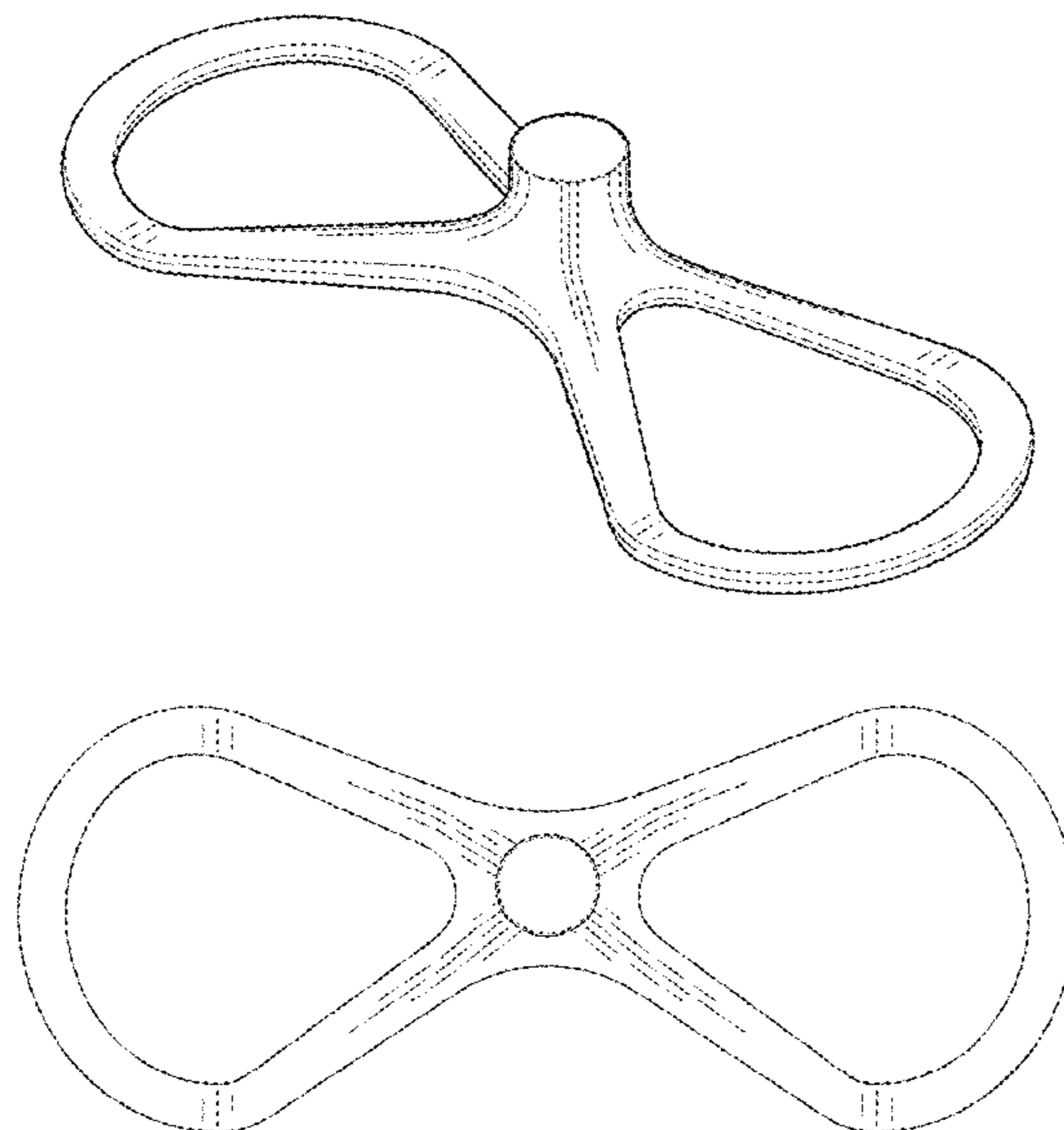
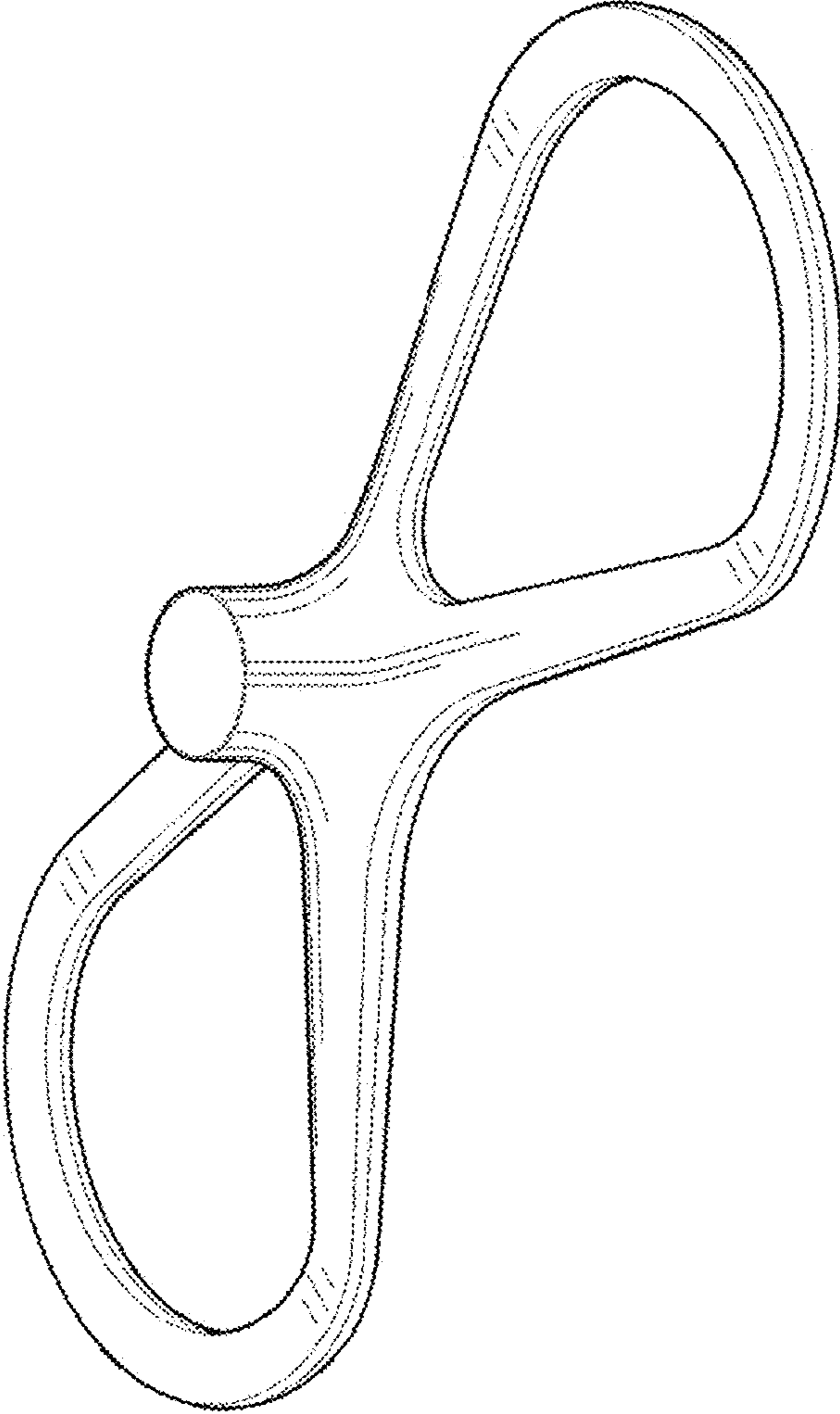


FIG. 1



**FIG. 2**

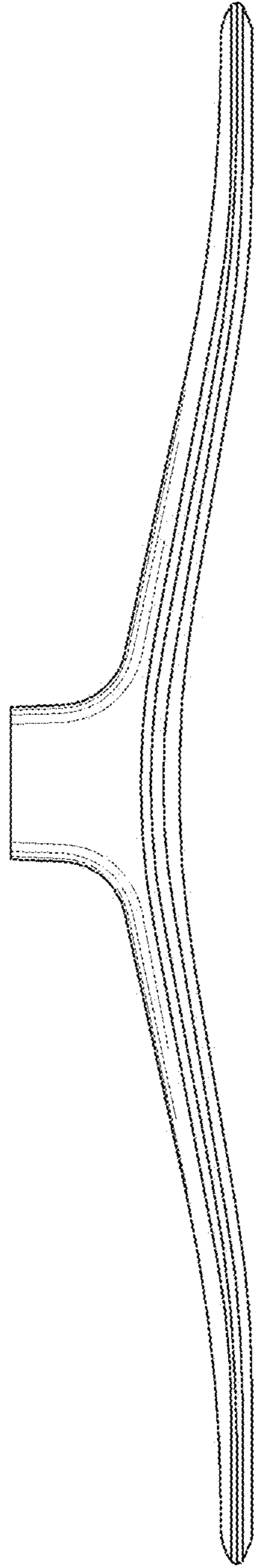


FIG. 3

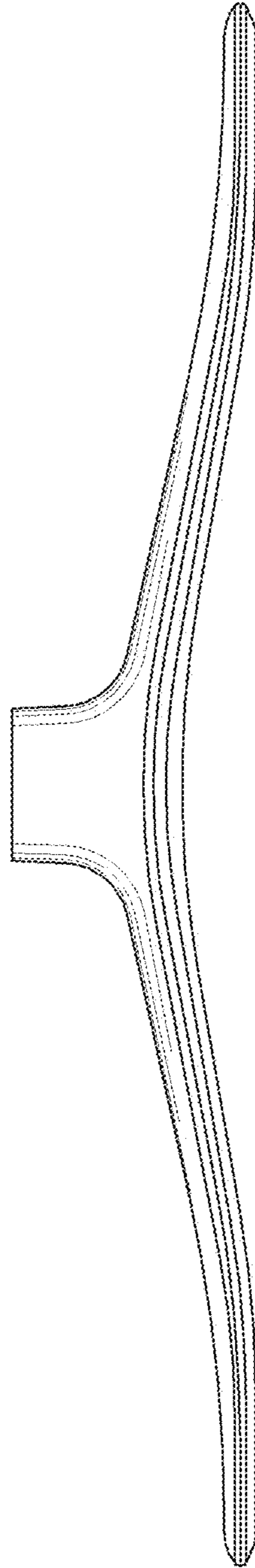


FIG. 4

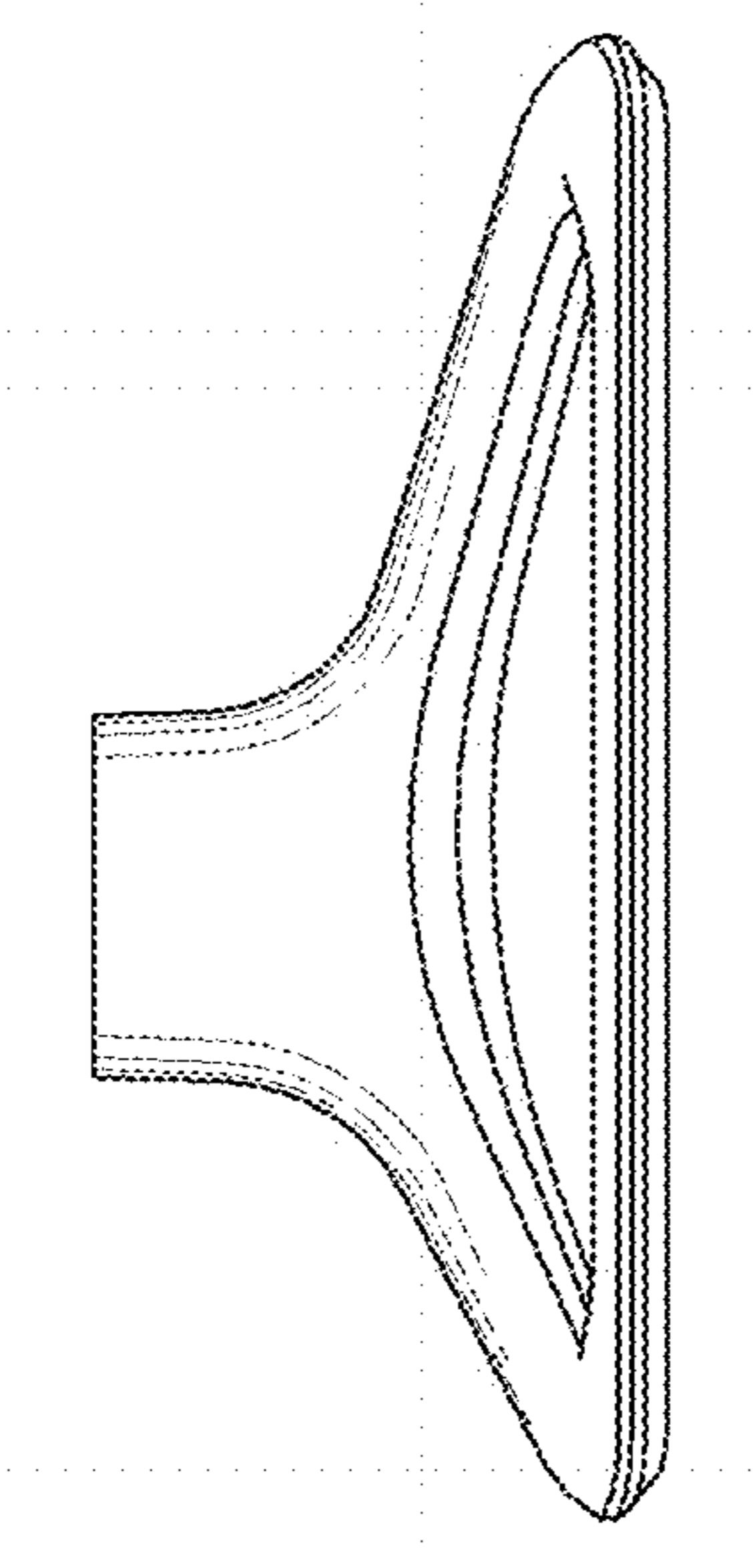


FIG. 5

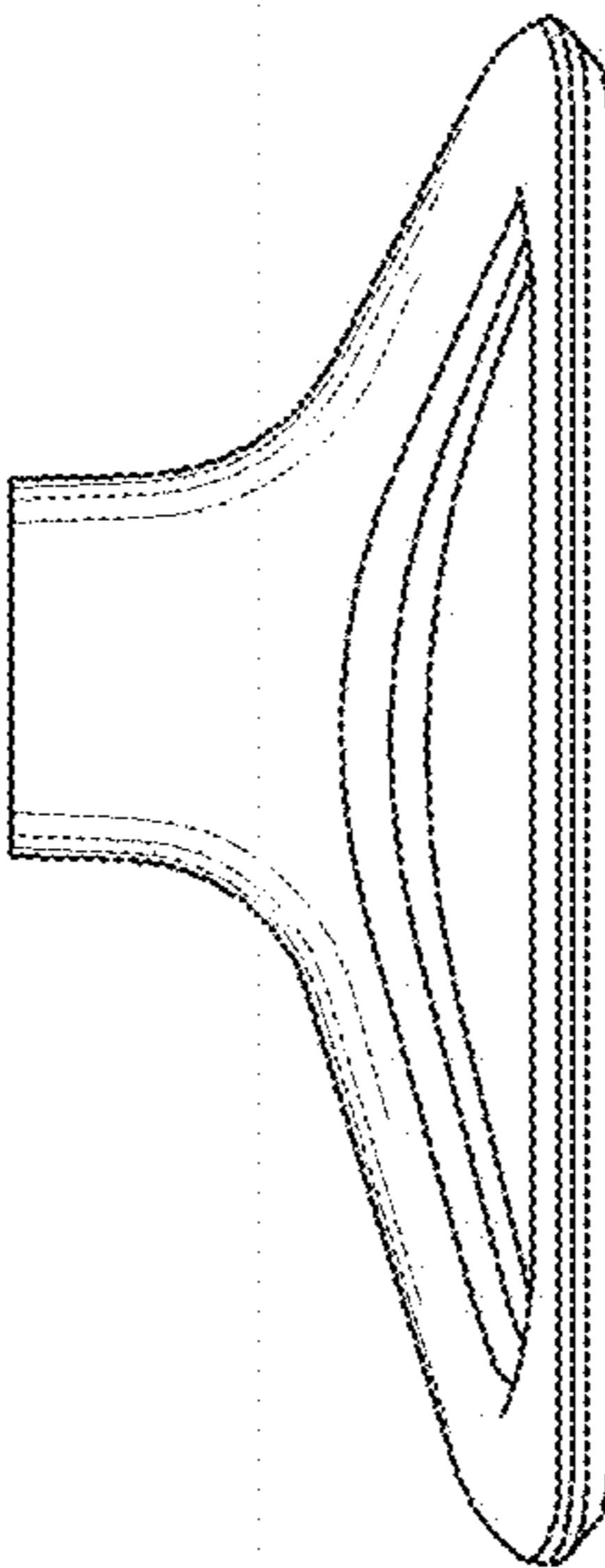


FIG.6

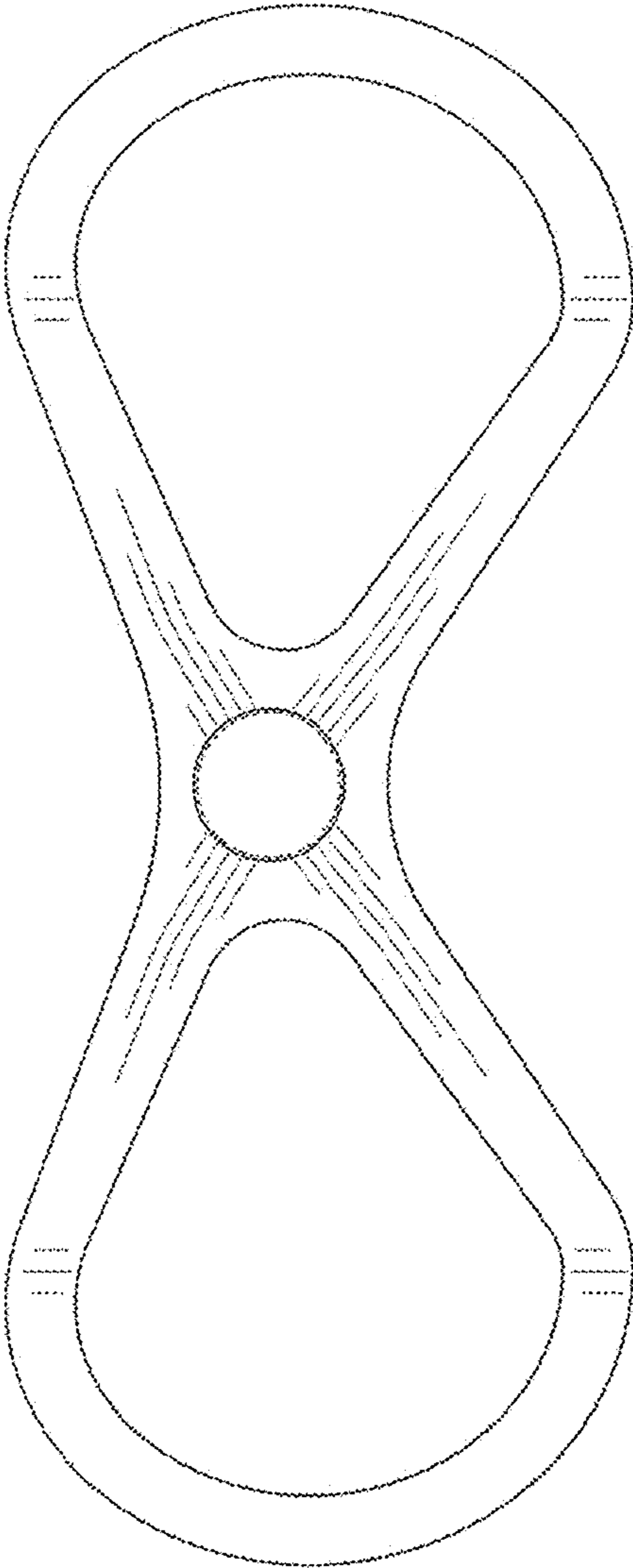


FIG. 7

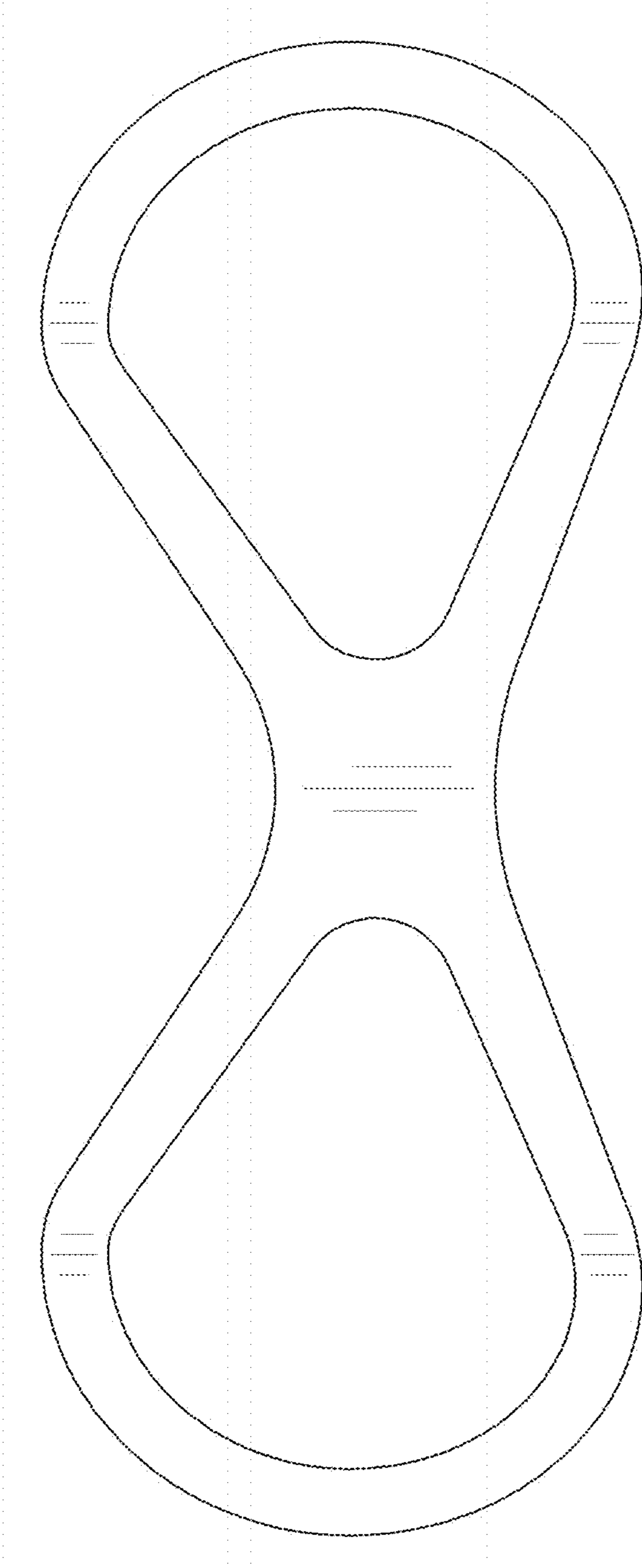




FIG. 8

