



US00D731499S

(12) **United States Design Patent**  
**Tseng**

(10) **Patent No.:** **US D731,499 S**

(45) **Date of Patent:** **\*\* Jun. 9, 2015**

(54) **DISPLAY**

(71) Applicant: **Hewlett-Packard Development Company, L.P.**, Houston, TX (US)

(72) Inventor: **In Shr Tseng**, San Mateo, CA (US)

(73) Assignee: **Hewlett-Packard Development Company, L.P.**, Houston, TX (US)

(\*\*) Term: **14 Years**

(21) Appl. No.: **29/465,330**

(22) Filed: **Aug. 27, 2013**

(51) **LOC (10) Cl.** ..... **08-07**

(52) **U.S. Cl.**  
USPC ..... **D14/451**

(58) **Field of Classification Search**  
USPC ..... D14/371–382, 125–129, 336, 337, D14/447–452, 492, 335, 239, 457, 439–441, D14/251–253; D8/313–317, 349, 354, 363, D8/373, 376, 380; 348/180, 184, 325, 739, 348/825; D12/407, 415; D3/218  
CPC ..... G06F 3/0412; G06F 3/016; G06F 3/0488; G06F 3/011; G06F 3/038; G06F 3/03543; G06F 3/0338; G06F 3/0202; G06F 3/0219; G06F 3/0213; G06F 1/1616; G06F 3/023; G06F 3/04883; G02F 1/13338; G02F 1/1313; G02F 1/1333; G02F 1/135; G02F 1/132; G02F 1/133308; G02F 1/134309; G02F 1/13718; G09G 3/3648; G06K 15/1252; B41J 2/465; G03F 7/70291; G02B 27/0172; G02B 5/30; G02B 2027/0118; G02B 27/0101; F16M 13/02; F16M 13/00; F16M 11/10; F16M 11/04; F16M 2200/08; F16M 11/2021; A47B 21/0314; A47B 88/044; A47B 2021/0335; H02G 3/126; F16B 47/00; F16B 47/006; A47G 1/17; A47K 2201/00

See application file for complete search history.

(56) **References Cited**

U.S. PATENT DOCUMENTS

3,293,589	A *	12/1966	Oakes	.....	439/268
3,500,973	A *	3/1970	Bush	.....	16/114.1
3,695,210	A *	10/1972	Stein	.....	441/69
5,165,754	A *	11/1992	Louys	.....	297/391
6,381,148	B1 *	4/2002	Daskalakis et al.	.....	361/801
D463,439	S *	9/2002	Olivo	.....	D14/448
7,143,478	B2 *	12/2006	Quijano	.....	16/445
D602,271	S *	10/2009	Schwartz et al.	.....	D6/355
D613,646	S *	4/2010	Schwartz et al.	.....	D12/115
D644,446	S *	9/2011	Schwartz et al.	.....	D6/349
D649,818	S *	12/2011	Dye	.....	D6/510
D667,471	S *	9/2012	Harder	.....	D15/127
D667,477	S *	9/2012	Harder	.....	D15/127
D699,232	S *	2/2014	Jung et al.	.....	D14/239
D710,783	S *	8/2014	Behar et al.	.....	D12/407
D722,067	S *	2/2015	Jung et al.	.....	D14/451

\* cited by examiner

*Primary Examiner* — Deanna L Pratt

*Assistant Examiner* — Katie Mroczka

(74) *Attorney, Agent, or Firm* — Rathe Lindenbaum LLP

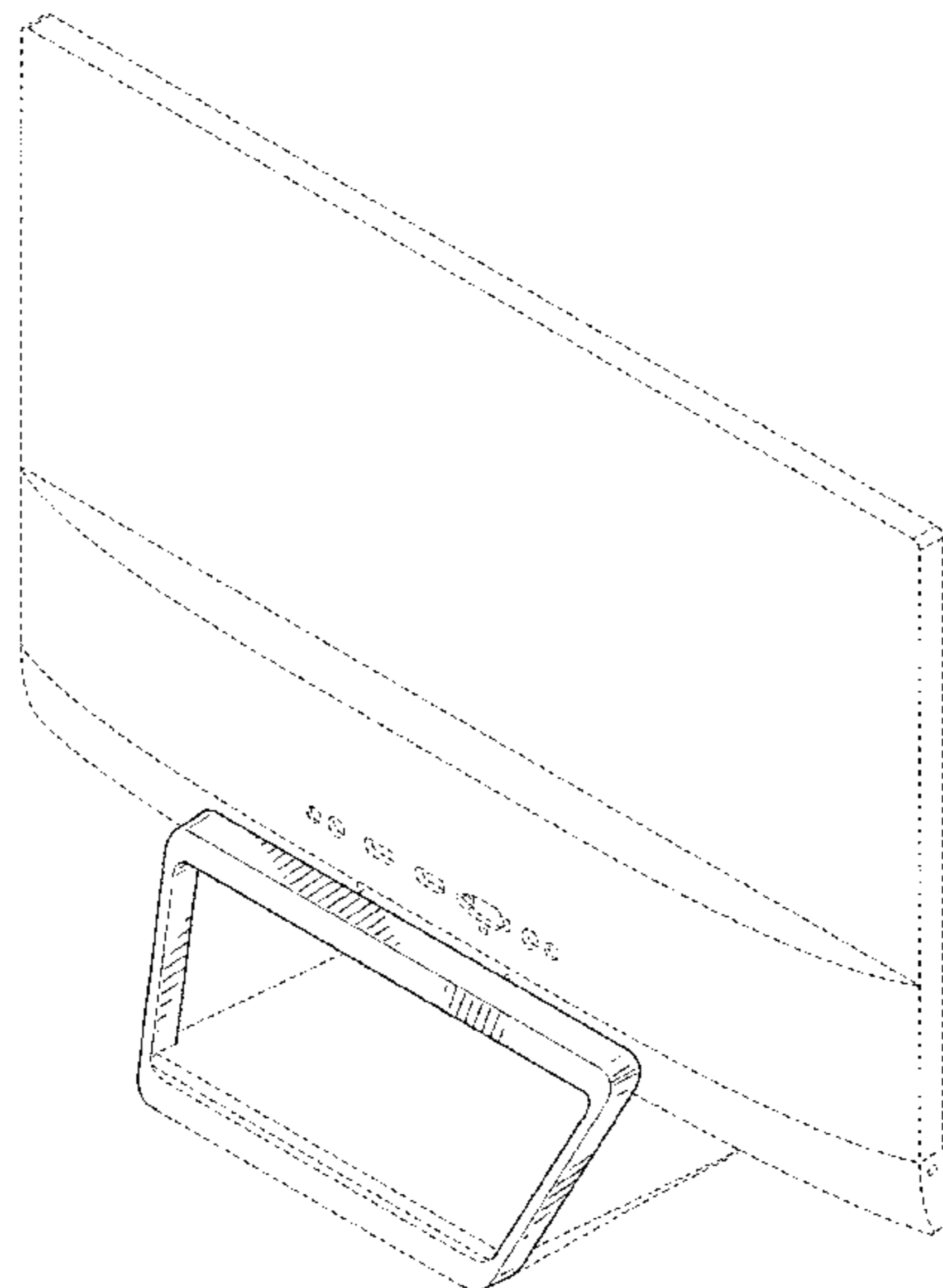
(57) **CLAIM**

We claim the ornamental design for a display, as shown and described.

**DESCRIPTION**

FIG. 1 is a rear perspective view of a display;  
FIG. 2 is a front view thereof;  
FIG. 3 is a rear view thereof;  
FIG. 4 is a right side view thereof;  
FIG. 5 is a left side view thereof;  
FIG. 6 is a top view thereof;  
FIG. 7 is a bottom view thereof; and,  
FIG. 8 is a front perspective view thereof.  
The broken lines in FIGS. 1-8 illustrate portions of the display which form no part of the claimed design.

**1 Claim, 8 Drawing Sheets**



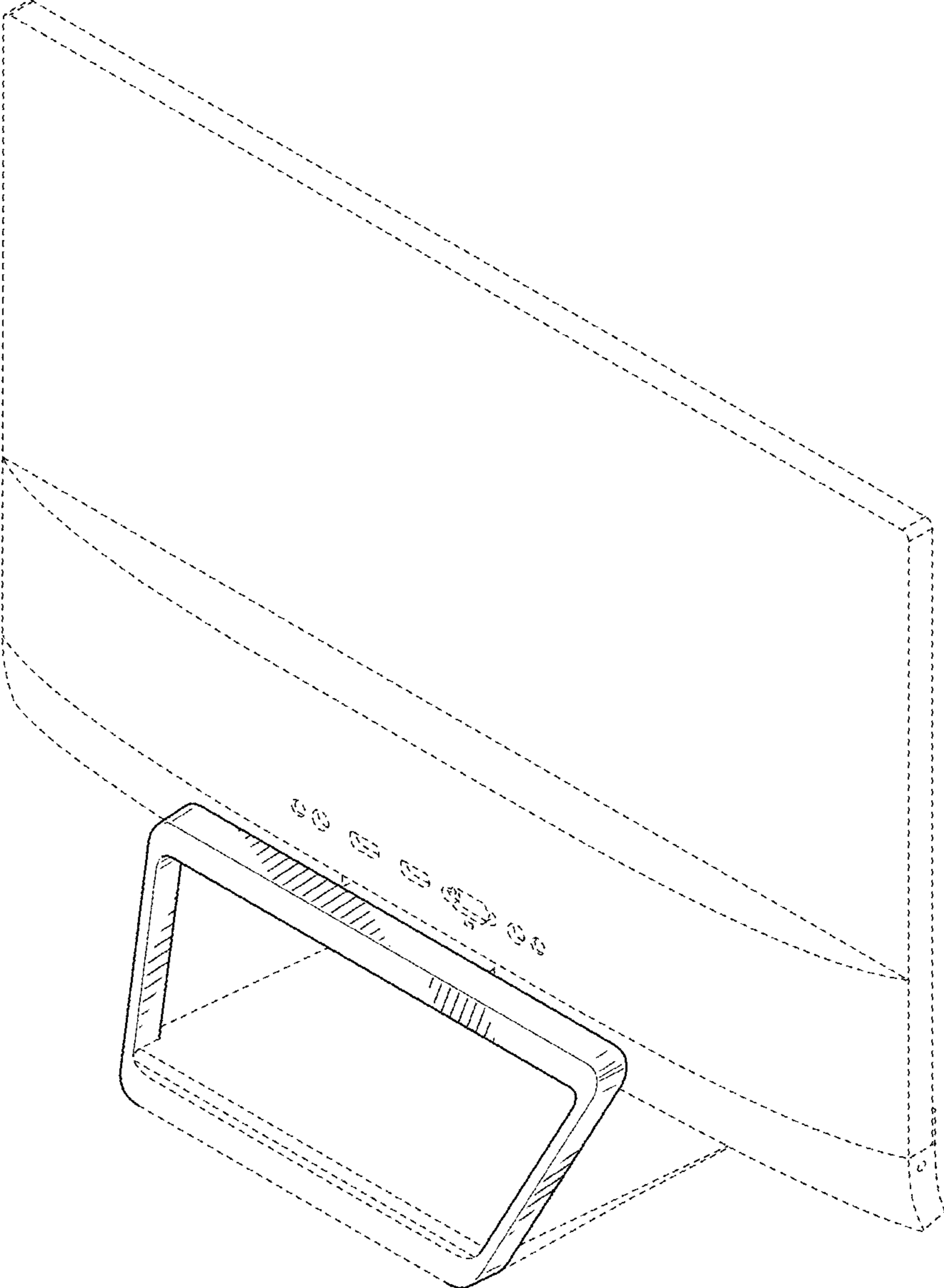


FIG. 1

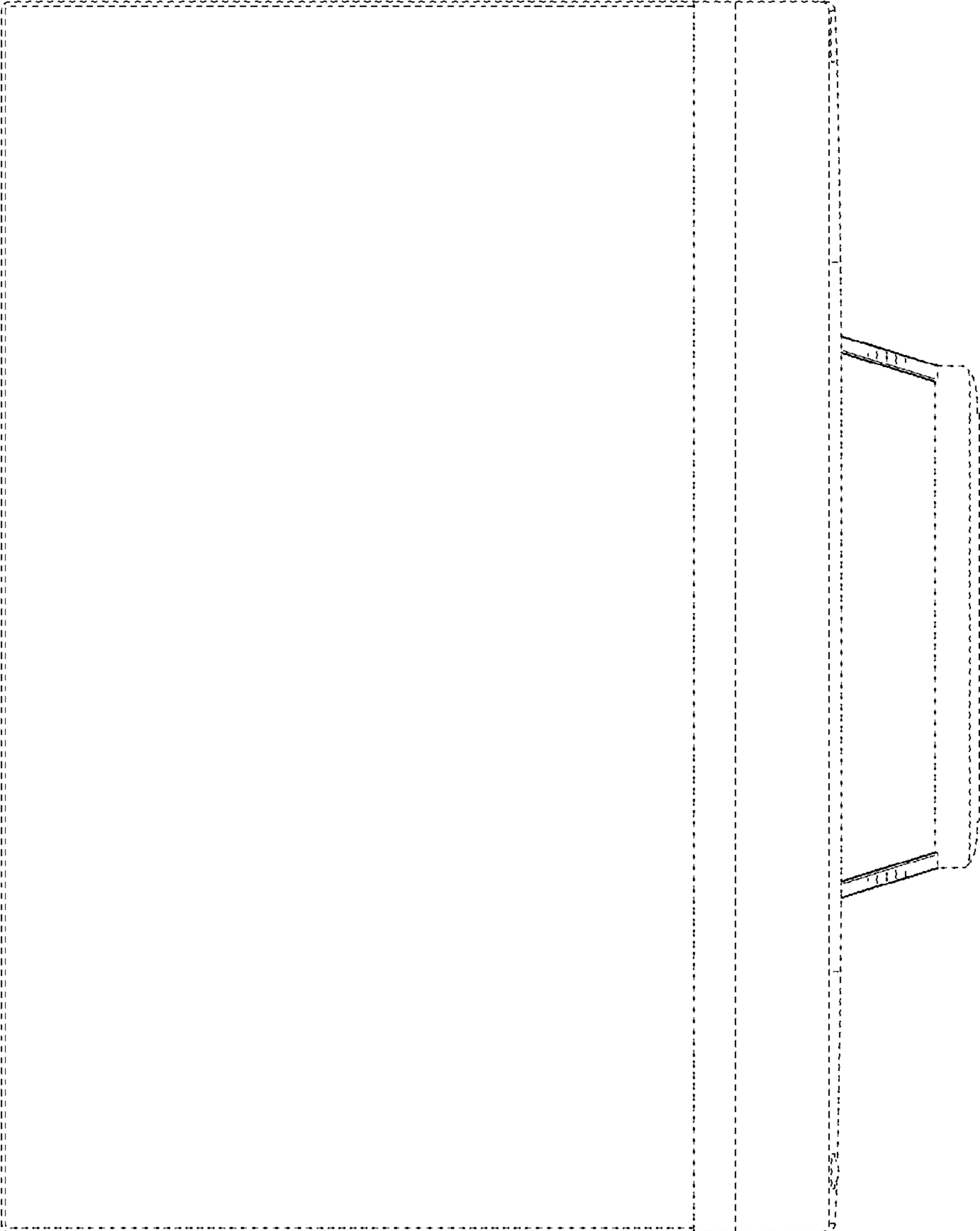


FIG. 2

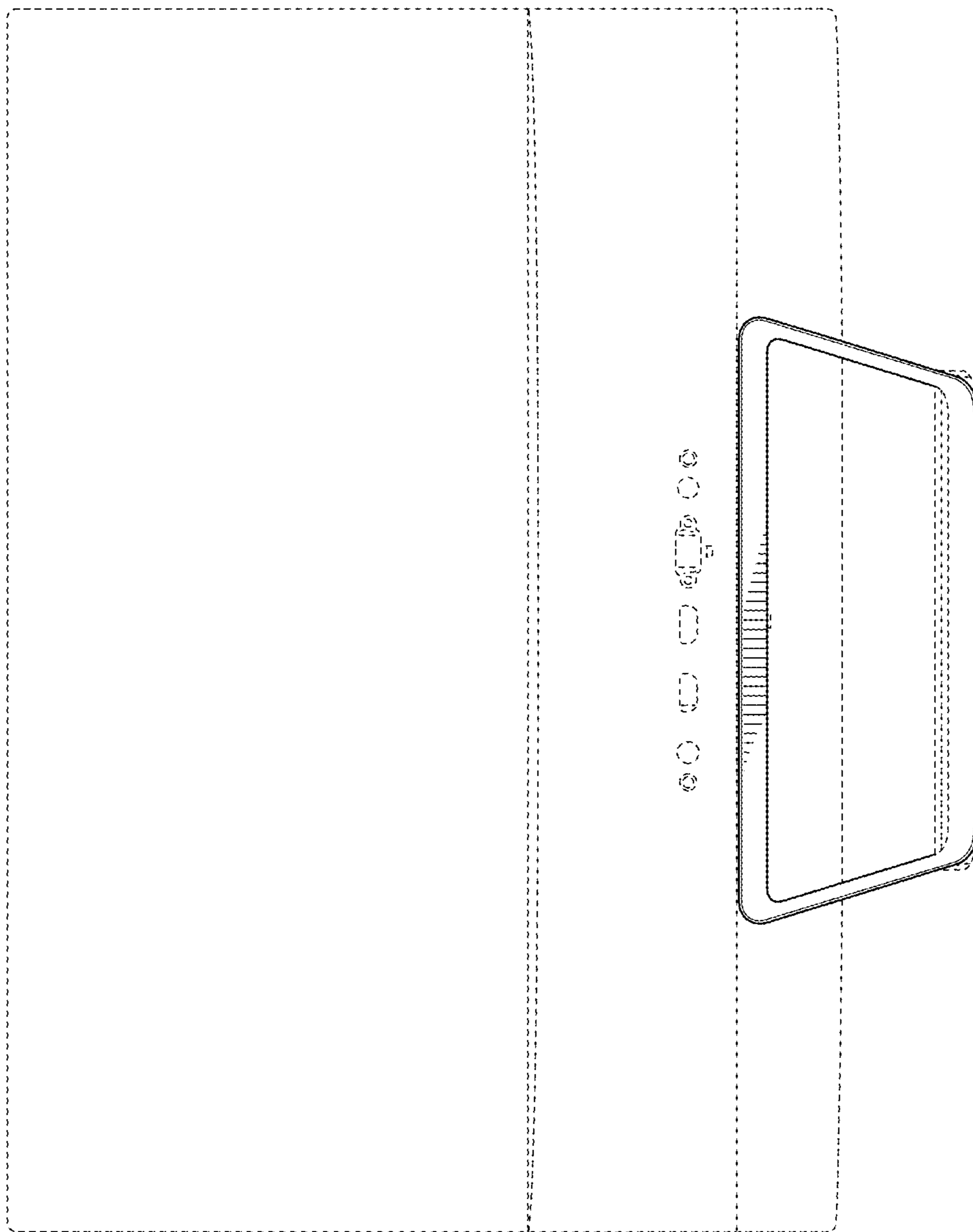


FIG. 3

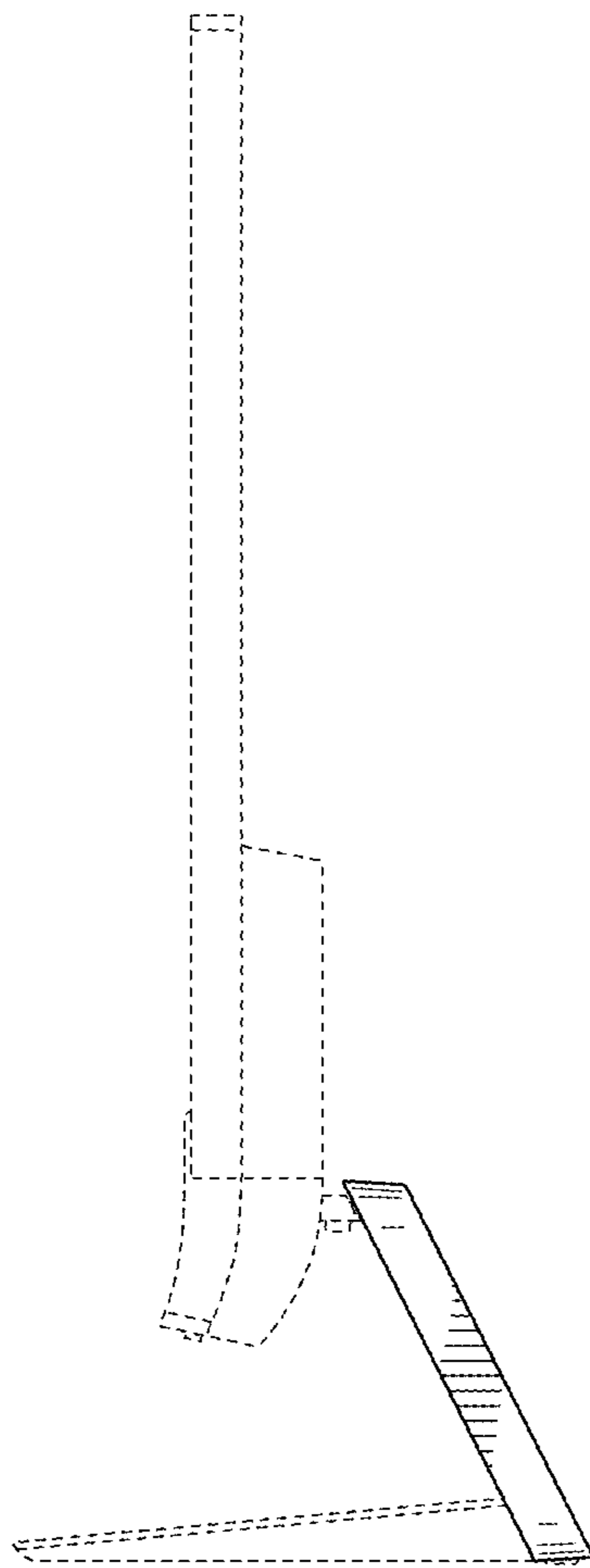


FIG. 4

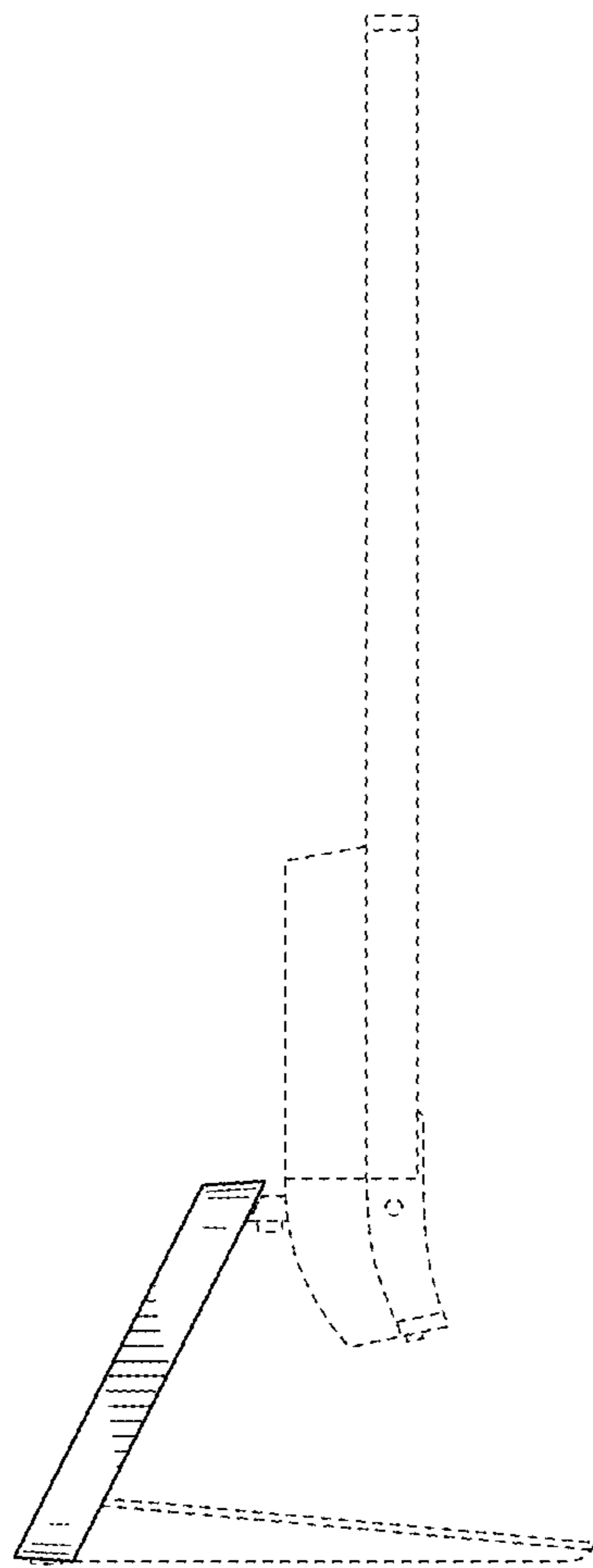


FIG. 5

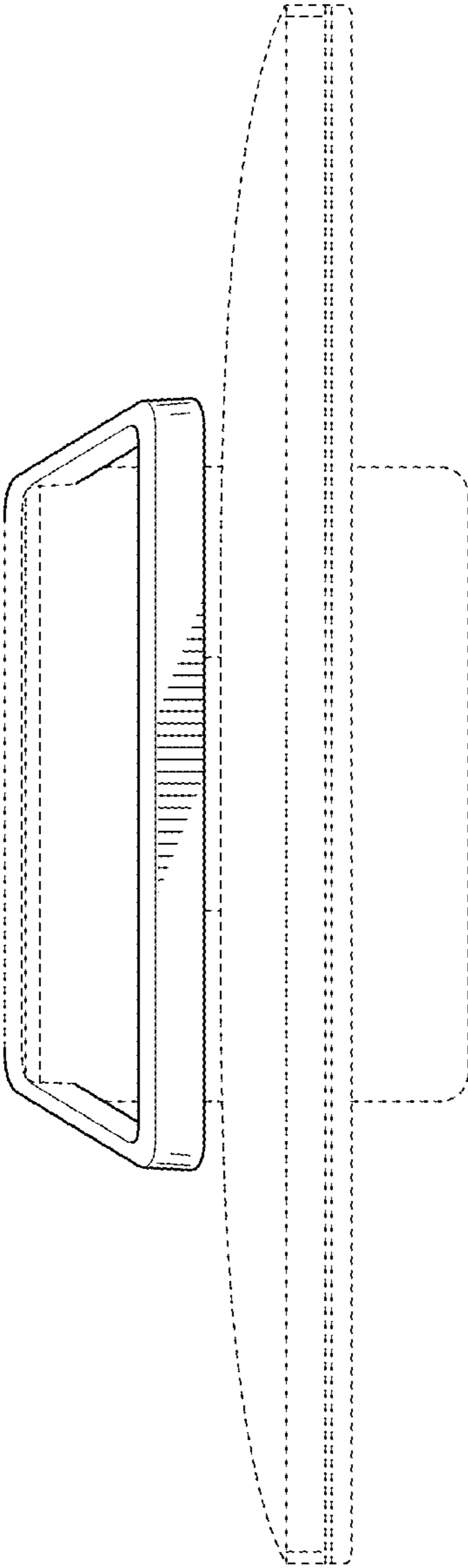


FIG. 6

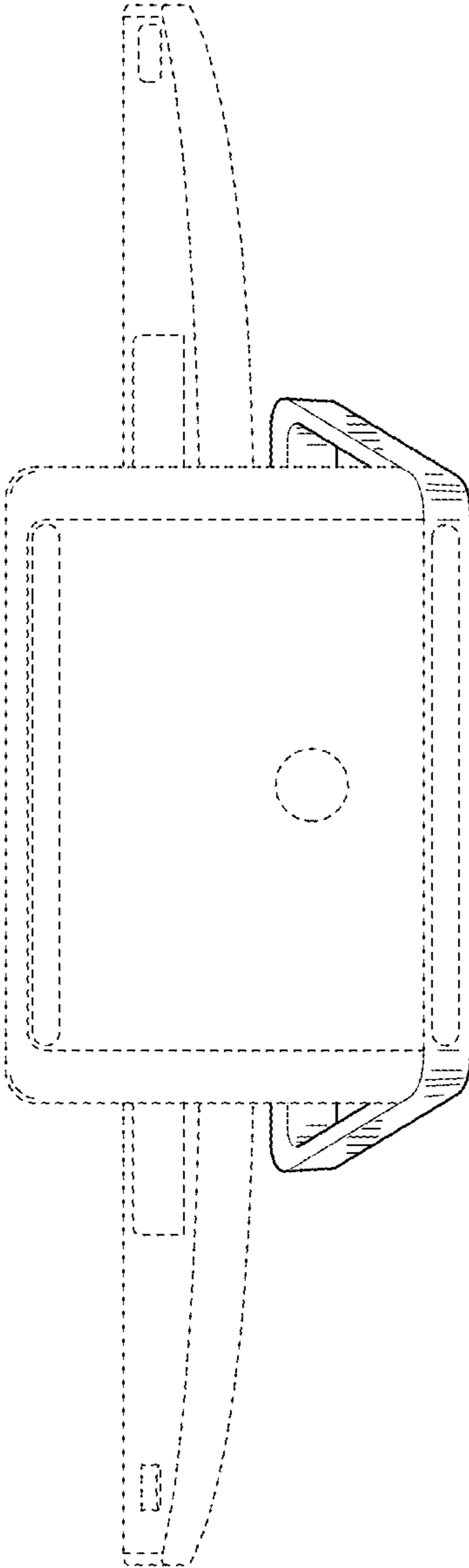
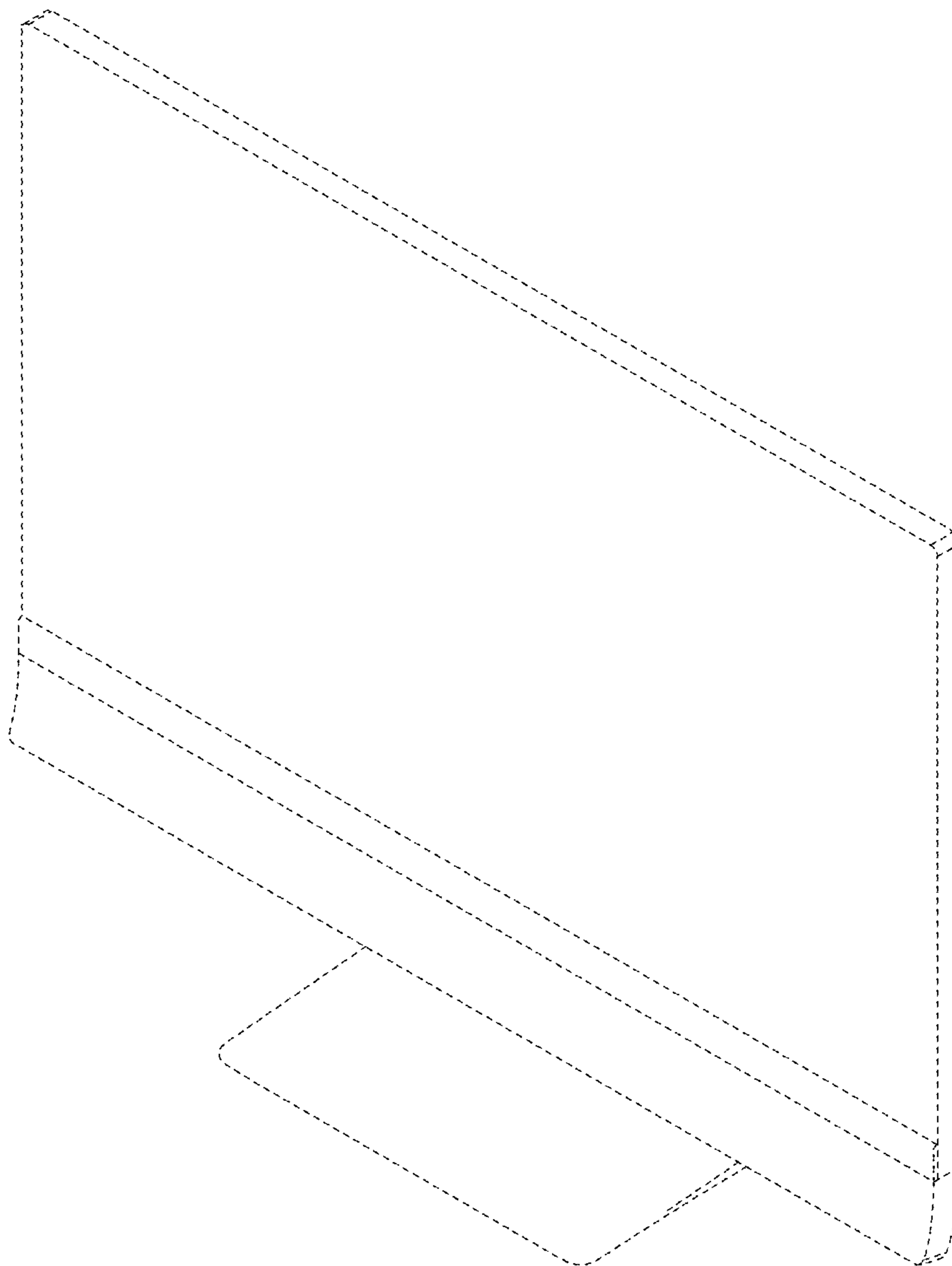


FIG. 7





**FIG. 8**