



US00D731498S

(12) **United States Design Patent**
Jeon et al.

(10) **Patent No.:** **US D731,498 S**

(45) **Date of Patent:** **** Jun. 9, 2015**

(54) **STAND FOR TELEVISION RECEIVERS**

(71) Applicant: **LG Electronics Inc.**, Seoul (KR)

(72) Inventors: **Seongahn Jeon**, Seoul (KR); **Hyojin Won**, Seoul (KR)

(73) Assignee: **LG Electronics Inc.**, Seoul (KR)

(**) Term: **14 Years**

(21) Appl. No.: **29/460,045**

(22) Filed: **Jul. 8, 2013**

(30) **Foreign Application Priority Data**

Jan. 7, 2013 (KR) 30-2013-0001041

(51) **LOC (10) Cl.** **08-07**

(52) **U.S. Cl.**
USPC **D14/451**

(58) **Field of Classification Search**

USPC D14/211, 238, 251, 253, 371–382,
D14/125–129, 336, 337, 447, 448, 451, 452,
D14/492, 450, 239; 341/12; 345/104, 156,
345/168, 173; 348/180, 184, 325, 739;
349/1, 2, 11, 62; 361/679.05–679.07,
361/679.21; D6/300, 310–313, 308, 708
CPC H03M 1/00; H03M 2201/4135; G06F
3/0412; G02F 1/13338; H04N 17/00; H04N
17/004; H04N 17/04
See application file for complete search history.

(56) **References Cited**

U.S. PATENT DOCUMENTS

D680,106 S * 4/2013 Hwangbo et al. D14/239
D683,710 S * 6/2013 Jeon et al. D14/126

D699,231 S * 2/2014 Kim et al. D14/239
D699,232 S * 2/2014 Jung et al. D14/239
D699,698 S * 2/2014 Jeon et al. D14/126
D699,713 S * 2/2014 Seong D14/239
D702,243 S * 4/2014 Oh et al. D14/447
D705,185 S * 5/2014 Jeon et al. D14/126
D712,184 S * 9/2014 Behar et al. D6/709.22
D713,806 S * 9/2014 Park et al. D14/126
D714,749 S * 10/2014 Park et al. D14/126
D716,245 S * 10/2014 Kim D14/126

* cited by examiner

Primary Examiner — Deanna L Pratt

Assistant Examiner — Katie Mroczka

(74) *Attorney, Agent, or Firm* — Morgan, Lewis & Bockius LLP

(57) **CLAIM**

The ornamental design for a stand for television receivers, as shown and described.

DESCRIPTION

FIG. 1 is a rear perspective view of a stand for television receivers showing our new design;
FIG. 2 is a front view thereof;
FIG. 3 is a rear view thereof;
FIG. 4 is a left side view thereof where the right side view is a mirror image;
FIG. 5 is a top plan view thereof;
FIG. 6 is a bottom plan view thereof; and,
FIG. 7 is a rear perspective view thereof showing the state that the stand for television receivers is attached to the television receiver.

The broken lines in FIGS. 2 and 6 illustrate portions of the claimed design which form no part of the claimed design. The broken lines in FIG. 7 illustrate the environment of the claimed design and form no part of the claimed design.

1 Claim, 7 Drawing Sheets

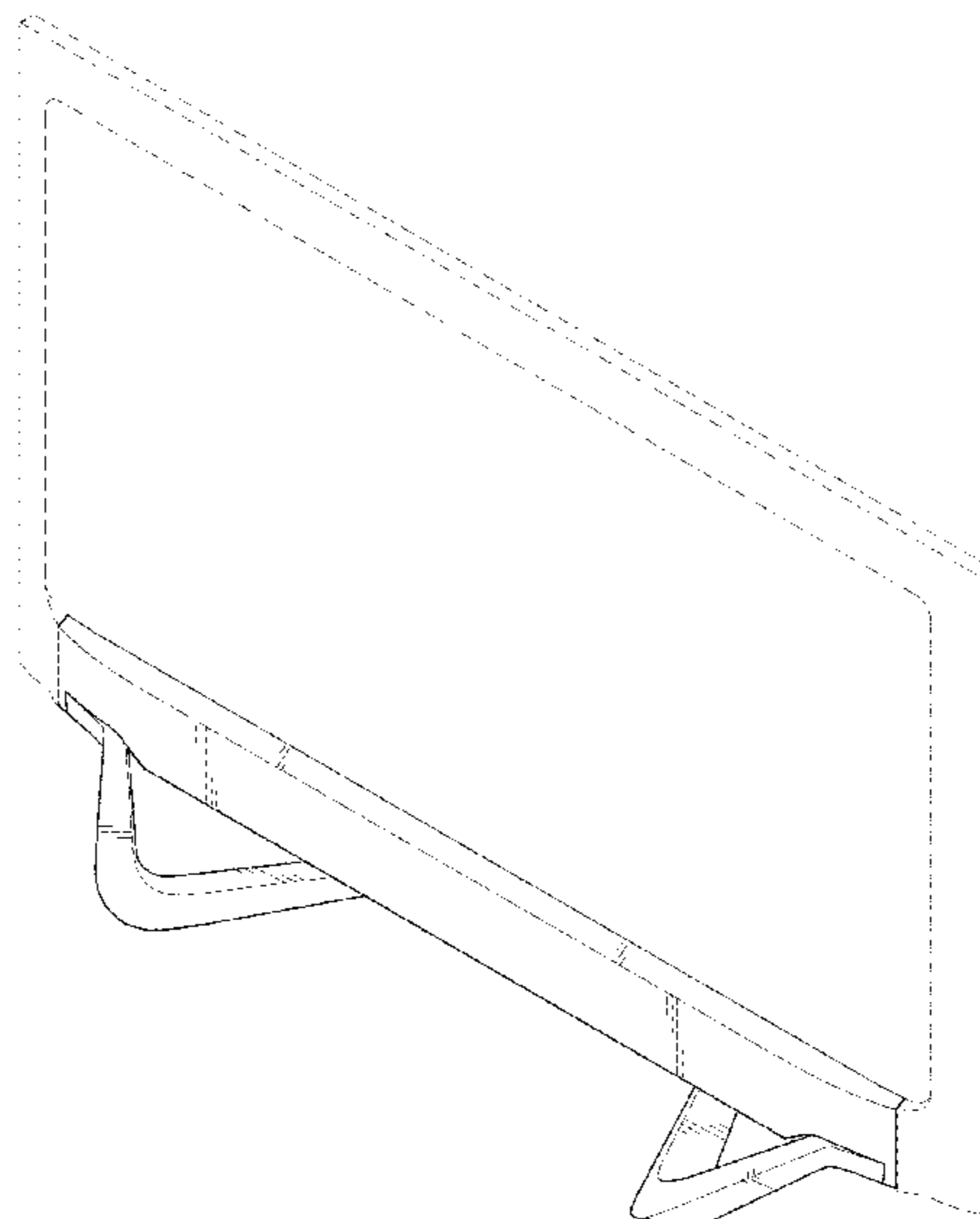


FIG. 1

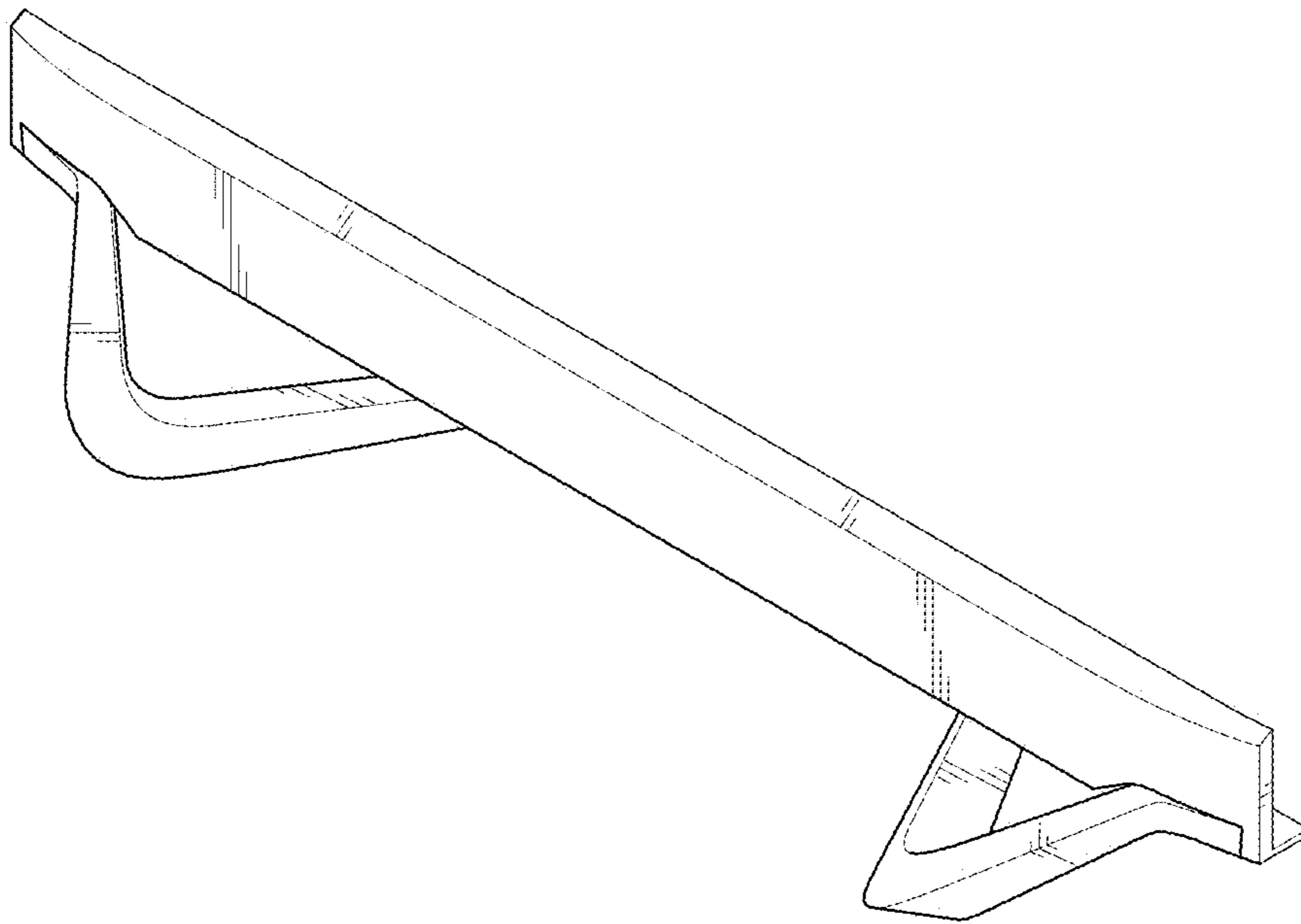


FIG. 2

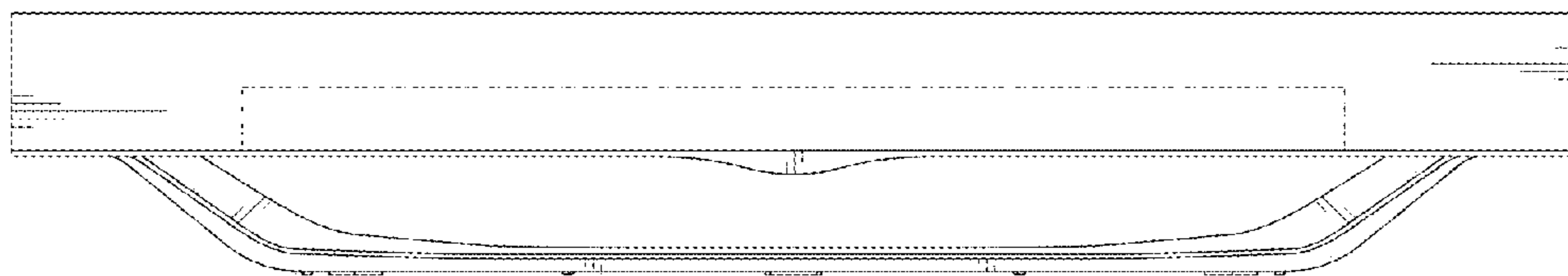


FIG. 3

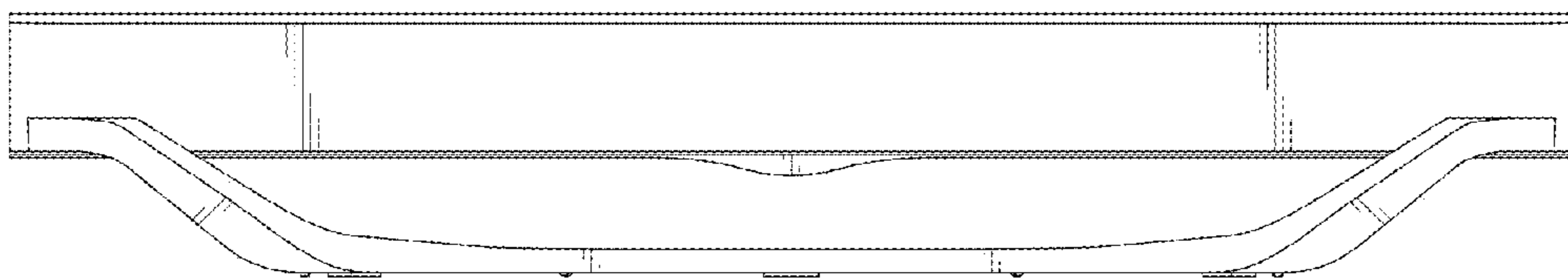


FIG. 4

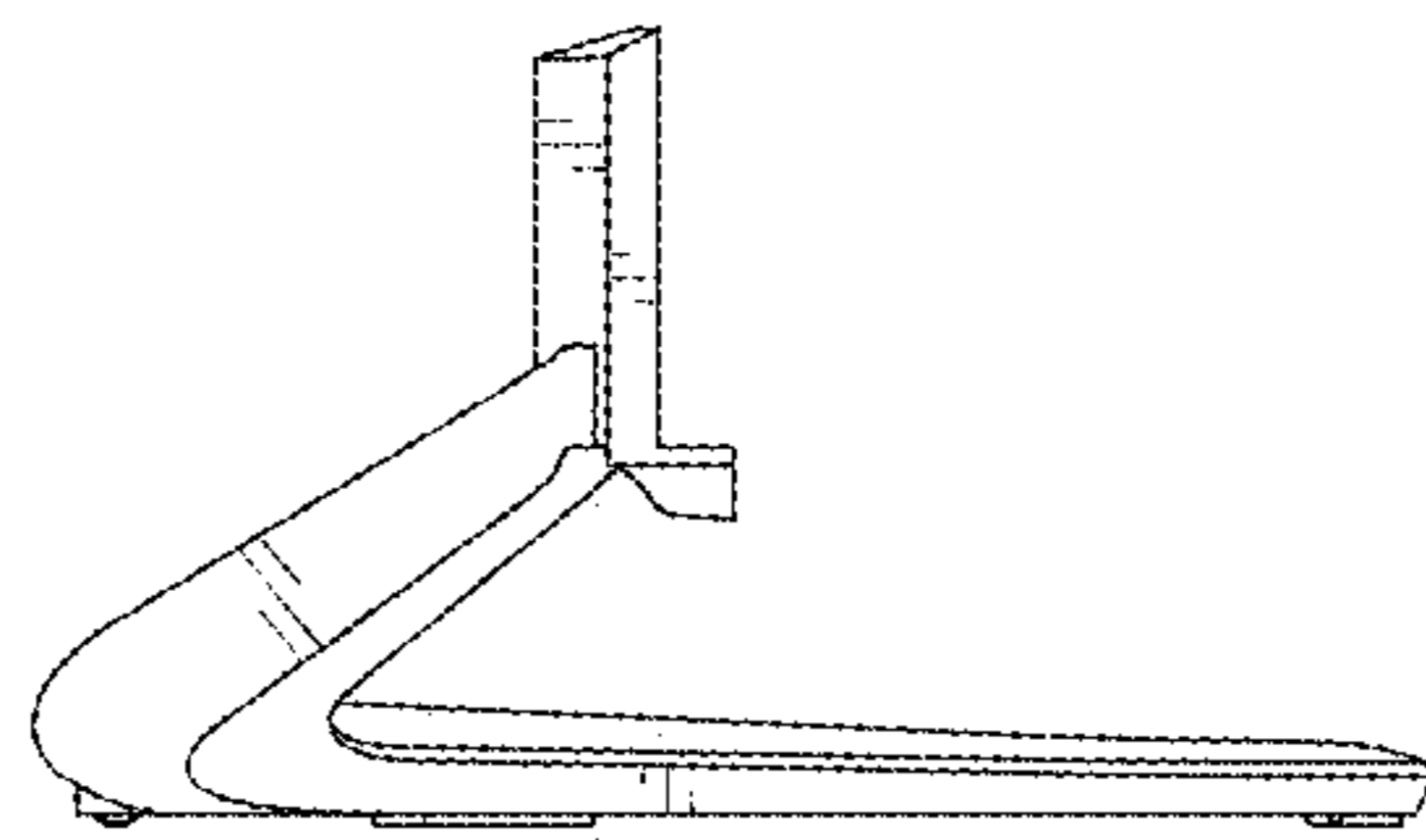


FIG. 5

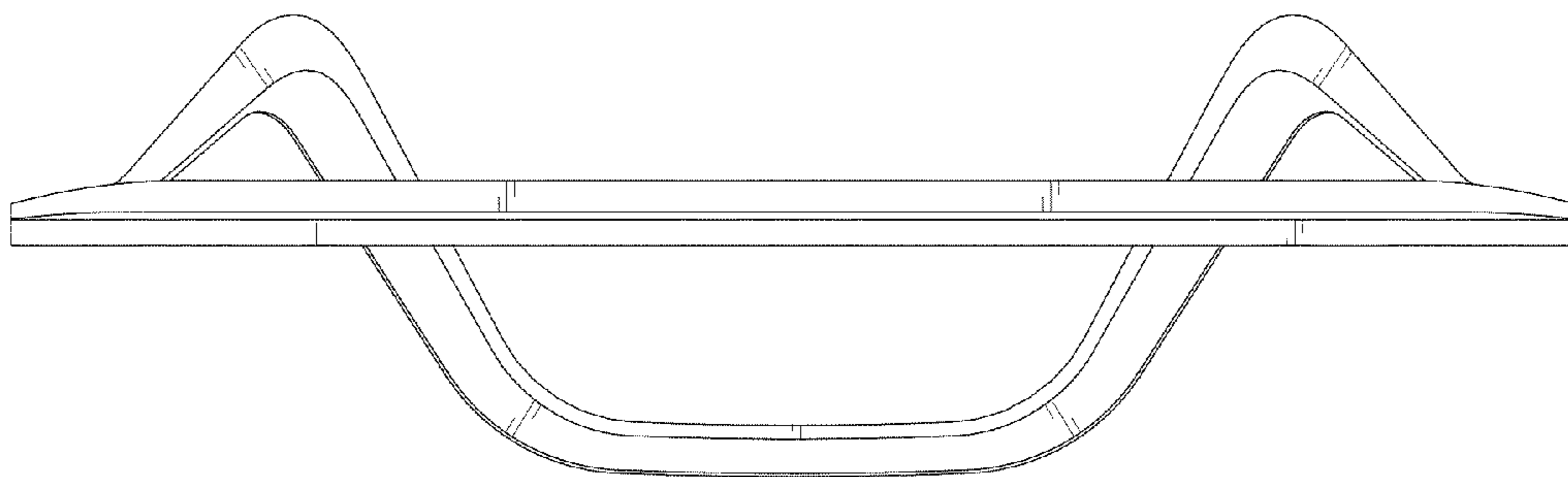


FIG. 6

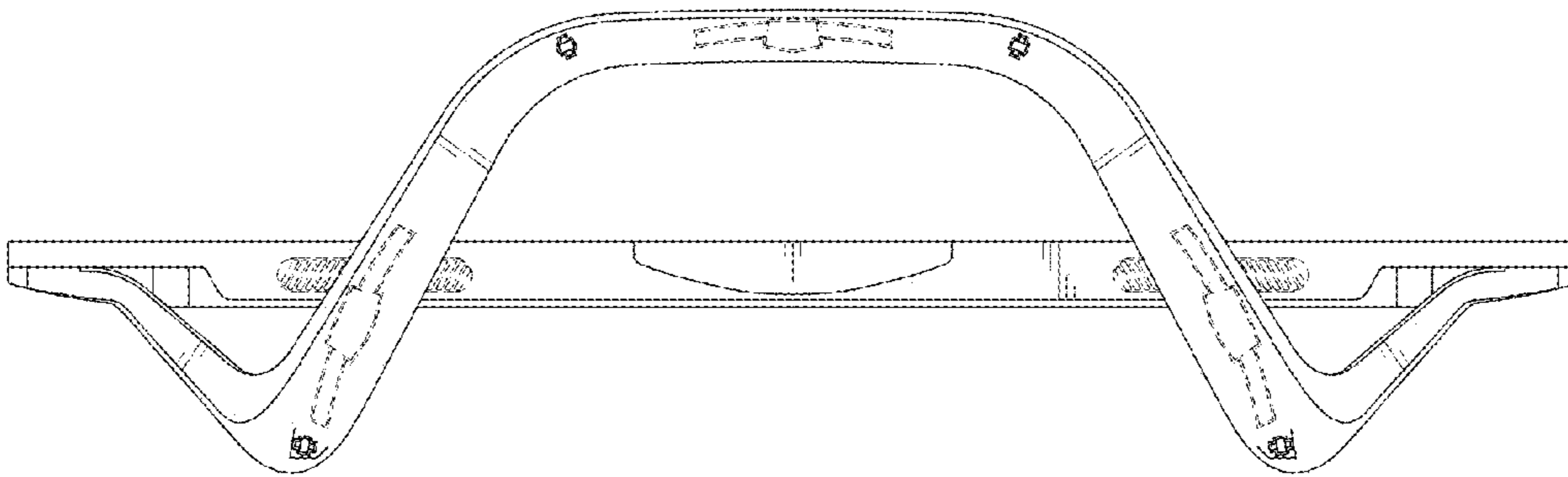


FIG. 7

