



US00D731496S

(12) **United States Design Patent**  
**Voorhees**

(10) **Patent No.:** **US D731,496 S**

(45) **Date of Patent:** **\*\* \*Jun. 9, 2015**

(54) **HUB FOR A RELOCATABLE SUPPORT SURFACE**

(76) Inventor: **Jeffrey C. Voorhees**, Burbank, CA (US)

(\*) Notice: This patent is subject to a terminal disclaimer.

(\*\*) Term: **14 Years**

(21) Appl. No.: **29/392,395**

(22) Filed: **May 20, 2011**

(51) **LOC (10) Cl.** ..... **08-07**

(52) **U.S. Cl.**  
USPC ..... **D14/447**

(58) **Field of Classification Search**

USPC ..... D14/447, 432, 433, 434, 439, 440, 451, D14/452, 457, 239, 251, 253, 217, 374, 375, D14/376, 377, 902, 216, 209.1, 204; D12/415, 416; D3/218, 274, 318, 321, D3/328; D6/406.3, 406.4; 190/117; 361/679.03, 679.09, 679.05, 679.26, 361/679.3, 679.55, 679.56, 679.27; 248/176.1, 917, 918, 919, 920, 921, 248/922, 923, 924, 682, 689, 690, 691, 692, 248/441.1, 444, 447, 451, 460, 463, 118, 248/118.5, 149, 150, 166, 434, 177.1; D10/113.4; D16/242, 244, 245; 108/42, 152

See application file for complete search history.

(56) **References Cited**

**U.S. PATENT DOCUMENTS**

D296,212 S \* 6/1988 Arney ..... D14/457  
D359,052 S \* 6/1995 Nagele et al. .... D14/253  
7,246,781 B2 \* 7/2007 Nam ..... 248/516  
D552,454 S \* 10/2007 Fynn ..... D8/363  
D563,693 S \* 3/2008 Calleja ..... D6/466  
D631,481 S \* 1/2011 Floersch et al. .... D14/451  
D637,586 S \* 5/2011 Lee ..... D14/239

D640,248 S \* 6/2011 Baumann et al. .... D14/253  
D652,836 S \* 1/2012 Voorhees ..... D14/447  
D660,306 S \* 5/2012 Voorhees ..... D14/447  
D663,972 S \* 7/2012 Alexander et al. .... D6/466  
2012/0068043 A1 \* 3/2012 Daigle et al. .... 248/682  
2012/0075799 A1 \* 3/2012 Pollex ..... 361/679.56

\* cited by examiner

*Primary Examiner* — Angela J Lee

(74) *Attorney, Agent, or Firm* — Buche & Associates, P.C.; John K. Buche

(57) **CLAIM**

The ornamental design for a hub for a relocatable support surface, as shown and described.

**DESCRIPTION**

FIG. 1 is a perspective view of a hub for a relocatable support surface.

FIG. 2 is a front view of the hub for a relocatable support surface of FIG. 1.

FIG. 3 is a back view of the hub for a relocatable support surface of FIG. 1.

FIG. 4 is a bottom view of the hub for a relocatable support surface of FIG. 1.

FIG. 5 is a top view of the hub for a relocatable support surface of FIG. 1.

FIG. 6 is a right side view of the hub for a relocatable support surface of FIG. 1.

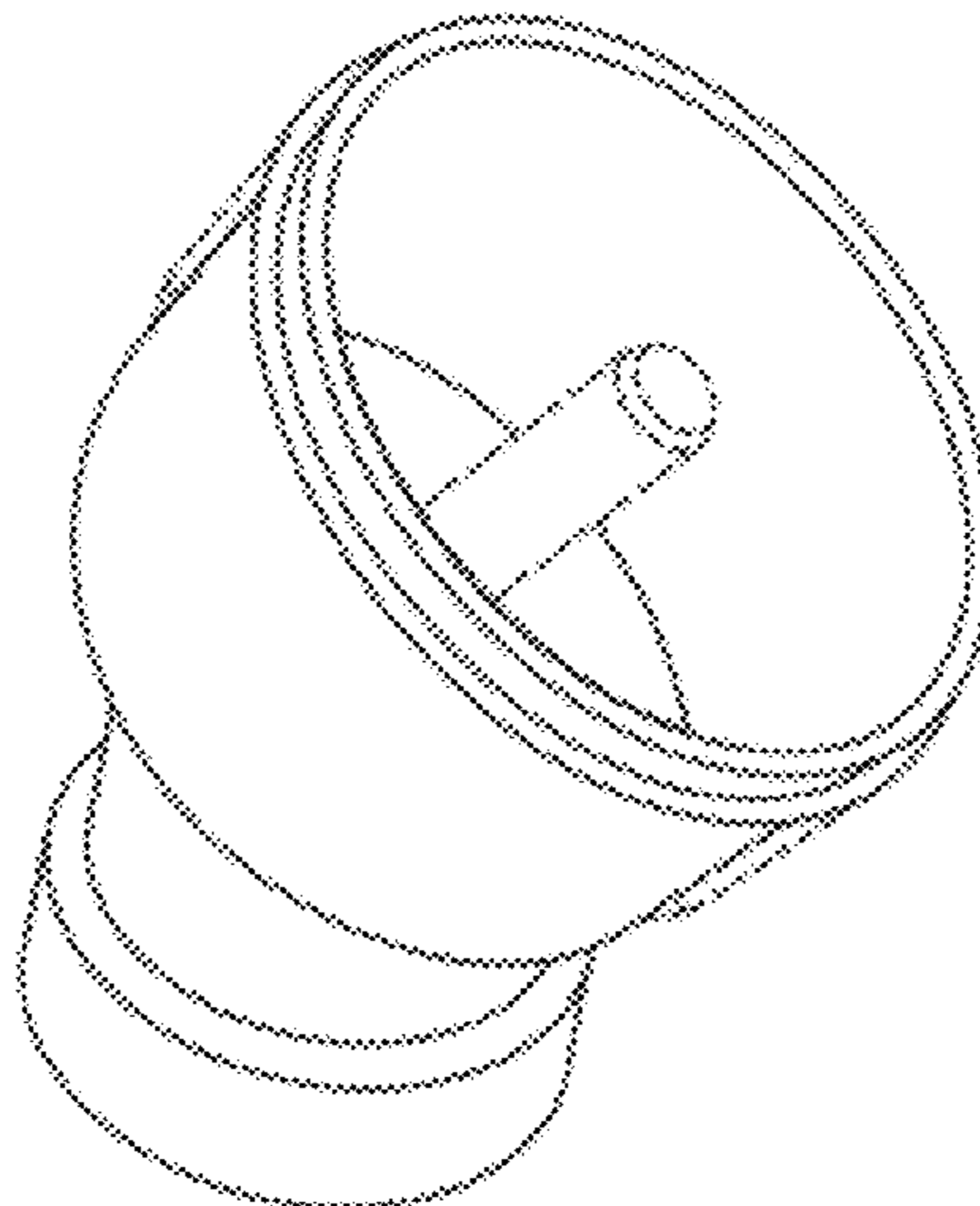
FIG. 7 is a left side view of the hub for a relocatable support surface of FIG. 1.

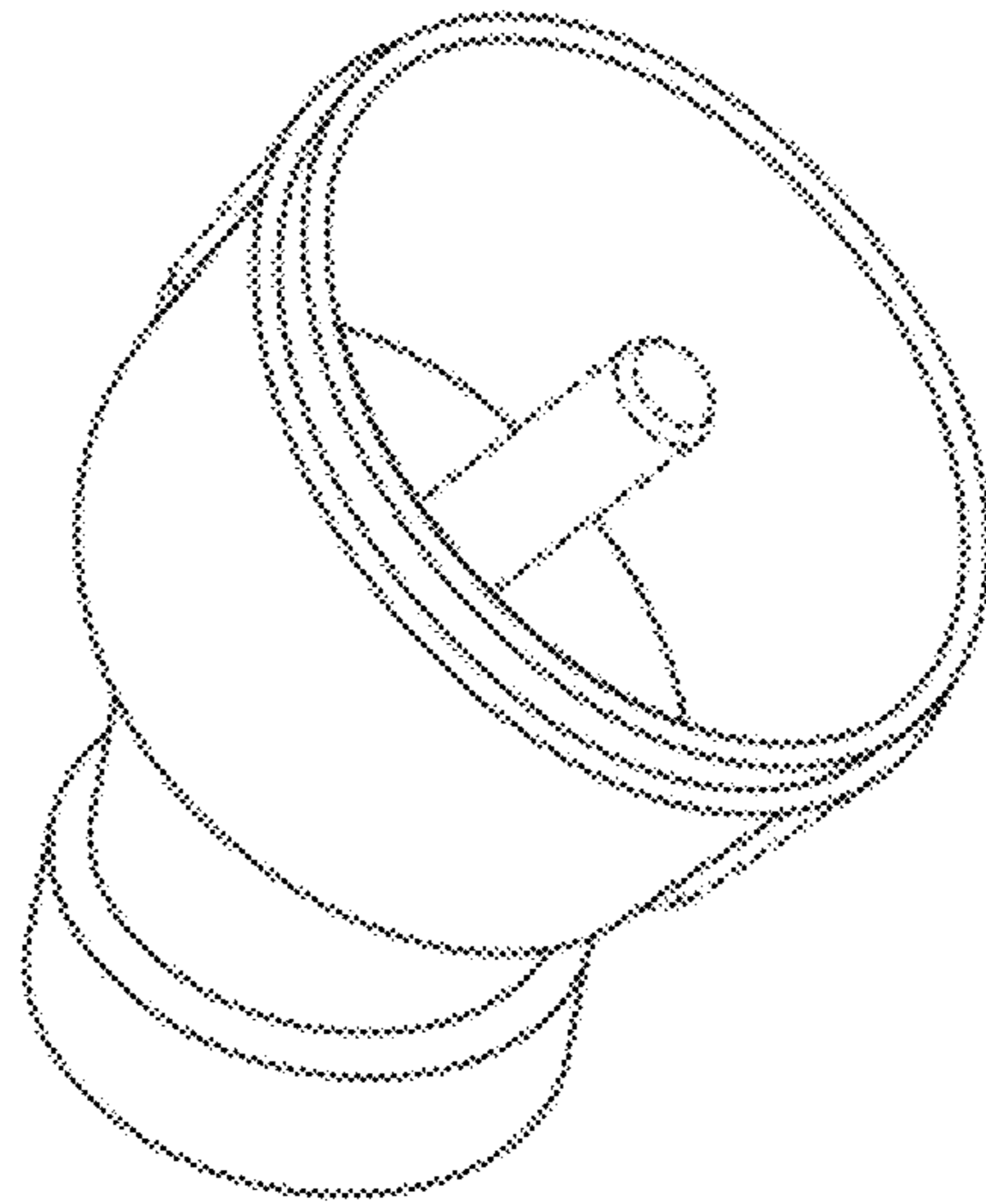
FIG. 8 an environmental view of the hub for a relocatable support surface of FIG. 1 wherein the hub is positioned on a desktop; and,

FIG. 9 is another environmental view of the hub for a relocatable support surface of FIG. 1, wherein the hub is mounted to a wall.

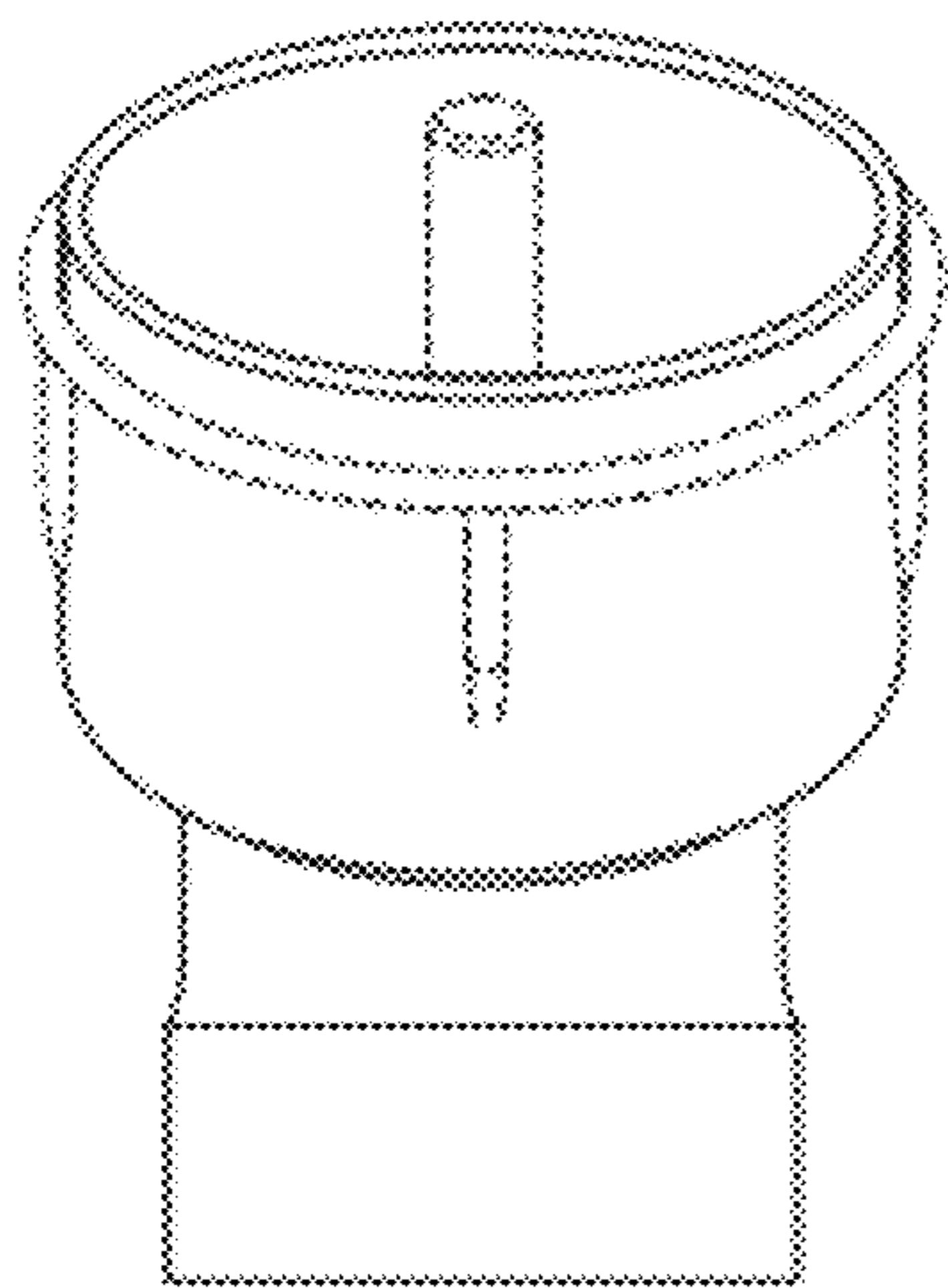
The broken lines shown in the drawings represent portions of the hub for a relocatable support surface and environment that form no part of the claimed design.

**1 Claim, 3 Drawing Sheets**

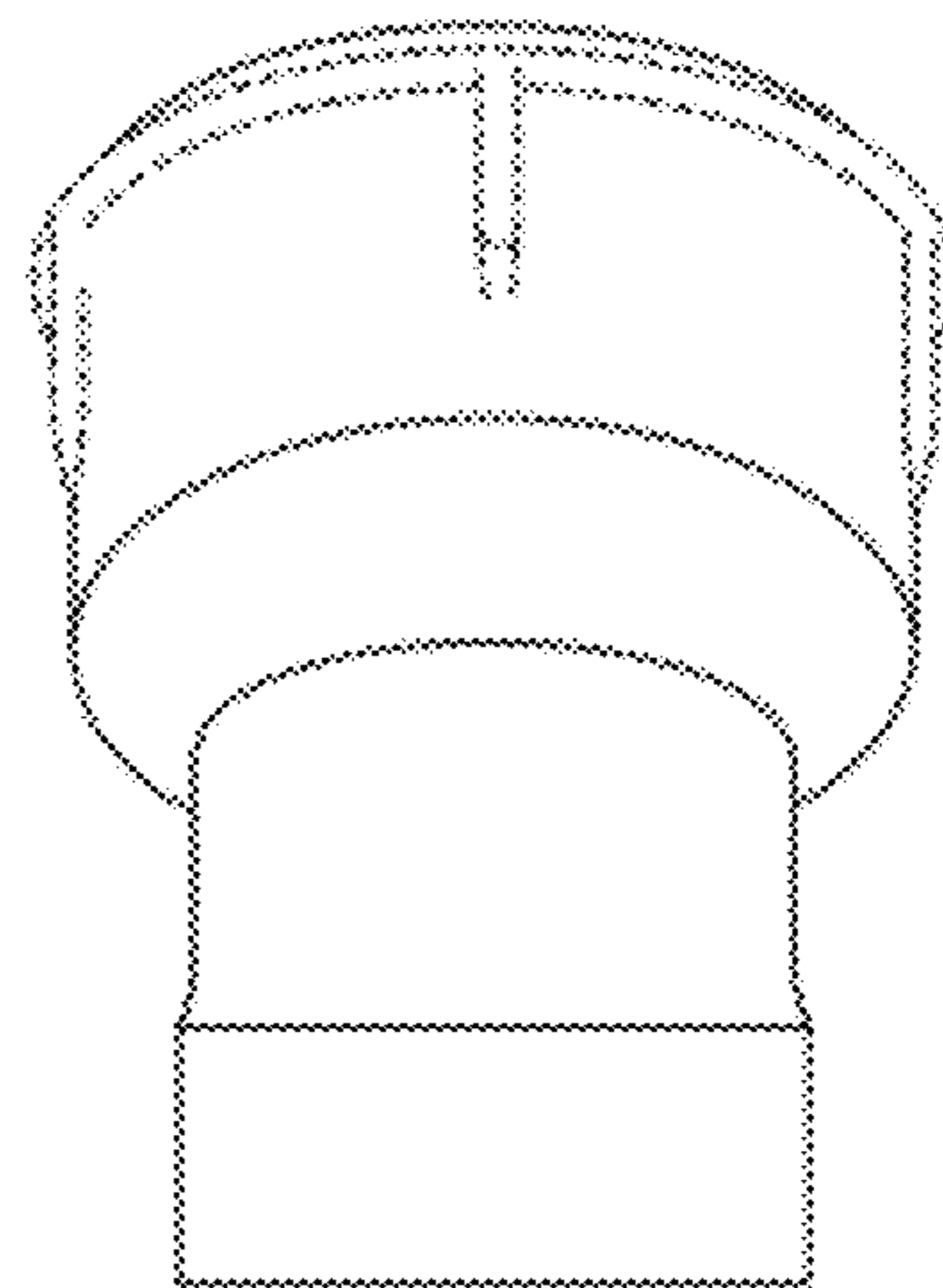




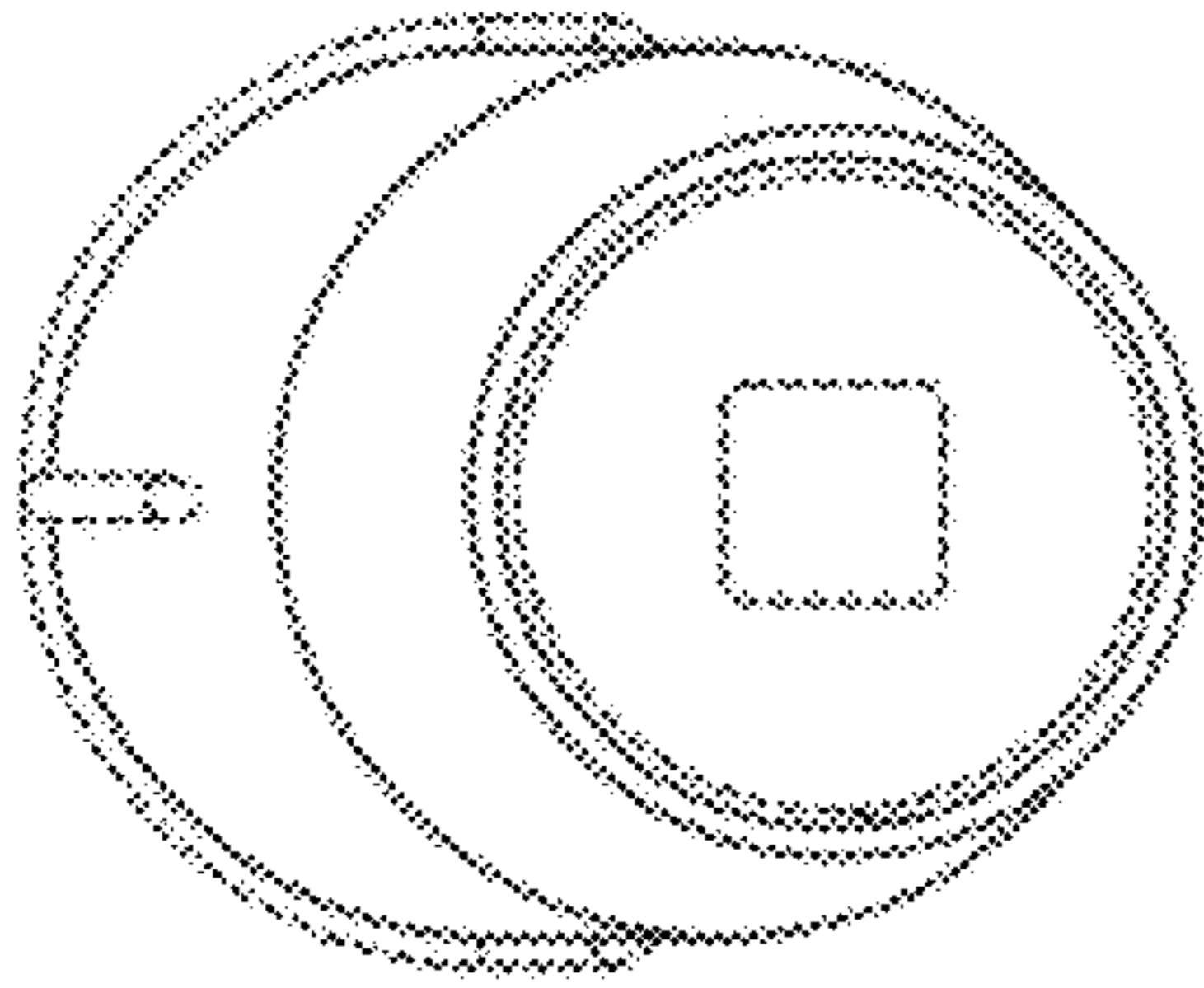
**FIG. 1**



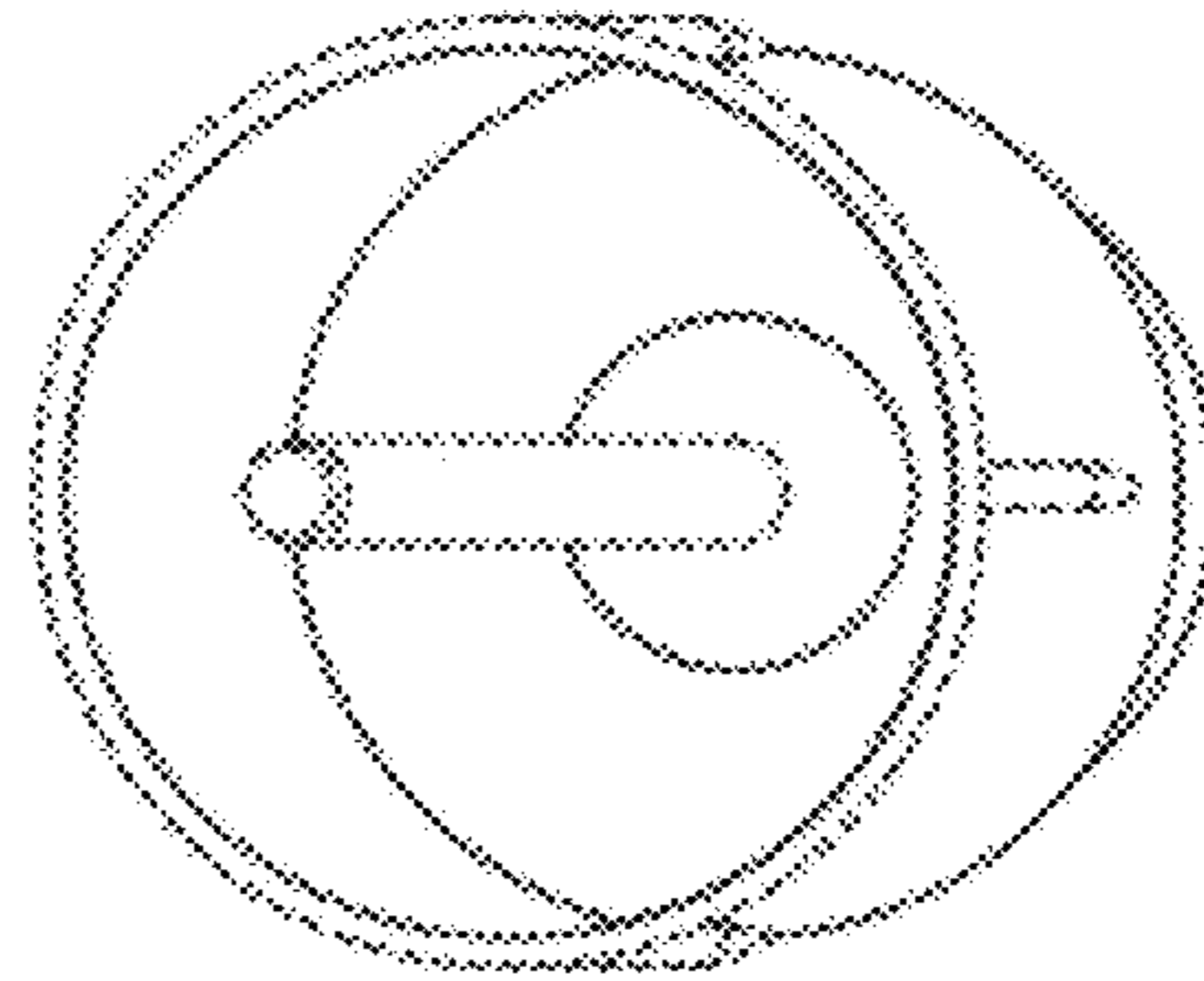
**FIG. 2**



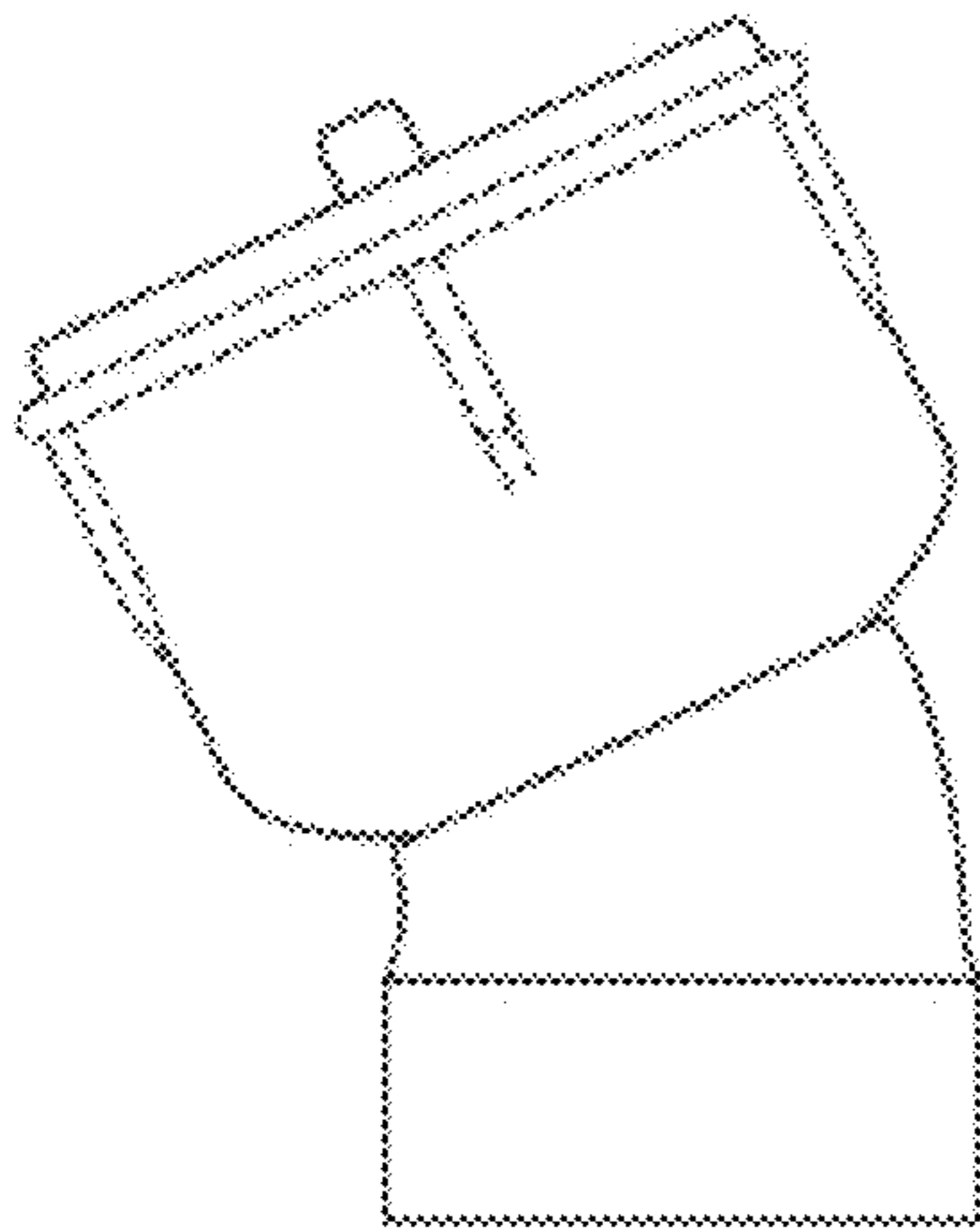
**FIG. 3**



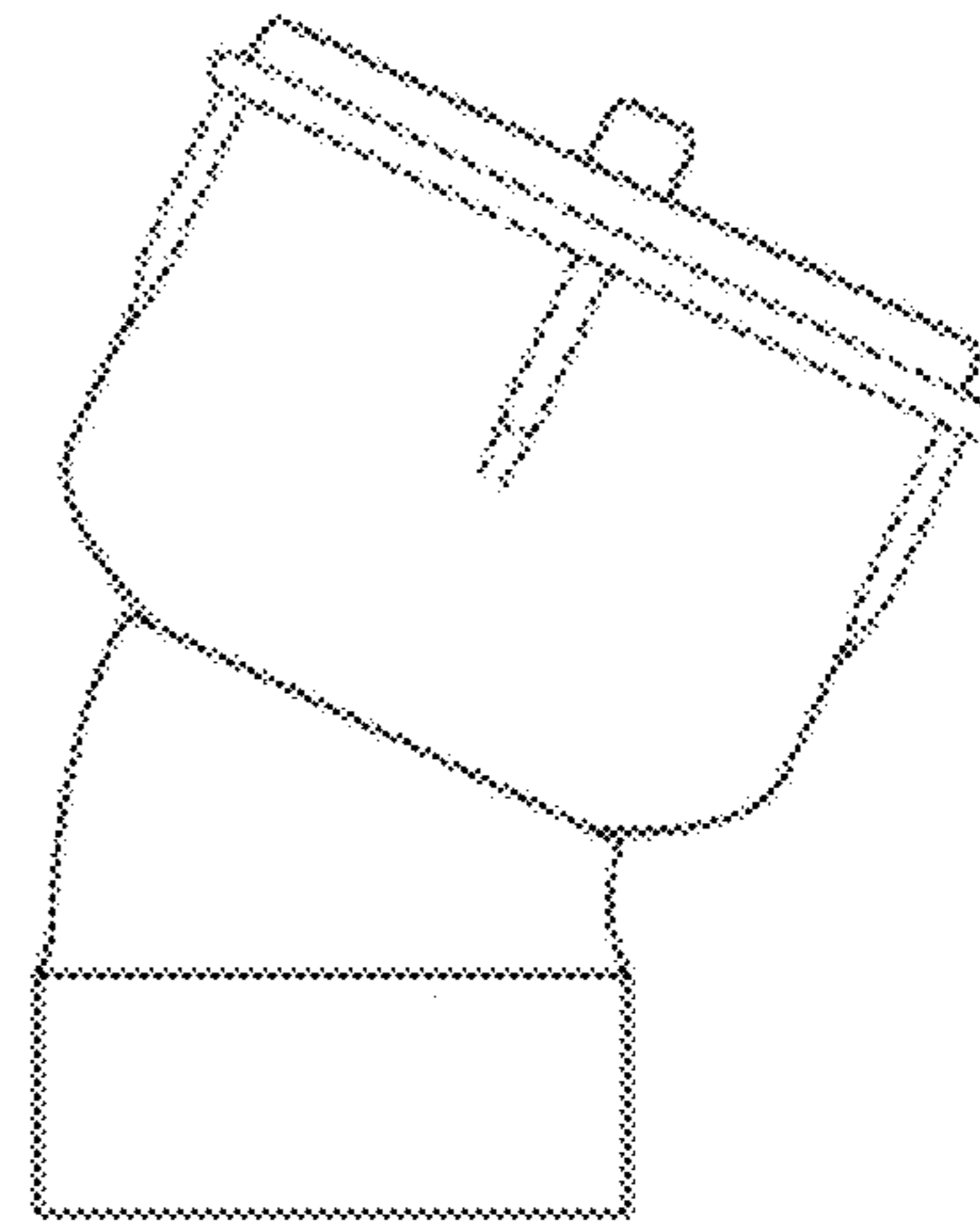
**FIG. 4**



**FIG. 5**



**FIG. 6**



**FIG. 7**

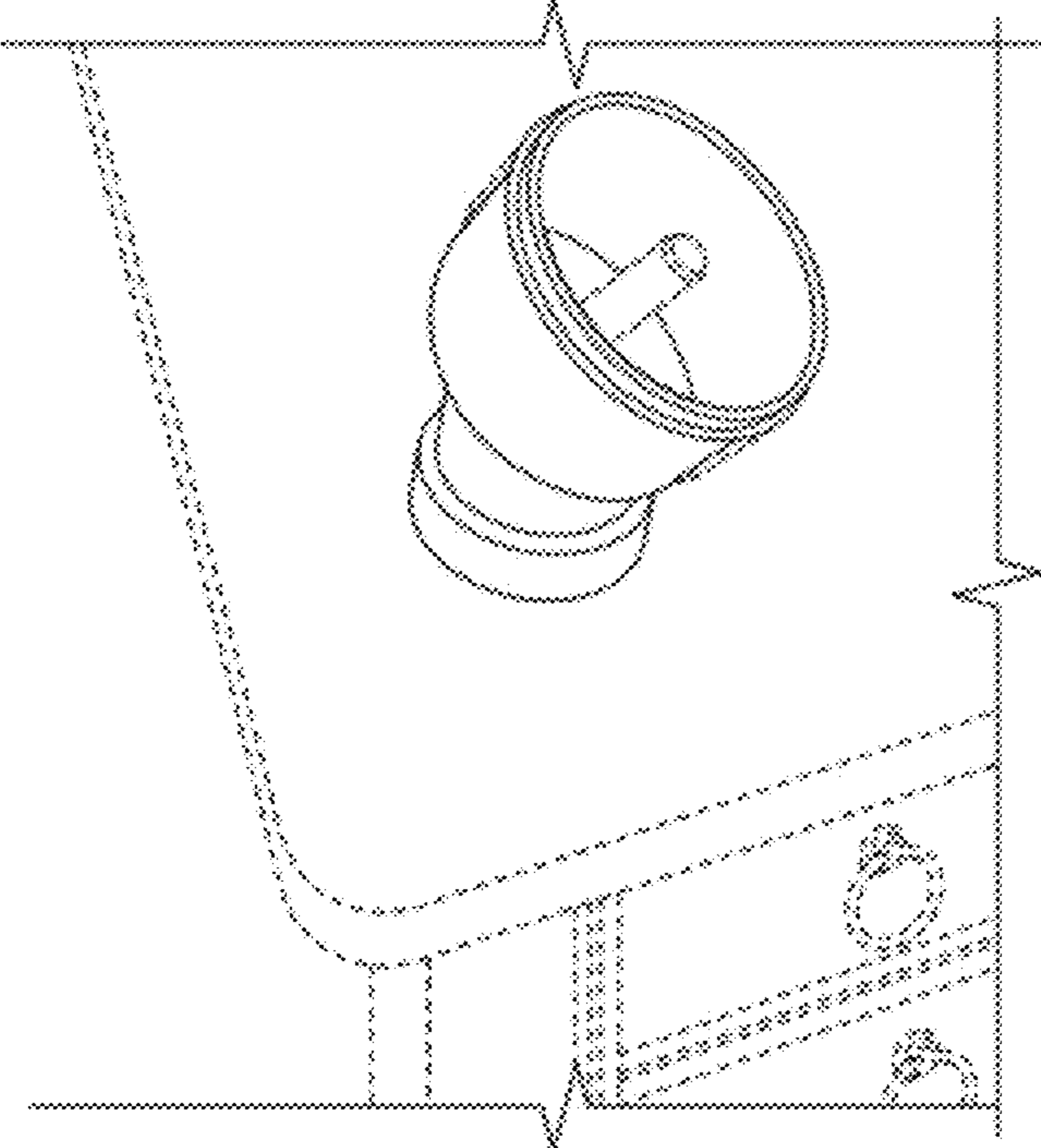


FIG. 8

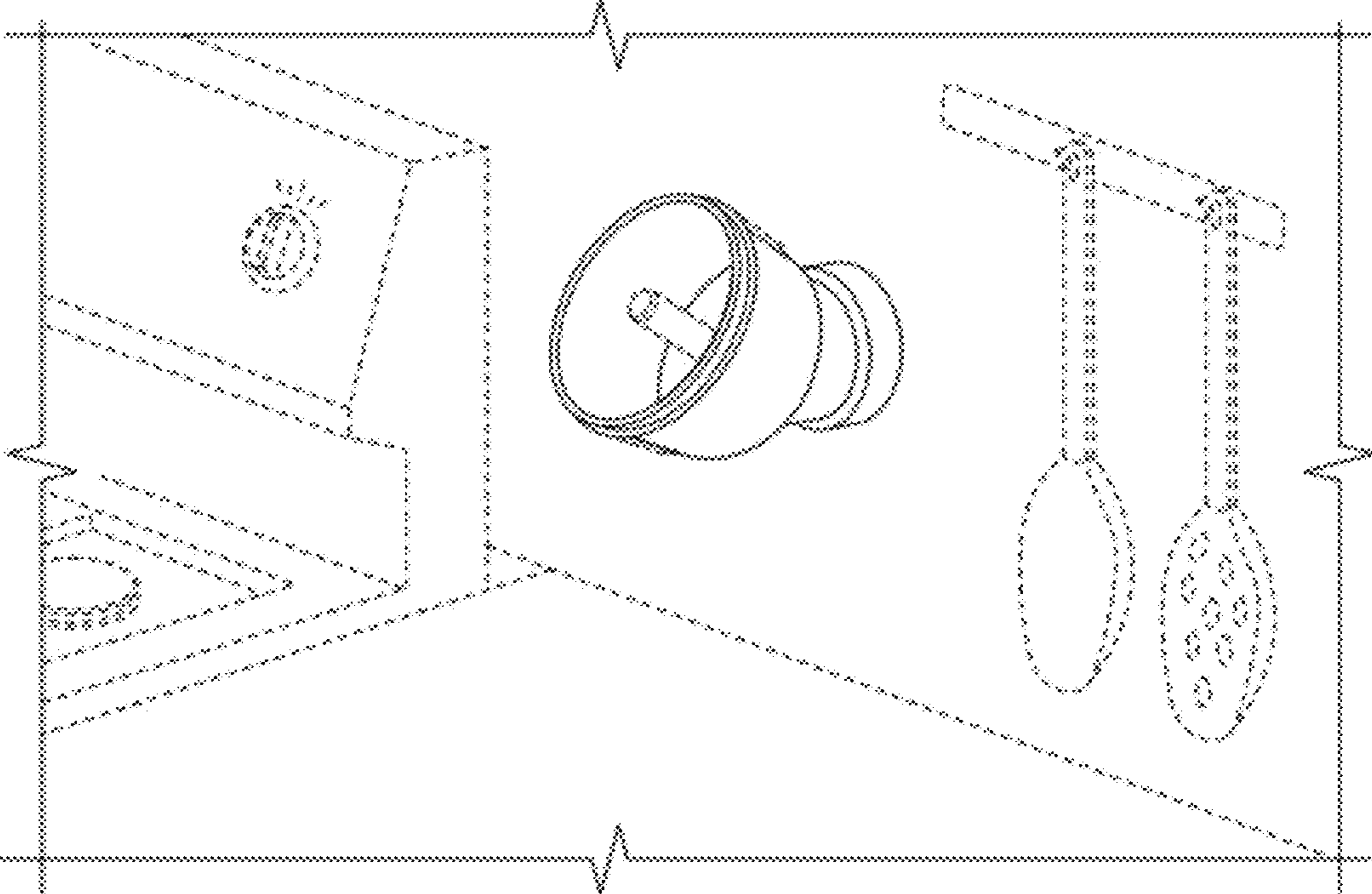


FIG. 9