



US00D731494S

(12) **United States Design Patent**
Barfoot et al.

(10) **Patent No.:** **US D731,494 S**
(45) **Date of Patent:** **** Jun. 9, 2015**

(54) **CASE FOR A TABLET**

(71) Applicant: **Magpul Industries Corporation**, Erie, CO (US)

(72) Inventors: **Grady Barfoot**, Denver, CO (US);
Michael T. Mayberry, Denver, CO (US); **Richard Fitzpatrick**, Longmont, CO (US)

(73) Assignee: **Magpul Industries Corporation**, Erie, CO (US)

(**) Term: **14 Years**

(21) Appl. No.: **29/477,407**

(22) Filed: **Dec. 20, 2013**

(51) **LOC (10) Cl.** **14-02**

(52) **U.S. Cl.**
USPC **D14/440**

(58) **Field of Classification Search**
USPC D14/250, 251, 253, 240, 217, 496, 440,
D14/203.3, 203.4, 203.5, 203.8, 341, 318;
D3/218, 215, 201, 294, 289, 900;
220/4.02; 248/309.1; 361/679.56;
379/426, 433.11, 455; 455/575.1,
455/575.8, 457.1; 190/100; 206/305, 320,
206/45.2; D21/469; 312/240
CPC ... G06F 1/1601; G06F 1/1626; G06F 1/1633;
G06F 1/1675; G06F 1/1679; G02F 1/1306;
G02F 1/133; G02F 1/133308; G02F 1/153;
G02F 1/1533; G02F 2001/133317; H04M
1/185; H04M 1/0252; H04B 1/3888
See application file for complete search history.

(56) **References Cited**

U.S. PATENT DOCUMENTS

D36,329 S * 5/1903 Sackman D5/53
D150,654 S 8/1948 Raphaels

5,360,108 A 11/1994 Alagia
D382,111 S 8/1997 Bardus
D389,158 S 1/1998 Oross
D419,297 S 1/2000 Richardson

(Continued)

OTHER PUBLICATIONS

Review_2014_Magpul_Bump_Case_for_iPhone_5-5s Review:
Magpul Bump Case for iPhone 5/5s, published on 03/19/201, URL:
<<http://www.ilounge.com/index.php/reviews/entry/magpul-bump-case-for-iphone-5-5s/>>, retrieved from internet on Sep. 5, 2014.

(Continued)

Primary Examiner — Cynthia Underwood
(74) *Attorney, Agent, or Firm* — Swanson & Bratschun, L.L.C.

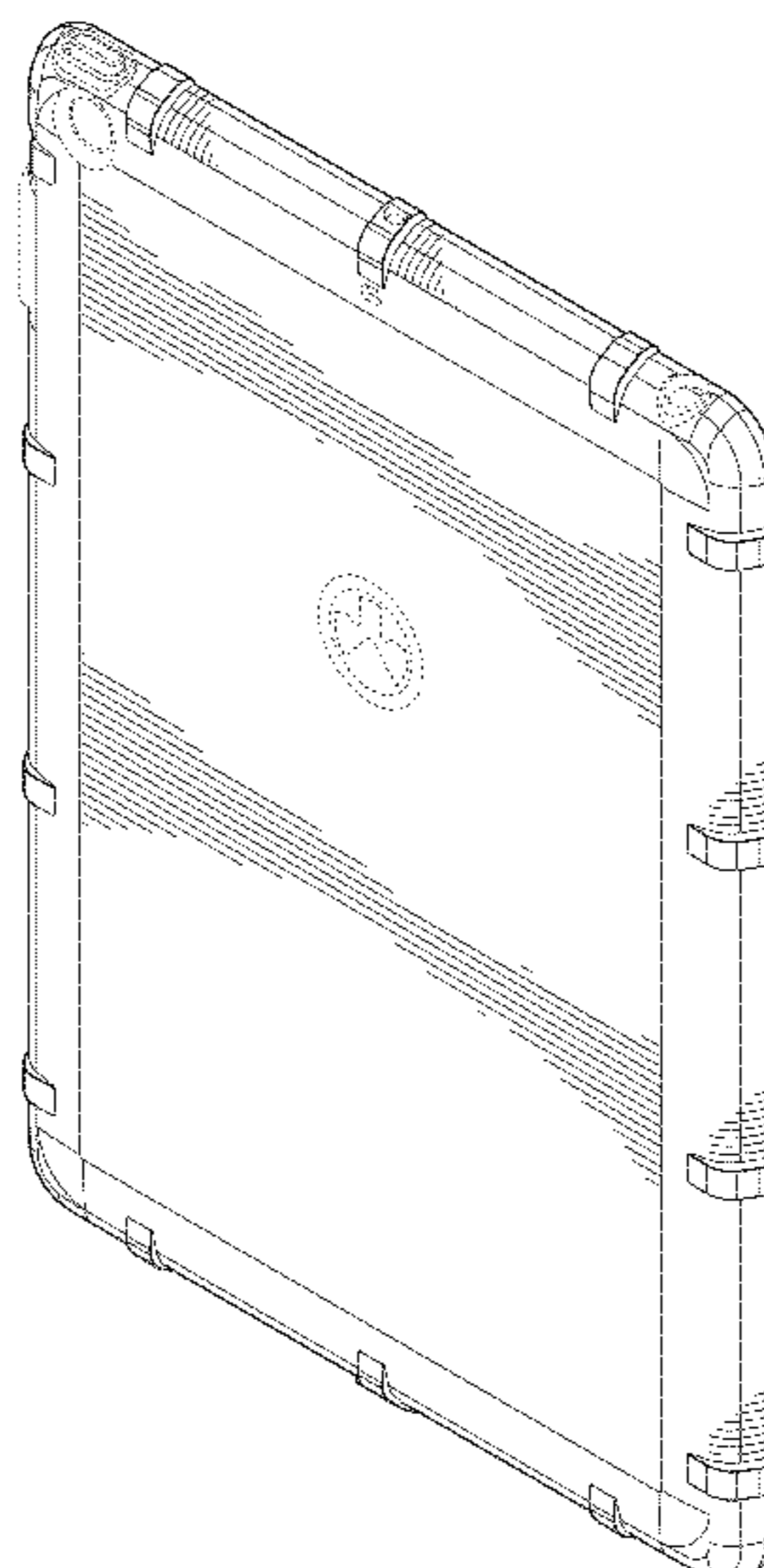
(57) **CLAIM**

The ornamental design for a case for a tablet, as shown and described.

DESCRIPTION

FIG. 1 is a front, top, right perspective view of a case for a tablet showing our new design with the tablet shown in broken lines;
FIG. 2 is a rear, top, left perspective view of the case of FIG. 1;
FIG. 3 is a front elevation view of the case of FIG. 1 with the tablet shown in broken lines;
FIG. 4 is a rear elevation view of the case of FIG. 1;
FIG. 5 is a top plan view of the case of FIG. 1;
FIG. 6 is a bottom plan view of the case of FIG. 1;
FIG. 7 is a left side elevation view of the case of FIG. 1; and,
FIG. 8 is a right side elevation view of the case of FIG. 1.
The broken lines are included for the purpose of illustrating environment and unclaimed features and form no part of the claimed design.

1 Claim, 6 Drawing Sheets



(56)

References Cited

U.S. PATENT DOCUMENTS

D419,767 S 2/2000 Richardson
 D419,768 S 2/2000 Richardson
 D422,787 S 4/2000 Feng
 D455,746 S 4/2002 Ronzani
 6,646,864 B2 11/2003 Richardson
 D488,810 S 4/2004 Lin et al.
 6,860,053 B2 3/2005 Christiansen
 D514,123 S 1/2006 Naruki
 D516,309 S 3/2006 Richardson
 D516,807 S 3/2006 Richardson
 D524,046 S 7/2006 Pangerc
 D528,110 S 9/2006 Cohn
 D530,079 S 10/2006 Thomas et al.
 7,158,376 B2 1/2007 Richardson
 D553,352 S 10/2007 Allen
 D556,681 S 12/2007 Kim
 D557,897 S 12/2007 Richardson et al.
 7,337,565 B2 3/2008 Tsutsumi et al.
 D575,056 S 8/2008 Tan
 D581,421 S 11/2008 Richardson
 D592,646 S 5/2009 Sun
 D593,319 S 6/2009 Richardson et al.
 D593,747 S 6/2009 Lissola et al.
 D598,407 S 8/2009 Richardson et al.
 D600,303 S 9/2009 Fitzpatrick
 D602,894 S 10/2009 Lepoultier
 D606,531 S 12/2009 Ferrari
 D606,533 S 12/2009 de Jong et al.
 D606,986 S 12/2009 de Jong et al.
 D607,444 S 1/2010 Ferrari
 D607,445 S 1/2010 Ferrari et al.
 D615,078 S 5/2010 Bradley
 D615,536 S 5/2010 Richardson
 D619,574 S 7/2010 Richardson
 D622,716 S 8/2010 Andre
 D623,180 S 9/2010 Diebel
 D623,640 S 9/2010 Freeman
 D625,698 S 10/2010 Miyazaki
 D626,540 S 11/2010 Brown
 D627,770 S 11/2010 Ferrari et al.
 D629,783 S 12/2010 Kim et al.
 7,859,222 B2 12/2010 Woud
 D633,164 S 2/2011 Fitzpatrick
 D633,589 S 3/2011 Fitzpatrick et al.
 D634,313 S 3/2011 Fitzpatrick et al.
 D635,555 S 4/2011 Giles
 D636,836 S 4/2011 Fitzpatrick et al.
 D637,592 S 5/2011 Magness
 D638,006 S 5/2011 Chang
 D638,007 S 5/2011 Chang
 D638,830 S 5/2011 Magness
 D642,647 S 8/2011 Fitzpatrick
 D643,029 S 8/2011 Feng
 D643,401 S 8/2011 Chen et al.
 D643,433 S 8/2011 Hsieh
 D644,215 S * 8/2011 Dong D14/250
 D648,332 S * 11/2011 Kim et al. D14/248
 D650,371 S 12/2011 Wibby
 D651,202 S 12/2011 Fathollahi
 D651,203 S 12/2011 Michie
 D654,483 S 2/2012 Richardson et al.
 D655,281 S 3/2012 Turocy
 D662,925 S 7/2012 Mayberry et al.
 D671,932 S 12/2012 Azoulay
 D673,159 S 12/2012 McCarthy et al.
 D674,792 S * 1/2013 Magness D14/250
 D679,685 S 4/2013 Cox
 D679,698 S 4/2013 Murchison et al.
 D681,622 S * 5/2013 Melanson et al. D14/250

D682,815 S 5/2013 Chang
 D683,723 S 6/2013 Murchison et al.
 D685,357 S * 7/2013 Rekuc et al. D14/250
 D691,122 S 10/2013 Bau
 D691,142 S * 10/2013 Diebel D14/440
 D693,823 S * 11/2013 Chen et al. D14/440
 8,584,847 B2 11/2013 Tages et al.
 D694,759 S 12/2013 Chang et al.
 D696,257 S 12/2013 Ward et al.
 D702,803 S 4/2014 Barfoot et al.
 D706,256 S 6/2014 Ward et al.
 D706,272 S * 6/2014 Poon D14/440
 D709,510 S 7/2014 Soare
 D713,832 S * 9/2014 Fathollahi D14/250
 D718,294 S 11/2014 Barfoot et al.
 D718,756 S 12/2014 Barfoot et al.
 D718,759 S 12/2014 Barfoot et al.
 2010/0008028 A1 * 1/2010 Richardson et al. 361/679.01
 2010/0089779 A1 4/2010 Bowers
 2010/0104814 A1 4/2010 Richardson et al.
 2010/0224519 A1 9/2010 Kao
 2010/0251590 A1 10/2010 Fitzpatrick
 2012/0261289 A1 10/2012 Wyner et al.
 2012/0321294 A1 12/2012 Tages et al.
 2014/0194167 A1 7/2014 Grimes
 2014/0215878 A1 8/2014 Fitzpatrick et al.

OTHER PUBLICATIONS

Case-mate CMO11706 Medley Cover for iPhone 4, <URL:http://www.daydeal.com/product.php?productid=46501&cat=4974>, retrieved from internet Nov. 4, 2010.
 iLounge.com Review Magpul iPhone4 Case 2011_06_29 Review of Magpul Executive Field Case for iPhone 4 by Nick Guy published on Jun. 29, 2011, <URL:http://www.ilounge.com/index.php/reviews/entry/magpul-executive-field-case-for-iphone-4/>, retrieved from internet on Mar. 25, 2012.
 Incipio IPH-539 Bombproof Silicone Case for iPhone 4, URL:http://www.daydeal.com/product.php?productid=47512&cat=4974>, retrieved from internet Nov. 4, 2010.
 Pearce Grip 1998 Shooting Industry Ad v43_p21 Pearce Grip, advertisement (Nov. 1998) Shooting Industry 43(11):21 Publishers Development Corp., San Diego, CA USA.
 Store MagpuL2012_03_3LExec Field Case iPhone4 Magpul Executive Field Case—I Phone 4/4S, <URL:http://store.magpul.com/product/MAG450/125>, retrieved from internet on Mar. 31, 2012.
 Design U.S. Appl. No. 29/452,374, filed Apr. 16, 2013, “Case for a Smart Phone” by Barfoot.
 Design U.S. Appl. No. 29/460,398, filed Jul. 10, 2013, “Case for a Tablet” by Barfoot.
 Design U.S. Appl. No. 29/461,400, filed Jul. 23, 2013, “Case for a Smart Phone” by Fitzpatrick.
 Design U.S. Appl. No. 29/462,944, filed Aug. 9, 2013, “Smart Phone Case with Interior Design” by Barfoot.
 WayBack Machine 201L06_12_MagpuUPhone4_Case Internet Archive WayBack Machine showing earliest capture of Executive Field Case—iPhone 4 (productIMAG450/125) on Magpul website on Jun. 12, 2011, <URL:http://web.archive.org/web/20110612024247/http://store.magpul.com/product!_MAG450/125>, retrieved from internet on Mar. 31, 2012.
 Policestore.com 2012_03_25 Flat Dark Earth iPhone3GS_Case Policestore.com (Mar. 25, 2012) Flat Dark Earth iPhone3GS Filed Case; Website [Online] Available Web Site: <URL:http://www.policestore.com/.aspx/sid=78673/pid=42016/Color_1008=Black/ProductiMAGPUL-IPHONE-CASES?mc_id=p1503&srch=1>, retrieved from internet on Mar. 25, 2012.

* cited by examiner

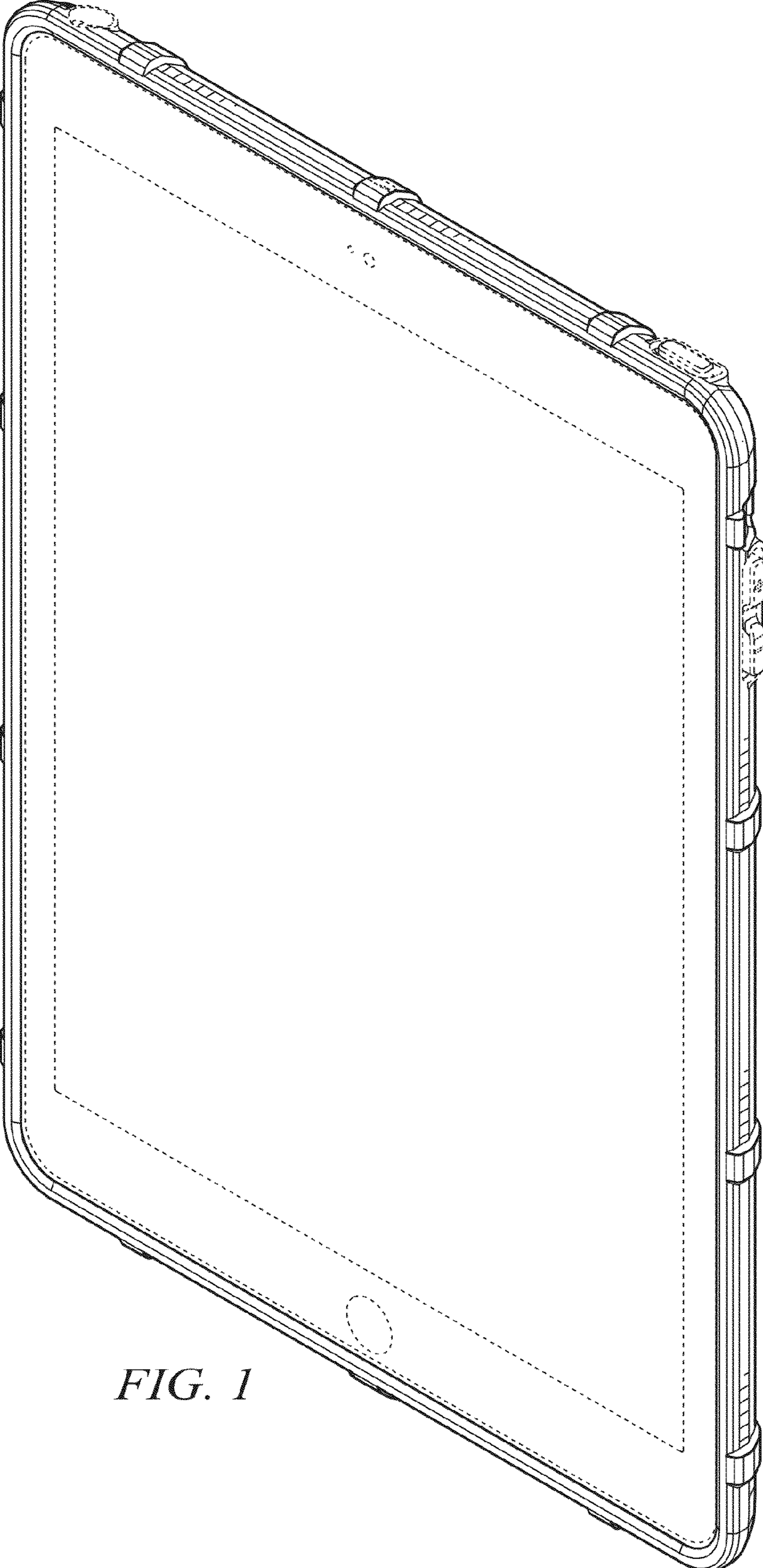


FIG. 1

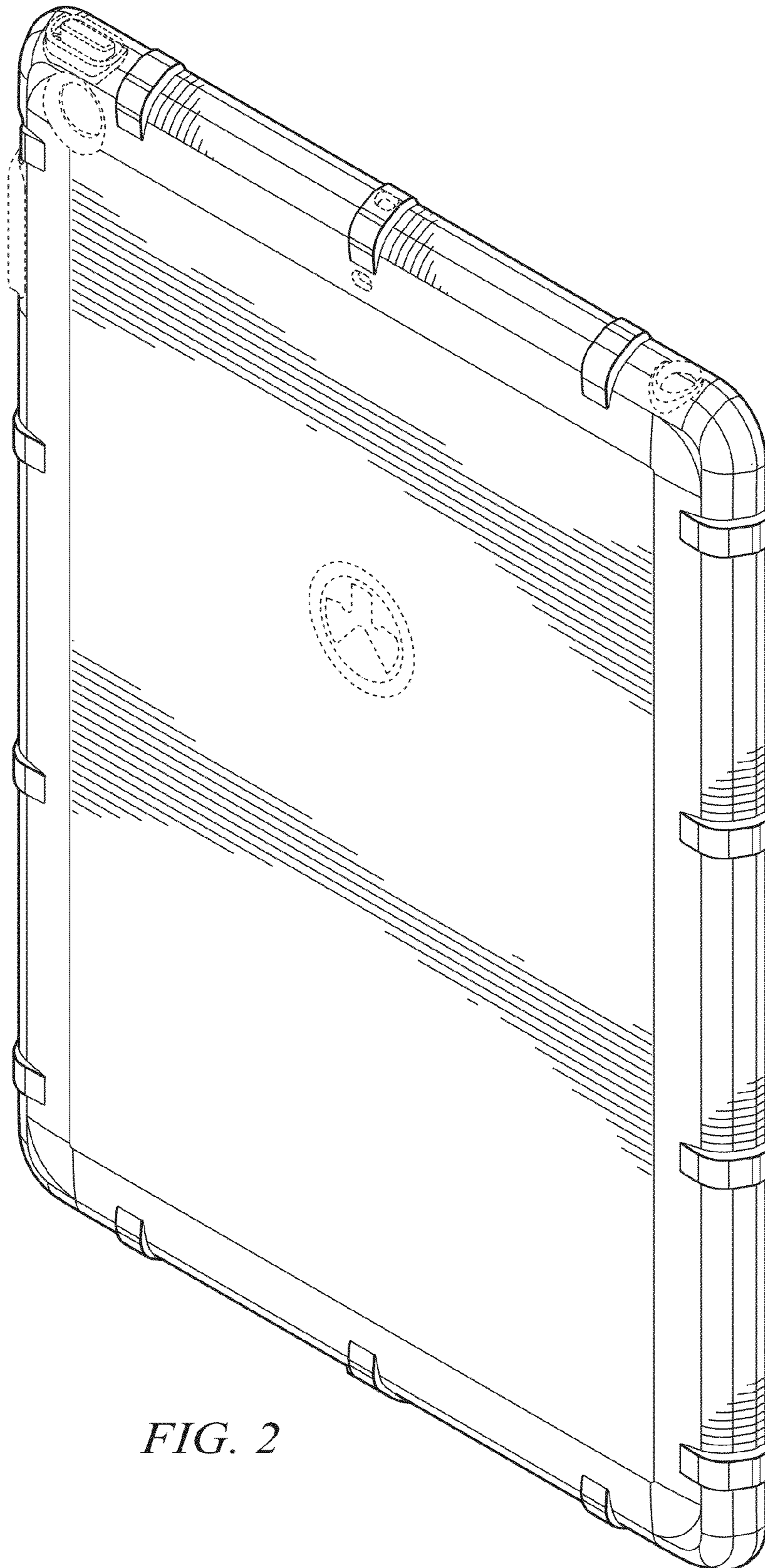


FIG. 2

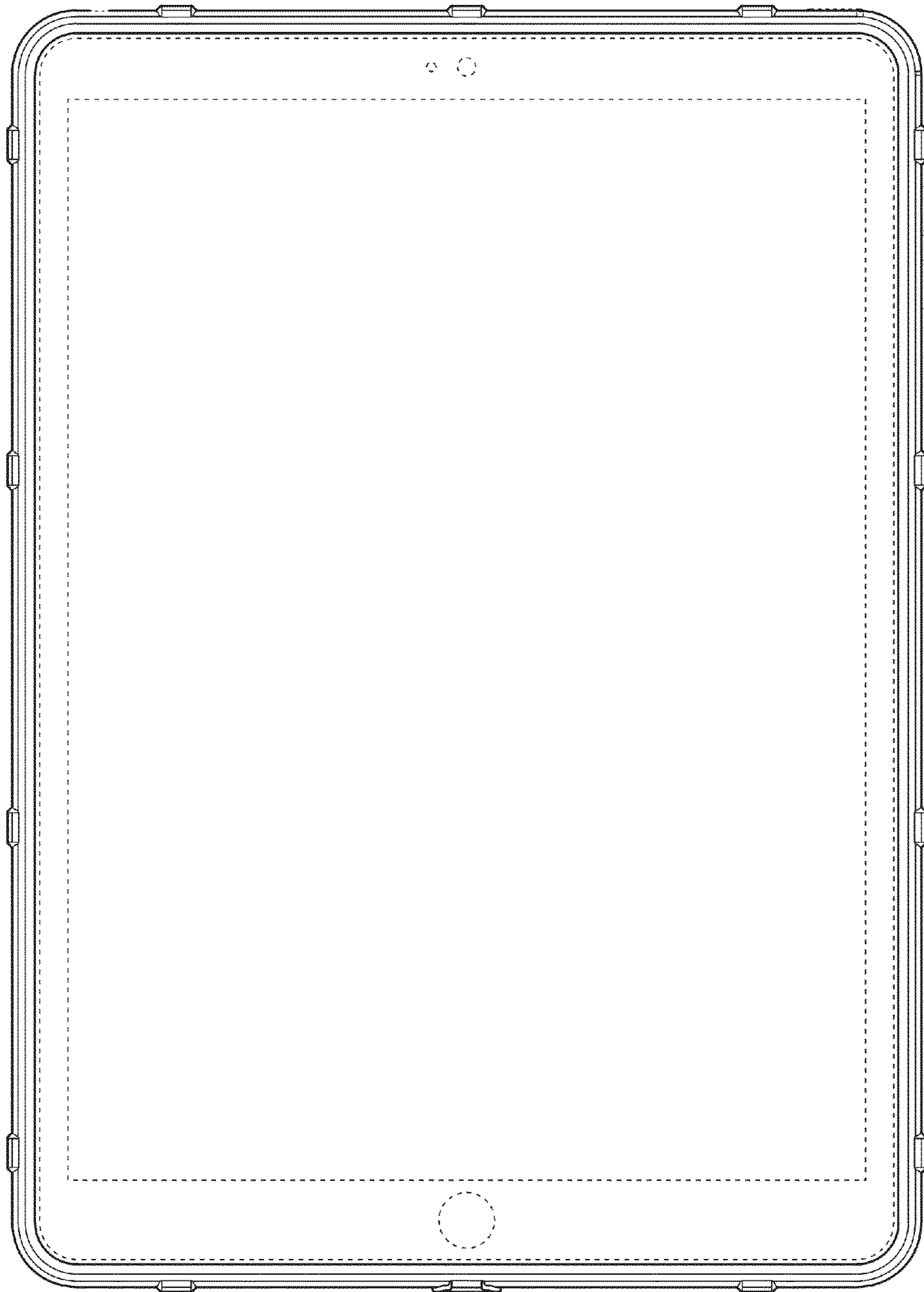


FIG. 3

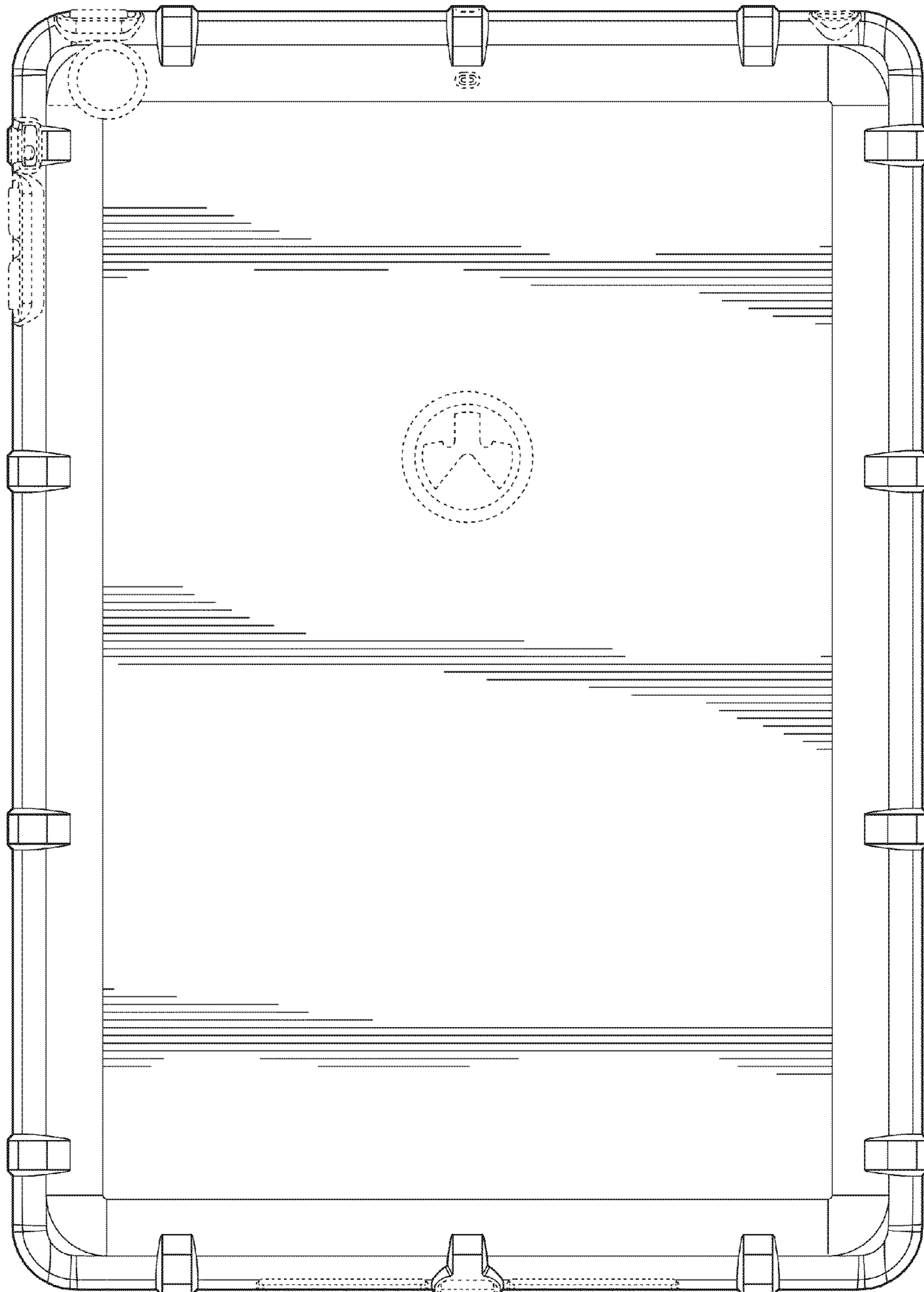


FIG. 4

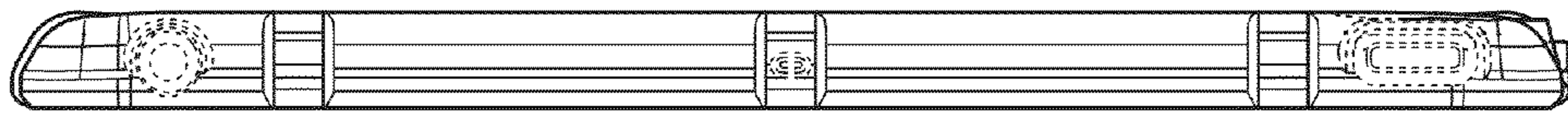


FIG. 5

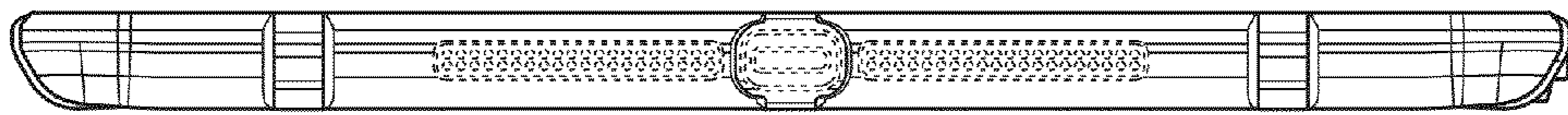


FIG. 6



FIG. 7

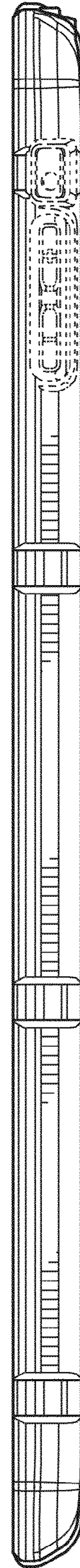


FIG. 8