



US00D731491S

(12) **United States Design Patent**
Larson et al.

(10) **Patent No.:** **US D731,491 S**
(45) **Date of Patent:** **** Jun. 9, 2015**

(54) **EMBEDDED CELLULAR MODEM**

(71) Applicant: **NimbeLink L.L.C.**, Plymouth, MN (US)

(72) Inventors: **Kurt T. Larson**, Plymouth, MN (US);
Christopher J. Elmquist, Mahtomedi,
MN (US)

(73) Assignee: **NimbeLink L.L.C.**, Plymouth, MN (US)

(**) Term: **14 Years**

(21) Appl. No.: **29/481,573**

(22) Filed: **Feb. 7, 2014**

(51) **LOC (10) Cl.** **14-02**

(52) **U.S. Cl.**
USPC **D14/435**

(58) **Field of Classification Search**
USPC 2/DIG. 6; 5/417, 419-420, 465,
5/632-634; 108/43; 248/118, 118.1,
248/118.3, 118.5, 205.2, 346, 346.01,
248/346.07, 346.1, 438, 633, 918; 273/338,
273/438, DIG. 30; 297/218.1, 228.12, 352,
297/377, 440.1, 440.11, 440.15, 452.1,
297/452.16; 312/208.1-208.4, 223.2, 322;
340/710; 345/163, 173; 360/69, 97.02;
361/679.33-679.45; 400/412,
400/713-715; 428/137-138, 140, 304.4,
428/457; 442/9; D3/273; D6/201, 204,
D6/429-431, 449, 474, 509-510; D9/432;
D10/65, 75, 78; D13/103, 119, 162,
D13/184, 199; D14/110, 114, 125, 240,
D14/242, 299-302, 314, 348-370, 435-438,
D14/496, 478-480; D18/1, 7, 9, 11
CPC G06K 19/06196; G06K 19/072; G06K
19/0721; G06K 19/0722; G06K 19/0723;
G06K 19/0724; G06K 19/0725; G06K
19/0726; G06K 19/0727; G06K 19/0728;
G06K 19/073; G06K 19/07309; G06K 19/077;
G06K 19/07701; G06K 19/07715; G06K
19/0772; G06K 19/07724; G06K 19/07726;
G06K 19/07728; G06F 21/77-21/80; G06F
21/85-21/88; G06F 21/00; G06Q 20/3229;

G06Q 20/34; G06Q 20/341; G06Q 20/346;
G06Q 20/349; G06Q 20/3563; G06Q 20/3567;
G06Q 20/357; G06Q 20/3576; H05K 5/026;
H05K 5/0256; H05K 5/0265; H05K 5/0269;
H05K 5/0273; H05K 5/0278; H05K 5/0282;
H05K 5/0286; H05K 5/0291; H05K 5/0295;
H05K 5/03; H05K 5/04; H05K 5/06; H05K
5/061; H05K 5/062; H05K 5/063; H05K
5/064; H05K 5/065; H05K 5/066; H05K
5/067; H05K 5/068; H05K 5/069; H05K 7/00;
H05K 7/005; H05K 7/02; H05K 7/023; H05K
7/026; H05K 7/04; H05K 7/10; H05K 7/1418;
H05K 7/142; H05K 7/1424; H05K
7/1427-7/1439; H05K 7/1461; H05K
7/1464-7/1474; H05K 7/1479; H05K 7/1481;
H05K 7/1485-7/1488; H05K 2201/09745;
H05K 2201/09754; H05K 2201/09763; H05K
2201/09772; H05K 2201/098; H05K
2201/09818; H05K 2201/10; H05K
2201/10007; H04N 2201/216

See application file for complete search history.

(56)

References Cited

U.S. PATENT DOCUMENTS

D206,327 S * 11/1966 Keys D13/182
3,602,846 A * 8/1971 Hauser 333/140
3,762,039 A * 10/1973 Douglass et al. 29/827
3,825,876 A * 7/1974 Damon et al. 439/70
3,846,734 A * 11/1974 Pauza et al. 439/70
4,218,724 A * 8/1980 Kaufman 361/736
D260,091 S * 8/1981 Mochizuki et al. D13/182
D261,760 S * 11/1981 Dlugos D14/438
D286,053 S * 10/1986 McDaniel et al. D14/438
4,630,174 A * 12/1986 Kaufman 361/713
D288,557 S * 3/1987 Du Bois D13/182
D288,922 S * 3/1987 Olla D13/182
4,663,833 A * 5/1987 Tanaka et al. 438/65
D316,848 S * 5/1991 Hasegawa et al. D13/182
D317,300 S * 6/1991 Hasegawa et al. D13/182
D318,271 S * 7/1991 Hasegawa et al. D13/182
D320,212 S * 9/1991 Someya D14/242
5,221,859 A * 6/1993 Kobayashi et al. 257/676
D345,731 S * 4/1994 Owens et al. D13/182
5,369,551 A * 11/1994 Gore et al. 361/767
D357,462 S * 4/1995 Terasawa et al. D13/182
D357,671 S * 4/1995 Terasawa et al. D13/182
D357,672 S * 4/1995 Terasawa et al. D13/182

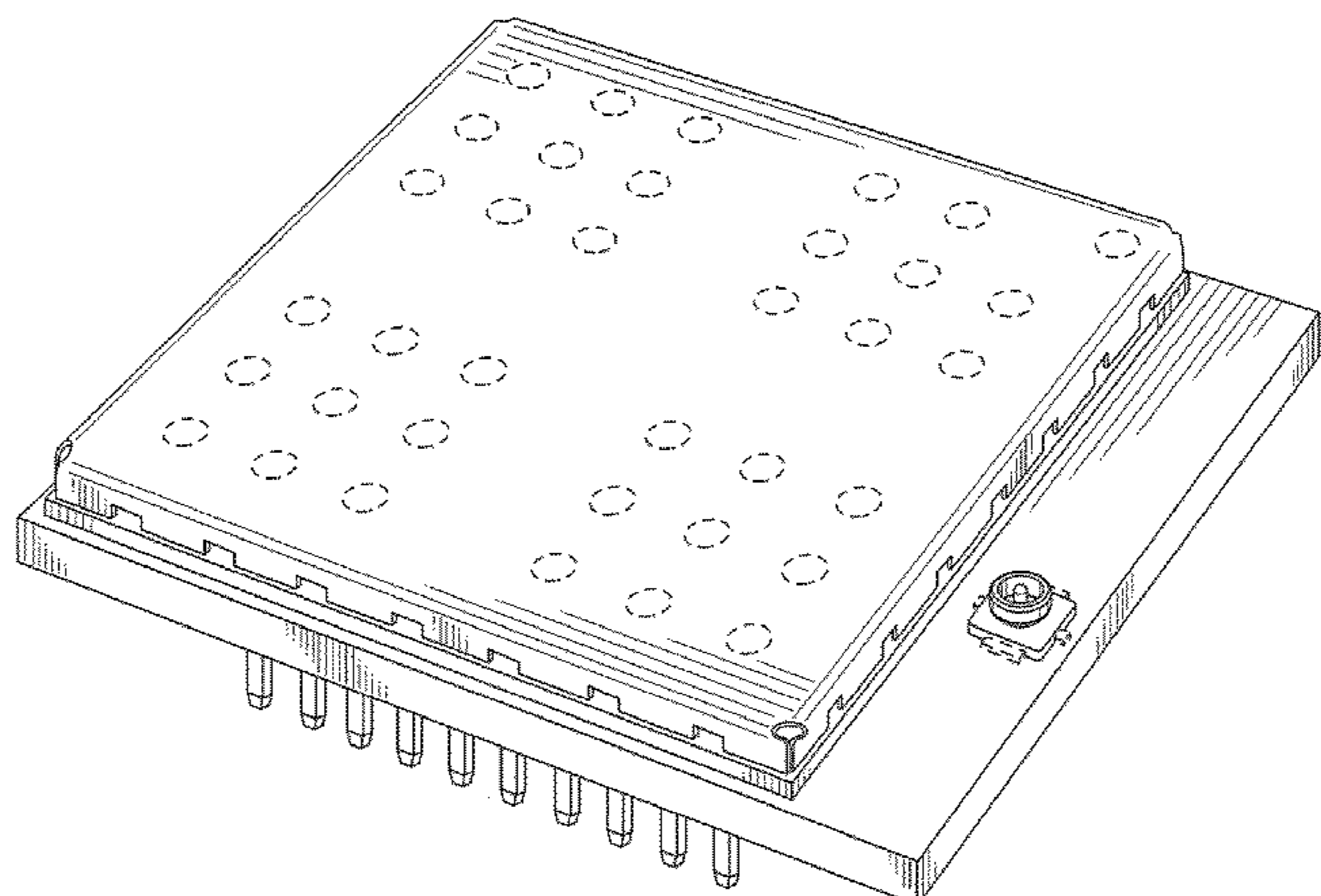


Fig. 1

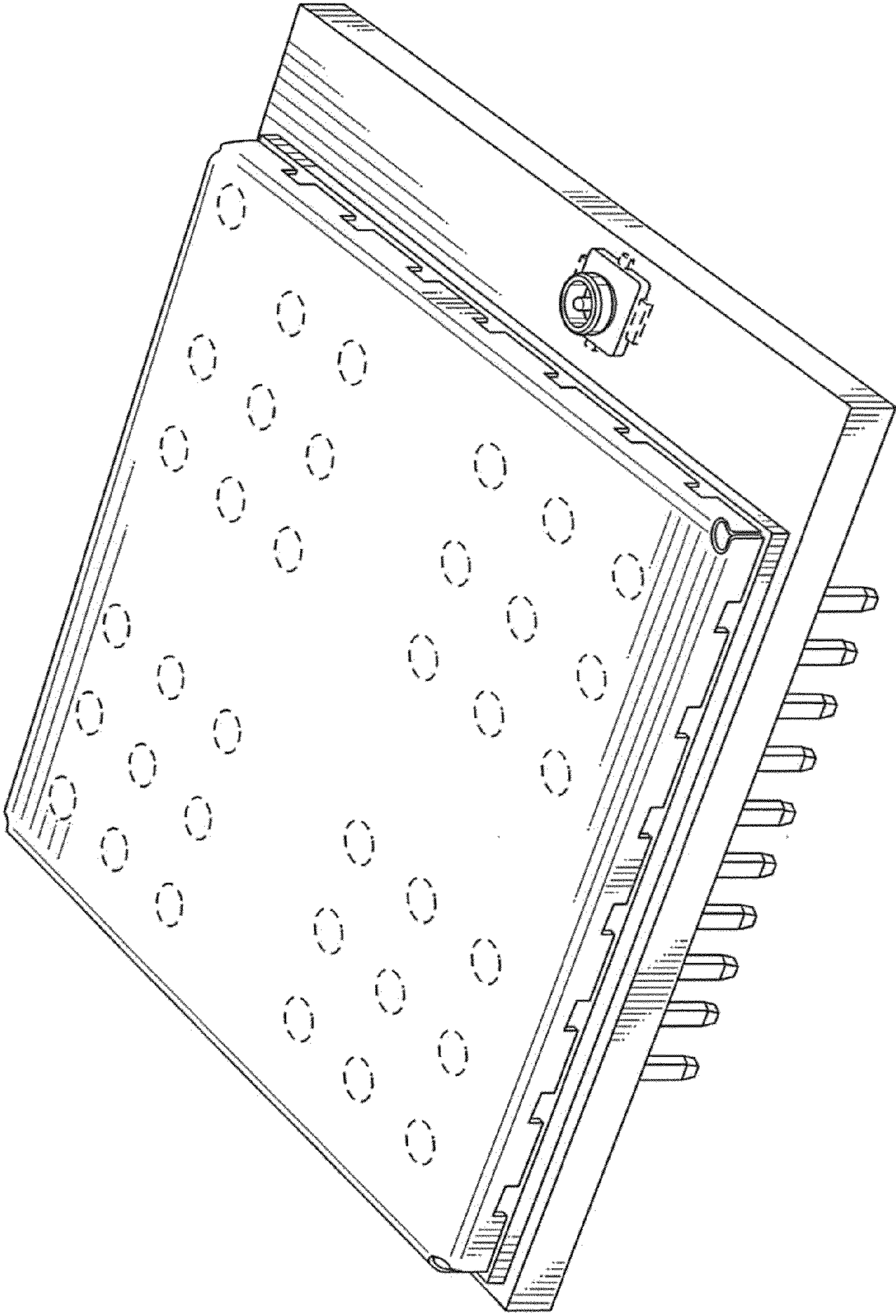


Fig. 2

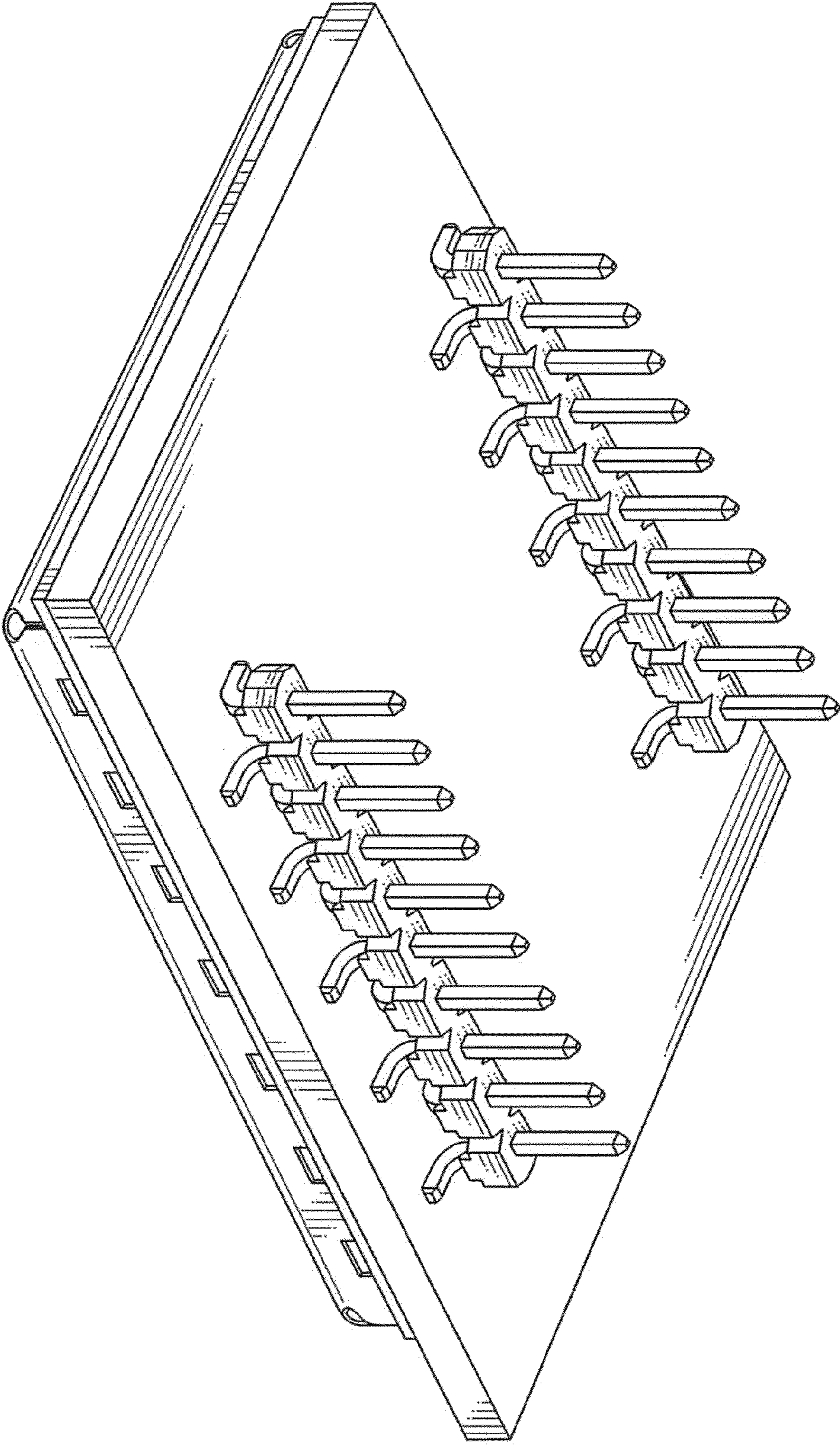


Fig. 3

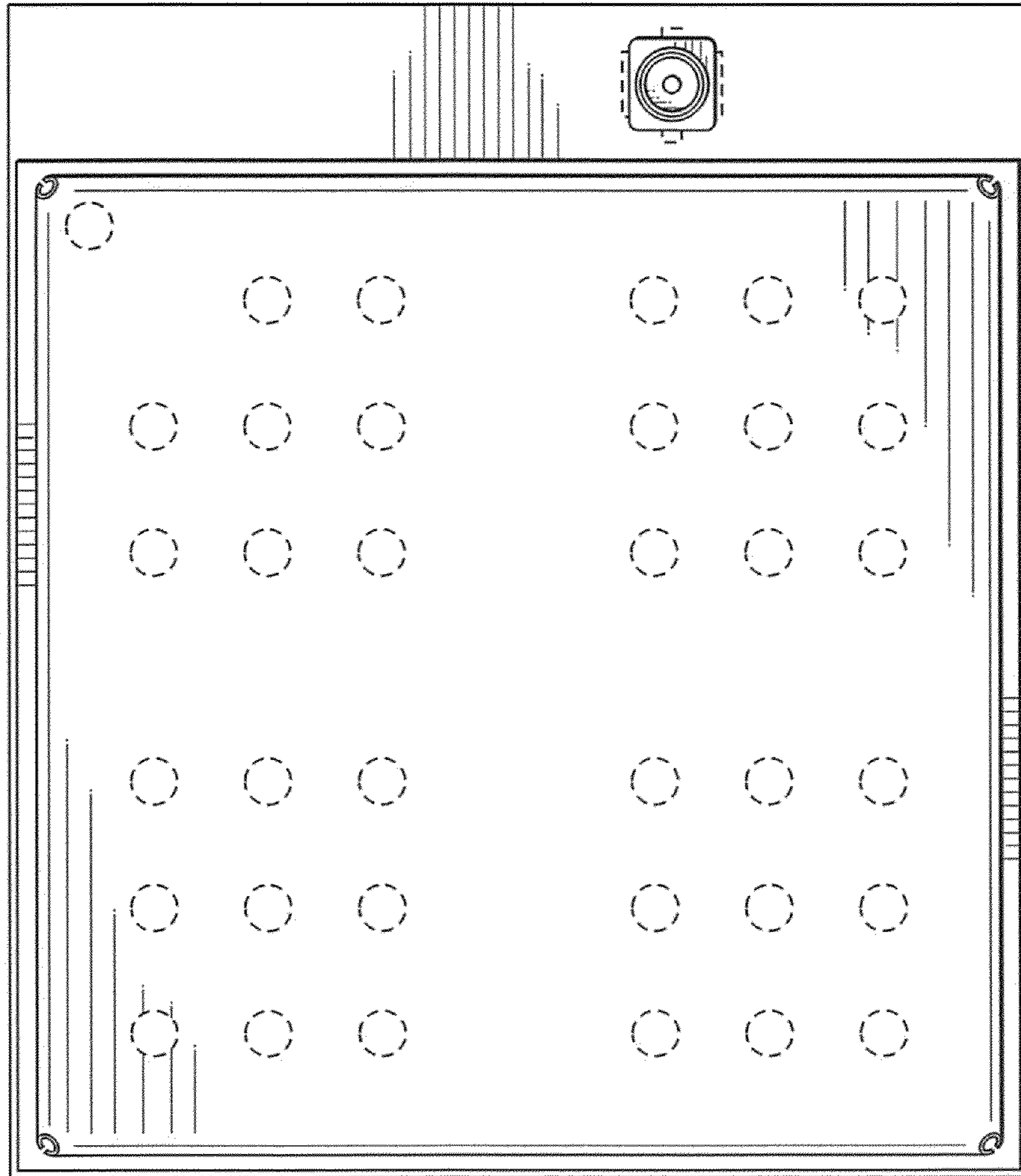


Fig. 4

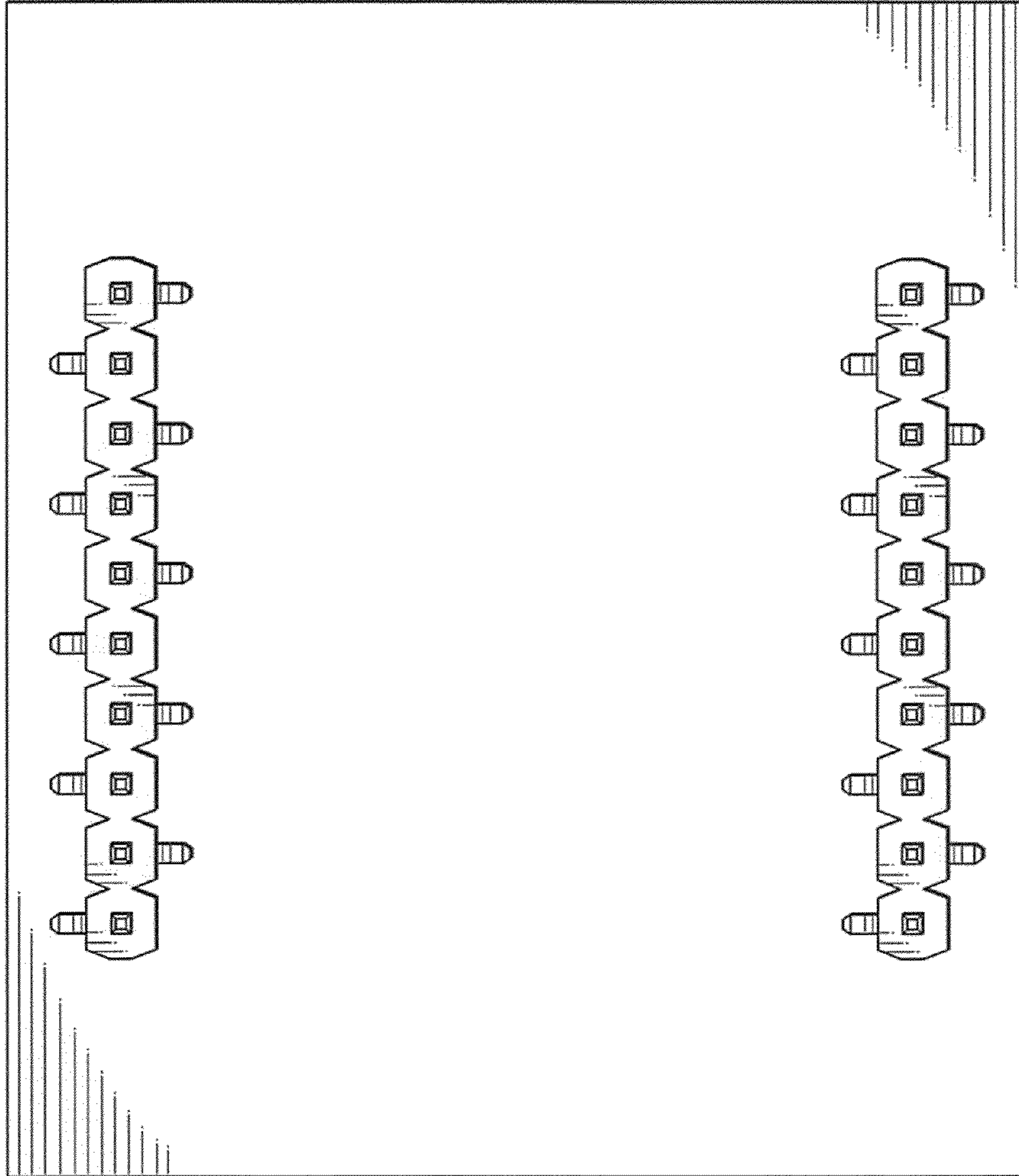


Fig. 5

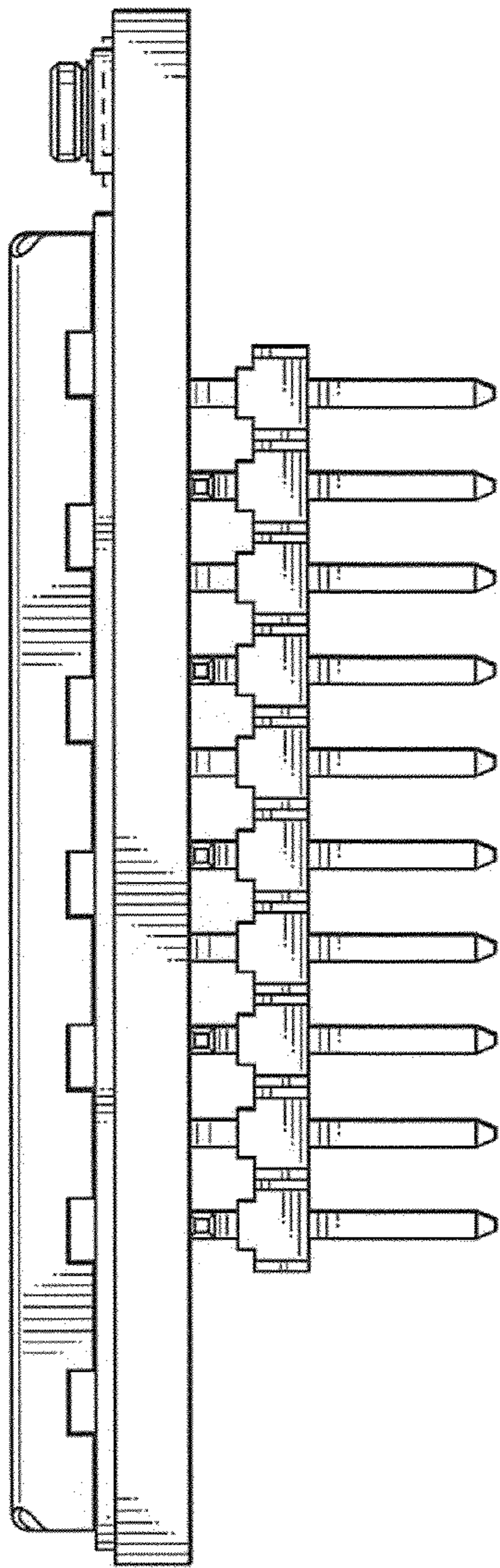


Fig. 6

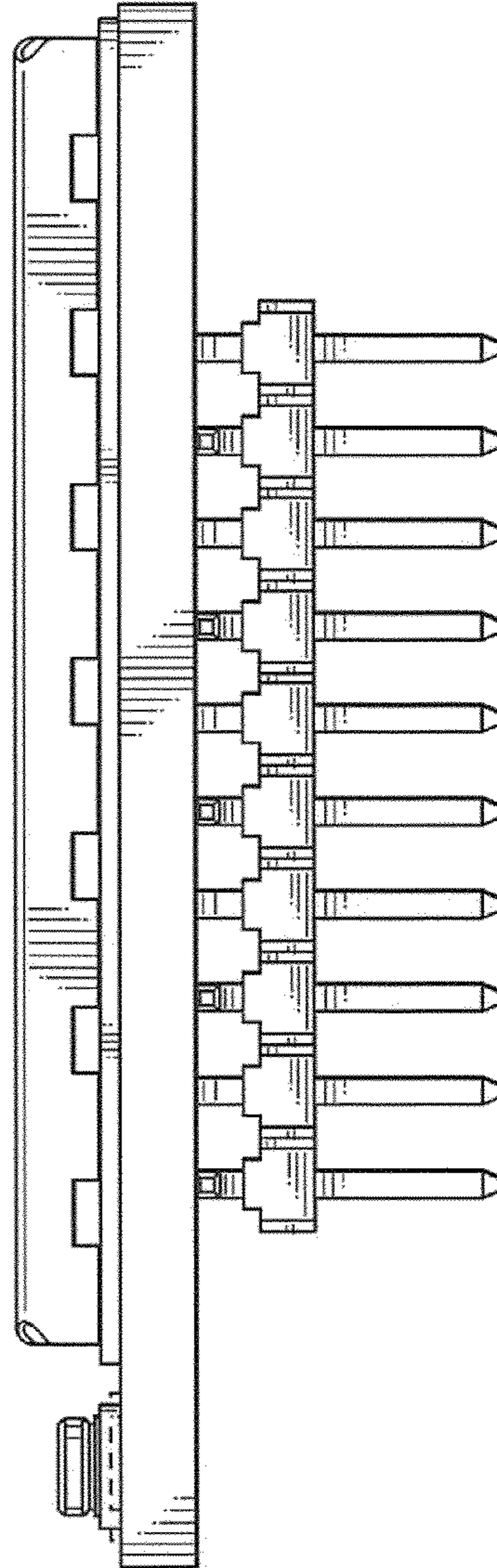


Fig. 7

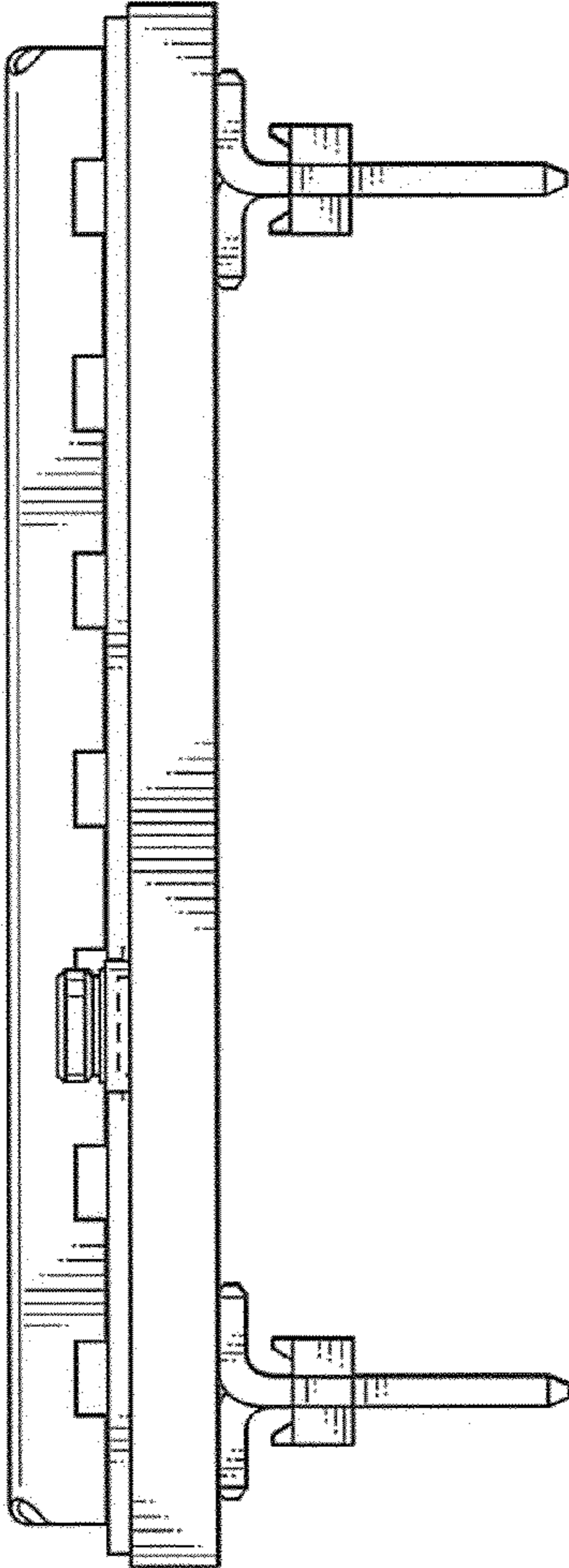


Fig. 8

