



US00D731490S

(12) **United States Design Patent**
Kim et al.

(10) **Patent No.:** **US D731,490 S**
(45) **Date of Patent:** **** Jun. 9, 2015**

(54) **DOCKING STATION**
(71) Applicant: **Microsoft Corporation**, Redmond, WA (US)
(72) Inventors: **Young Soo Kim**, Seattle, WA (US);
Mike F. Deily, Redmond, WA (US);
James Iming Tsai, Redmond, WA (US)
(73) Assignee: **Microsoft Corporation**, Redmond, WA (US)
(**) Term: **14 Years**

(21) Appl. No.: **29/467,598**
(22) Filed: **Sep. 20, 2013**
(51) **LOC (10) Cl.** **14-02**
(52) **U.S. Cl.**
USPC **D14/434**
(58) **Field of Classification Search**
USPC D14/432-434, 314, 204, 420, 421, 447,
D14/217, 358, 138 R, 140, 142; D13/107,
D13/108, 146; D8/373; 248/346.03, 176.1;
361/679.41, 679.31, 679.32, 679.4,
361/679.43, 679.55, 679.58, 679.33;
320/109, 112-115; 710/15, 303;
455/557; 439/347, 534
See application file for complete search history.

(56) **References Cited**

U.S. PATENT DOCUMENTS

D477,604 S * 7/2003 Lin D14/434
D523,847 S * 6/2006 Naruki D14/224.1
D552,611 S * 10/2007 Hagiwara et al. D14/434
D598,453 S * 8/2009 Solomon et al. D14/434

D673,156 S 12/2012 Detemple
D676,447 S 2/2013 Detemple
D676,832 S * 2/2013 Akana et al. D14/217
D685,793 S * 7/2013 Taniho et al. D14/422

FOREIGN PATENT DOCUMENTS

JP 1103928 3/2001

* cited by examiner

Primary Examiner — Freda S Nunn

(74) *Attorney, Agent, or Firm* — Banner & Witcoff, Ltd.

(57) **CLAIM**

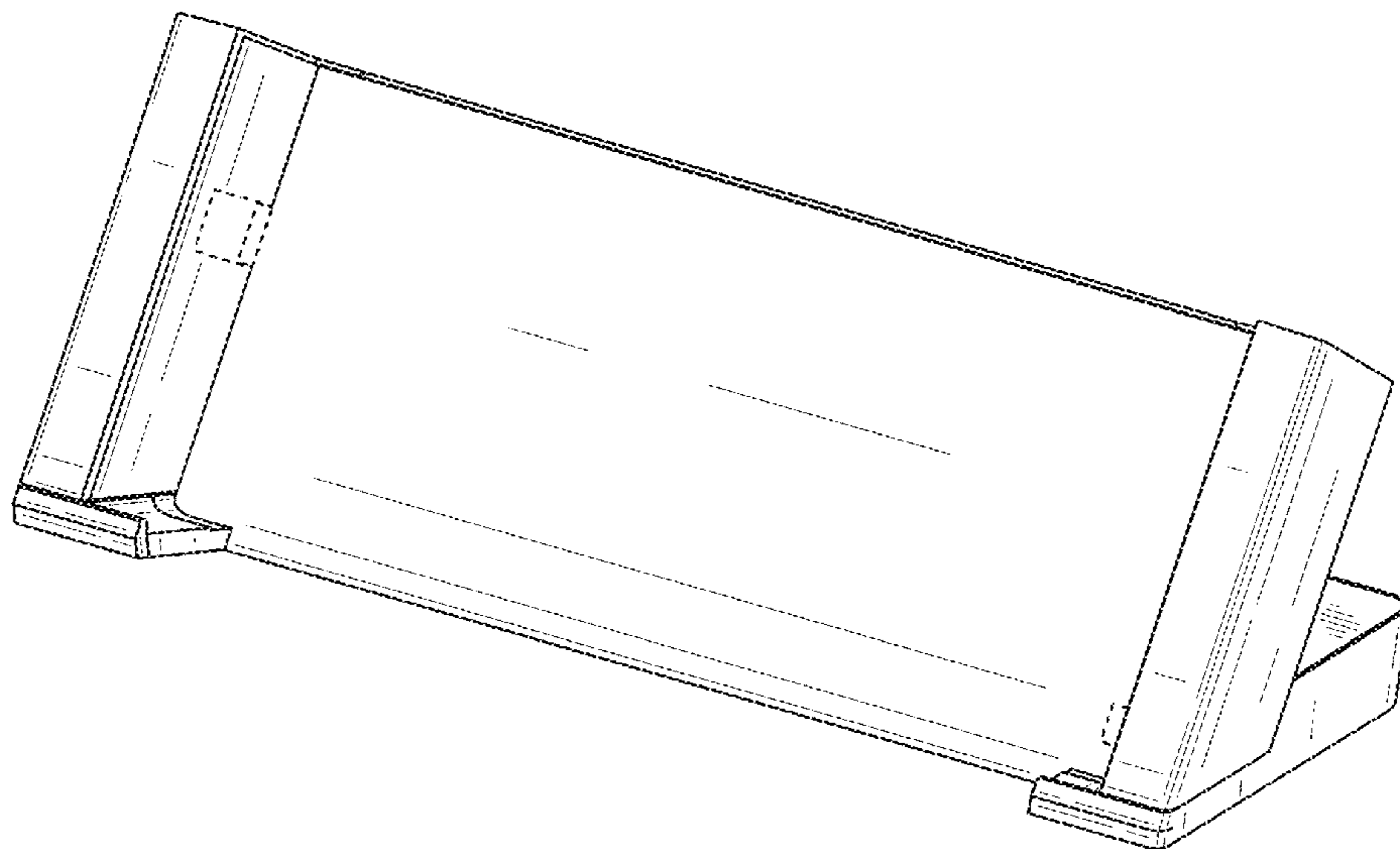
The ornamental design for a docking station, as shown and described.

DESCRIPTION

FIG. 1 is a front perspective view of a docking station showing the new design;
FIG. 2 is a rear perspective view thereof;
FIG. 3 is a front view thereof;
FIG. 4 is a rear view thereof;
FIG. 5 is a right side view thereof;
FIG. 6 is a left side view thereof;
FIG. 7 is a top view thereof;
FIG. 8 is a bottom view thereof; and,
FIG. 9 is a front perspective view of the docking station shown in an in-use position with additional disclaimed content.

The broken line showing of various features of the docking station in the figures is for environmental purposes only and forms no part of the claimed design.

1 Claim, 8 Drawing Sheets



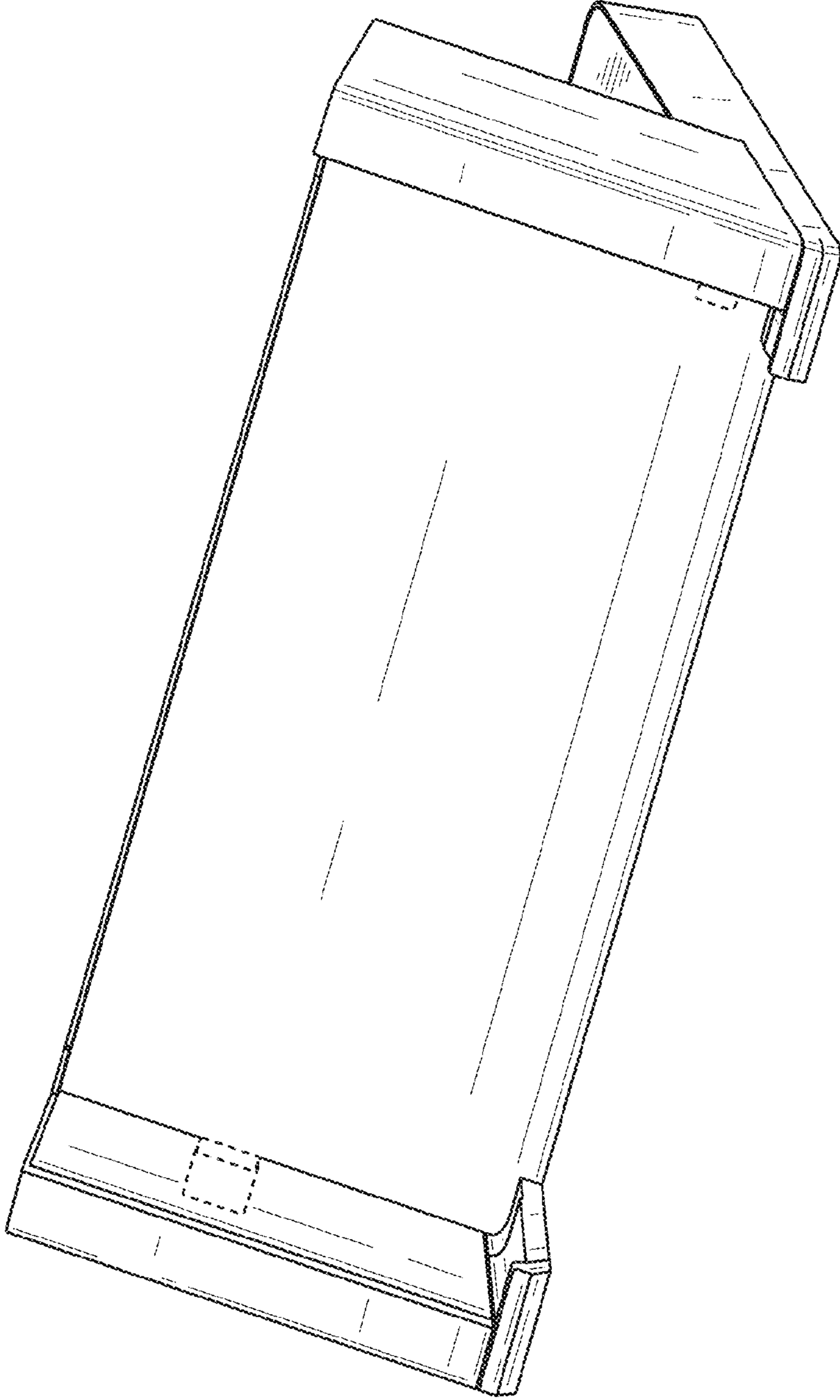


FIG. 1

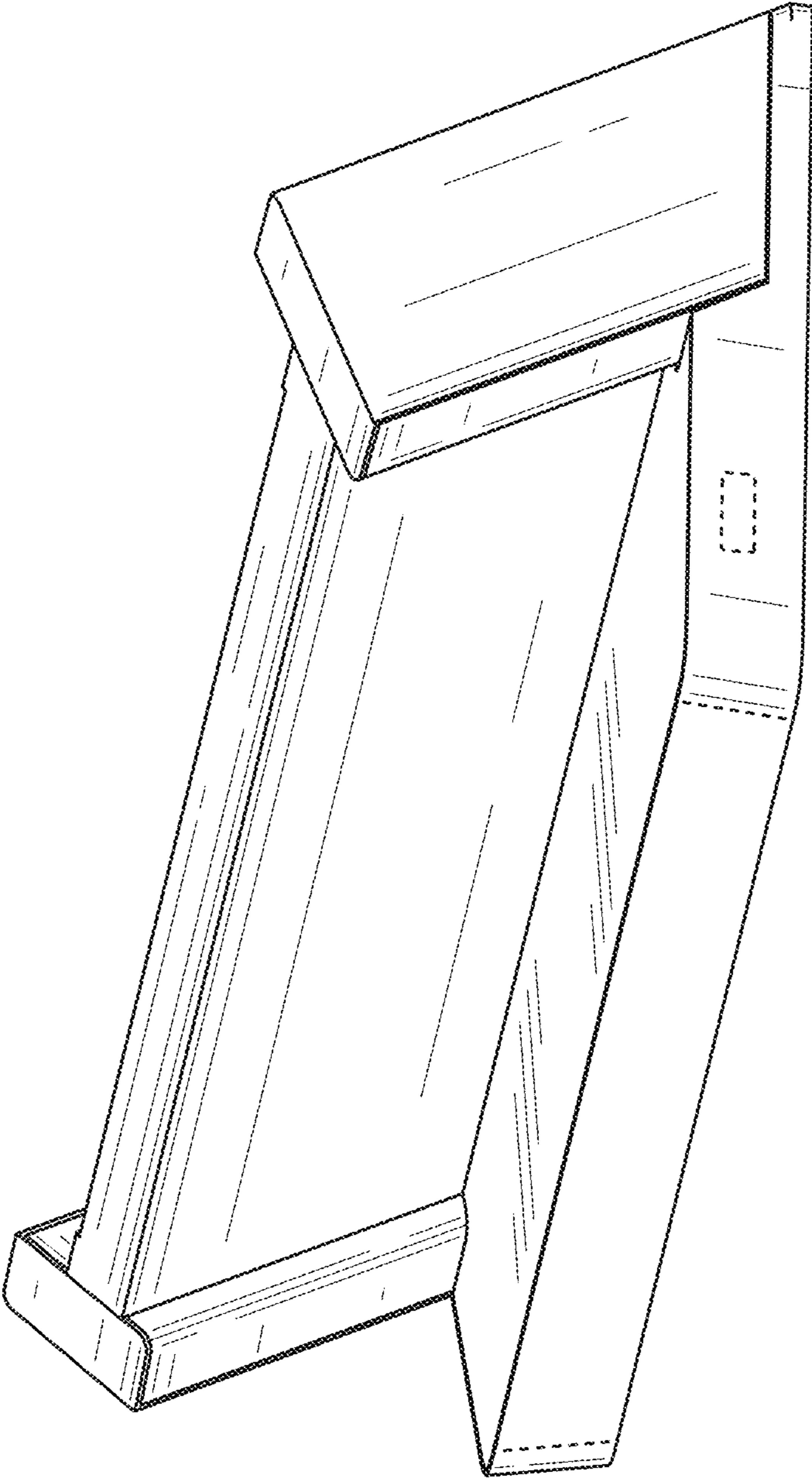


FIG. 2

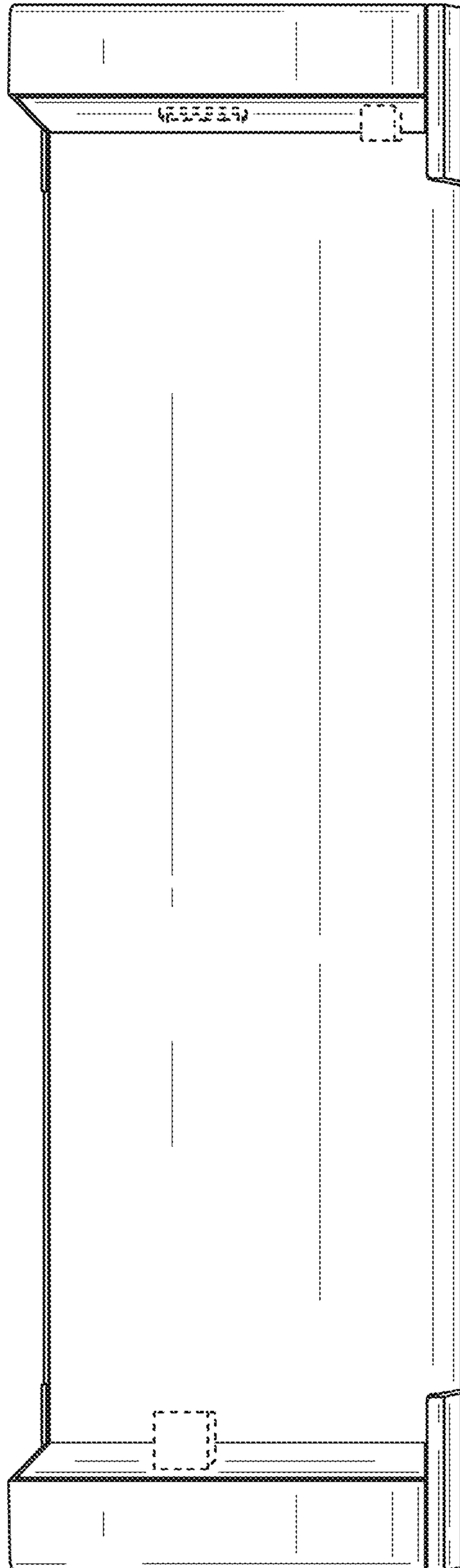


FIG. 3

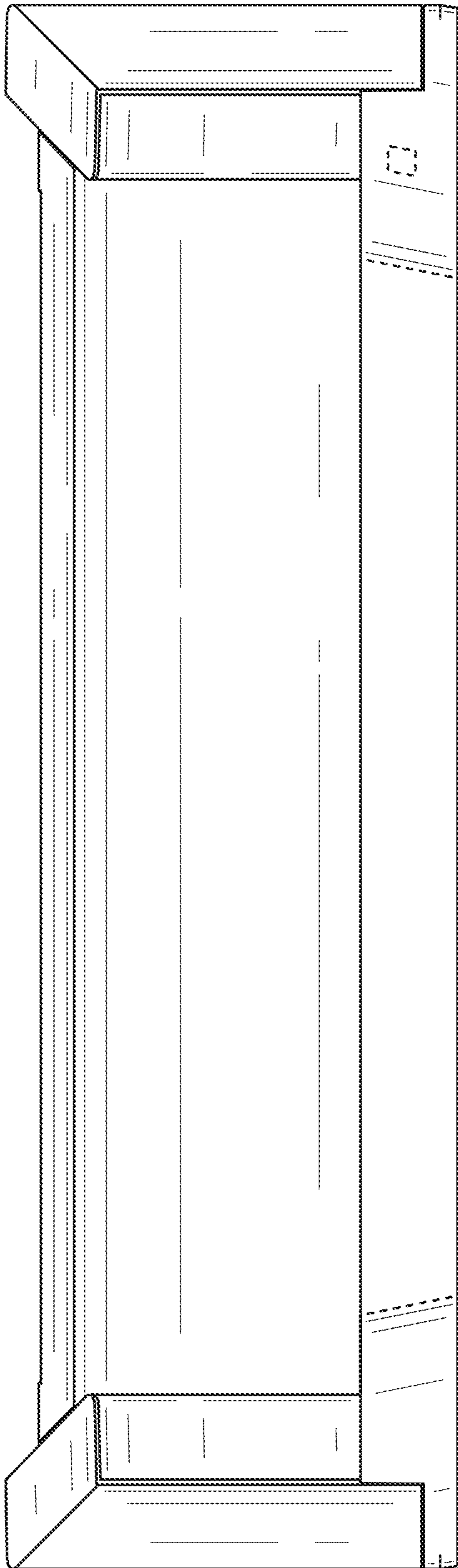


FIG. 4

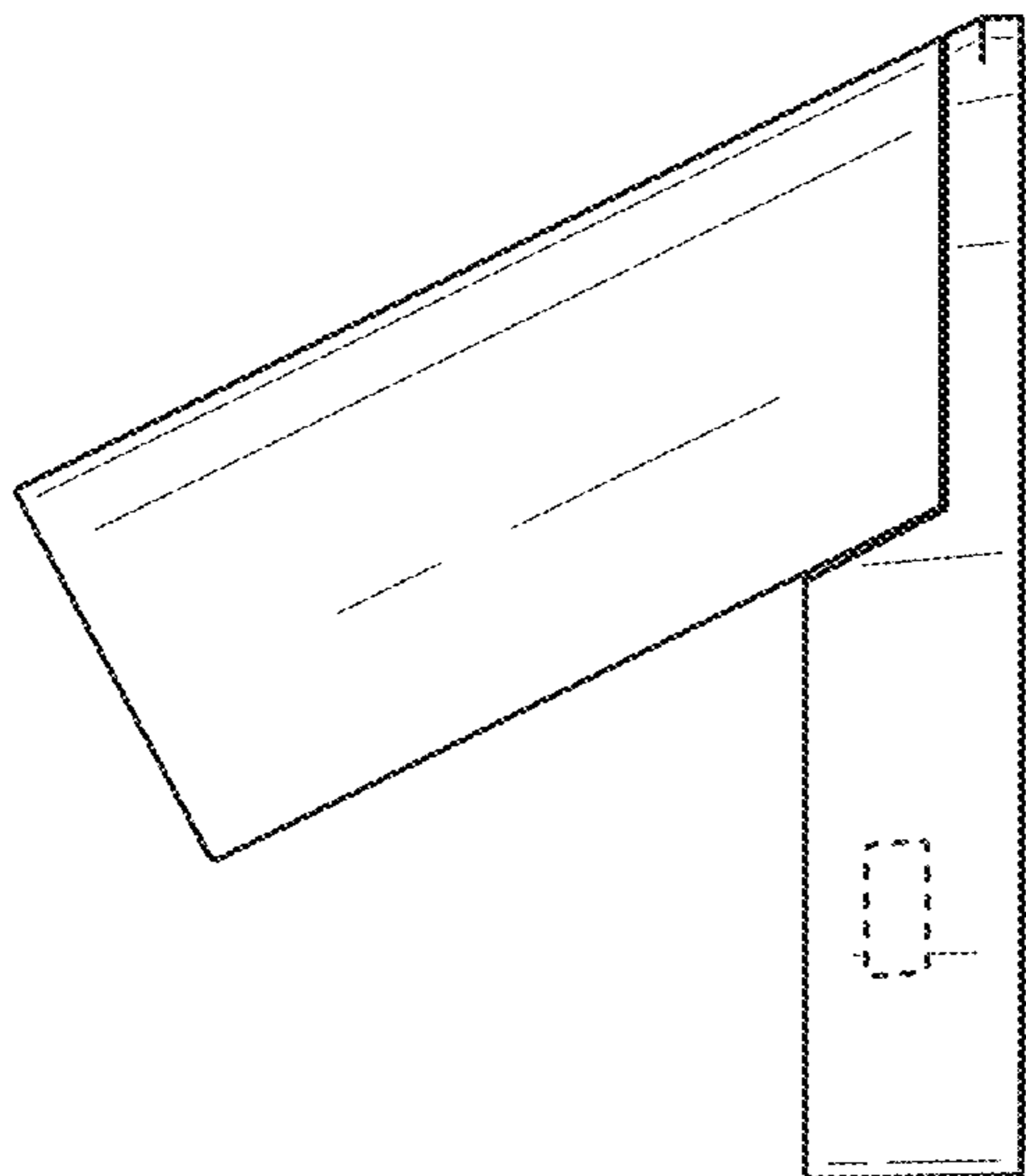


FIG. 6

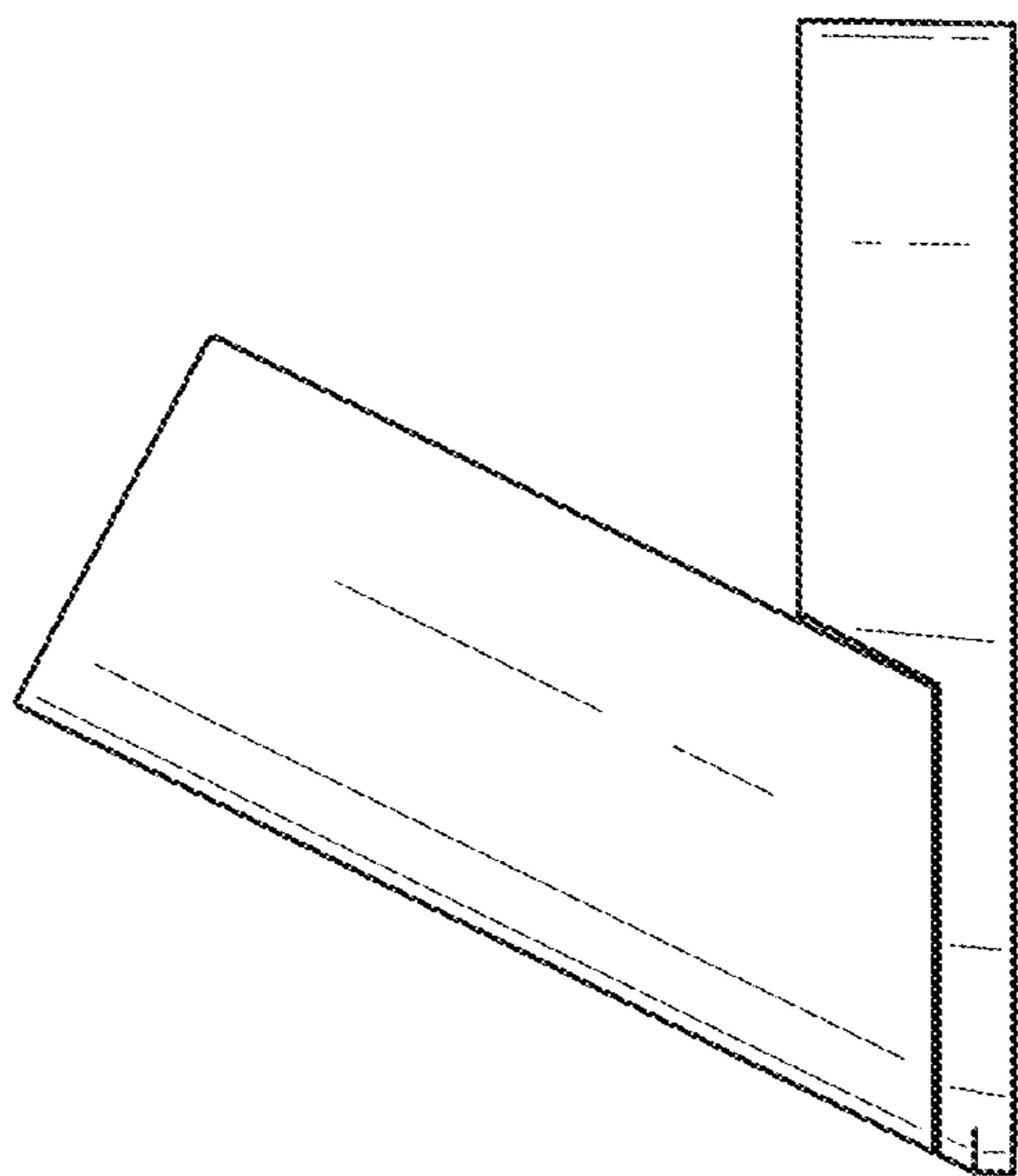


FIG. 5

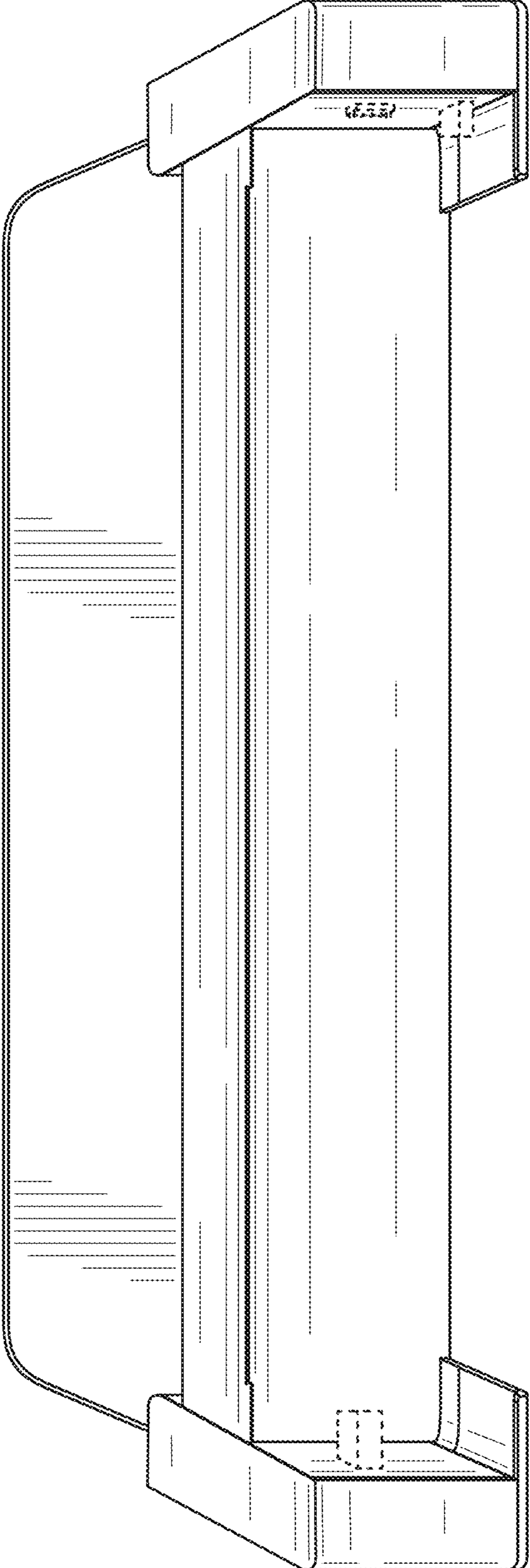


FIG. 7

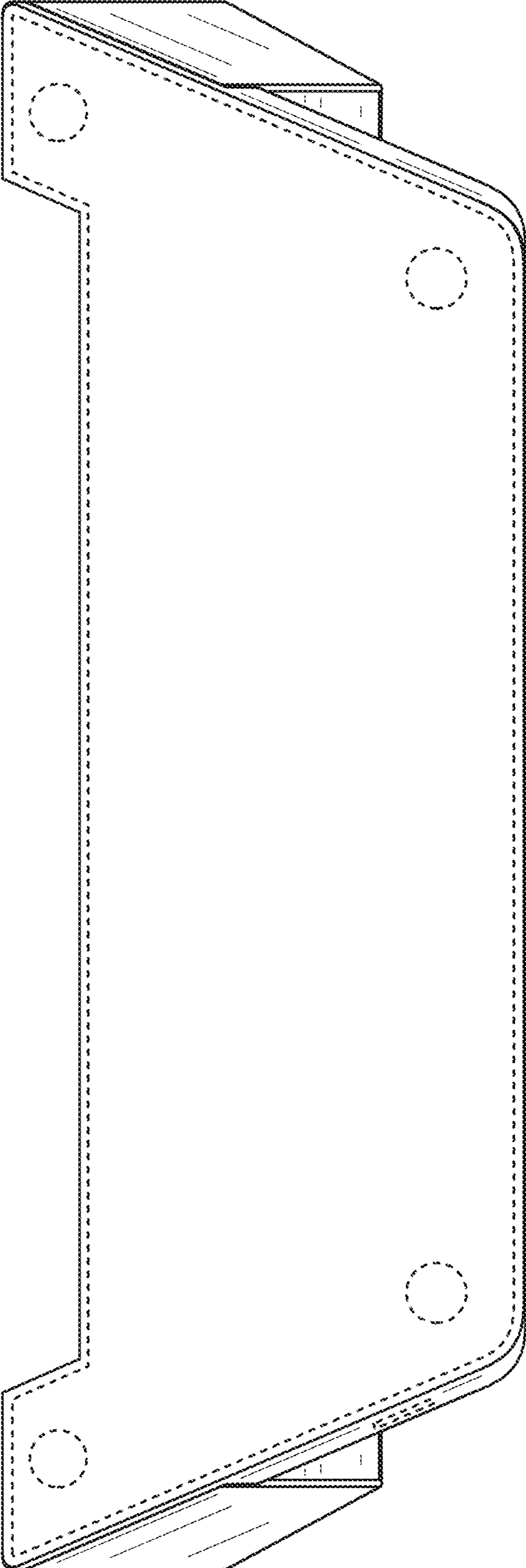


FIG. 8

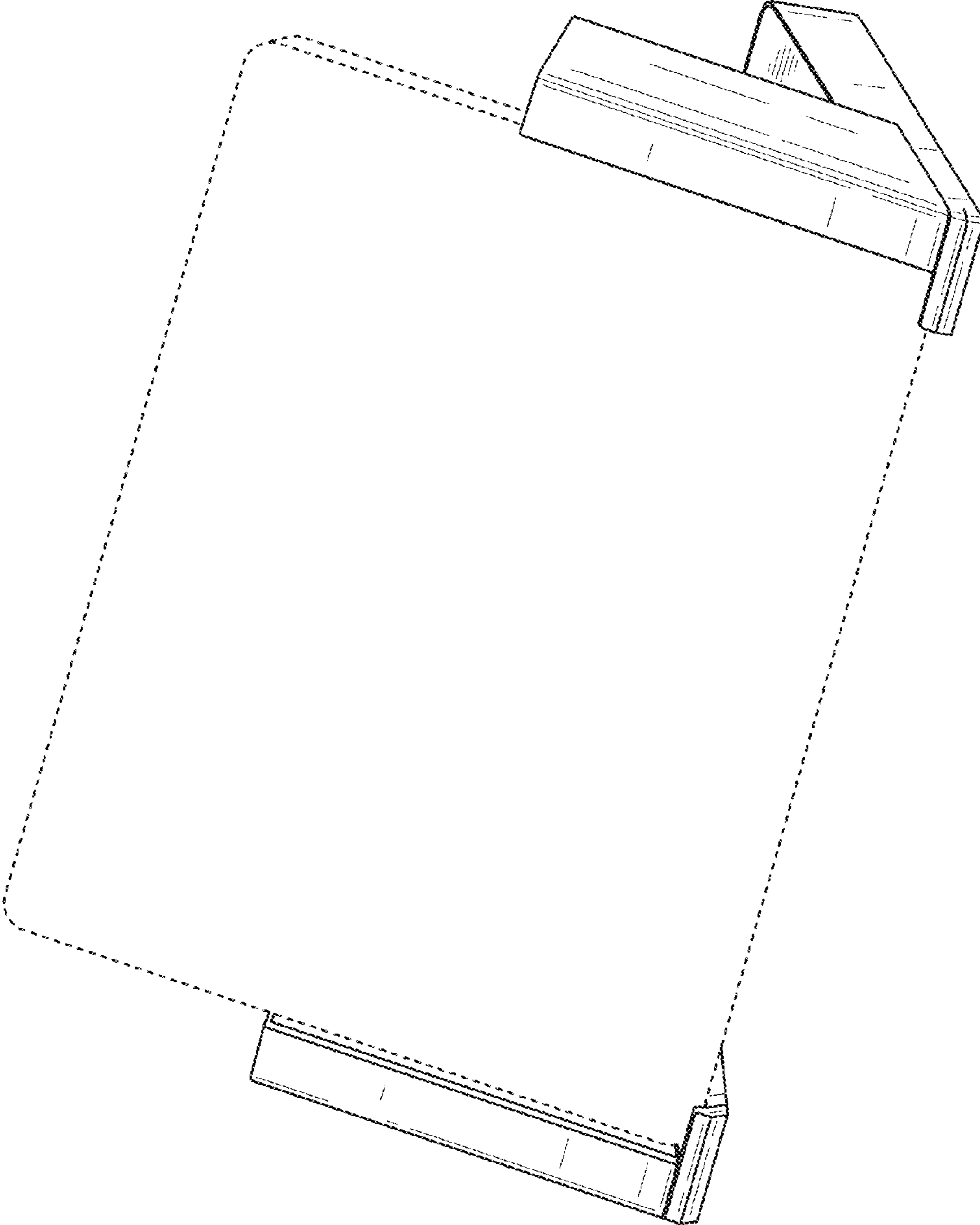


FIG. 9