



US00D731488S

(12) **United States Design Patent**  
**Lee**

(10) **Patent No.:** **US D731,488 S**  
(45) **Date of Patent:** **\*\* Jun. 9, 2015**

(54) **CABLE DESIGN**

(71) Applicant: **Jade Trading Inc.**, Arlington Heights, IL (US)

(72) Inventor: **John Lee**, Arlington Heights, IL (US)

(73) Assignee: **Jade Trading Inc.**, Arlington Heights, IL (US)

(\*\*) Term: **14 Years**

(21) Appl. No.: **29/469,876**

(22) Filed: **Oct. 15, 2013**

(51) **LOC (10) Cl.** ..... **14-02**

(52) **U.S. Cl.**  
USPC ..... **D14/433**

(58) **Field of Classification Search**  
USPC ..... D14/356, 432-434, 453, 454, 511,  
D14/203.8, 209.1, 238.1, 240, 125;  
439/638, 928, 105, 502; 710/303, 304;  
361/679.41, 679.55, 679.56; D13/110,  
D13/133, 146

See application file for complete search history.

(56) **References Cited**

**U.S. PATENT DOCUMENTS**

D548,700 S *	8/2007	Ledbetter et al. ....	D13/154
D588,545 S *	3/2009	Andre et al. ....	D13/154
D599,800 S *	9/2009	Klein et al. ....	D14/433
D600,652 S *	9/2009	Hong et al. ....	D13/154
D605,650 S *	12/2009	Ribeiro ....	D14/433
D635,574 S *	4/2011	Morisawa ....	D14/433
D636,337 S *	4/2011	Smith et al. ....	D13/147
D680,076 S *	4/2013	McManigal ....	D13/147

D680,539 S *	4/2013	Kim .....	D14/433
D682,835 S *	5/2013	Daniel .....	D14/433
D694,243 S *	11/2013	Akana et al. ....	D14/433
D707,680 S *	6/2014	Akana et al. ....	D14/433
D707,681 S *	6/2014	Akana et al. ....	D14/433
D711,383 S *	8/2014	Lam et al. ....	D14/433
2007/0293079 A1 *	12/2007	Chao et al. ....	439/352
2011/0199729 A1 *	8/2011	Hsieh .....	361/679.33

\* cited by examiner

*Primary Examiner* — Austin Murphy

(74) *Attorney, Agent, or Firm* — William J. Lenz; Neal, Gerber & Eisenberg LLP

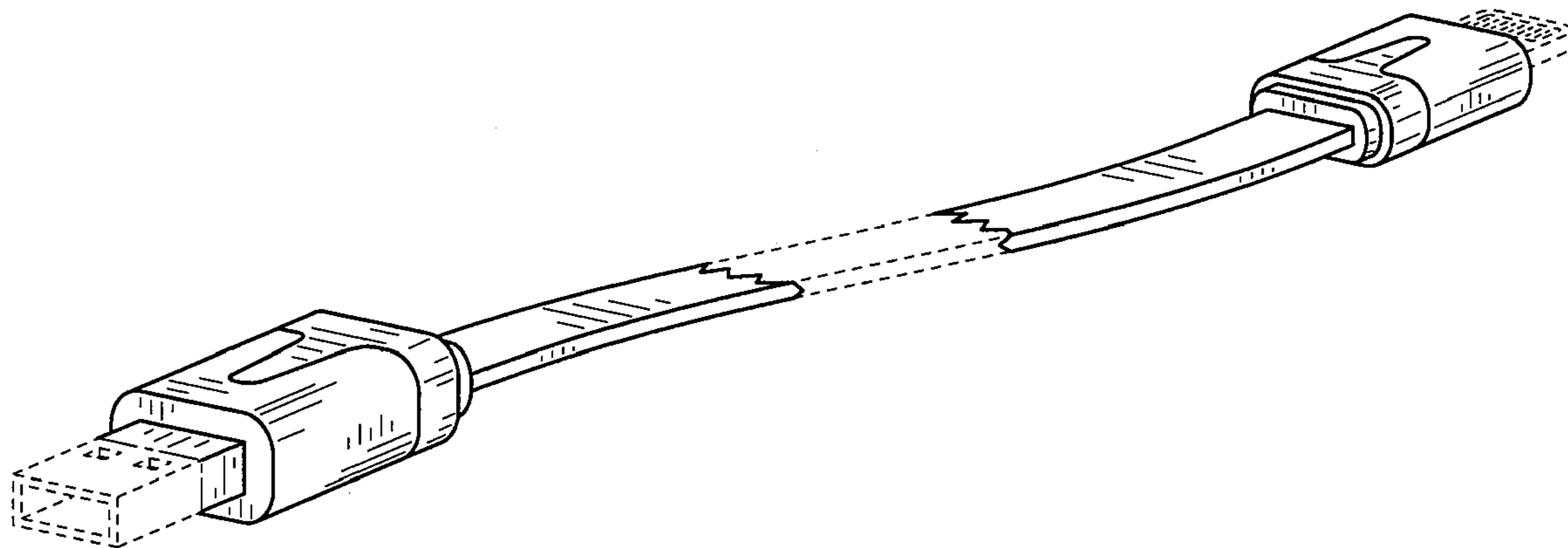
(57) **CLAIM**

The ornamental design for the cable design, as shown and described in the accompanying drawings.

**DESCRIPTION**

FIG. 1 is a perspective view of the cable design in accordance with the present invention;  
 FIG. 2 is a first elevational view of the embodiment of the cable design depicted in FIG. 1;  
 FIG. 3 is a second elevational view of the embodiment of the cable design depicted in FIG. 1;  
 FIG. 4 is a first end view of the embodiment of the cable design depicted in FIG. 1;  
 FIG. 5 is a second end view of the embodiment of the cable design in FIG. 1;  
 FIG. 6 is a first plan view of the embodiment of the cable design in FIG. 1; and,  
 FIG. 7 is a second plan view of the embodiment of the cable design in FIG. 1.  
 The broken lines showing the environment in the Figures are for illustrative purposes only and form no part of the claimed design.

**1 Claim, 2 Drawing Sheets**



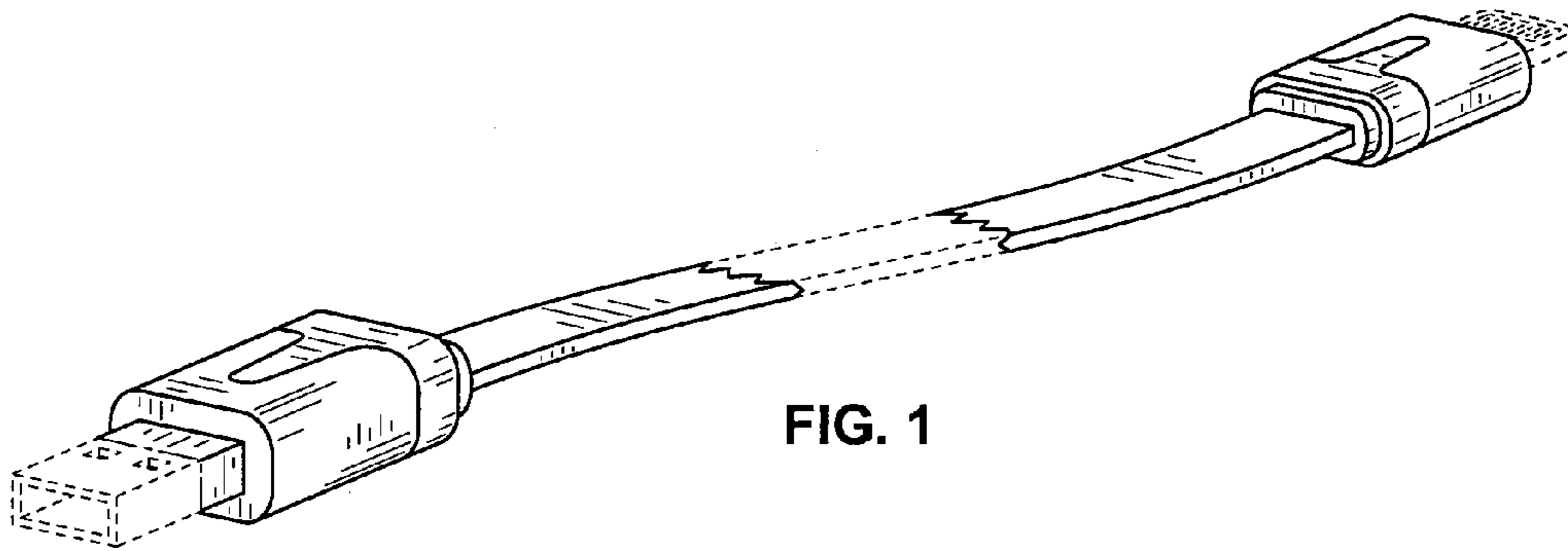


FIG. 1

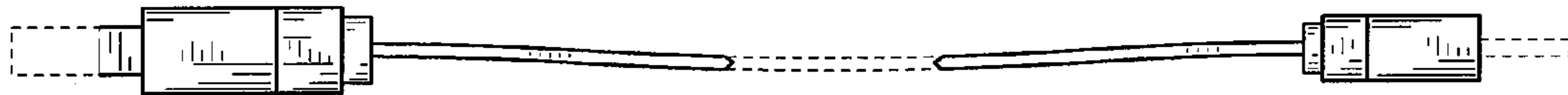


FIG. 2

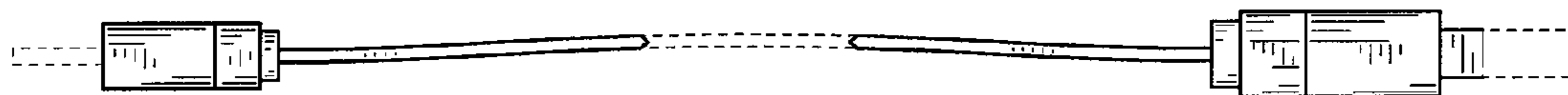


FIG. 3

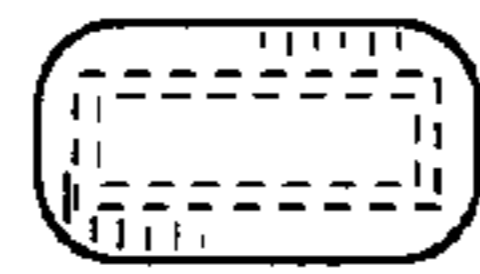


FIG. 4

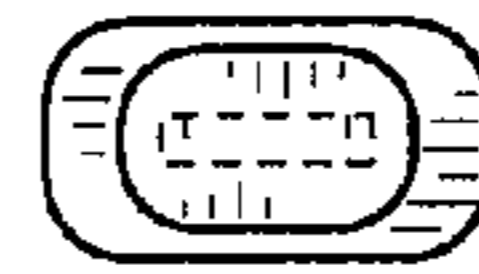


FIG. 5

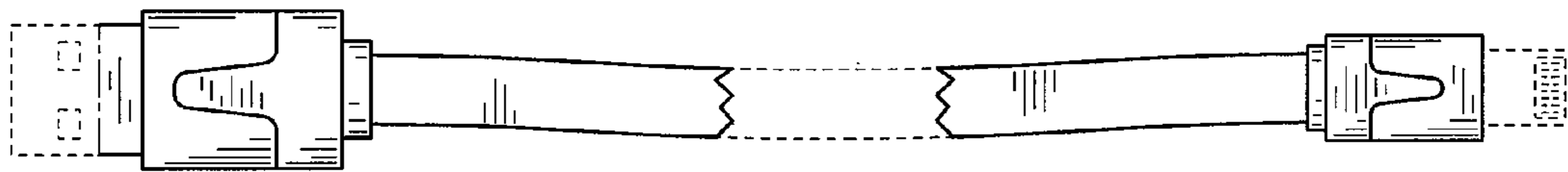


FIG. 6

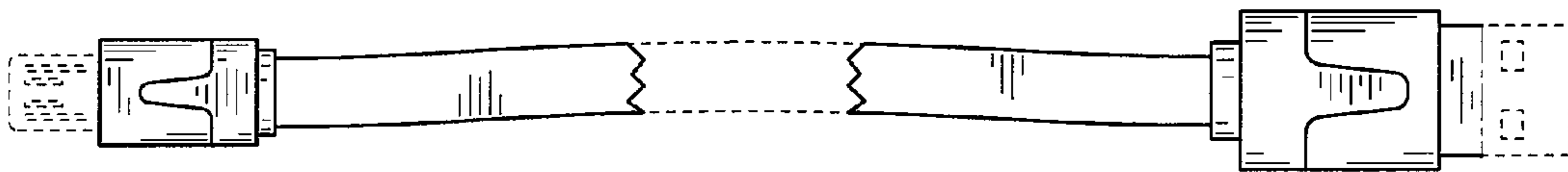


FIG. 7