



US00D731484S

(12) **United States Design Patent**  
**Olsson et al.**

(10) **Patent No.:** **US D731,484 S**  
(45) **Date of Patent:** **\*\* Jun. 9, 2015**

- (54) **DISPLAY DEVICE COMPONENT**
- (71) Applicant: **Google Inc.**, Mountain View, CA (US)
- (72) Inventors: **Maj Isabelle Olsson**, San Francisco, CA (US); **Mitchell Joseph Heinrich**, San Francisco, CA (US)
- (73) Assignee: **Google Inc.**, Mountain View, CA (US)
- (\*\*) Term: **14 Years**
- (21) Appl. No.: **29/485,288**
- (22) Filed: **Mar. 18, 2014**

**Related U.S. Application Data**

- (62) Division of application No. 29/404,643, filed on Oct. 24, 2011, now Pat. No. Des. 704,247.
- (51) **LOC (10) Cl.** ..... **14-02**
- (52) **U.S. Cl.**  
USPC ..... **D14/372**
- (58) **Field of Classification Search**  
USPC ..... D14/356–358, 361, 370, 372, 385, 388, D14/432–439, 447, 458, 474, 480.1, 483, D14/484.1, 217, 239, 299; D8/349, 354, D8/395; D16/100, 330, 300, 309; 345/7–9; 351/158; 359/633, 630  
CPC ..... G02B 27/017; G02B 27/0158; G02B 27/0161; G02B 27/0181; G02B 27/0185; G02B 27/0189; G02B 2027/0178; G02C 11/10; G02C 11/00  
See application file for complete search history.

**References Cited**

**U.S. PATENT DOCUMENTS**

3,944,344 A	3/1976	Wichers
D327,079 S	6/1992	Allen
D334,557 S	4/1993	Hunter et al.
D337,320 S	7/1993	Hunter et al.
D354,974 S	1/1995	Wielhouwer

D402,651 S	12/1998	Depay et al.
D428,620 S	7/2000	Maturaporn
D436,960 S	1/2001	Budd et al.
D512,985 S	12/2005	Travers et al.
D533,893 S	12/2006	Canavan et al.
D559,250 S	1/2008	Pombo
D565,082 S	3/2008	McClure et al.
D578,120 S	10/2008	Lowe et al.
D583,212 S *	12/2008	Grohmann ..... D8/308
D591,137 S *	4/2009	Beckley ..... D8/308
D602,064 S	10/2009	Mitsui et al.
7,631,968 B1	12/2009	Dobson et al.

(Continued)

*Primary Examiner* — Austin Murphy

(74) *Attorney, Agent, or Firm* — Lerner, David, Littenberg, Krumholz & Mentlik, LLP

(57) **CLAIM**

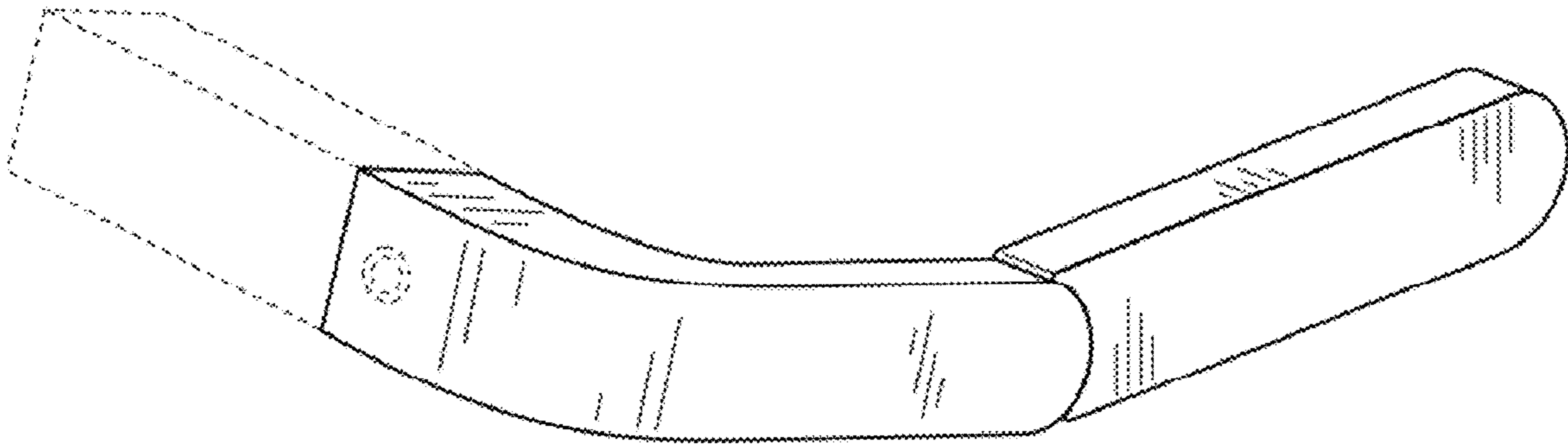
The ornamental design for a display device component, as shown and described.

**DESCRIPTION**

FIG. 1 is a front perspective view of a wearable display device showing our design in a first configuration; FIG. 2 is a right side elevation view of the display device component of FIG. 1; FIG. 3 is a front perspective view of the display device component of FIG. 1 in a second configuration; FIG. 4 is a right side elevation view of the display device component of FIG. 3; FIG. 5 is a front perspective view of the display device component of FIG. 1 in a third configuration; FIG. 6 is a right side elevation view of the display device component of FIG. 5; FIG. 7 is a front perspective view of the display device component of FIG. 1 in a fourth configuration; and, FIG. 8 is a right side elevation view of the display device component of FIG. 7.

Broken lines are environmental only and form no part of the claimed design.

**1 Claim, 2 Drawing Sheets**



(56)

**References Cited**

U.S. PATENT DOCUMENTS

D647,123 S 10/2011 Cho  
 8,029,132 B1 10/2011 Park  
 D649,177 S 11/2011 Cho et al.  
 D659,136 S \* 5/2012 Matsumoto ..... D14/372  
 D659,137 S \* 5/2012 Matsumoto ..... D14/372  
 D659,739 S \* 5/2012 Olsson et al. .... D16/300  
 D662,964 S 7/2012 Olsson et al.  
 D664,184 S \* 7/2012 Olsson et al. .... D16/309  
 D664,586 S 7/2012 Olsson  
 D666,237 S 8/2012 Olsson et al.

D671,589 S \* 11/2012 Olsson ..... D16/300  
 D682,267 S \* 5/2013 Mase ..... D14/372  
 D691,602 S \* 10/2013 Sugihara et al. .... D14/300  
 D703,726 S \* 4/2014 Heinrich ..... D16/309  
 D704,705 S \* 5/2014 Mehin et al. .... D14/372  
 D710,355 S \* 8/2014 Brandt ..... D14/372  
 D713,406 S \* 9/2014 Pombo et al. .... D14/372  
 D718,304 S \* 11/2014 Heinrich ..... D14/372  
 D718,306 S \* 11/2014 Mehin et al. .... D14/372  
 D719,156 S \* 12/2014 Lee et al. .... D14/372  
 D719,571 S \* 12/2014 Sugihara et al. .... D14/372  
 D719,952 S \* 12/2014 Kim et al. .... D14/372  
 2005/0270477 A1 \* 12/2005 Curci et al. .... 351/109

\* cited by examiner

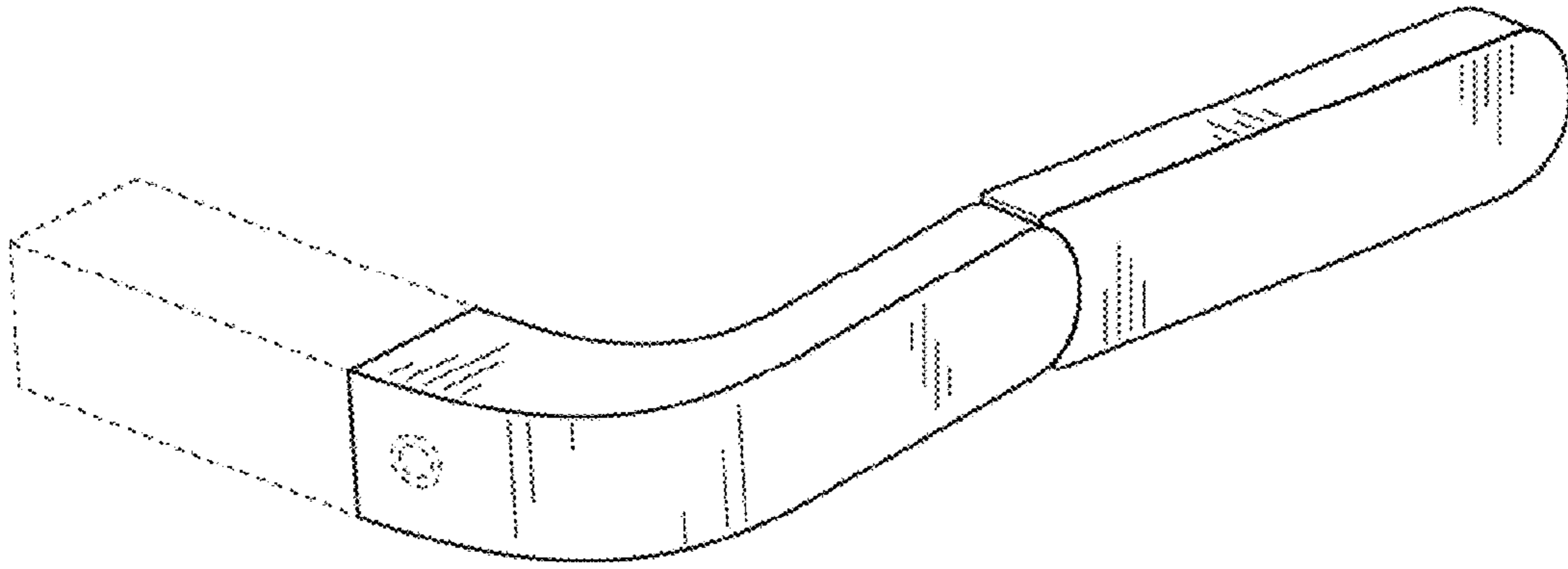


FIG. 1

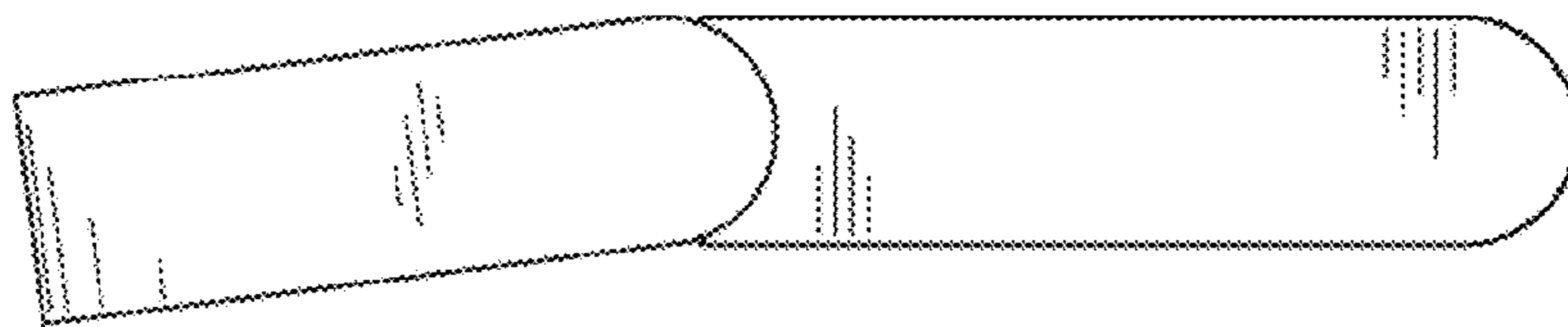


FIG. 2

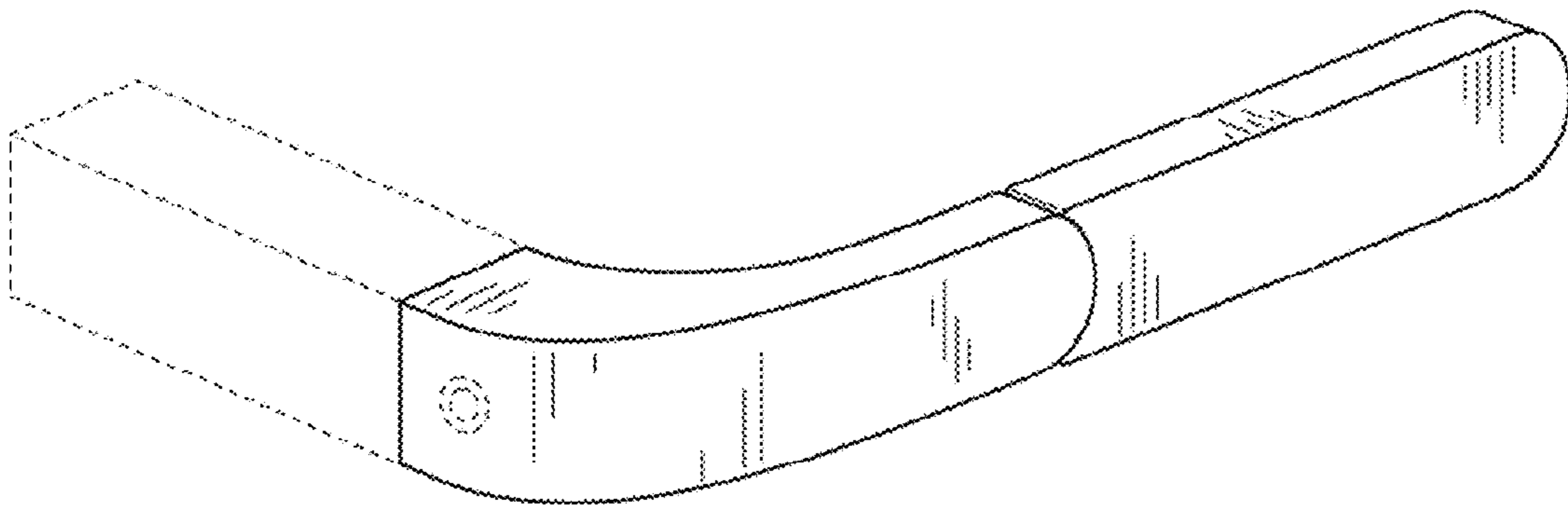


FIG. 3

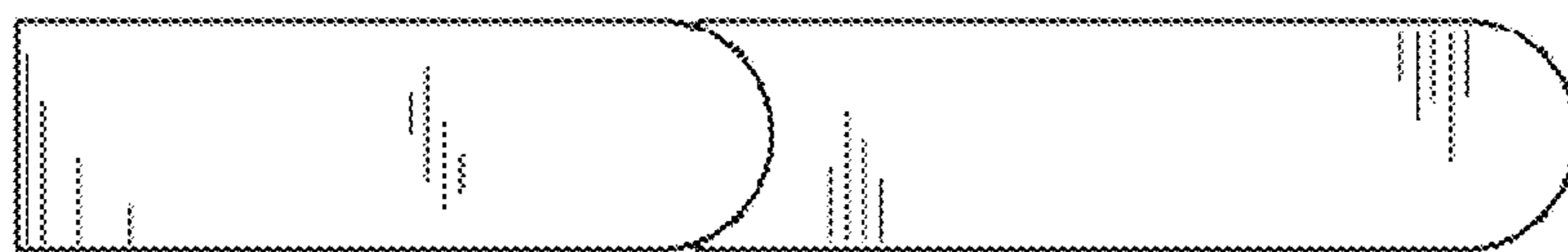


FIG. 4

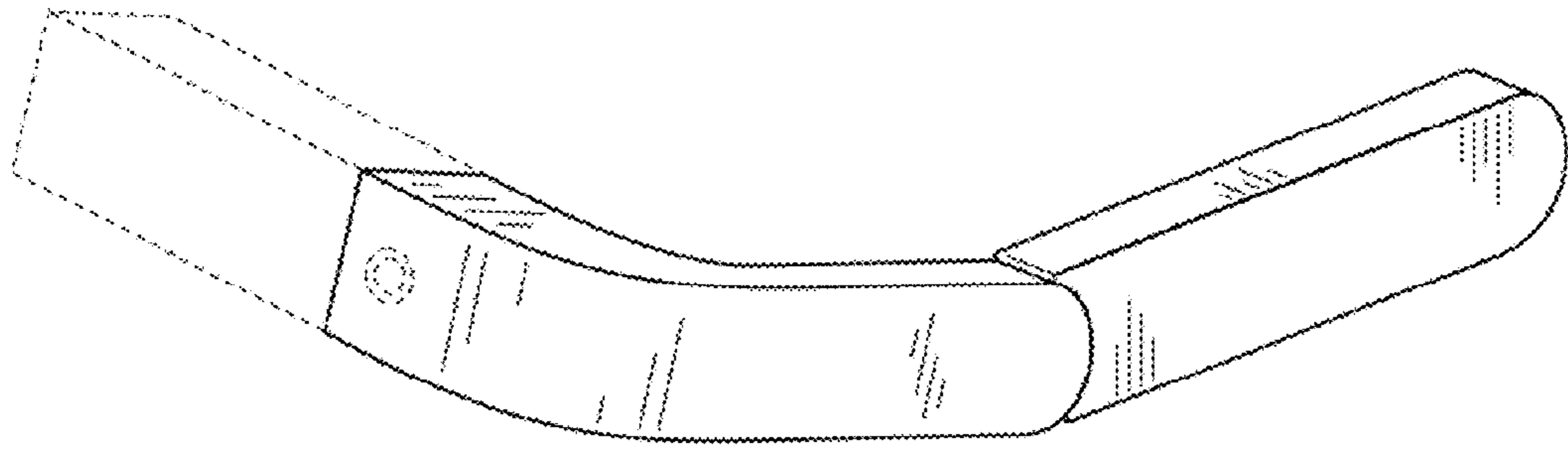


FIG. 5

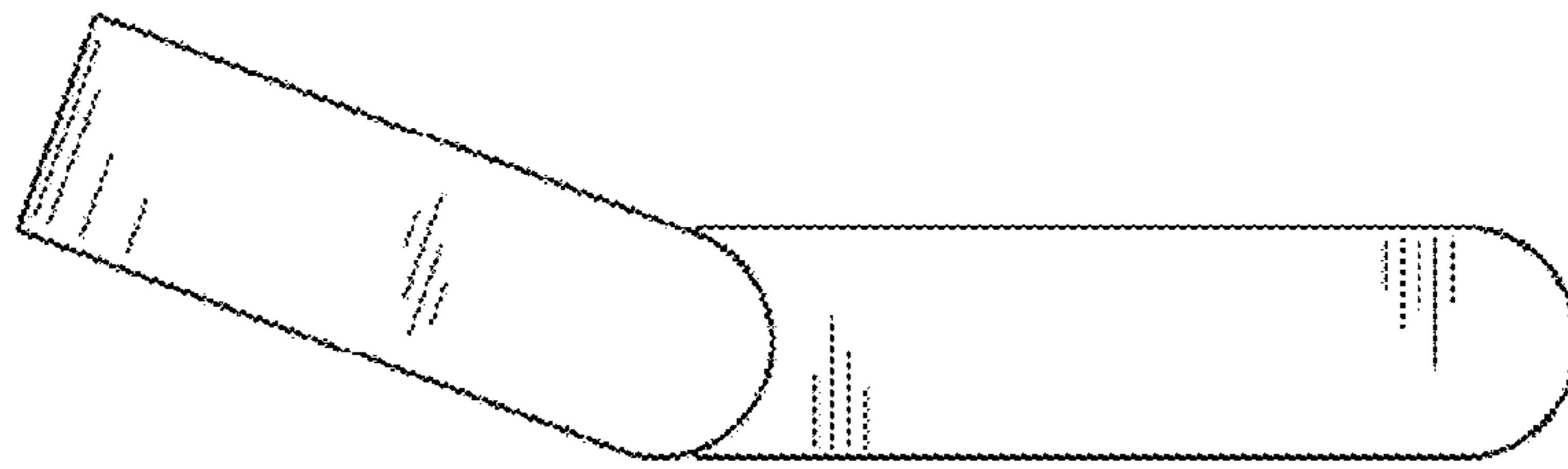


FIG. 6

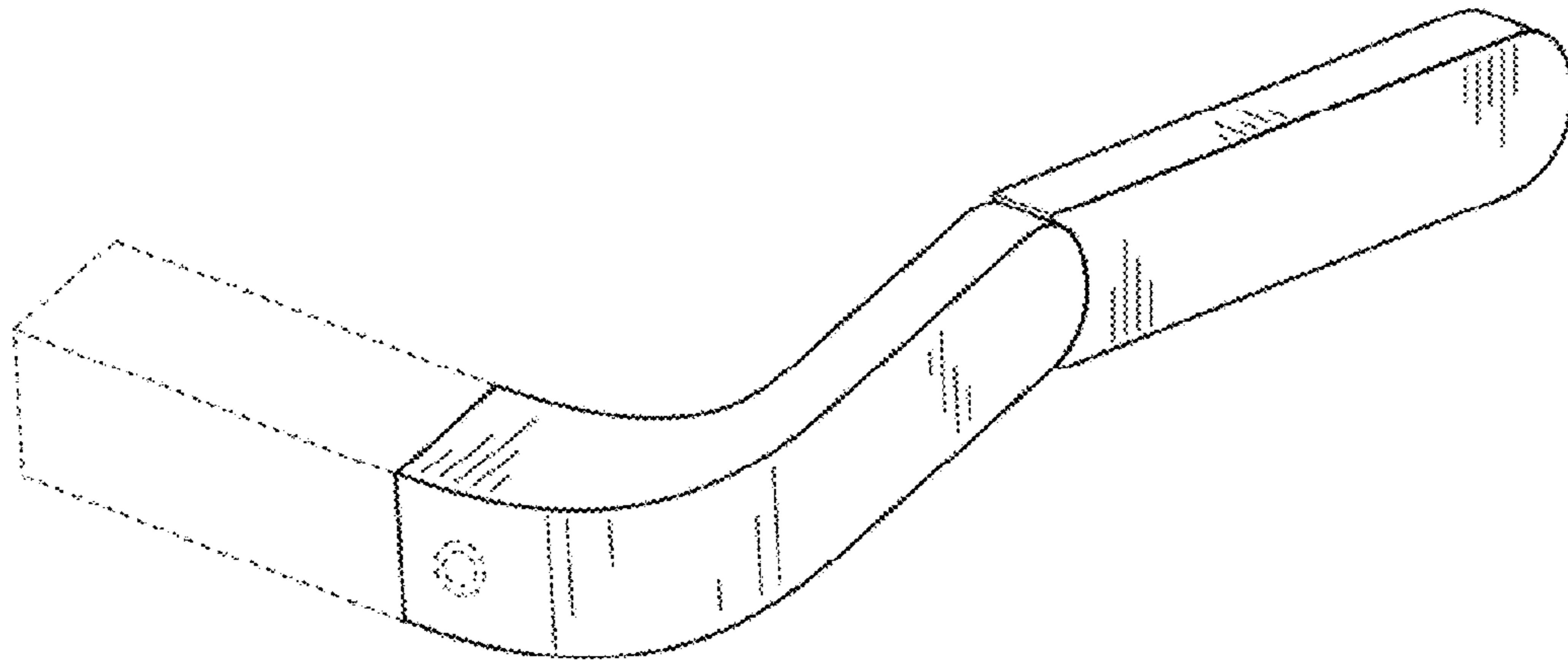


FIG. 7

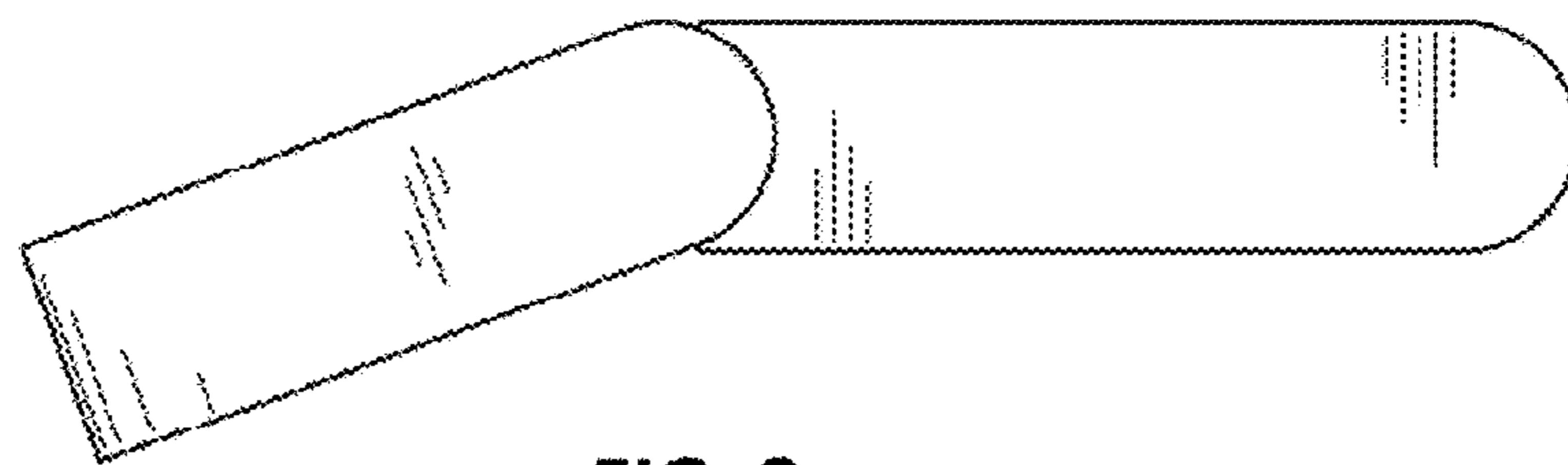


FIG. 8