



US00D731475S

(12) **United States Design Patent**  
**Mehandjiysky et al.**

(10) **Patent No.:** **US D731,475 S**  
(45) **Date of Patent:** **\*\* Jun. 9, 2015**

(54) **COMPUTER**

(56) **References Cited**

(71) Applicant: **Hewlett-Packard Development Company, L.P.**, Houston, TX (US)  
(72) Inventors: **Dimitre D. Mehandjiysky**, Cypress, TX (US); **Kevin L. Massaro**, Houston, TX (US); **Ming Chih Kuo**, Taipei (TW)  
(73) Assignee: **Hewlett-Packard Development Company, L.P.**, Houston, TX (US)  
(\*\*) Term: **14 Years**  
(21) Appl. No.: **29/471,487**  
(22) Filed: **Nov. 1, 2013**  
(51) **LOC (10) Cl.** ..... **14-02**  
(52) **U.S. Cl.**  
USPC ..... **D14/315**; D14/456  
(58) **Field of Classification Search**  
USPC ..... D14/315-327, 391-399, 455, 456;  
D18/1, 2, 7, 11; 235/145 A, 145 R;  
341/22, 23; 345/104, 156, 168, 169,  
345/173; 361/679.08, 679.09, 679.11,  
361/679.26, 679.27; 200/5 A, 5 R, 6 A, 6 R;  
400/484-489, 492, 472  
CPC ..... G06F 1/16; H01R 35/02; H03M 11/00;  
G09B 13/04; H03K 17/94  
See application file for complete search history.

U.S. PATENT DOCUMENTS

5,793,359 A *	8/1998	Ushikubo	.....	345/169
D528,117 S *	9/2006	Shimizu	.....	D14/391
D601,148 S *	9/2009	Akita	.....	D14/391
D630,751 S *	1/2011	Yanase et al.	.....	D24/158
D648,338 S *	11/2011	Raeber et al.	.....	D14/392
D680,947 S *	4/2013	Raeber et al.	.....	D13/102
2005/0040972 A1 *	2/2005	Hamada et al.	.....	341/22
2007/0166019 A1 *	7/2007	Kitahara	.....	396/51

\* cited by examiner

*Primary Examiner* — Freda S Nunn

(74) *Attorney, Agent, or Firm* — Rathe Lindenbaum LLP

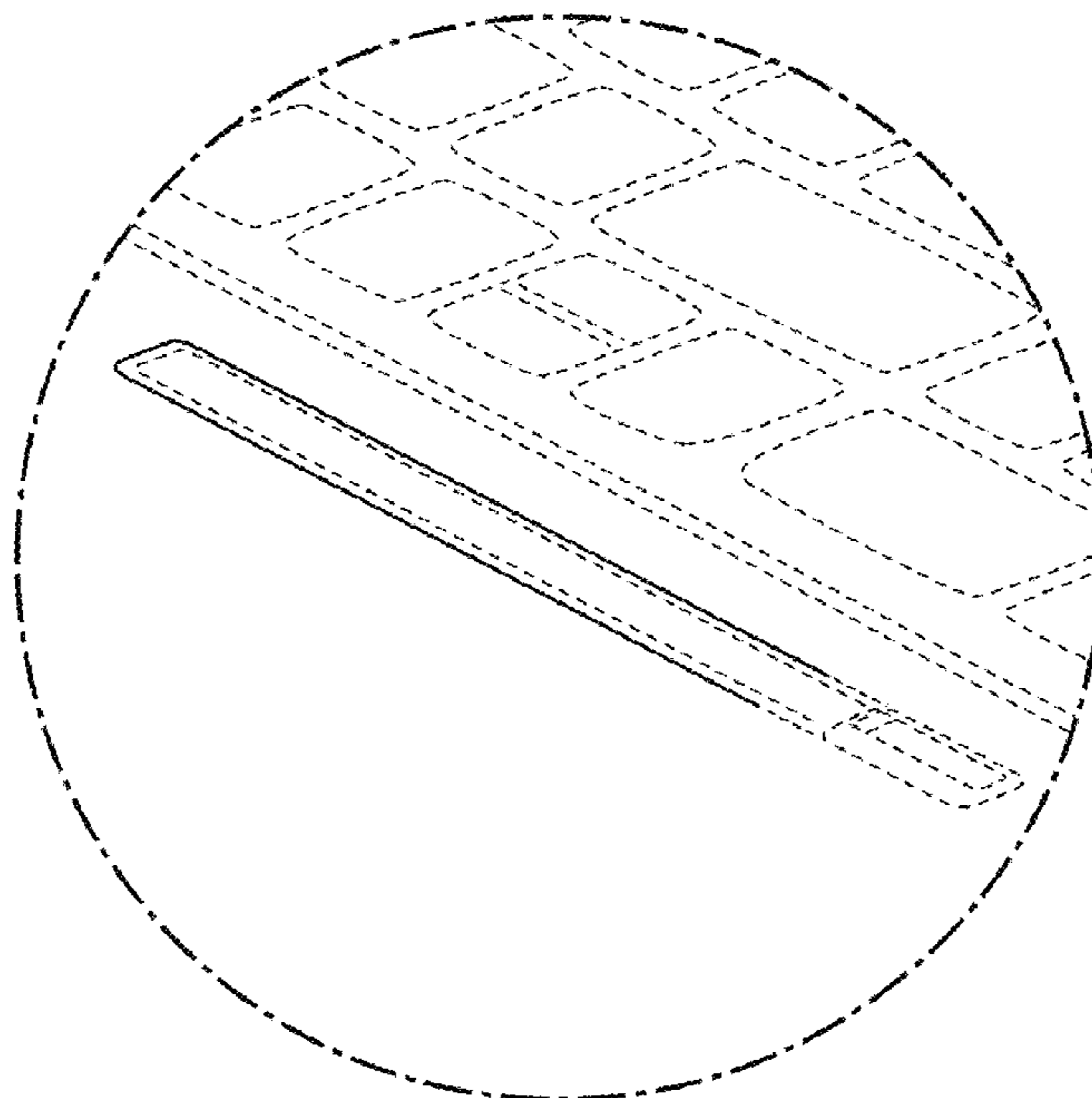
(57) **CLAIM**

We claim the ornamental design for a computer, as shown and described.

**DESCRIPTION**

FIG. 1 is a front perspective view of a computer;  
FIG. 2 is an enlarged view thereof taken along the line 2-2 of FIG. 1;  
FIG. 3 is a top plan view thereof;  
FIG. 4 is a front view thereof;  
FIG. 5 is a left side view thereof;  
FIG. 6 is an enlarged view thereof taken along line 6-6 of FIG. 5;  
FIG. 7 is a right side view thereof; and,  
FIG. 8 is an enlarged view thereof taken along line 8-8 of FIG. 7.  
The dash-dash broken lines in the drawings are environmental lines which do not form part of the claimed design. The short dash-long dash lines are boundary lines which do not form part of the claimed design.

**1 Claim, 5 Drawing Sheets**



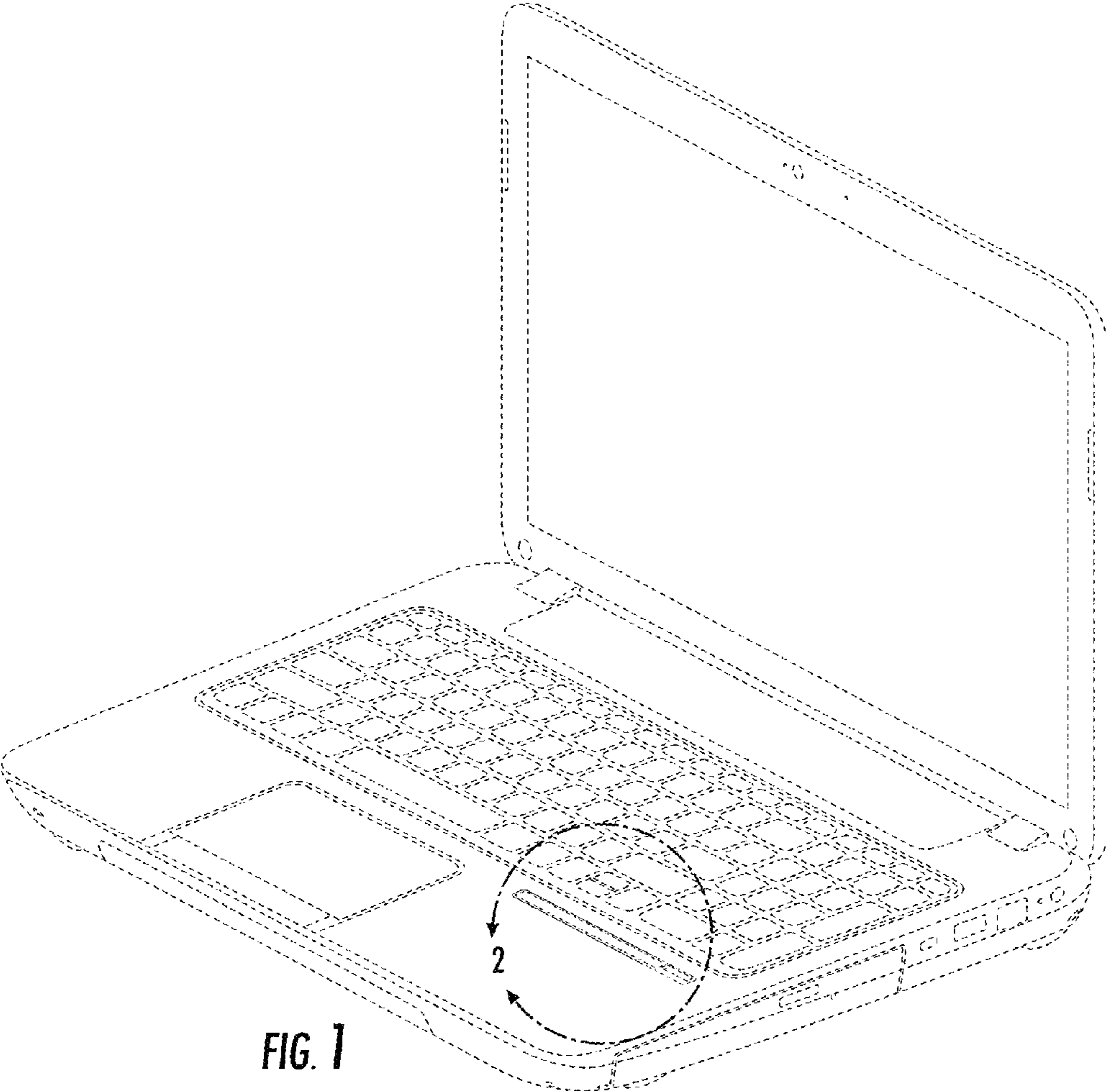


FIG. 1

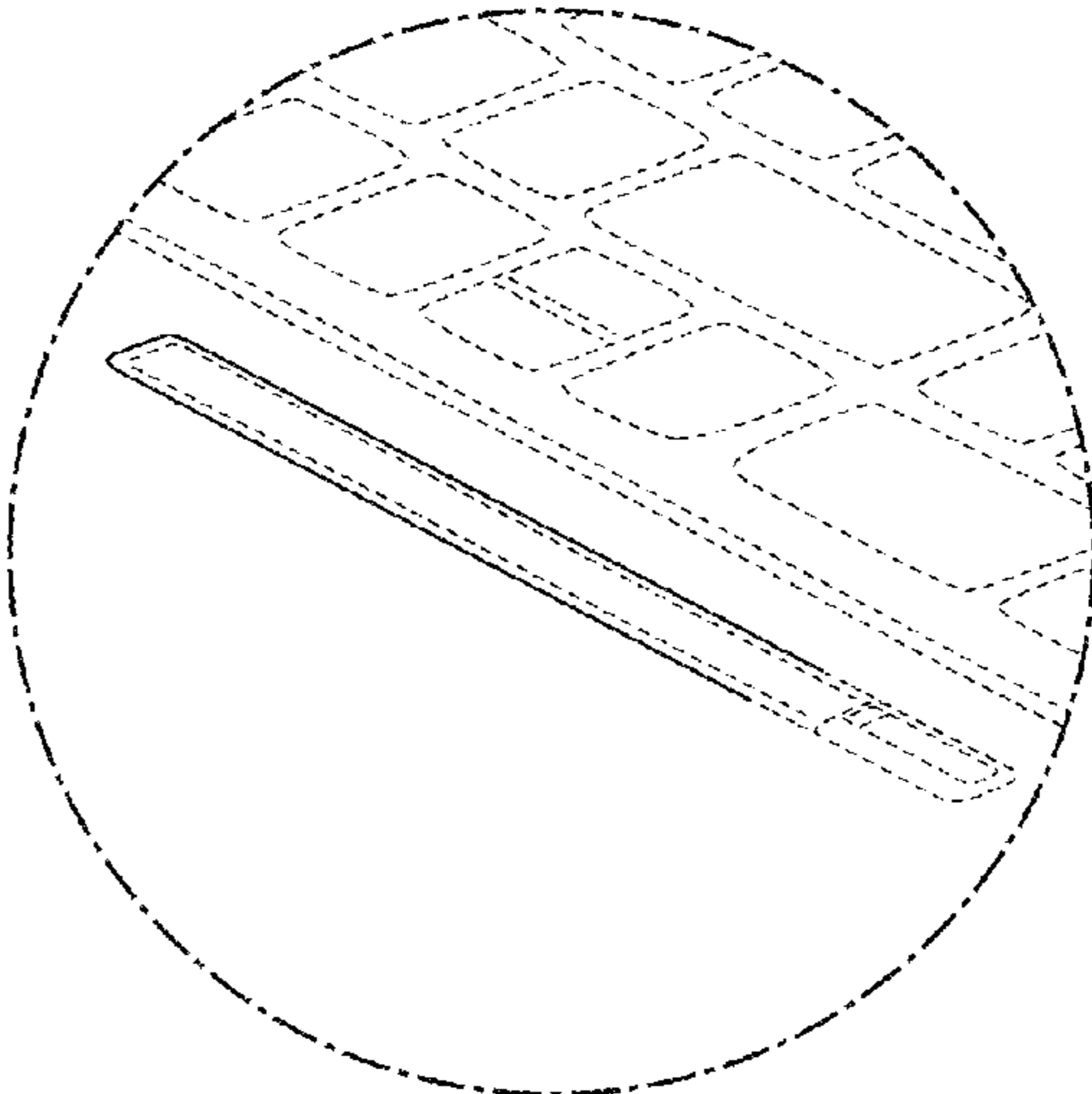


FIG. 2

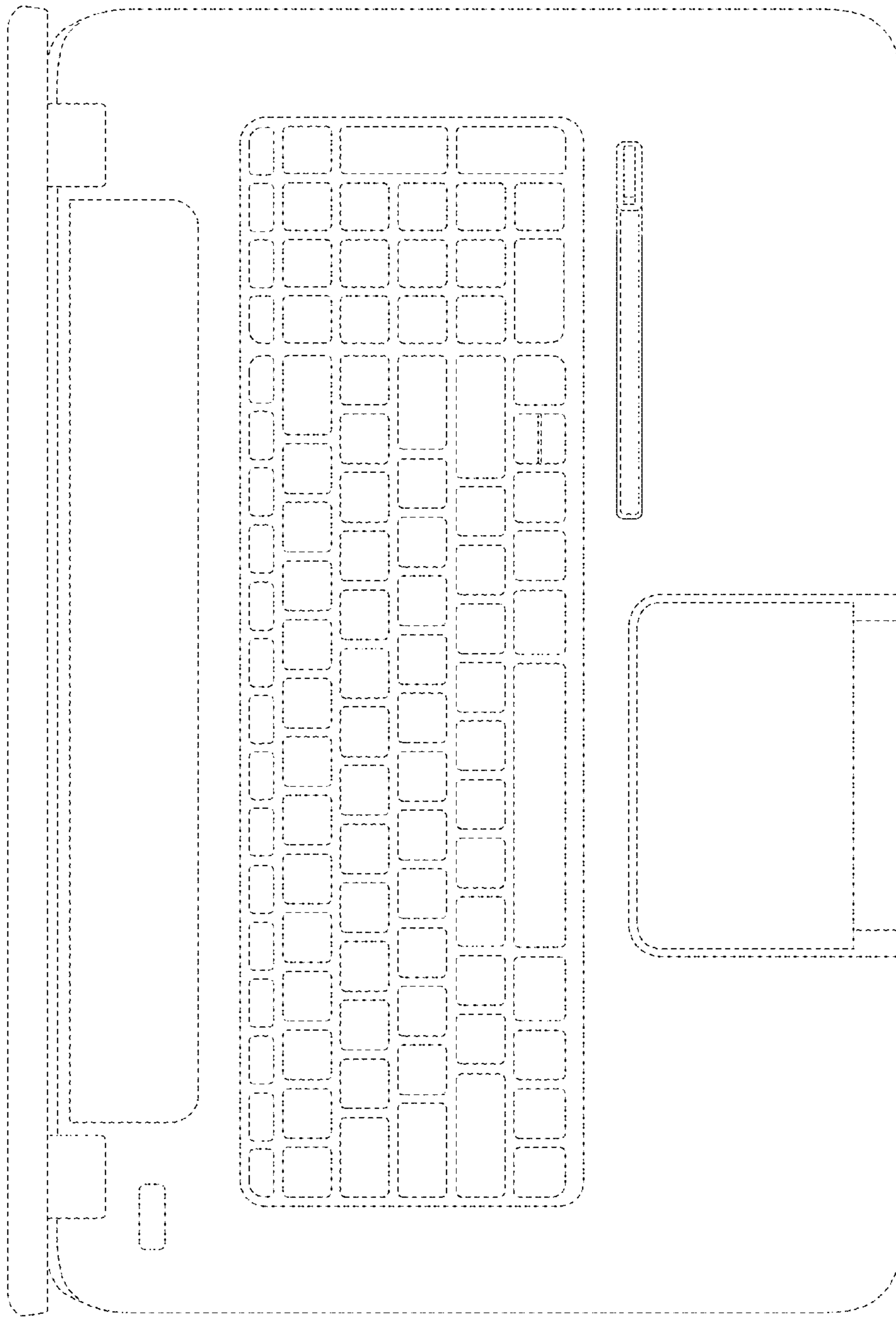


FIG. 3

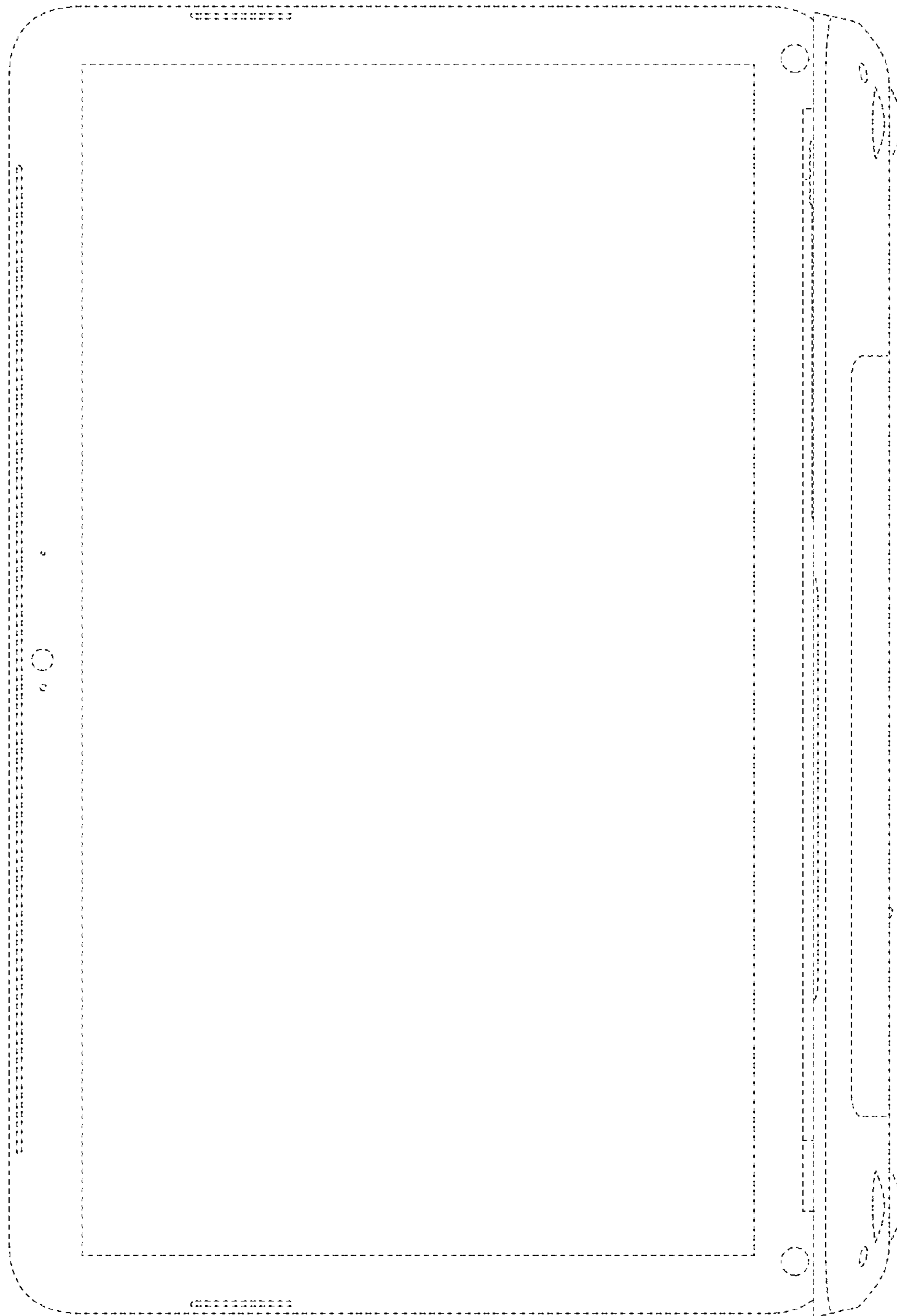


FIG. 4

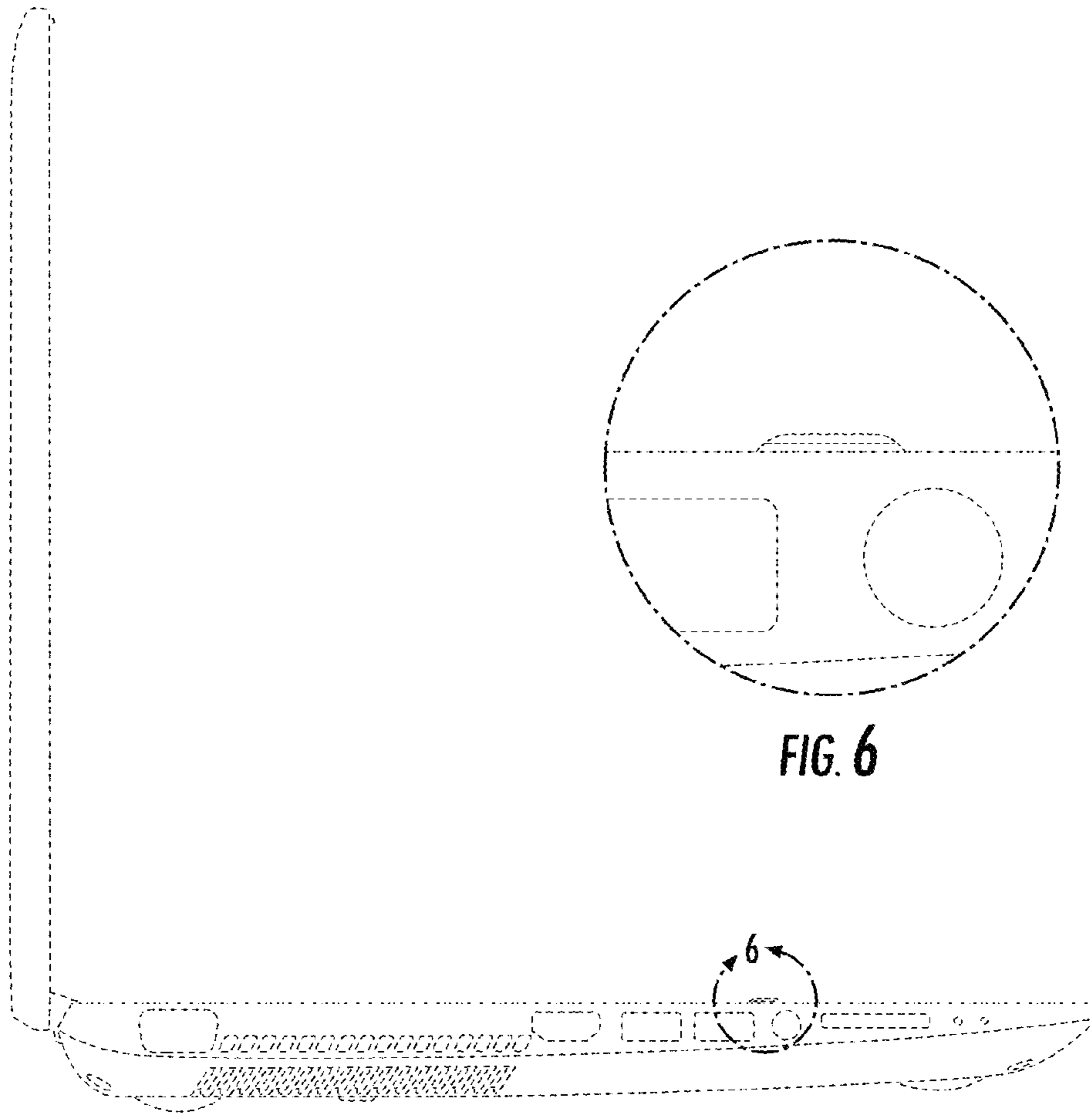


FIG. 6

FIG. 5

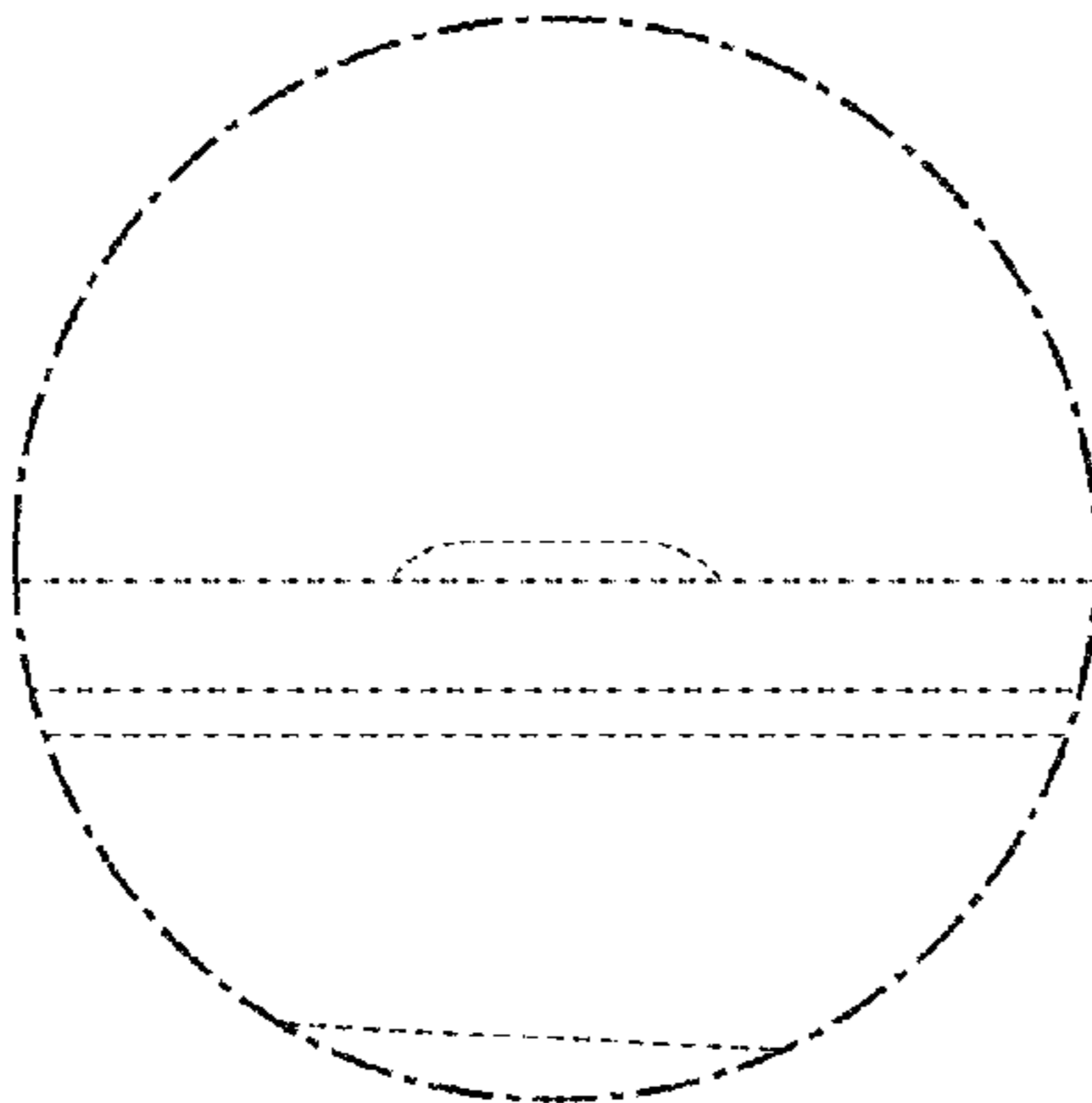


FIG. 8

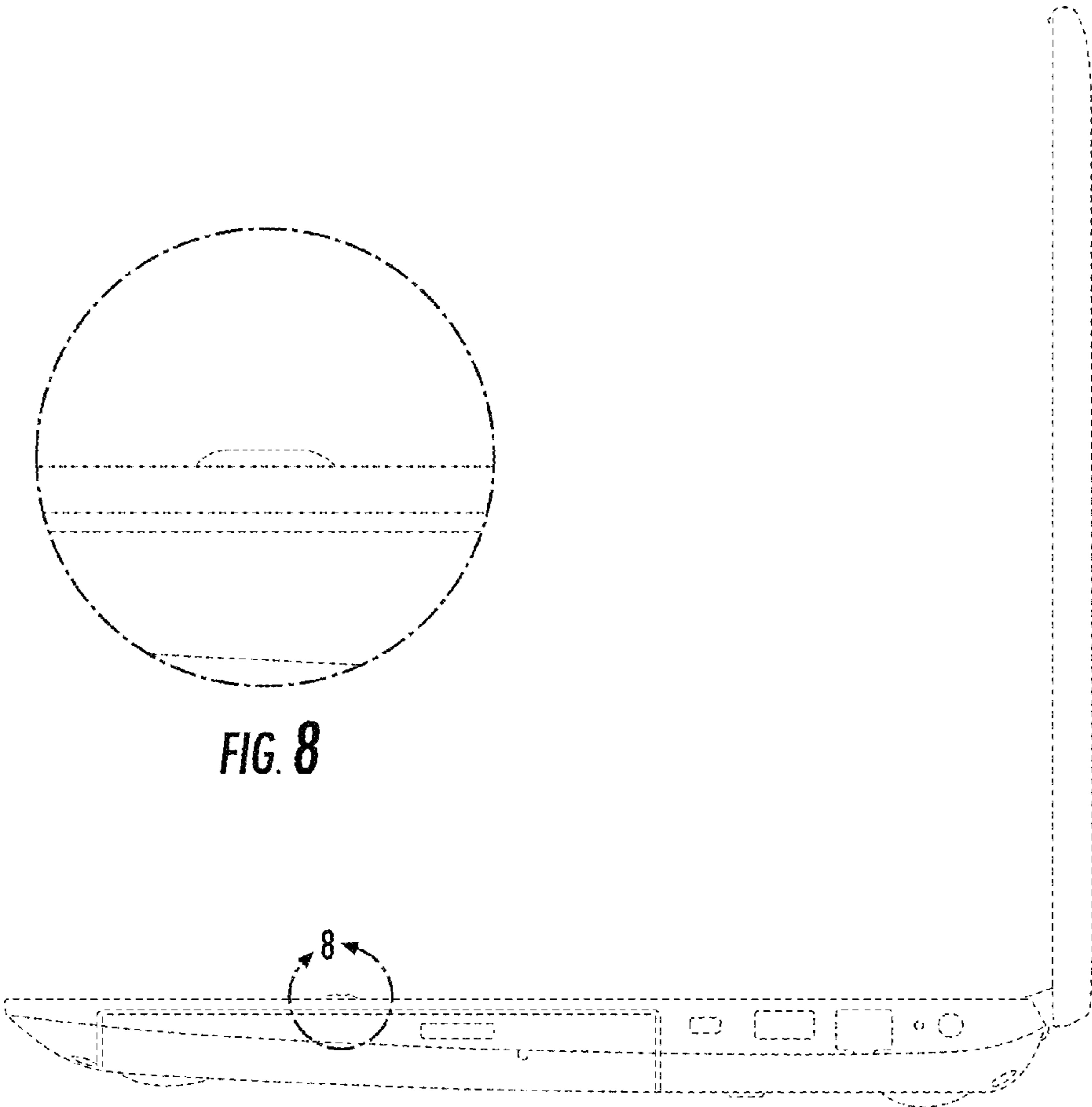


FIG. 7