

US00D731474S

(12) **United States Design Patent**
Leibenhaut et al.

(10) **Patent No.:** **US D731,474 S**
(45) **Date of Patent:** **** Jun. 9, 2015**

(54) **FACEPLATE FOR A HOLDER FOR A
HAND-HELD ELECTRONIC
COMMUNICATION DEVICE**

(71) Applicants: **Leonard M. Leibenhaut**, Hartford, CT
(US); **Paul Santarsiero**, Avon, CT (US)

(72) Inventors: **Leonard M. Leibenhaut**, Hartford, CT
(US); **Paul Santarsiero**, Avon, CT (US)

(73) Assignee: **Leonard M. Leibenhaut**, Hartford, CT
(US)

(**) Term: **14 Years**

(21) Appl. No.: **29/463,874**

(22) Filed: **Mar. 24, 2014**

(51) **LOC (10) Cl.** **14-03**

(52) **U.S. Cl.**
USPC **D14/253**

(58) **Field of Classification Search**
USPC D14/137, 140, 140.8, 142, 204, 209.1,
D14/217, 221, 243-256, 434, 440, 444-447,
D14/238.1; D8/400-404, 499; D2/861;
D3/215, 218, 304, 269; D6/467, 300,
D6/310, 553-574; D25/318; 292/342, 343;
248/188.2; 348/373, 376; D12/415,
D12/411, 416, 422; D19/87, 90; 455/573,
455/575.1, 575.9; D10/74
CPC H04M 1/00
See application file for complete search history.

(56) **References Cited**

U.S. PATENT DOCUMENTS

4,154,990	A *	5/1979	Gumb	379/436
D276,229	S *	11/1984	Heilner	D14/253
D278,057	S *	3/1985	McMaster	D14/253
D308,062	S *	5/1990	Leoni et al.	D14/253
D312,650	S *	12/1990	Charrier	D16/242
D323,828	S *	2/1992	Martinsen et al.	D14/253
D323,829	S *	2/1992	Martinsen et al.	D14/253

D338,471	S *	8/1993	Evenson et al.	D14/251
D358,270	S *	5/1995	Diamond	D6/419
5,457,745	A	10/1995	Wang	
D438,855	S *	3/2001	Chan	D14/147
6,246,764	B1 *	6/2001	Owen et al.	379/449
6,535,606	B2 *	3/2003	Cox	379/449
D548,457	S	8/2007	Reinerio	

(Continued)

FOREIGN PATENT DOCUMENTS

KR 101278259 B1 6/2013

Primary Examiner — Susan Bennett Hattan

Assistant Examiner — Janice Hallmark

(74) *Attorney, Agent, or Firm* — Ira S. Dorman

(57) **CLAIM**

We claim the ornamental design for a faceplate for a holder for a hand-held electronic communication device, as shown and described.

DESCRIPTION

FIG. 1 is perspective view of a faceplate, for a holder for a hand-held electronic communication device, embodying the present invention;

FIG. 2 is a front view of the faceplate;

FIG. 3 is a bottom end elevational view of the faceplate;

FIG. 4 is a top end elevational view of the faceplate;

FIG. 5 is a back view of the faceplate;

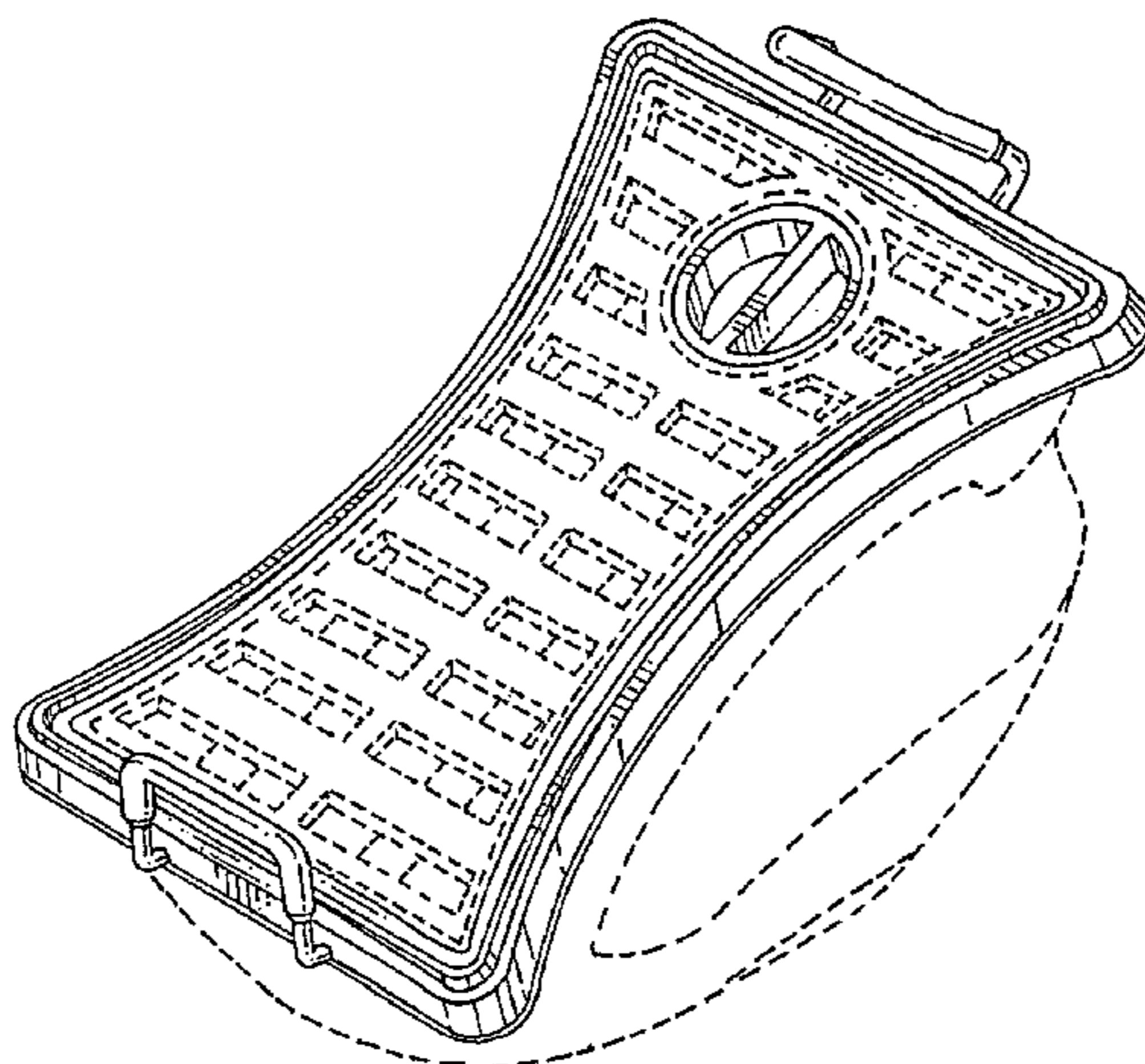
FIG. 6 is an elevational view of one side of the faceplate, the opposite side elevational view being a mirror image thereof; and,

FIG. 7 is a back view of the faceplate, separate from the holder.

The broken line showing of FIGS. 1, 2, 3, 4, 5, and 6 are for the purpose of illustrating environment, and forms no part of the claimed design, and the broken line showing of FIG. 7 represents the bounds of the claimed design.

The characteristic feature of the claimed design resides in its hourglass-like profile.

1 Claim, 4 Drawing Sheets



(56)

References Cited

U.S. PATENT DOCUMENTS

D560,525 S *	1/2008	Skelton et al.	D10/74	D714,773 S *	10/2014	Derrig	D14/253
D566,590 S *	4/2008	Stevens et al.	D10/74	8,861,714 B1 *	10/2014	Leibenhaut et al.	379/449
D624,837 S *	10/2010	Liu	D10/74	8,882,062 B2 *	11/2014	Piccolo	248/160
8,083,200 B2 *	12/2011	Opresnik	248/441.1	D719,144 S *	12/2014	Eulette	D14/250
D654,493 S *	2/2012	Baumann et al.	D14/253	D719,951 S *	12/2014	Fenton	D14/253
D654,751 S *	2/2012	Newnam	D6/601	2002/0009195 A1	1/2002	Schon		
8,205,850 B2 *	6/2012	Opresnik	248/441.1	2007/0045495 A1	3/2007	Asano et al.		
D666,995 S *	9/2012	TerMeer	D14/217	2007/0223745 A1	9/2007	Eaton et al.		
D679,700 S *	4/2013	Werth	D14/253	2008/0268793 A1	10/2008	Nelson et al.		
8,412,289 B1	4/2013	Oh			2009/0184145 A1	7/2009	Yeh		
8,428,665 B1	4/2013	Crome et al.			2010/0320341 A1 *	12/2010	Baumann et al.	248/206.2
D695,732 S *	12/2013	Baumann et al.	D14/253	2012/0024619 A1	2/2012	Lin		
8,596,412 B1	12/2013	Jorgensen			2012/0027237 A1	2/2012	Lin		
8,616,327 B1	12/2013	Palacios			2012/0037783 A1	2/2012	Alexander et al.		
D703,659 S *	4/2014	Werth	D14/253	2012/0312936 A1	12/2012	Huang		
					2013/0048413 A1	2/2013	Patzer		
					2014/0003021 A1	1/2014	Bury		
					2014/0028243 A1 *	1/2014	Rayner	320/103

* cited by examiner

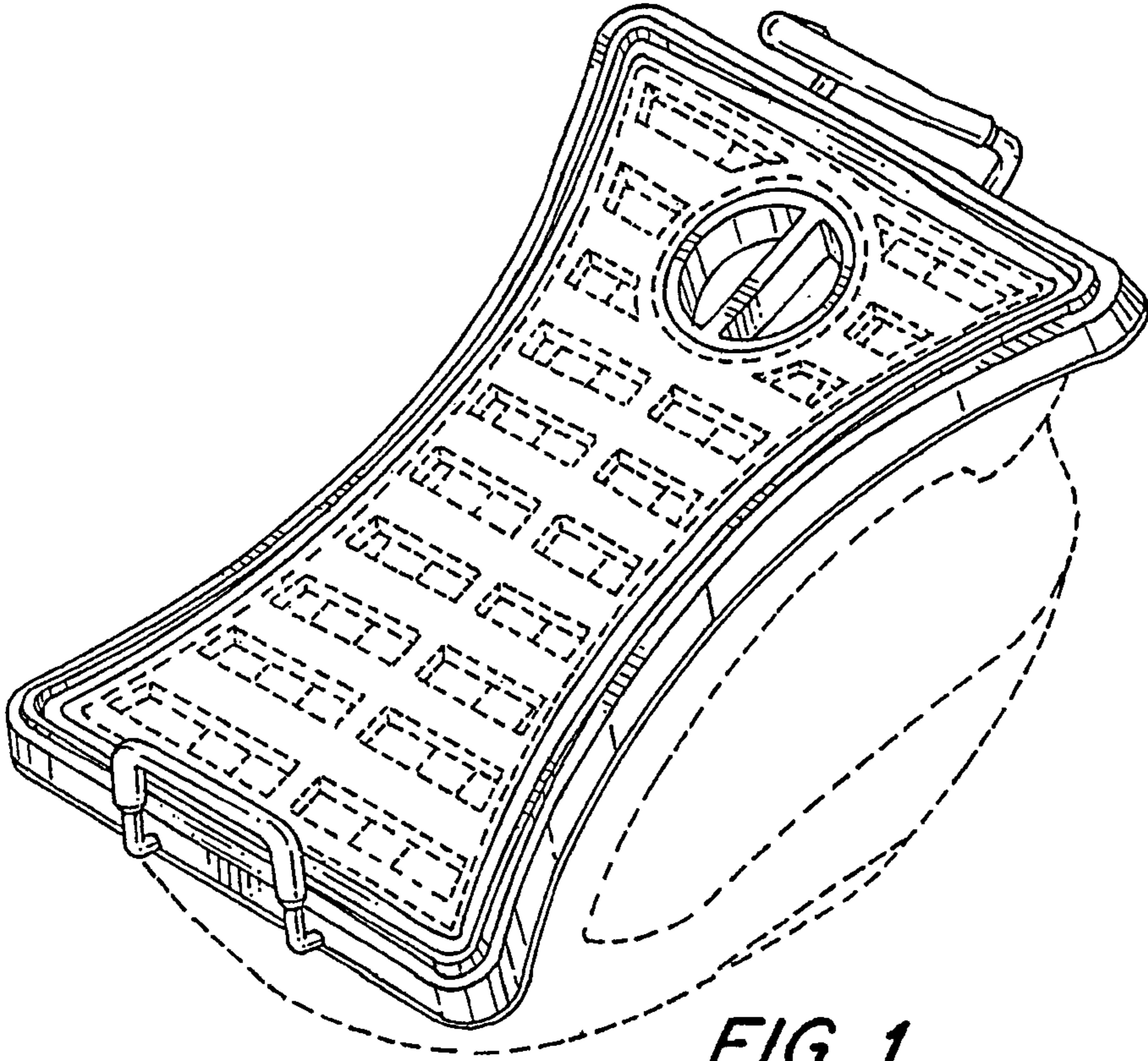


FIG. 1

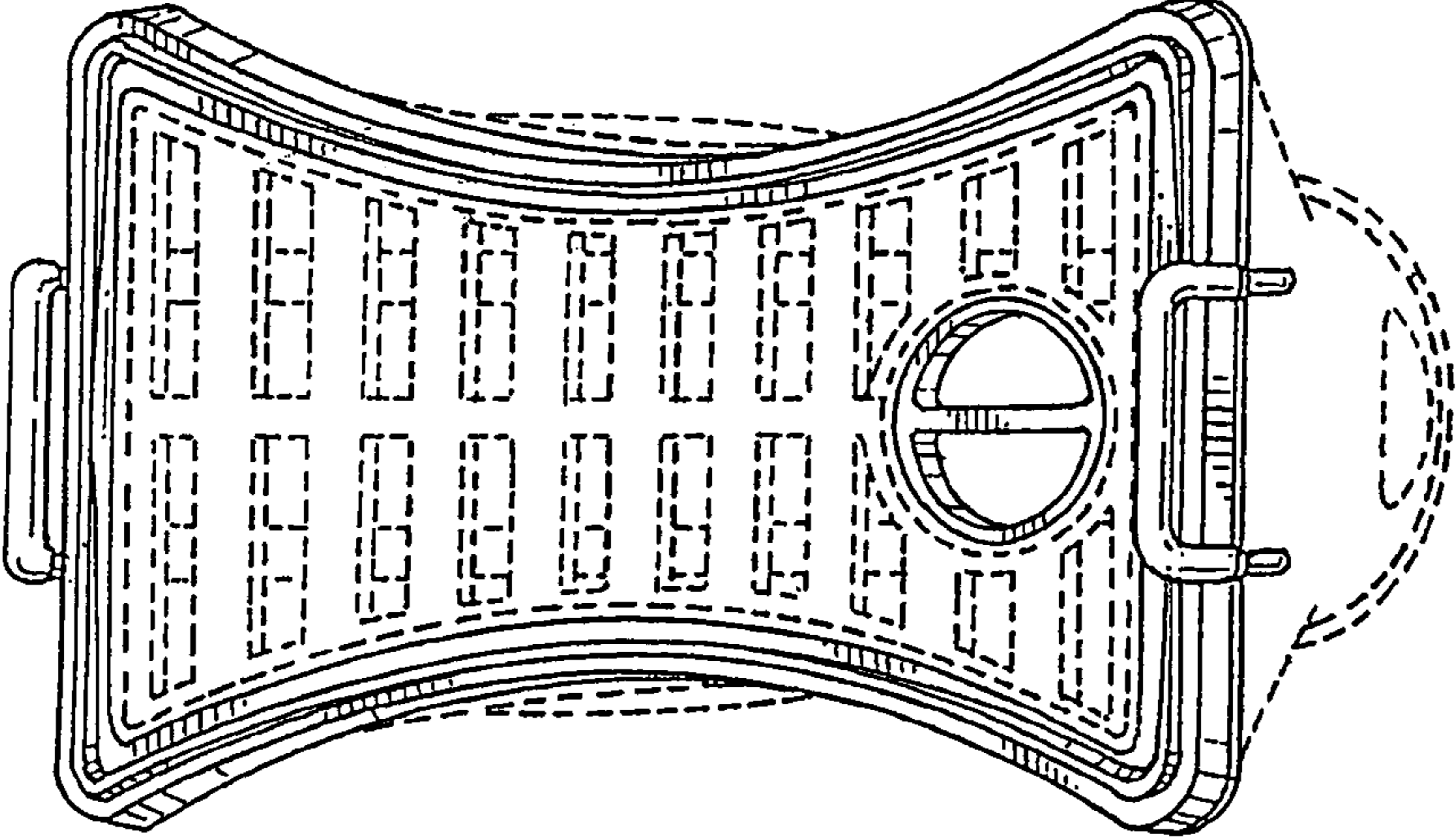


FIG. 2

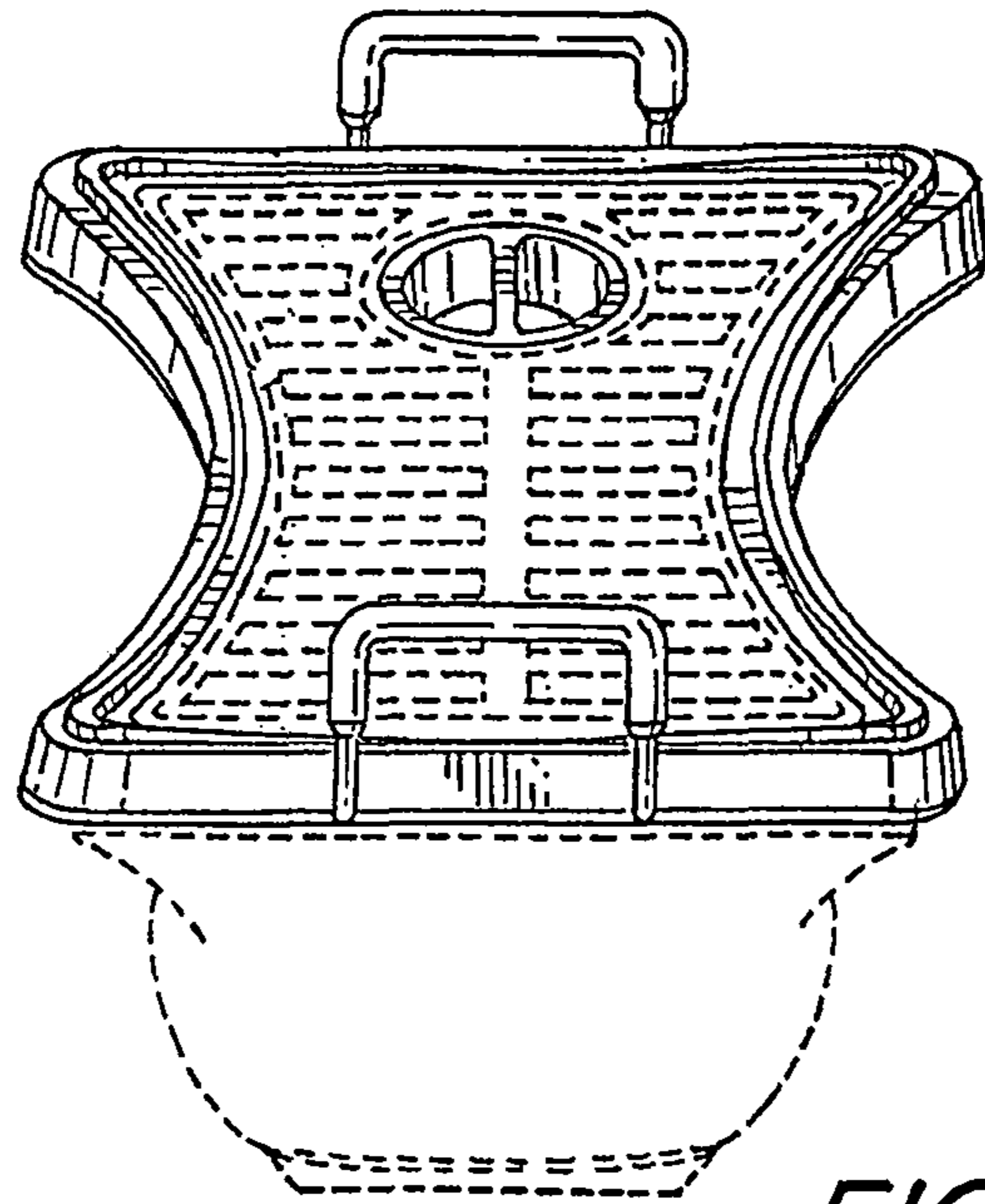


FIG. 3

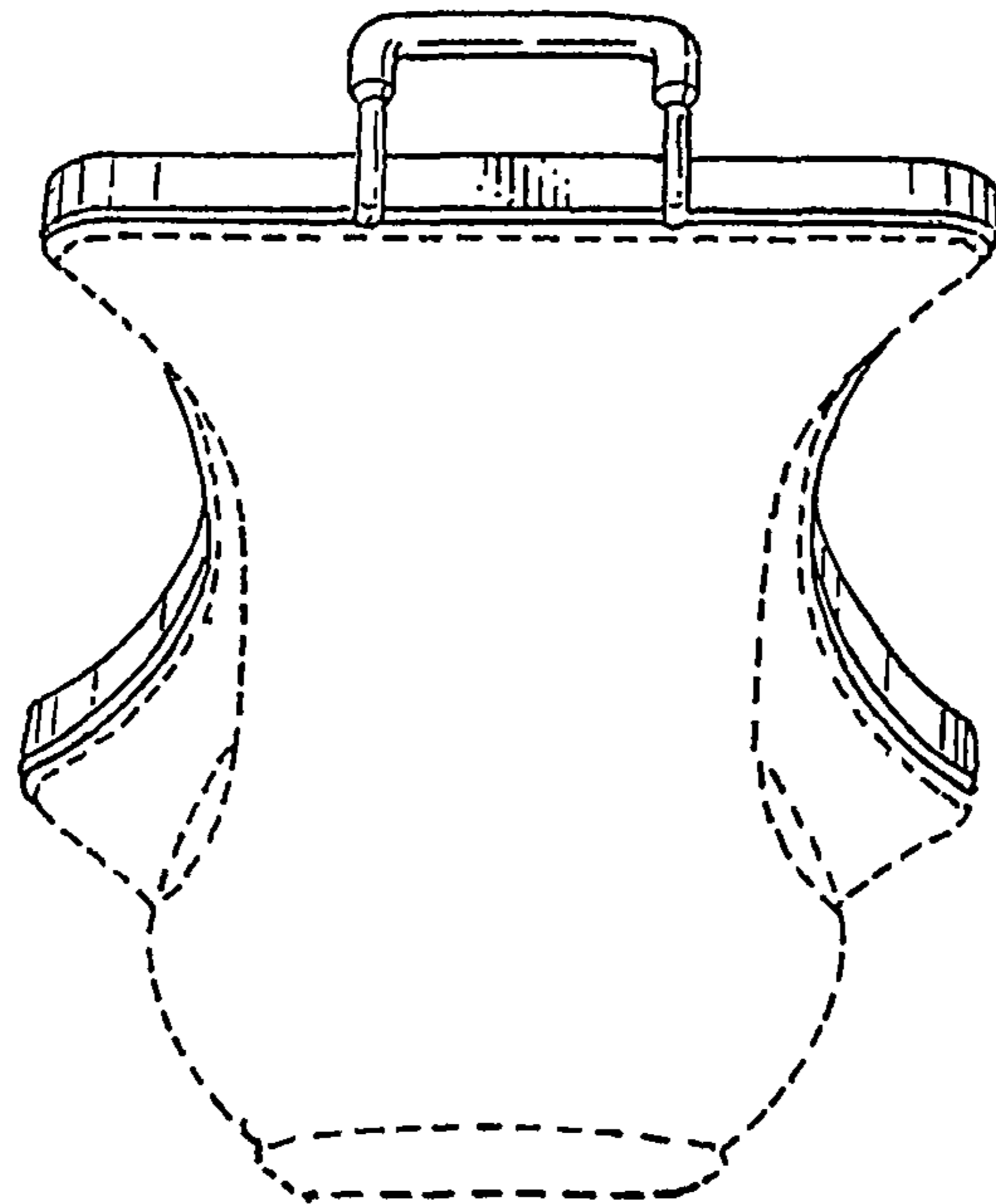


FIG. 4

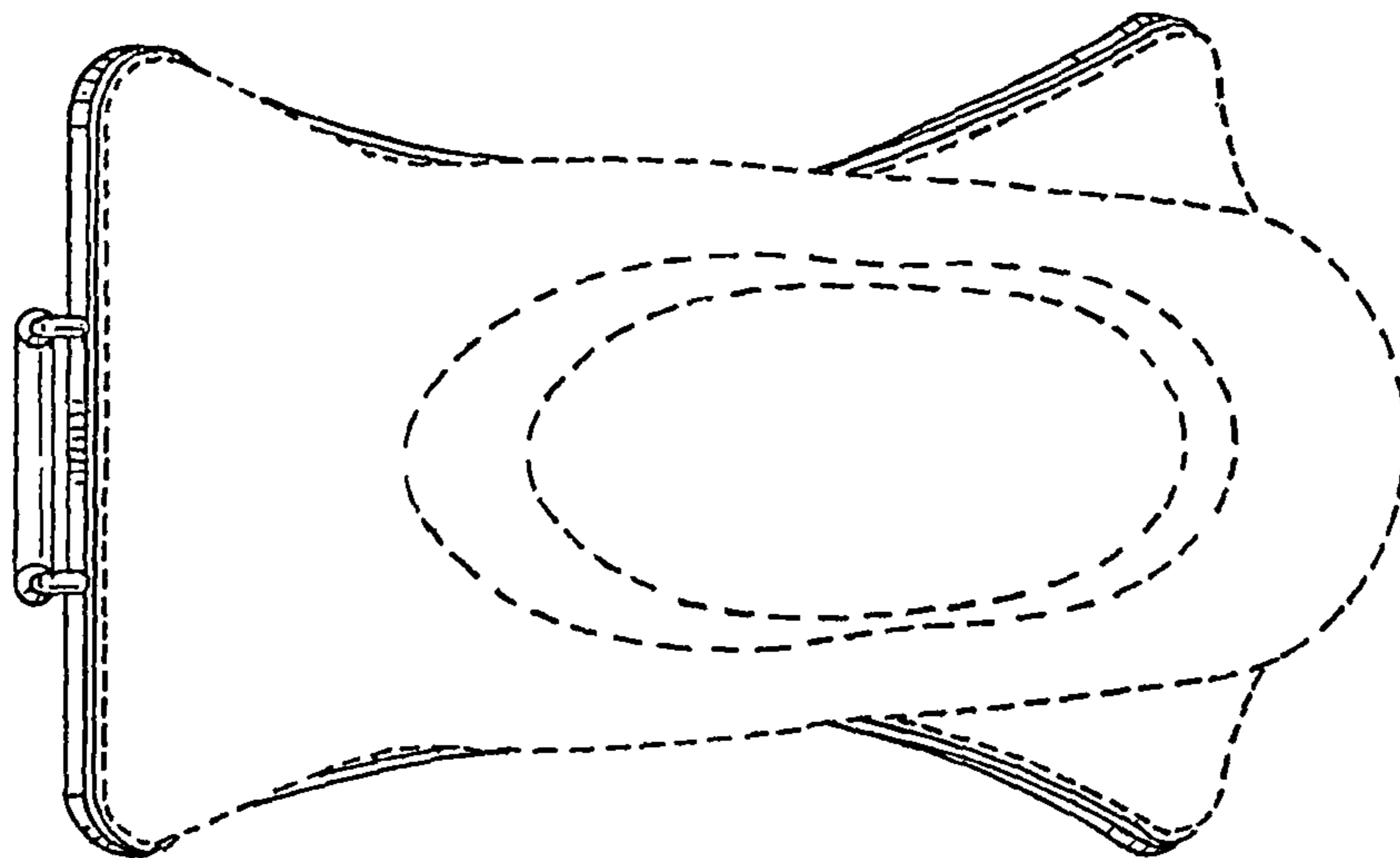


FIG. 5

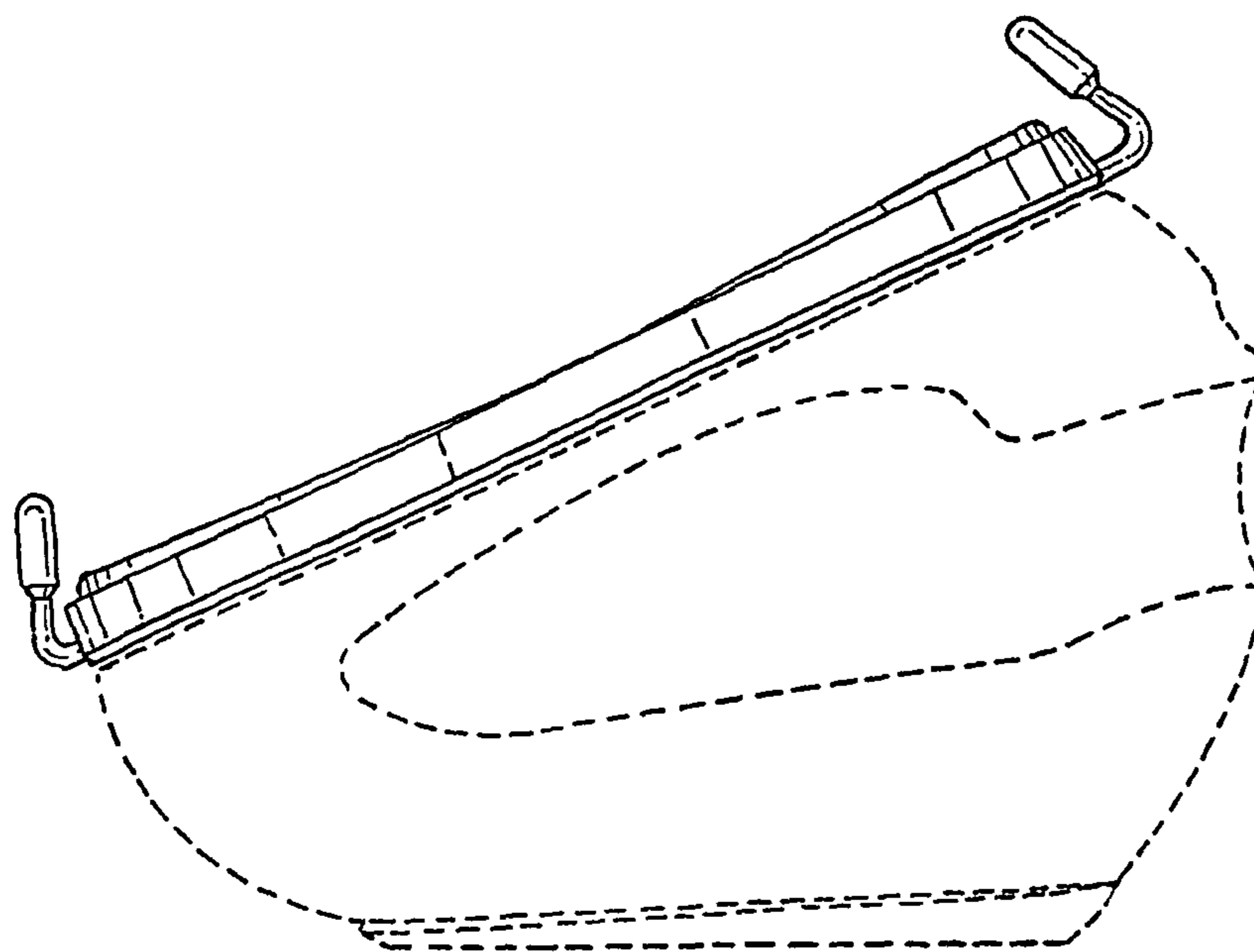


FIG. 6

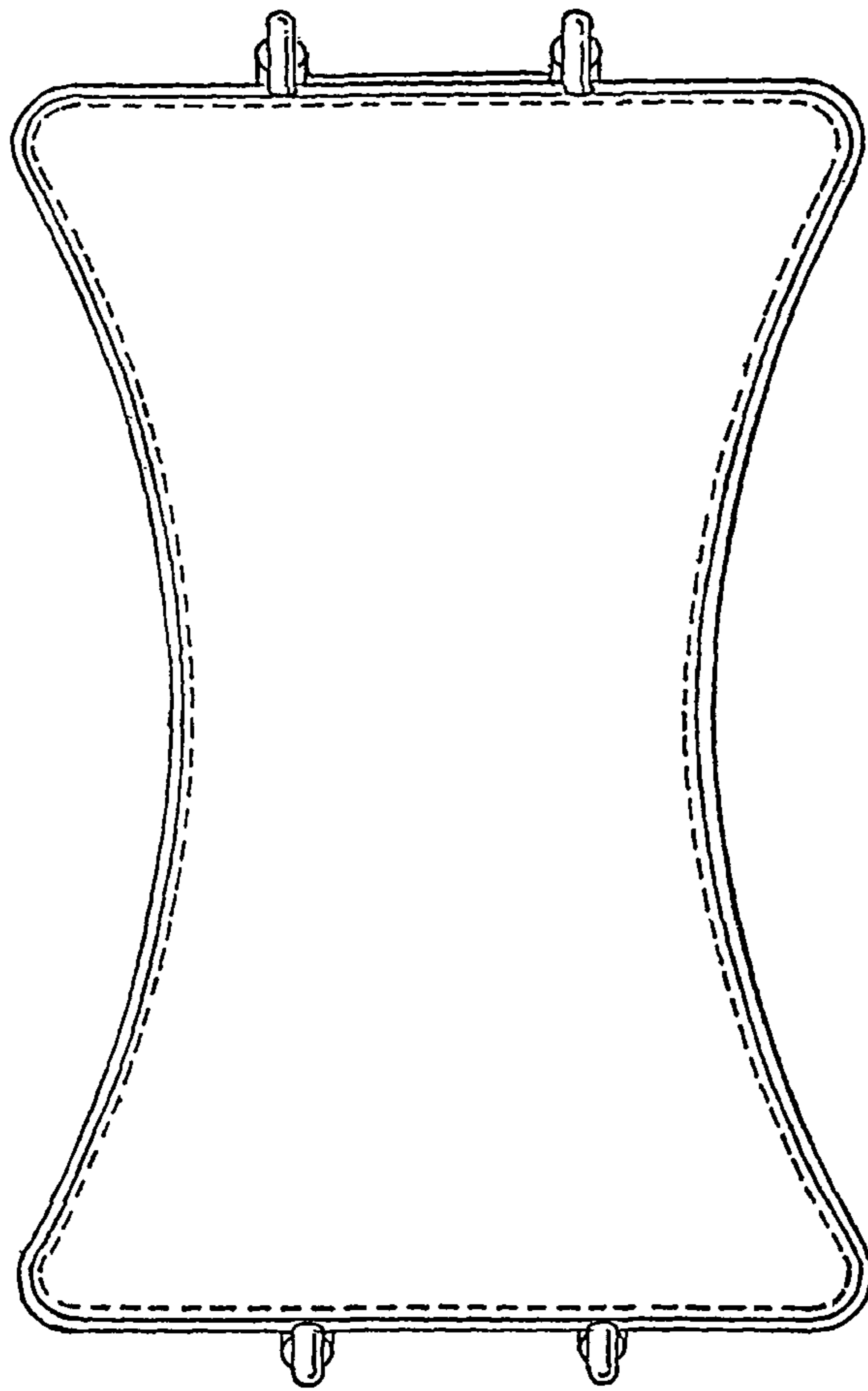


FIG. 7