



US00D731473S

(12) **United States Design Patent**
Akana et al.

(10) **Patent No.:** **US D731,473 S**
(45) **Date of Patent:** **** Jun. 9, 2015**

(54) **CASE FOR ELECTRONIC DEVICE**

(71) Applicant: **Apple Inc.**, Cupertino, CA (US)

(72) Inventors: **Jody Akana**, San Francisco, CA (US);
Bartley K. Andre, Palo Alto, CA (US);
Shota Aoyagi, San Francisco, CA (US);
Jeremy Bataillou, San Francisco, CA
(US); **Daniel J. Coster**, San Francisco,
CA (US); **Daniele De Iuliis**, San
Francisco, CA (US); **M. Evans Hankey**,
San Francisco, CA (US); **Julian Hoenig**,
San Francisco, CA (US); **Richard P.**
Howarth, San Francisco, CA (US);
Jonathan P. Ive, San Francisco, CA
(US); **Duncan Robert Kerr**, San
Francisco, CA (US); **Matthew Dean**
Rohrbach, San Francisco, CA (US);
Peter Russell-Clarke, San Francisco,
CA (US); **Mikael Silvanto**, San
Francisco, CA (US); **Christopher J.**
Stringer, Woodside, CA (US); **Eugene**
Antony Whang, San Francisco, CA
(US); **Rico Zörkendörfer**, San
Francisco, CA (US)

(73) Assignee: **Apple Inc.**, Cupertino, CA (US)

(**) Term: **14 Years**

(21) Appl. No.: **29/469,647**

(22) Filed: **Oct. 11, 2013**

Related U.S. Application Data

(63) Continuation-in-part of application No. 29/466,599,
filed on Sep. 10, 2013.

(51) **LOC (10) Cl.** **14-03**

(52) **U.S. Cl.**
USPC **D14/250**

(58) **Field of Classification Search**
USPC D14/250–253, 440, 203.3–203.7, 217,
D14/496, 248, 238.1, 240, 447, 205;
D3/201, 218, 269, 301, 273, 303, 208;

D13/103, 107–108; 220/4.02;
248/309.1; 361/679.56; 379/426,
379/433.11, 455; 455/575.1, 575.8;
190/100; 206/305, 320; D8/356
CPC A45C 2011/002; A45C 11/00; A45C
13/002; A45C 2011/003; H04M 1/0283;
H04M 1/0202
See application file for complete search history.

(56) **References Cited**

U.S. PATENT DOCUMENTS

D114,891 S 5/1939 Fogel
D191,070 S 8/1961 McCreery

(Continued)

FOREIGN PATENT DOCUMENTS

EM 000581210-0001 A1 9/2006
EM 002085373-0001 A1 8/2012

(Continued)

Primary Examiner — Carla Jobe Wright

Assistant Examiner — Holly E Thurman

(74) *Attorney, Agent, or Firm* — Sterne, Kessler, Goldstein
& Fox P.L.L.C.

(57) **CLAIM**

The ornamental design for a case for electronic device, as
shown and described.

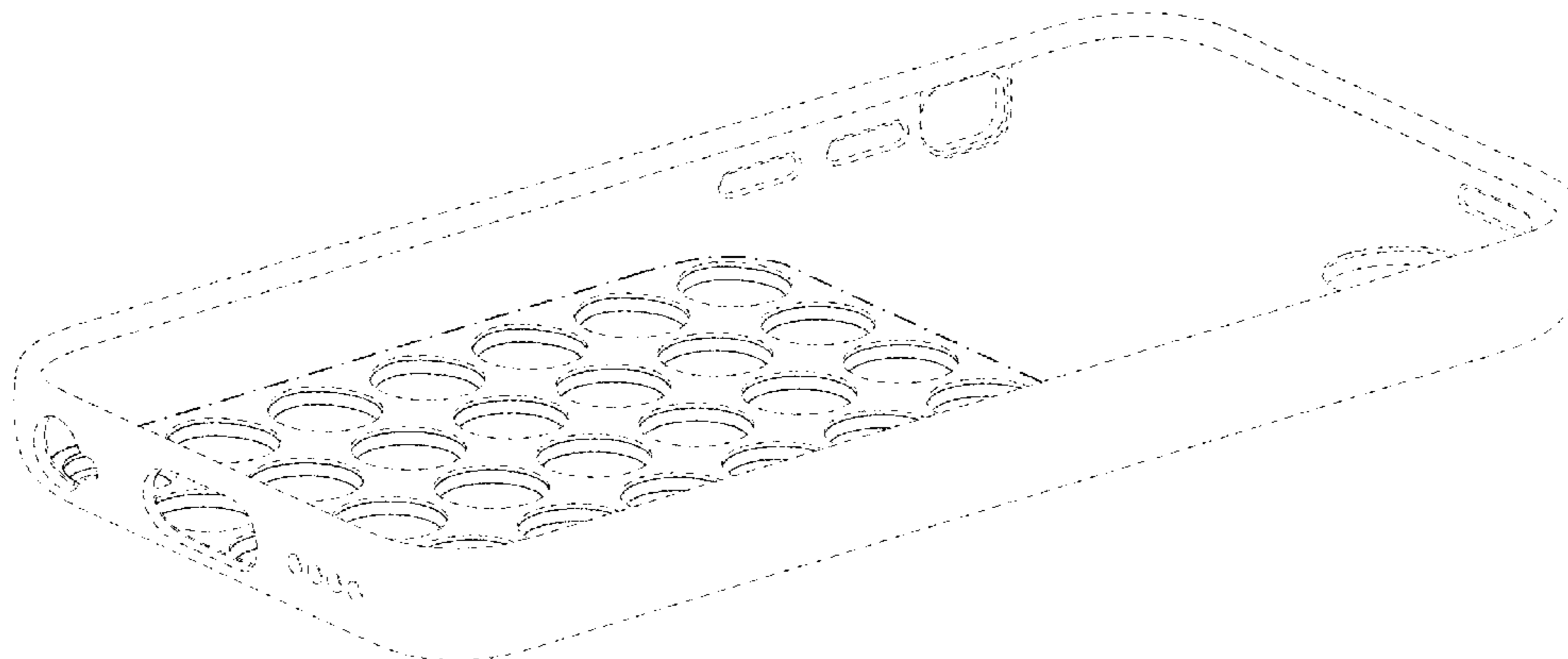
DESCRIPTION

FIG. 1 is a bottom front perspective view of a case for elec-
tronic device showing our new design;
FIG. 2 is a top rear perspective view thereof;
FIG. 3 is a front view thereof;
FIG. 4 is a rear view thereof;
FIG. 5 is a left side view thereof;
FIG. 6 is a right side view thereof;
FIG. 7 is a top view thereof; and,
FIG. 8 is a bottom view thereof.

The dash-dash broken lines in the figures show unclaimed
portions of the case for electronic device and form no part of
the claimed design.

The dot-dash broken lines in the figures represent boundaries
of the claimed design and form no part of the claimed design.

1 Claim, 6 Drawing Sheets



(56)

References Cited

U.S. PATENT DOCUMENTS

D332,664 S * 1/1993 Sincock D24/227
 D411,448 S 6/1999 Baker
 D556,681 S 12/2007 Kim
 D574,819 S 8/2008 Andre et al.
 D575,056 S 8/2008 Tan
 7,697,281 B2 4/2010 Dabov et al.
 D619,361 S 7/2010 Andre et al.
 D622,716 S 8/2010 Andre et al.
 D623,180 S 9/2010 Diebel
 D624,403 S 9/2010 Hansen et al.
 7,796,381 B2 9/2010 Zuo et al.
 D624,815 S 10/2010 Hansen et al.
 D625,524 S 10/2010 Schwartz et al.
 D641,347 S * 7/2011 Fathollahi D14/250
 D647,519 S 10/2011 Rothbaum et al.
 D648,718 S 11/2011 Andre et al.
 D662,503 S 6/2012 Akana et al.
 8,250,724 B2 8/2012 Dabov et al.
 D668,246 S * 10/2012 Fathollahi D14/250

D669,458 S 10/2012 Wilson et al.
 D675,604 S 2/2013 Limber et al.
 D677,664 S 3/2013 Akana et al.
 D681,032 S 4/2013 Akana et al.
 D682,817 S * 5/2013 Murchison et al. D14/250
 8,443,971 B1 * 5/2013 Green et al. 206/320
 D694,226 S * 11/2013 Thompson et al. D14/250
 D697,068 S 1/2014 Andre et al.
 D699,717 S 2/2014 Akana et al.
 D717,775 S * 11/2014 Hemesath et al. D14/250
 D722,309 S * 2/2015 Green et al. D14/250
 2007/0259247 A1 * 11/2007 Kibune et al. 429/34
 2008/0182633 A1 * 7/2008 Imaizumi et al. 455/575.1
 2010/0146766 A1 6/2010 Dabov et al.
 2012/0274195 A1 * 11/2012 Thompson et al. 312/237

FOREIGN PATENT DOCUMENTS

KR 30-0408147 S 3/2006
 TW D125373 S 10/2008
 TW D145513 S1 2/2012

* cited by examiner

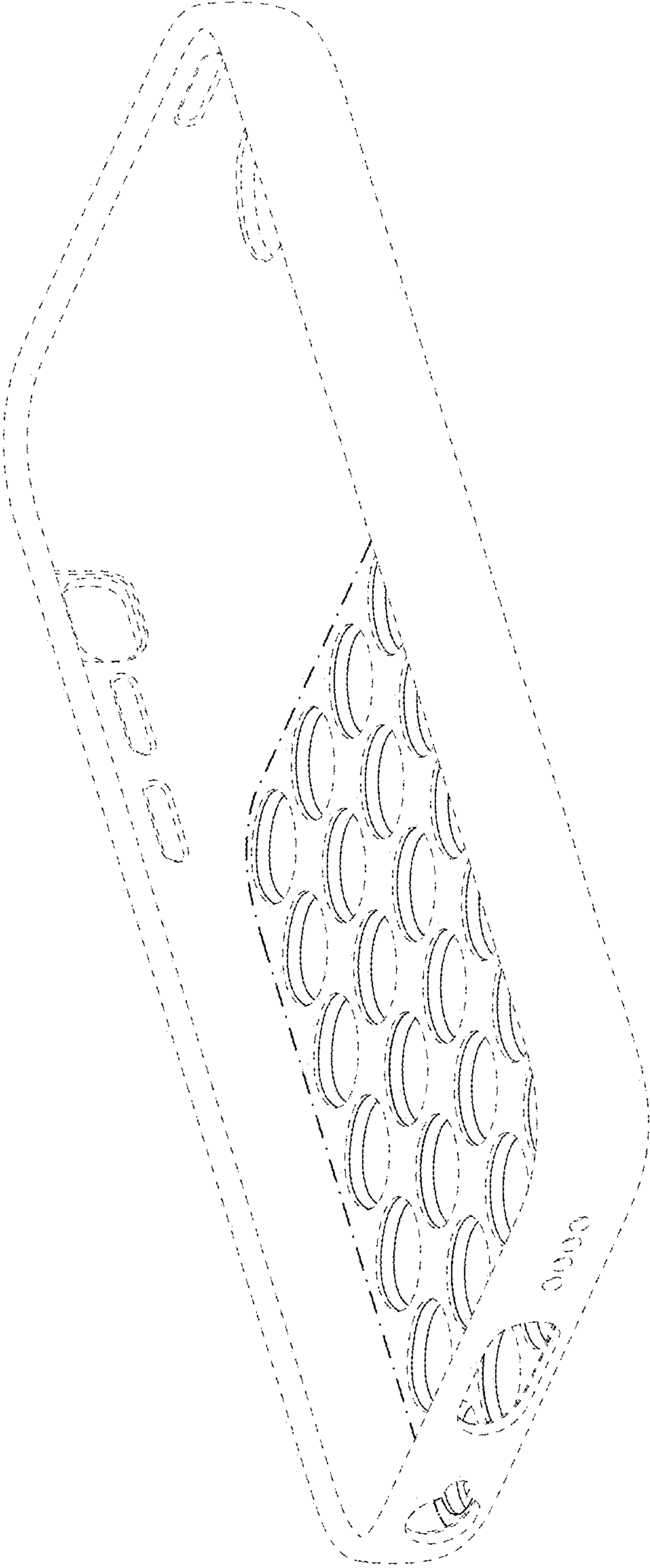


FIG. 1

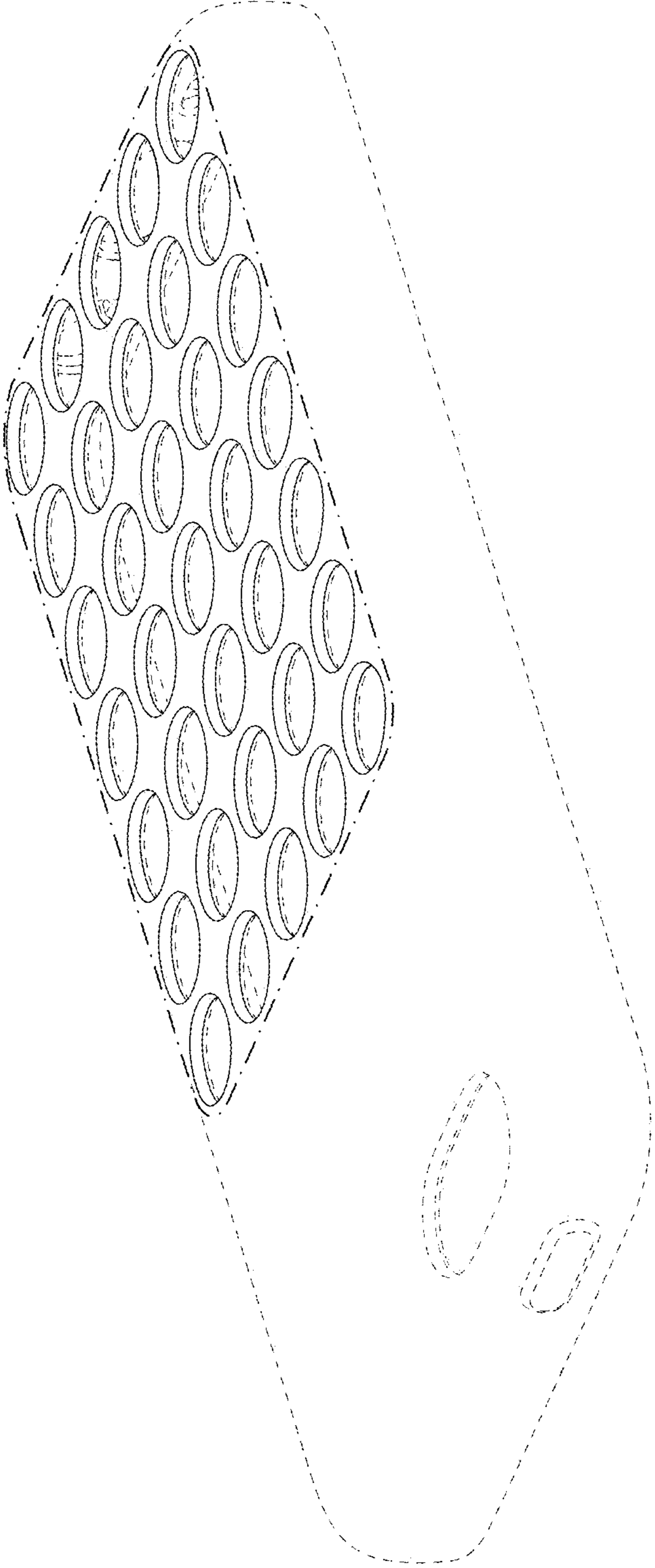


FIG. 2

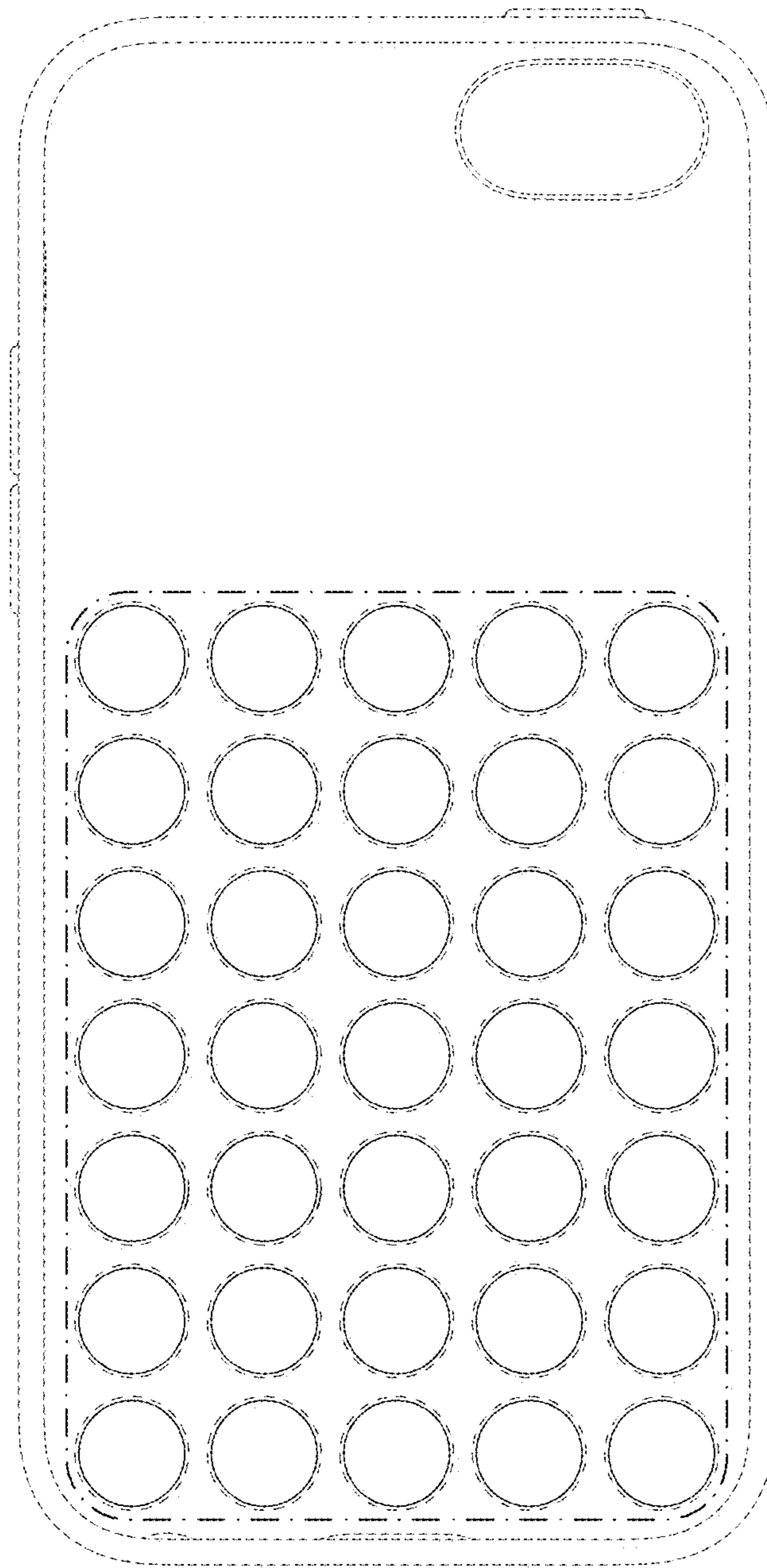


FIG. 3

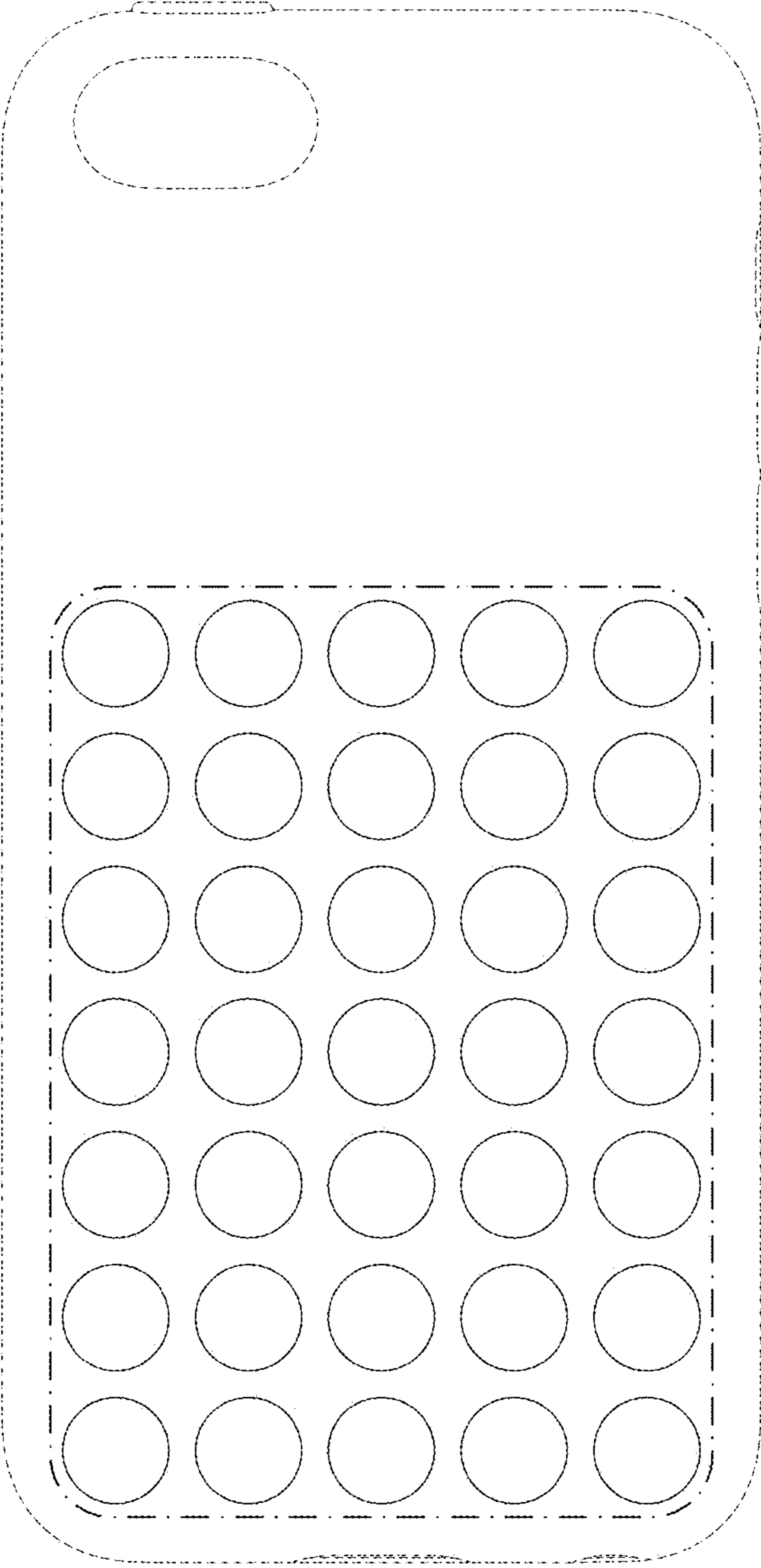


FIG. 4

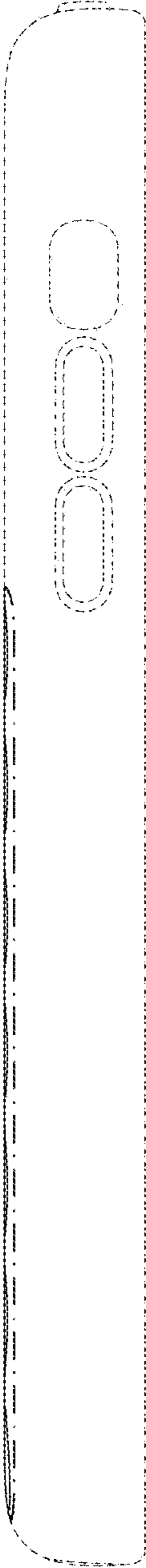


FIG. 5



FIG. 6



FIG. 7

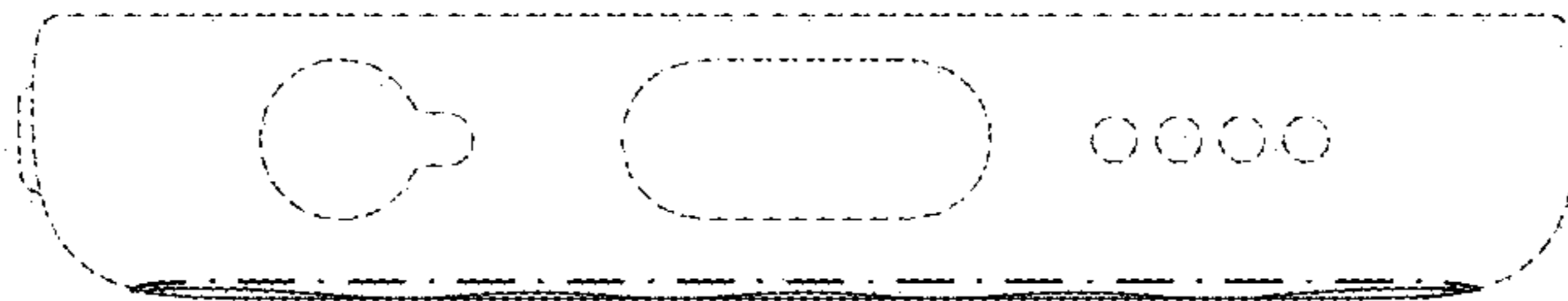


FIG. 8