



US00D731470S

(12) **United States Design Patent**  
**Terasawa**

(10) **Patent No.:** **US D731,470 S**  
(45) **Date of Patent:** **\*\* Jun. 9, 2015**

(54) **WIRELESS BASE STATION**

FOREIGN PATENT DOCUMENTS

(71) Applicant: **NEC CORPORATION**, Minato-ku,  
Tokyo (JP)

CN 301319864 \* 8/2010  
CN 301959153 \* 6/2012

(72) Inventor: **Tomoya Terasawa**, Tokyo (JP)

OTHER PUBLICATIONS

(73) Assignee: **NEC CORPORATION**, Tokyo (JP)

Set-Top Box User's Manual. [online]. Consolidated Communica-  
tions, 2013 [retrieved on Dec. 30, 2013]. Retrieved from the Internet:  
<URL: [http://www.consolidated.com/files/documents/PDFs/Digital\\_TV\\_Support\\_Files/MinervaSetTopBoxItems/102\\_00598\\_Kamai\\_SetTopBoxUsersManual\\_35184\\_9\\_13.pdf](http://www.consolidated.com/files/documents/PDFs/Digital_TV_Support_Files/MinervaSetTopBoxItems/102_00598_Kamai_SetTopBoxUsersManual_35184_9_13.pdf)>.\*

(\*\*) Term: **14 Years**

ClearOne CHAT 170 Wired Voice Conferencing Device. [online].  
Newegg Inc, 2013 [retrieved on Dec. 30, 2013]. Retrieved from the  
Internet: <URL: <http://www.newegg.com/Product/Product.aspx?Item=9SIA19POC69337>>.\*

(21) Appl. No.: **29/443,733**

(22) Filed: **Jan. 22, 2013**

\* cited by examiner

(30) **Foreign Application Priority Data**

Aug. 21, 2012 (JP) ..... 2012-019979

*Primary Examiner* — Deanna L Pratt

(51) **LOC (10) Cl.** ..... **14-02**

(74) *Attorney, Agent, or Firm* — Sughrue Mion, PLLC

(52) **U.S. Cl.**

USPC ..... **D14/240**; D14/358

(58) **Field of Classification Search**

USPC ..... 361/679.08; 381/71-71.9; D13/103,  
D13/110, 177; D14/125, 140.2, 149, 188,  
D14/203.3, 231, 240, 256, 356-365, 435,  
D14/440

(57) **CLAIM**

The ornamental design for a wireless base station, as shown  
and described.

CPC ..... G10K 11/1788; G10K 2210/1282;  
G10K 2210/112; G10K 2210/1081

**DESCRIPTION**

See application file for complete search history.

FIG. 1 is a front view of the wireless base station showing my  
new design;  
FIG. 2 is a rear view thereof;  
FIG. 3 is a left side view thereof;  
FIG. 4 is a right side view thereof;  
FIG. 5 is a top plan view thereof;  
FIG. 6 is a bottom plan view thereof; and,  
FIG. 7 is a front right perspective view thereof.

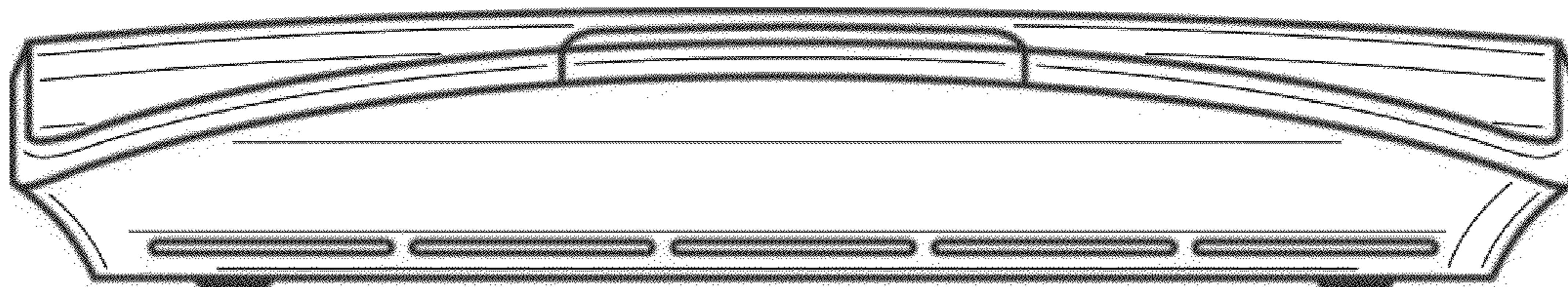
The broken lines show subject matter of the base station that  
forms no part of the claimed design.

(56) **References Cited**

U.S. PATENT DOCUMENTS

5,778,085 A \* 7/1998 Sasaki ..... 381/71.1  
D438,532 S \* 3/2001 Gargani et al. .... D14/240  
D658,598 S \* 5/2012 Ling et al. .... D13/177  
D677,635 S \* 3/2013 Ling et al. .... D13/177

**1 Claim, 3 Drawing Sheets**



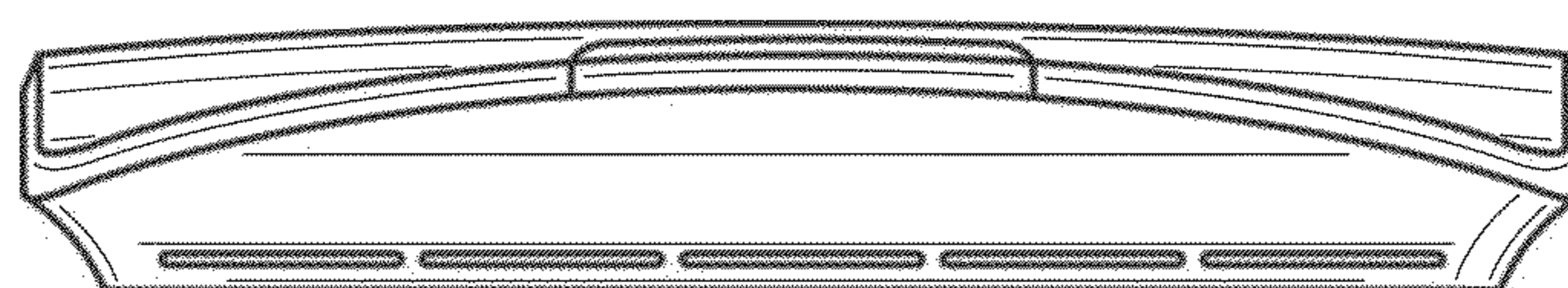


FIG. 1

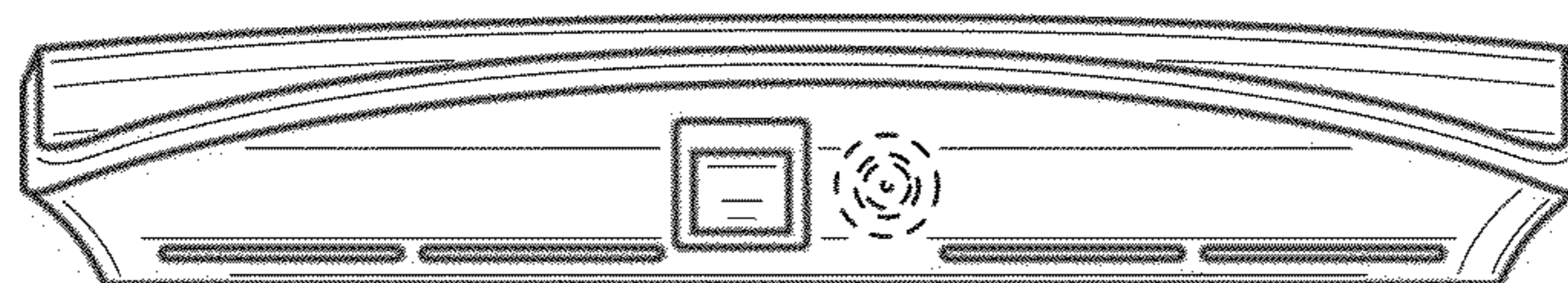


FIG. 2

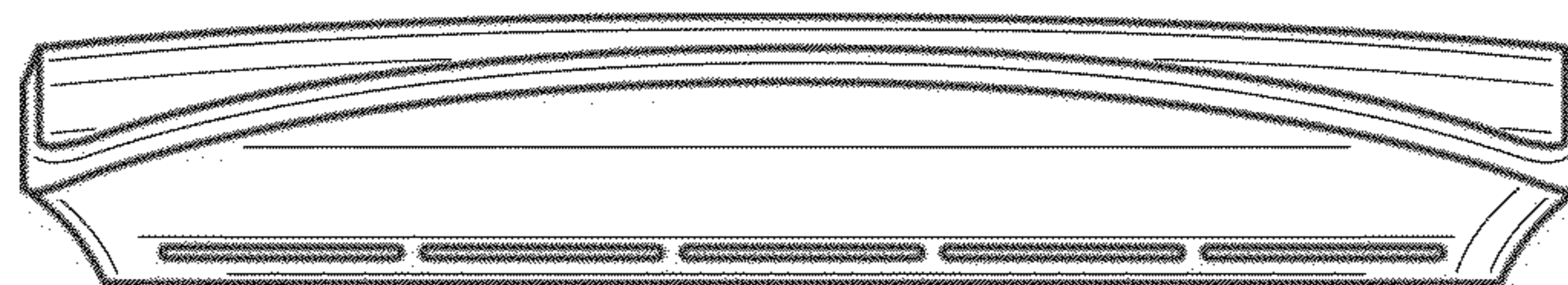


FIG. 3

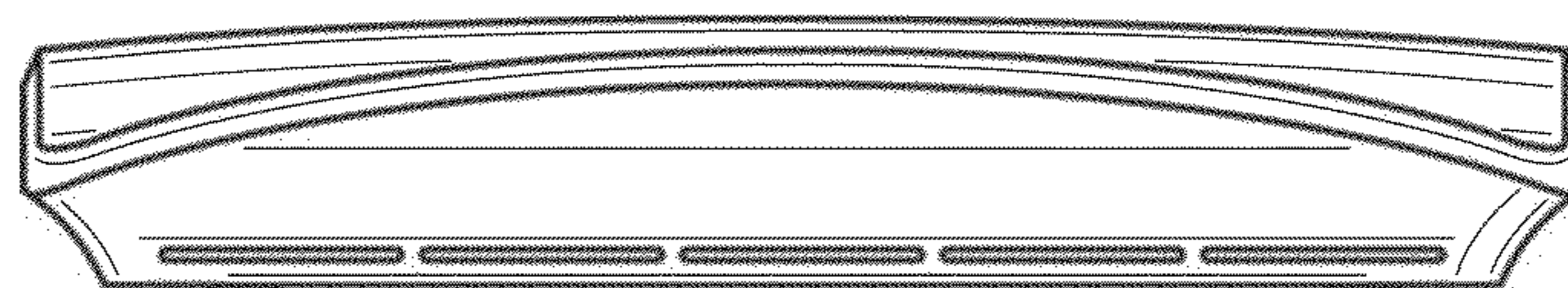


FIG. 4

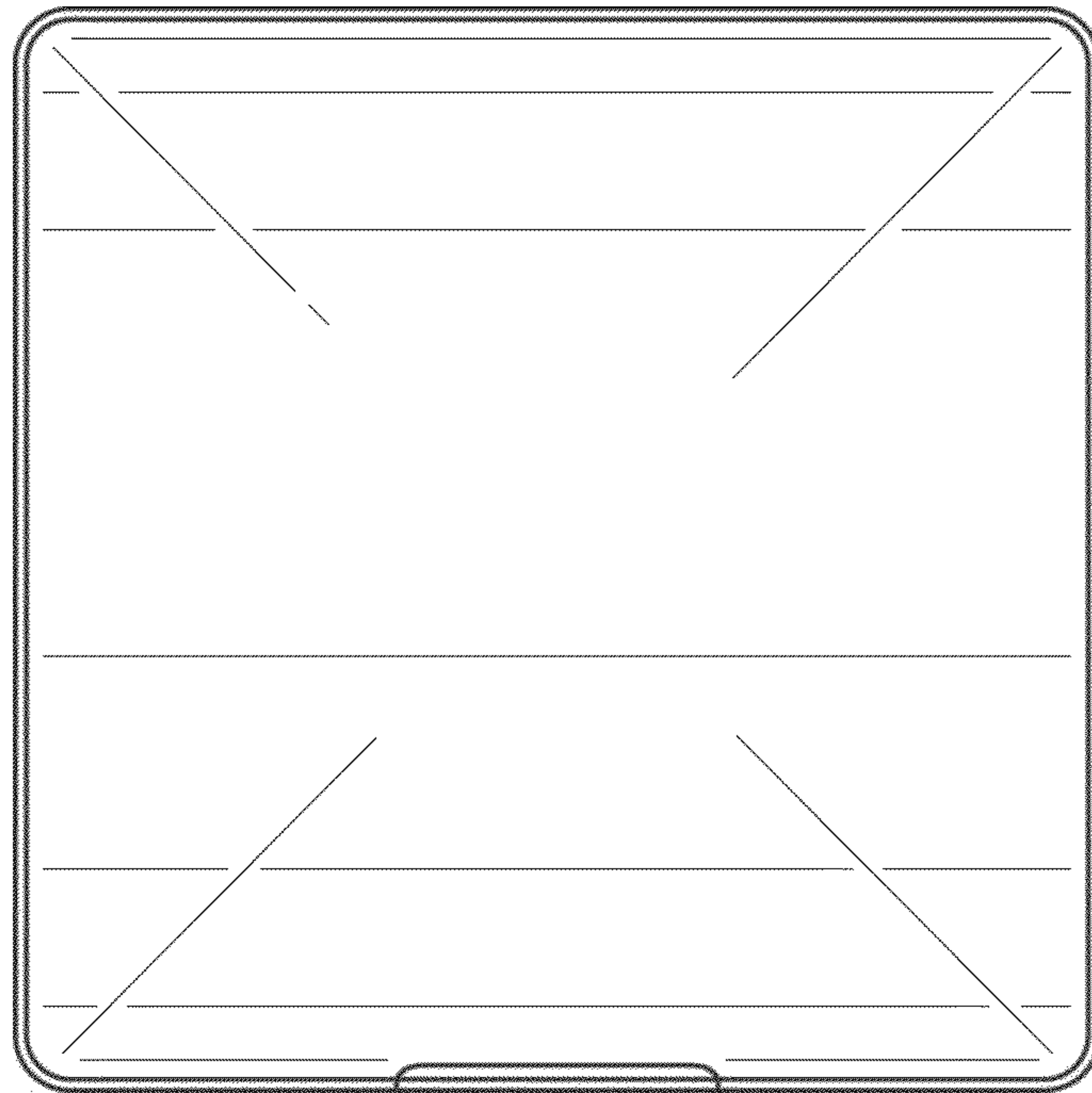


FIG. 5

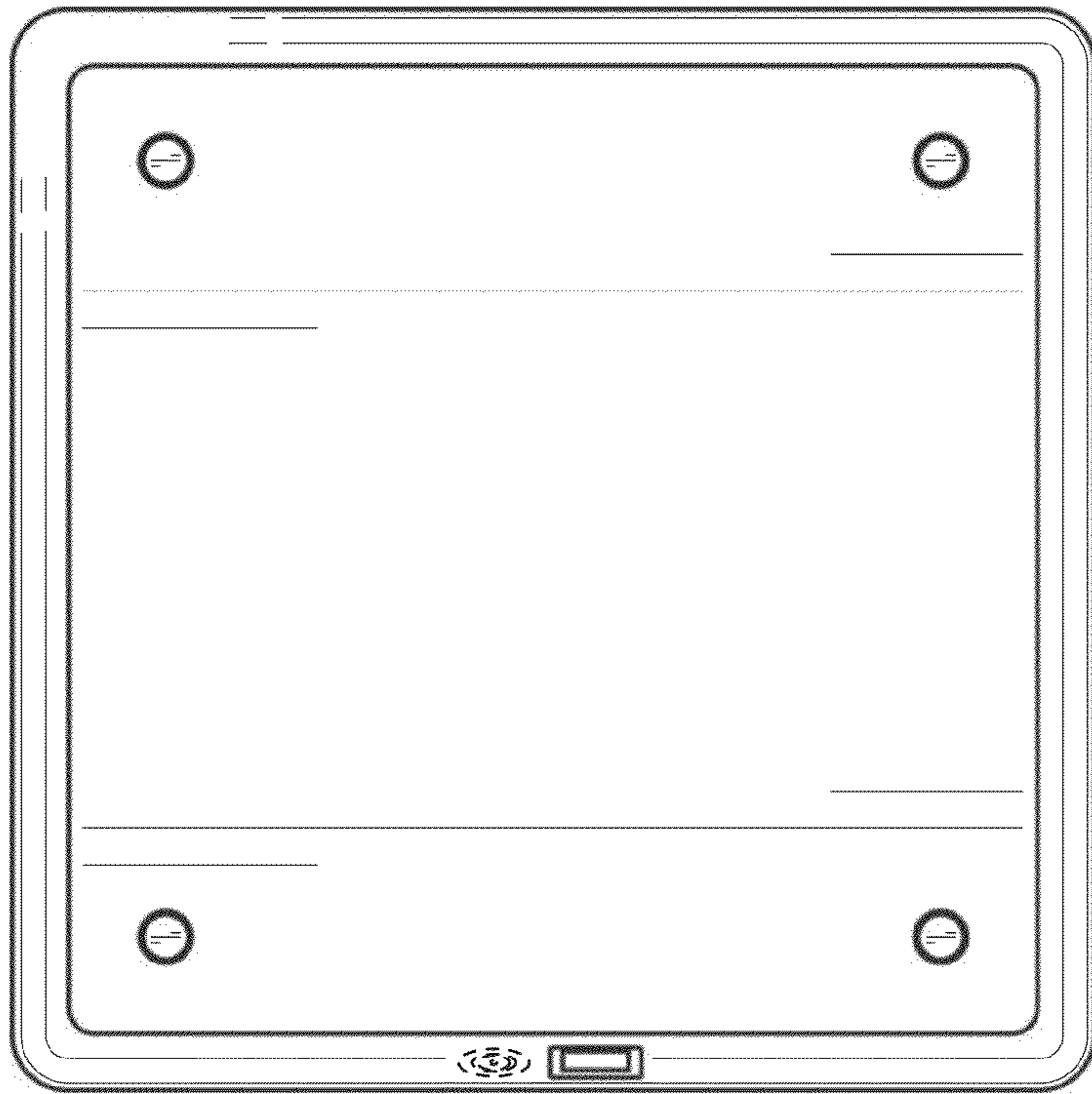


FIG. 6

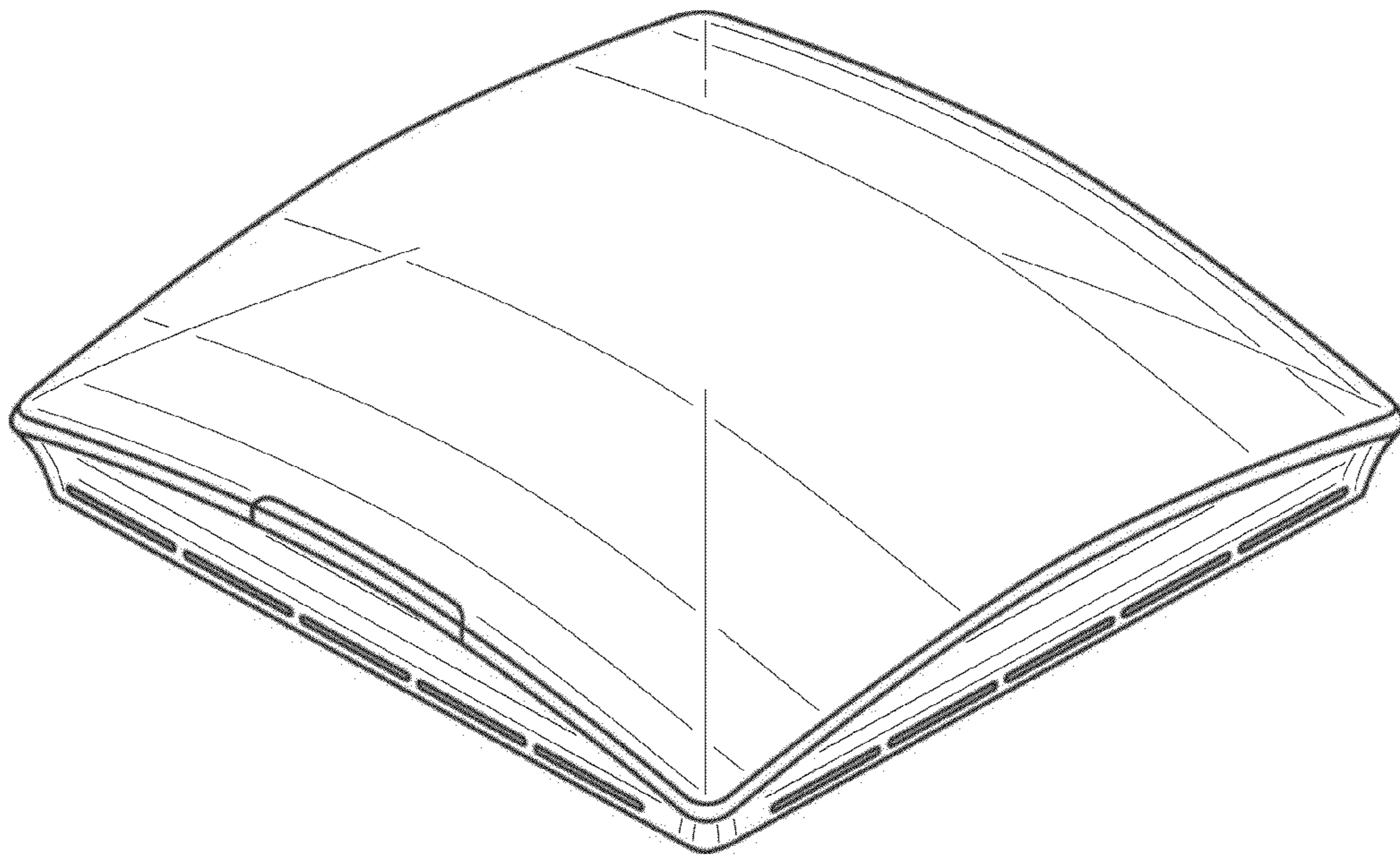


FIG. 7