



US00D731469S

(12) **United States Design Patent**
Turksu et al.

(10) **Patent No.:** **US D731,469 S**
(45) **Date of Patent:** **** Jun. 9, 2015**

- (54) **PORTABLE REMOTE CONTROL FOR A MOBILE DEVICE**
- (71) Applicant: **SARIANA, LLC**, San Diego, CA (US)
- (72) Inventors: **Alan Turksu**, San Diego, CA (US);
Mustafa Burak Guclu, San Diego, CA (US)
- (73) Assignee: **SARIANA, LLC**, San Diego, CA (US)
- (**) Term: **14 Years**
- (21) Appl. No.: **29/488,955**
- (22) Filed: **Apr. 24, 2014**
- (51) **LOC (10) Cl.** **14-03**
- (52) **U.S. Cl.**
USPC **D14/218**
- (58) **Field of Classification Search**
USPC D14/138 R, 144, 155, 203.2, 341, 344,
D14/402, 492-496; D13/168; 224/168, 170,
224/219; 345/156; 361/679.5; 368/10;
40/633; D10/30-34, 65, 70, 128, 132,
D10/106.13; D11/2-4, 86
See application file for complete search history.

(56) **References Cited**

U.S. PATENT DOCUMENTS

D256,292 S	*	8/1980	Cox	D3/206
D342,740 S	*	12/1993	Parker	D14/218
D373,964 S	*	9/1996	Alexander	D10/106.1
D383,985 S	*	9/1997	Davenport	D10/31
D441,735 S	*	5/2001	Katayama	D14/203.7
D459,339 S	*	6/2002	Tong	D14/197
D468,274 S	*	1/2003	Novak	D13/168
D478,018 S	*	8/2003	Adamosky	D10/65
D482,671 S	*	11/2003	DiDonato	D14/144
D520,519 S	*	5/2006	Chin et al.	D14/203.3
D551,253 S	*	9/2007	Shin	D14/496
D556,193 S	*	11/2007	Laituri et al.	D14/345
D563,434 S	*	3/2008	Dai	D14/496
D571,308 S	*	6/2008	Gastelum et al.	D13/168

(Continued)

FOREIGN PATENT DOCUMENTS

FR	946911-0001	*	4/1995
KR	300610677-0000	*	8/2011

OTHER PUBLICATIONS

Touch Screen Panel Remote Control TV/DVD Function Watch Black, Internet Wayback Machine date Oct. 14, 2011, [online], [visited Aug. 27, 2014], <<http://web.archive.org/web/20111014092658/http://www.mallextrime.com/touch-screen-panel-remote-control-tv-dvd-function>>.*

(Continued)

Primary Examiner — Anhdao Doan
Assistant Examiner — John R Yeh

(74) *Attorney, Agent, or Firm* — Wagenknecht IP Law Group PC

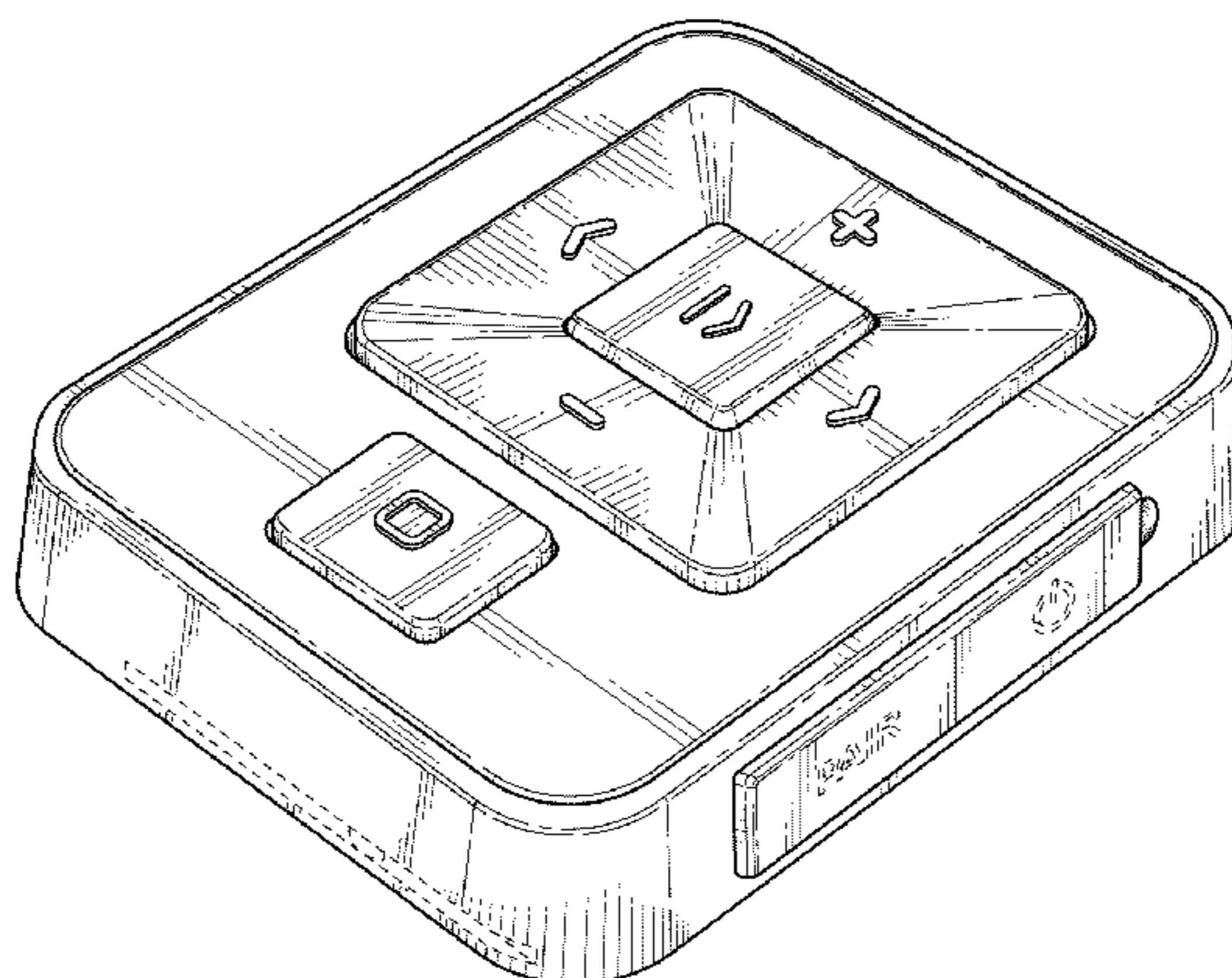
(57) **CLAIM**

What is claimed is an ornamental design for a portable remote control for a mobile device, substantially as shown and described.

DESCRIPTION

FIG. 1 is a front elevational view of a portable remote control for a mobile device showing our new design; FIG. 2 is a front, right, bottom perspective view thereof; FIG. 3 is a right side elevational view thereof; FIG. 4 is a left side elevational view thereof; FIG. 5 is a bottom plan view thereof; FIG. 6 is a top plan view thereof; FIG. 7 is a bottom, right, front perspective view thereof attached to a wrist band; and, FIG. 8 is a top, right, front perspective view thereof attached to a handle bar or steering wheel band; wherein the rear view thereof forms no part of the claimed design; wherein broken lines are included for illustrative purposes only and form no part of the claimed design.

1 Claim, 3 Drawing Sheets



(56)

References Cited

U.S. PATENT DOCUMENTS

D594,874 S * 6/2009 Sheba et al. D14/496
D596,610 S * 7/2009 Hou D14/144
D618,203 S * 6/2010 Bradford D14/203.2
D629,011 S * 12/2010 Lee D14/496
D638,324 S * 5/2011 Tang D10/128
D638,819 S * 5/2011 Shum et al. D14/203.3
D647,919 S * 11/2011 Akana et al. D14/496
D650,706 S * 12/2011 Zanella et al. D10/32
D670,583 S * 11/2012 Shaanan D10/70
D672,255 S * 12/2012 Zanella et al. D10/32
D687,415 S * 8/2013 Vuillet D14/218

D689,862 S * 9/2013 Liu D14/402
8,570,273 B1 * 10/2013 Smith 345/156
D698,754 S * 2/2014 Vuillet et al. D14/218
D704,166 S * 5/2014 Sung D14/218

OTHER PUBLICATIONS

Ipod wrist controller, pub date Nov. 17, 2005, [online], [visited Aug. 26, 2014], <http://www.theregister.co.uk/2005/11/17/ipod_wrist_controlled>.*

Sony SmartWatch puts an Android device controller on your wrist, pub date Apr. 3, 2012, [online], [visited Aug. 26, 2014], <http://www.dvce.com/archives/2012/04/sony_smartwatch.php>.*

* cited by examiner

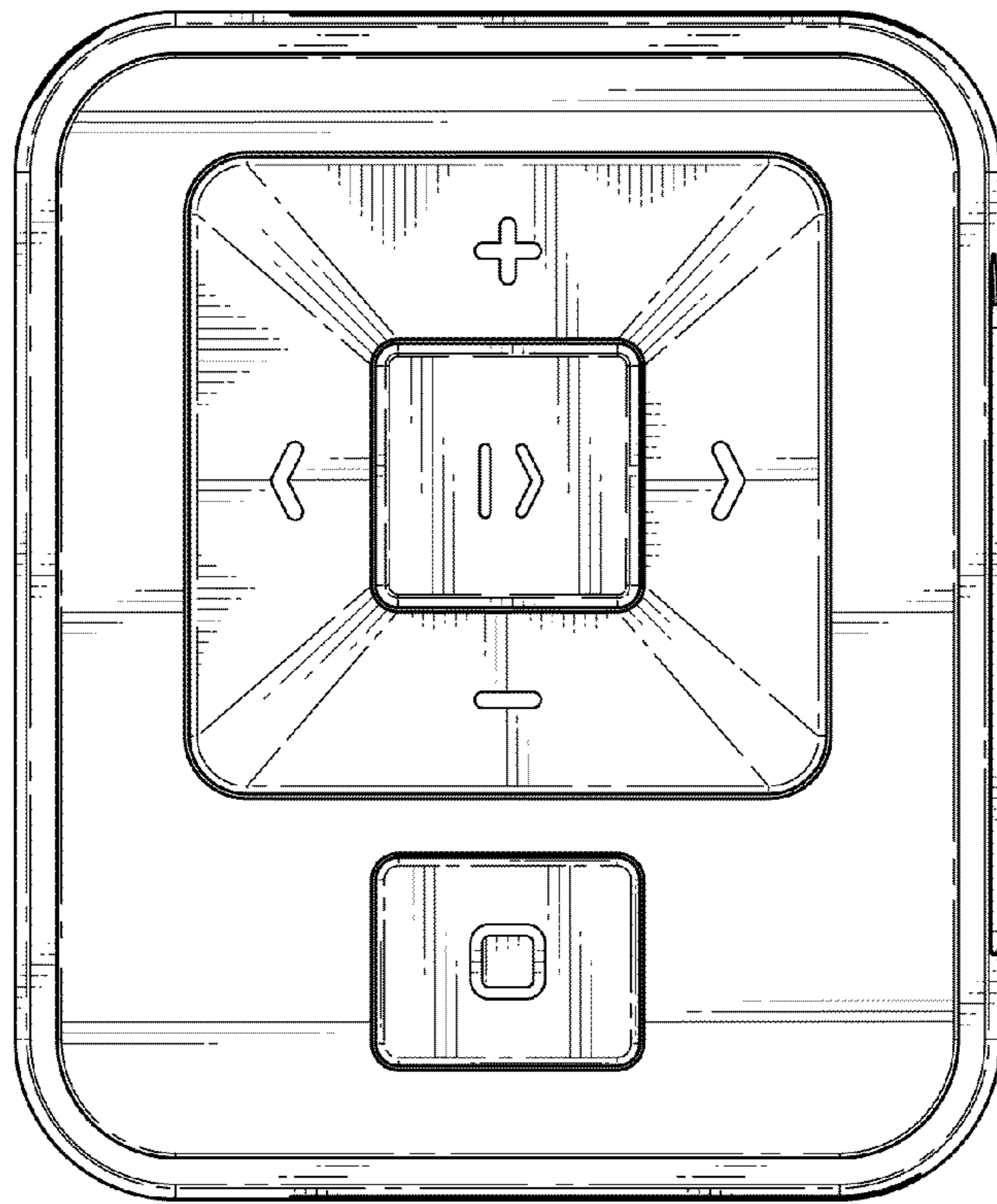


FIG. 1

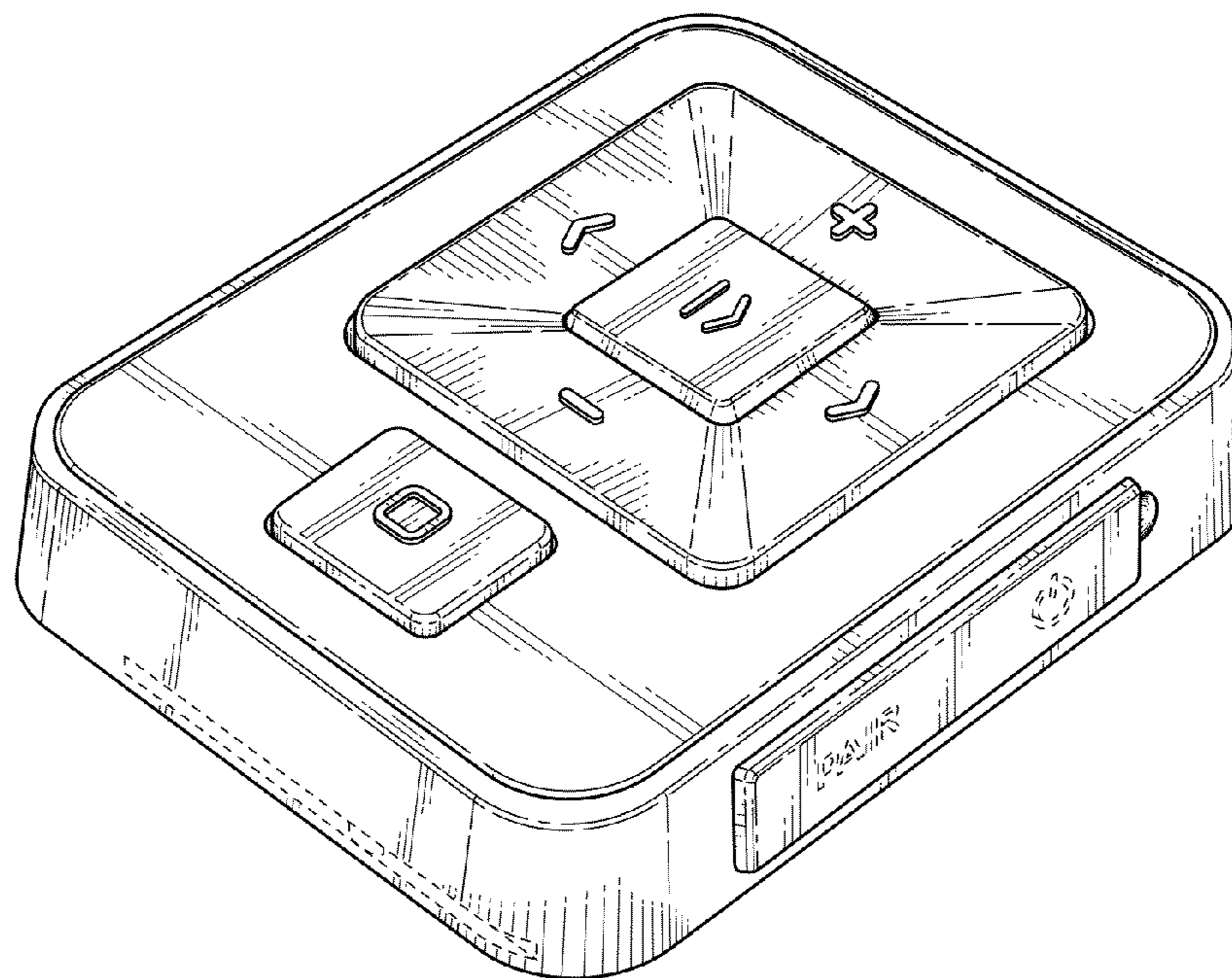


FIG. 2

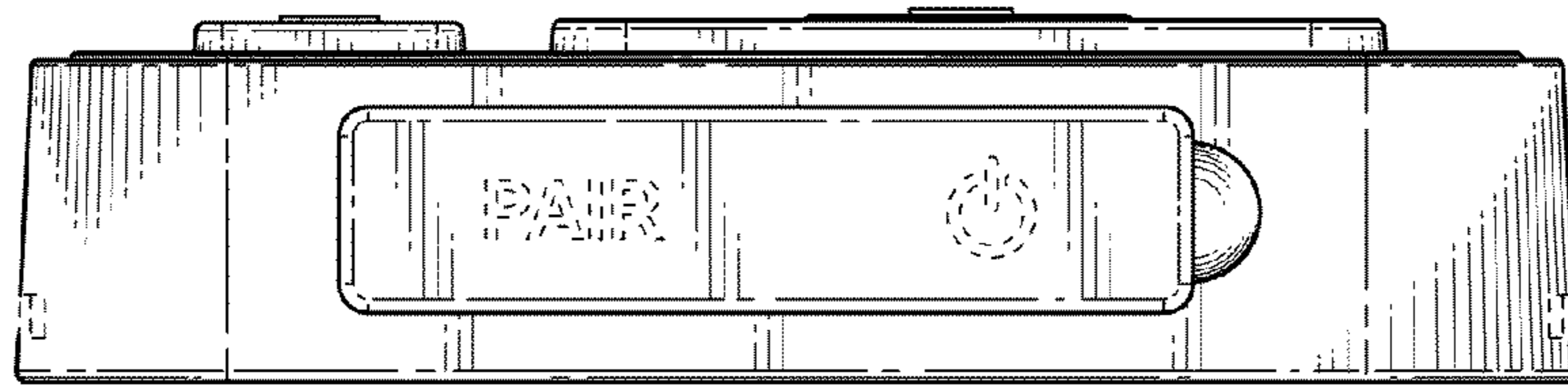


FIG. 3

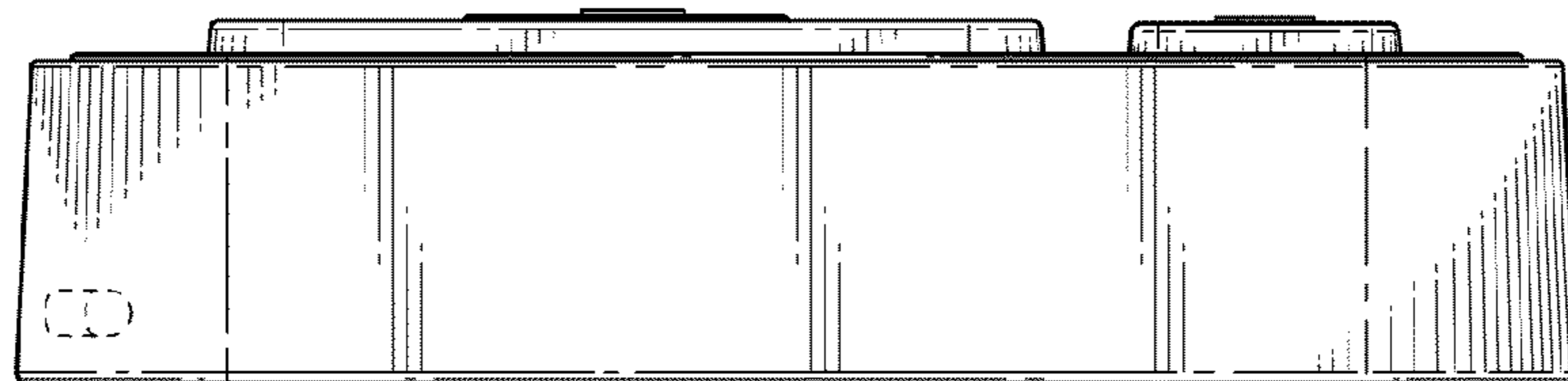


FIG. 4

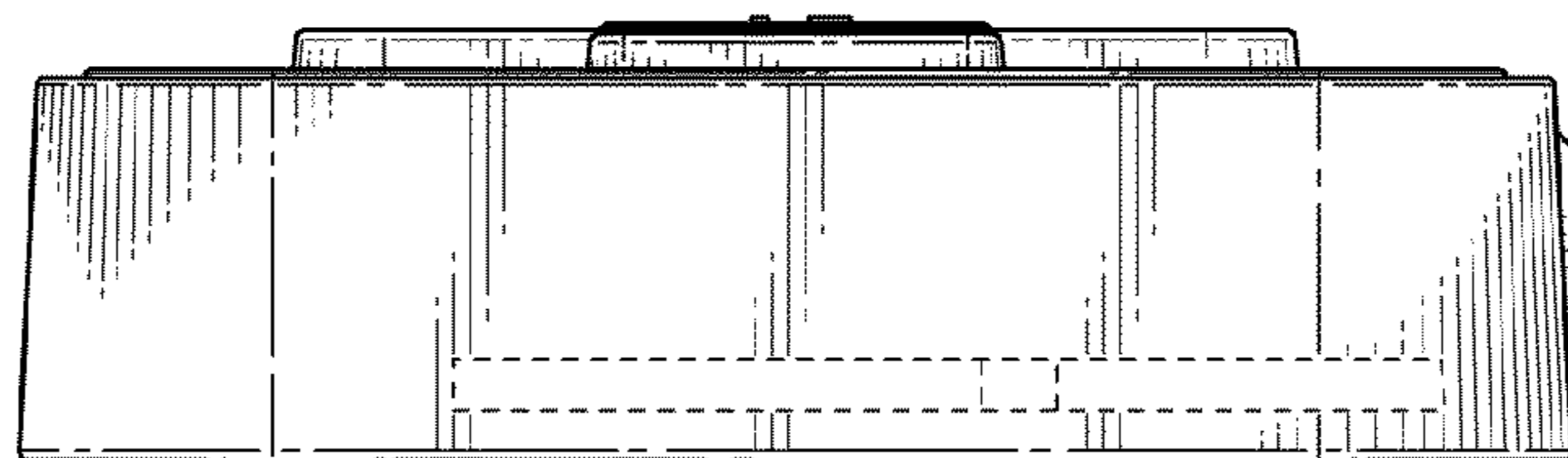


FIG. 5

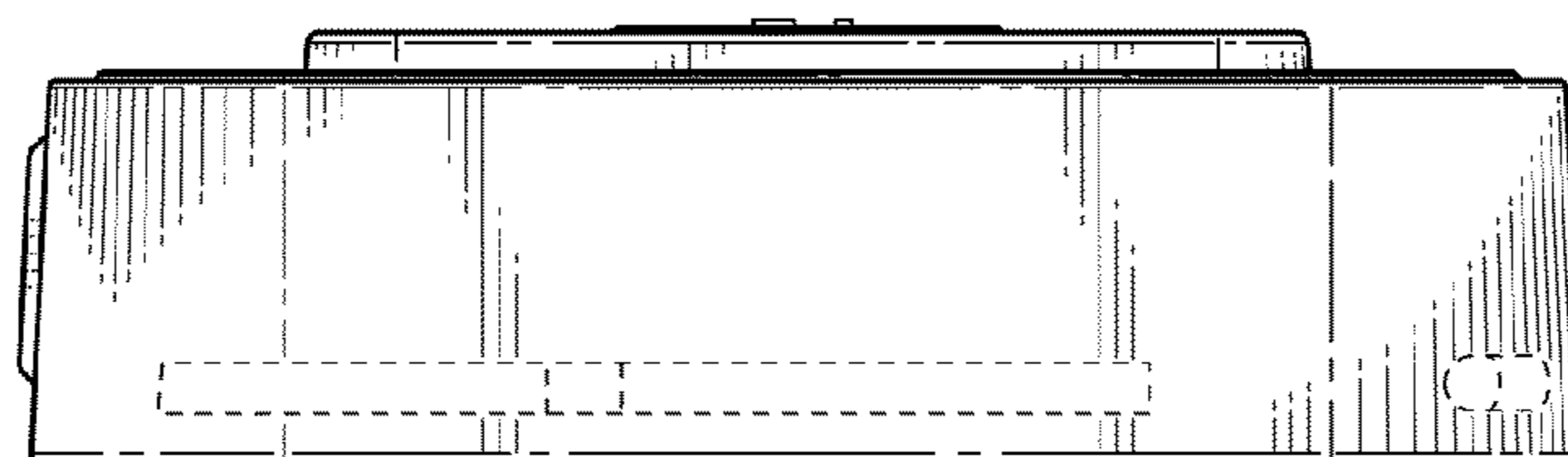


FIG. 6

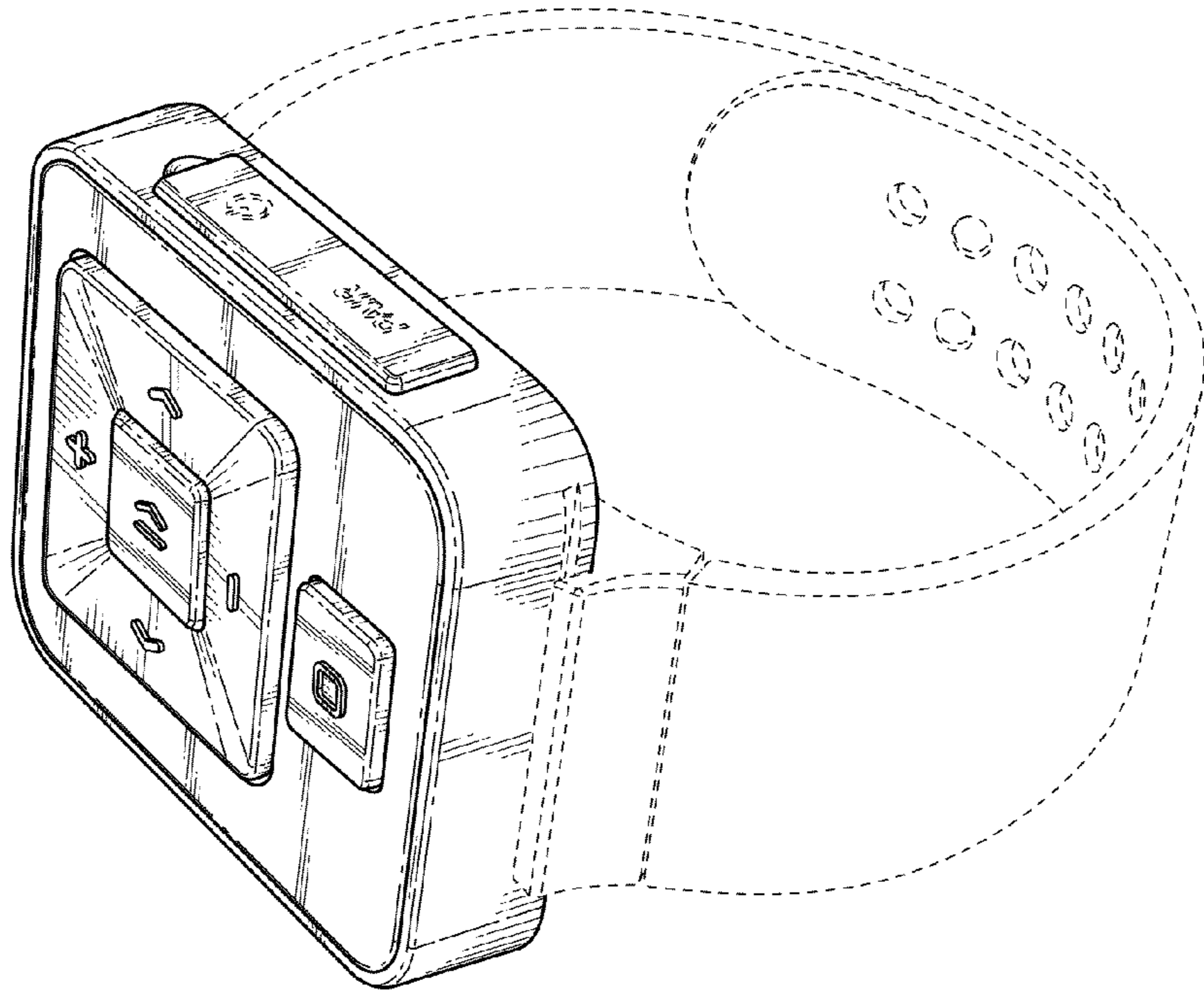


FIG. 7

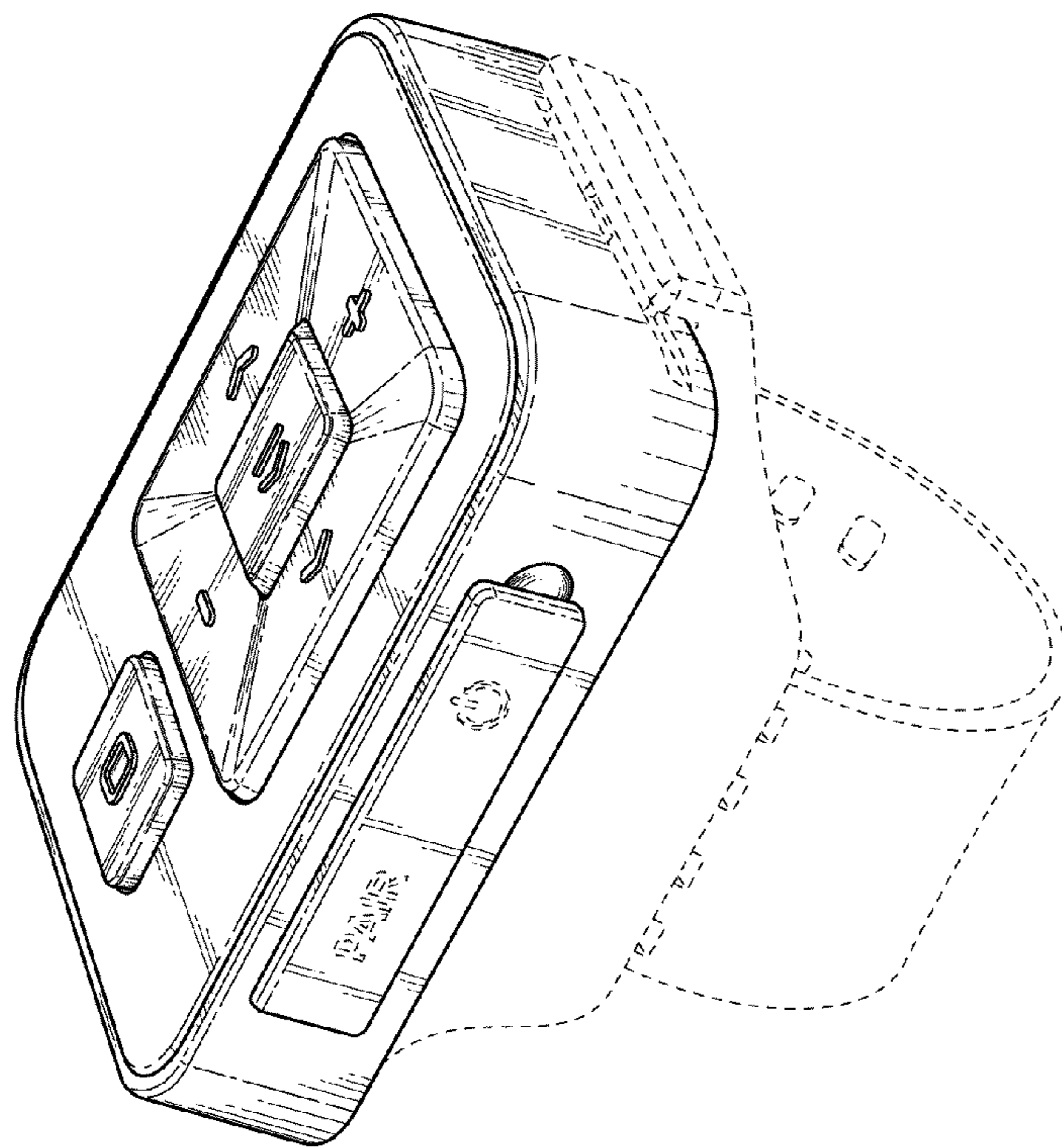


FIG. 8