



US00D731466S

(12) **United States Design Patent**
Tehrani

(10) **Patent No.:** **US D731,466 S**
(45) **Date of Patent:** **** Jun. 9, 2015**

(54) **AUDIO SPEAKER**

(71) Applicant: **Farshad Tehrani**, Hollywood, CA (US)

(72) Inventor: **Farshad Tehrani**, Hollywood, CA (US)

(**) Term: **14 Years**

(21) Appl. No.: **29/490,076**

(22) Filed: **May 6, 2014**

(51) **LOC (10) Cl.** **14-03**

(52) **U.S. Cl.**
USPC **D14/216**

(58) **Field of Classification Search**

USPC D14/167, 168, 170–172, 188, 194–196,
D14/204, 207, 209.1, 210–216, 219, 221,
D14/222, 224, 496; 181/143, 144, 147, 148,
181/150, 153, 157, 198, 199; 381/300–303,
381/306, 332, 333, 336, 345, 361–364,
381/386–388; 369/6–12
CPC B60R 11/0217; G06F 1/1688; H04M 1/03;
H04M 1/035; H04R 1/02; H04R 1/06; H04R
1/021; H04R 1/025; H04R 1/026; H04R
1/028; H04R 1/105; H04R 1/323; H04R
1/403; H04R 1/2803; H04R 1/2834; H04R
5/02; H04R 7/20; H04R 9/06; H04R 9/025;
H04R 2201/021; H04R 2400/00; H04R
2400/07; H04R 2499/11; H04R 2499/13;
H04R 2499/15; H04S 3/00; H04S 7/30
See application file for complete search history.

(56) **References Cited**

U.S. PATENT DOCUMENTS

D602,911 S	*	10/2009	Wang et al.	D14/216
D643,408 S	*	8/2011	Huang	D14/216
D695,714 S	*	12/2013	Lee	D14/216
D699,218 S	*	2/2014	Lee	D14/216
D699,220 S	*	2/2014	Lee	D14/216
D710,826 S	*	8/2014	Holzer	D14/216

OTHER PUBLICATIONS

Gadget Review; “Tego Audio NOVA Mini Portable Speakers Review”; ‘http://www.gadgetreview.com/2011/11/nova-mini-portable-speakers-review’; dated Nov. 9, 2011; accessed Jan. 25, 2015; 5 pgs.*

* cited by examiner

Primary Examiner — Keli L Hill

(74) *Attorney, Agent, or Firm* — Fulwider Patton LLP

(57) **CLAIM**

The ornamental design for an audio speaker, as shown and described.

DESCRIPTION

FIG. 1 is a front, top and left perspective view of an audio speaker, embodying my new design, shown in a closed position.

FIG. 2 is a rear, bottom and right perspective view.

FIG. 3 is a front elevation view.

FIG. 4 is a rear elevation view.

FIG. 5 is a right side elevation.

FIG. 6 is a left side elevation.

FIG. 7 is a top plan view.

FIG. 8 is a bottom plan view.

FIG. 9 is a front, top and left perspective view thereof, shown in an open position.

FIG. 10 is a rear, bottom and right perspective view.

FIG. 11 is a front elevation view.

FIG. 12 is a rear elevation view.

FIG. 13 is a right side elevation.

FIG. 14 is a left side elevation.

FIG. 15 is a top plan view; and,

FIG. 16 is a bottom plan view.

The broken lines shown are included for the purpose of illustrating portions of the audio speaker that form no part of the claim.

1 Claim, 14 Drawing Sheets

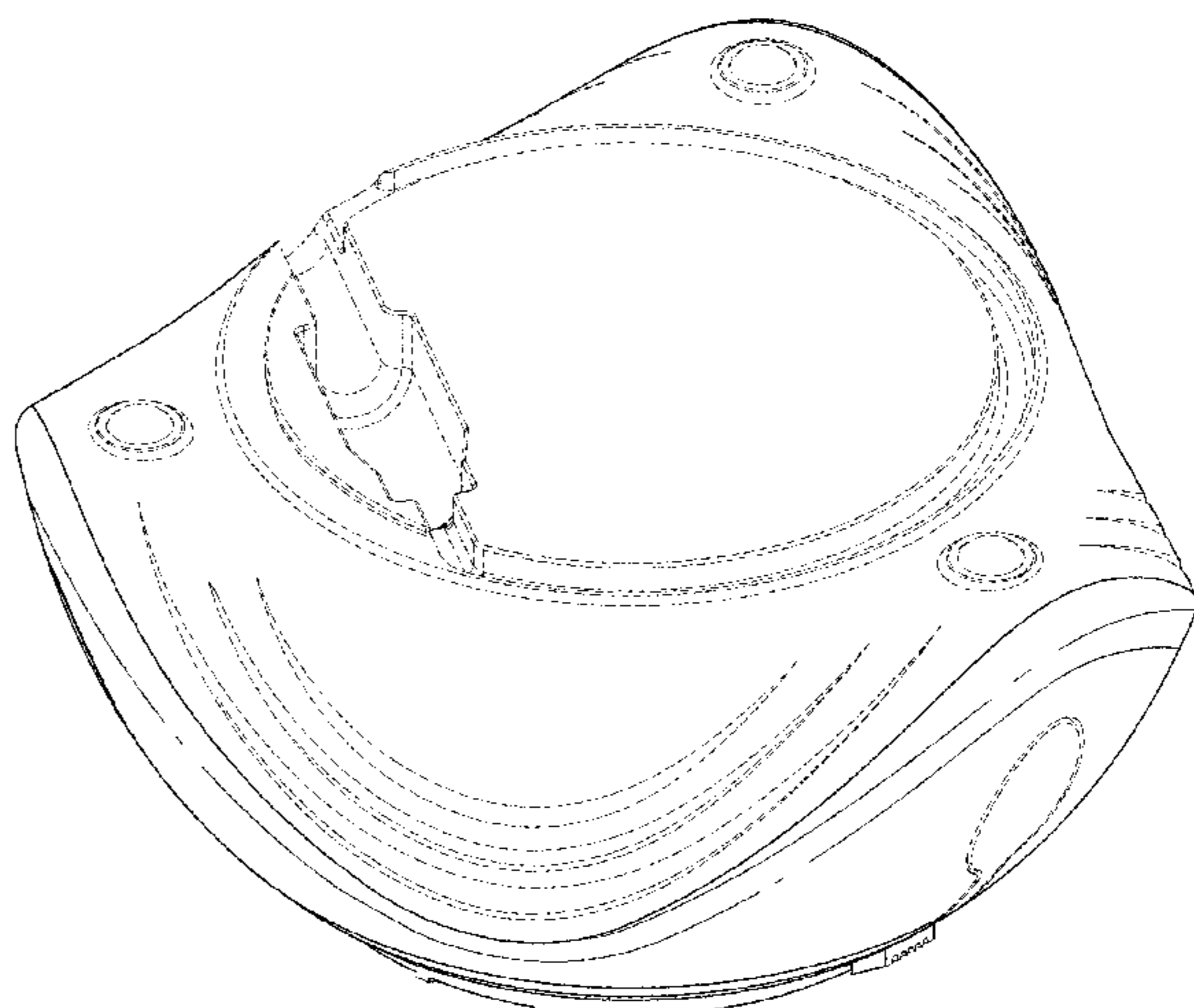
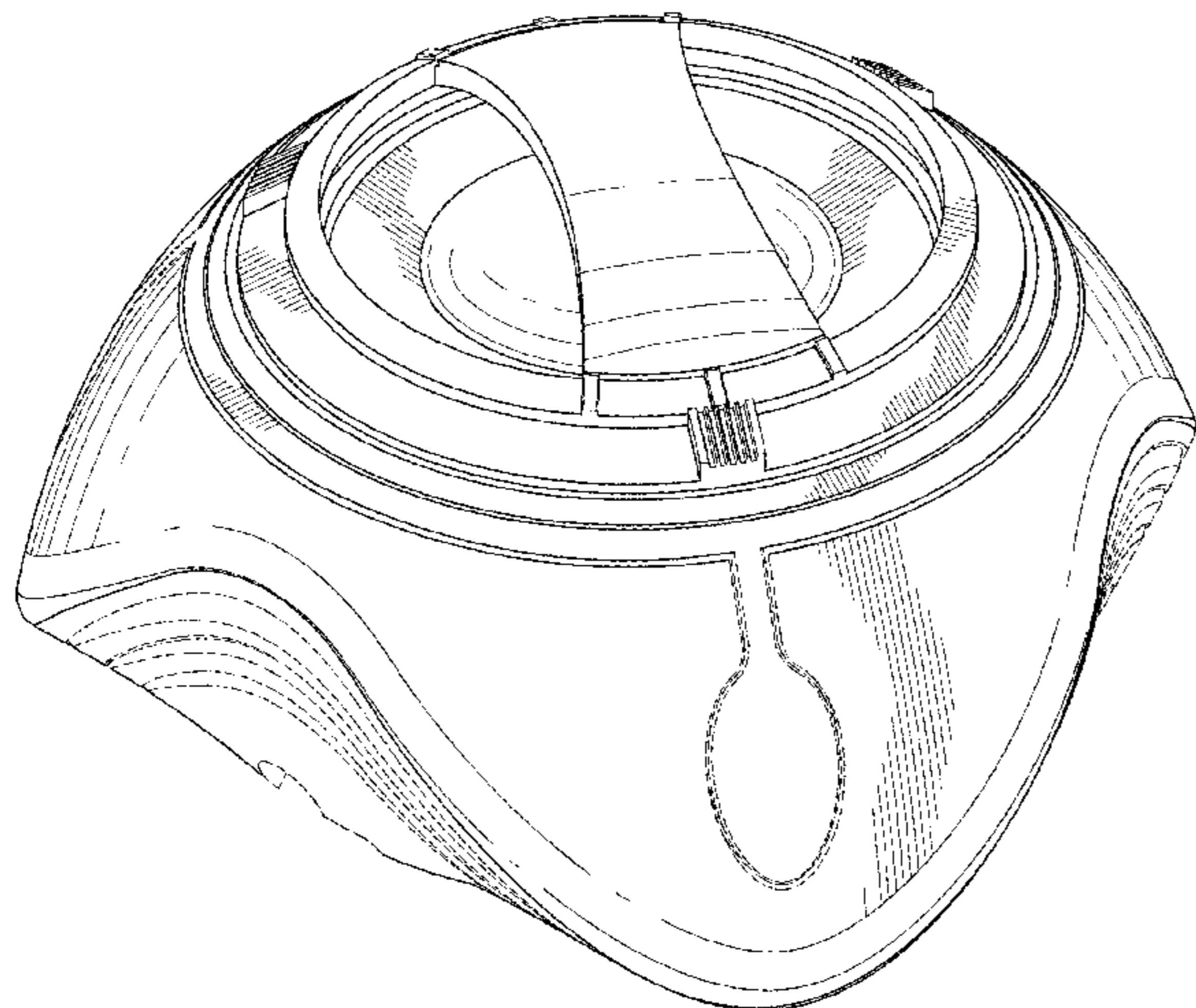
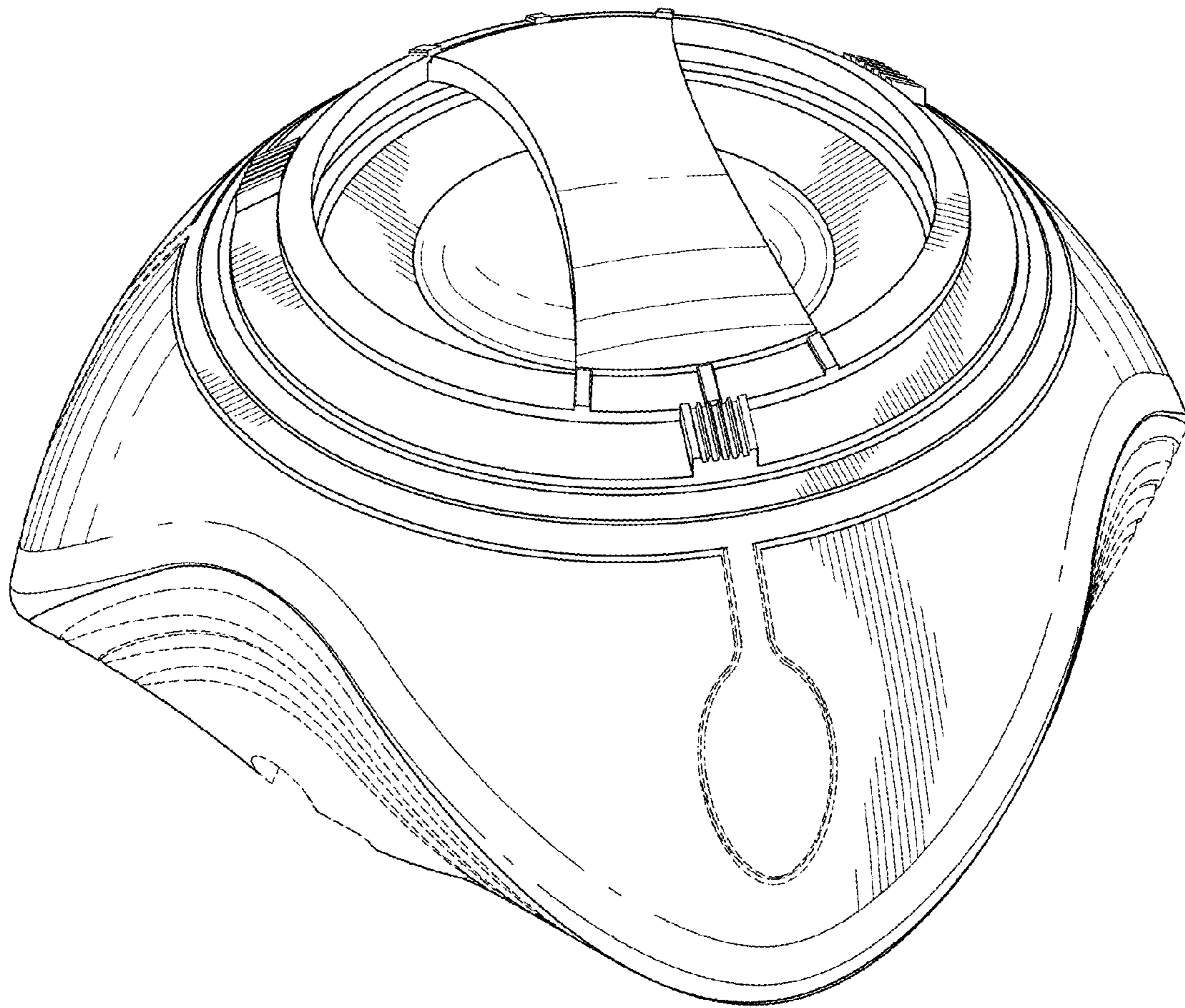


FIG. 1



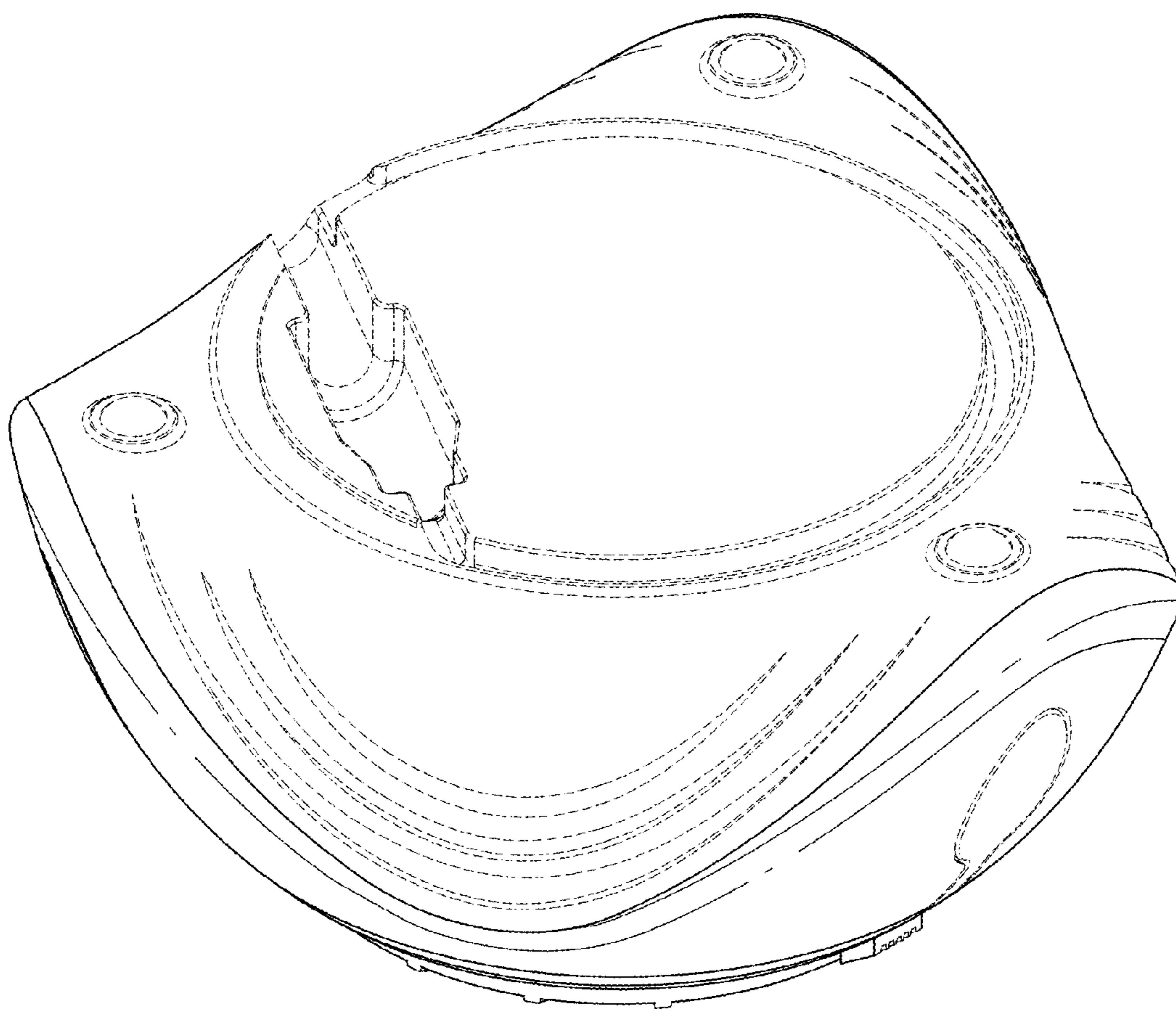


FIG. 2

FIG. 3

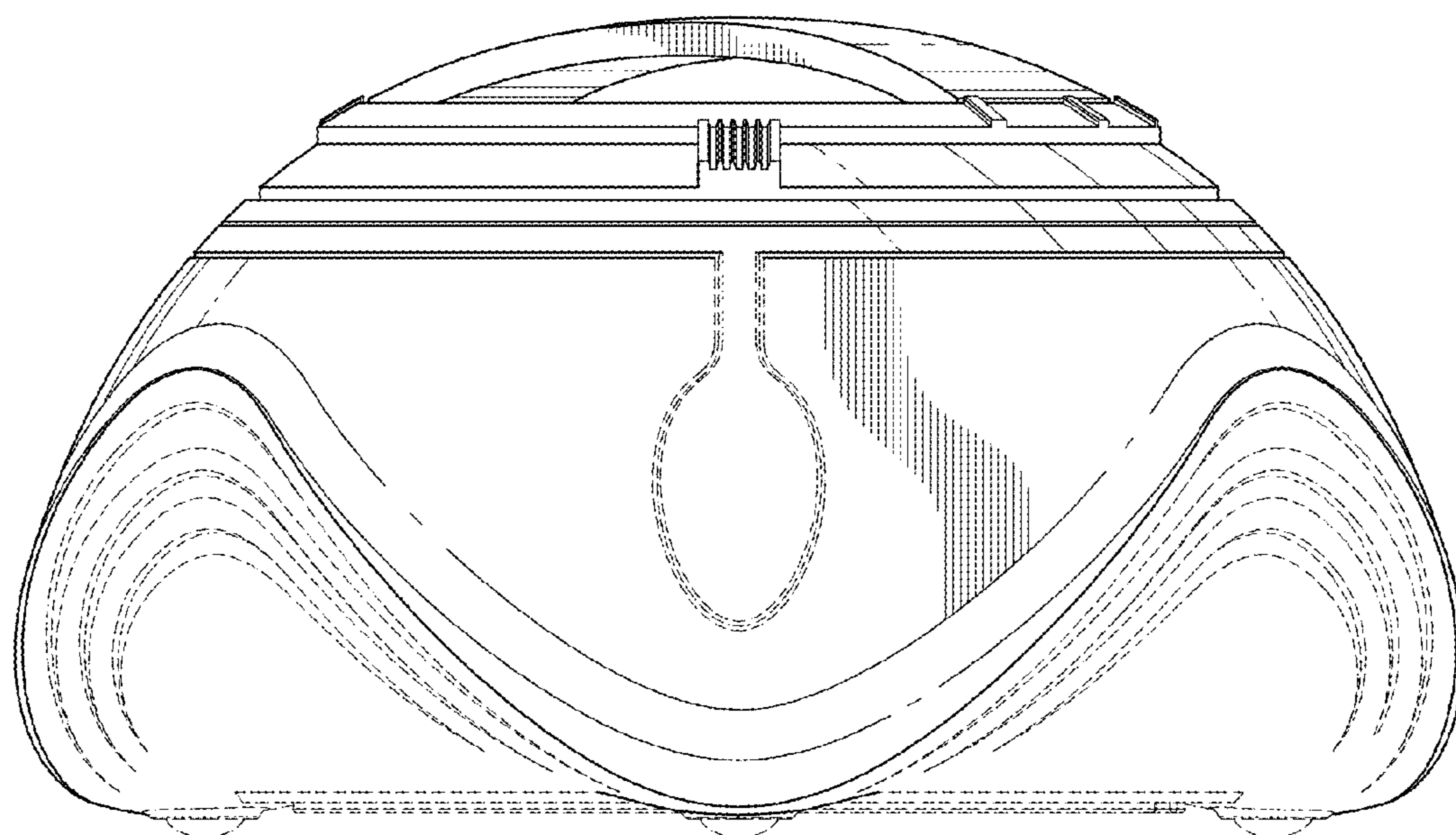
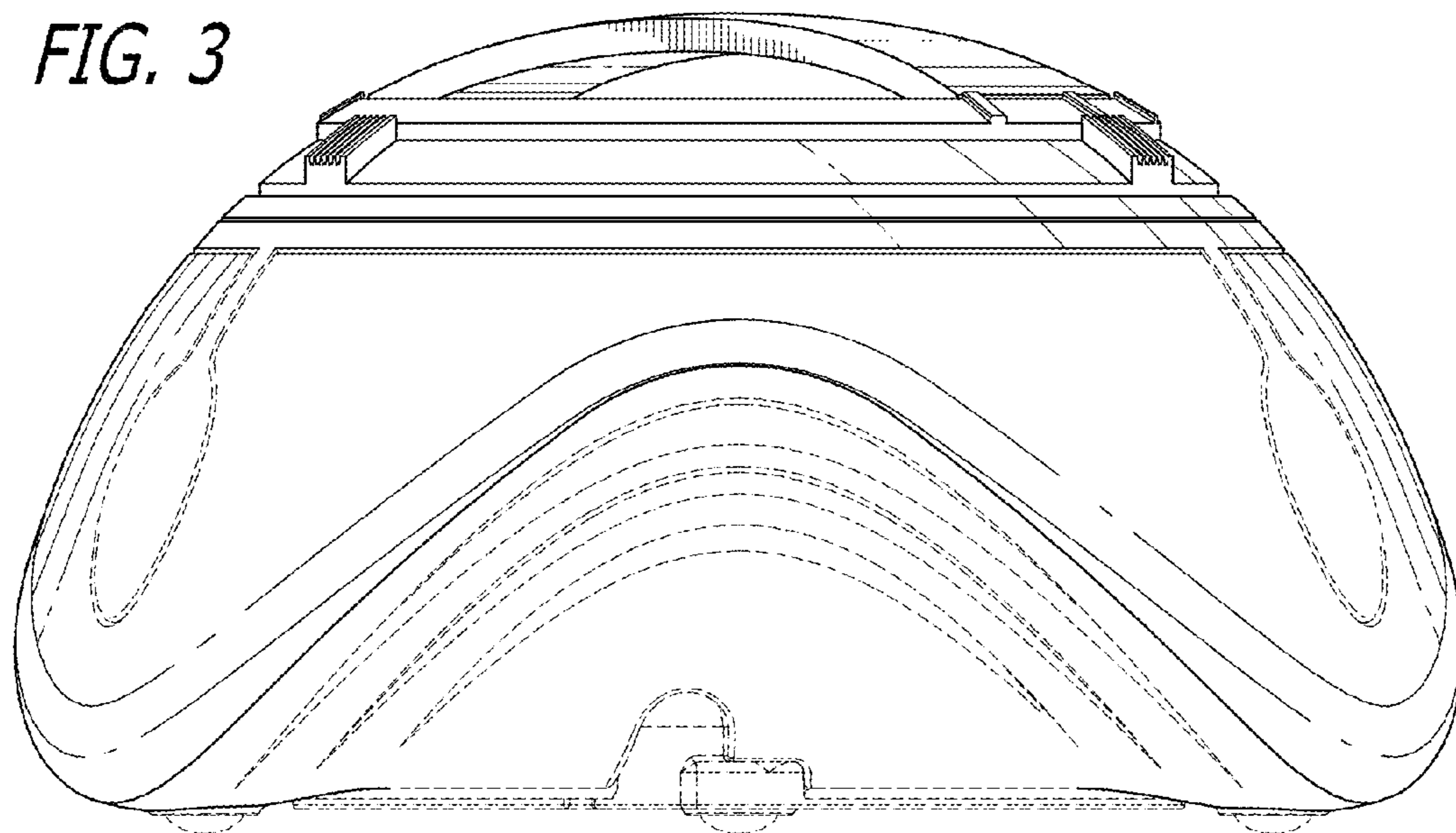


FIG. 4

FIG. 5

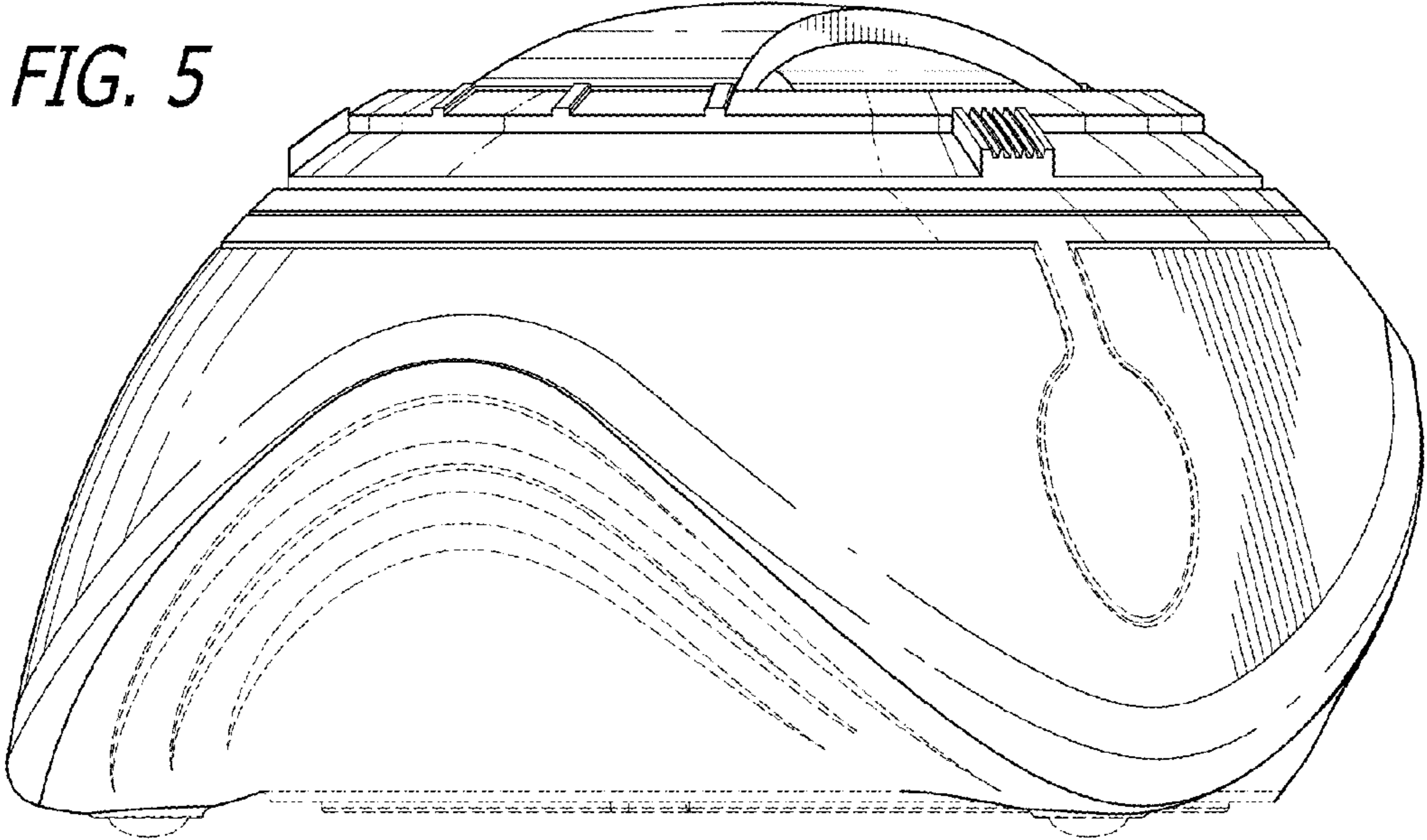
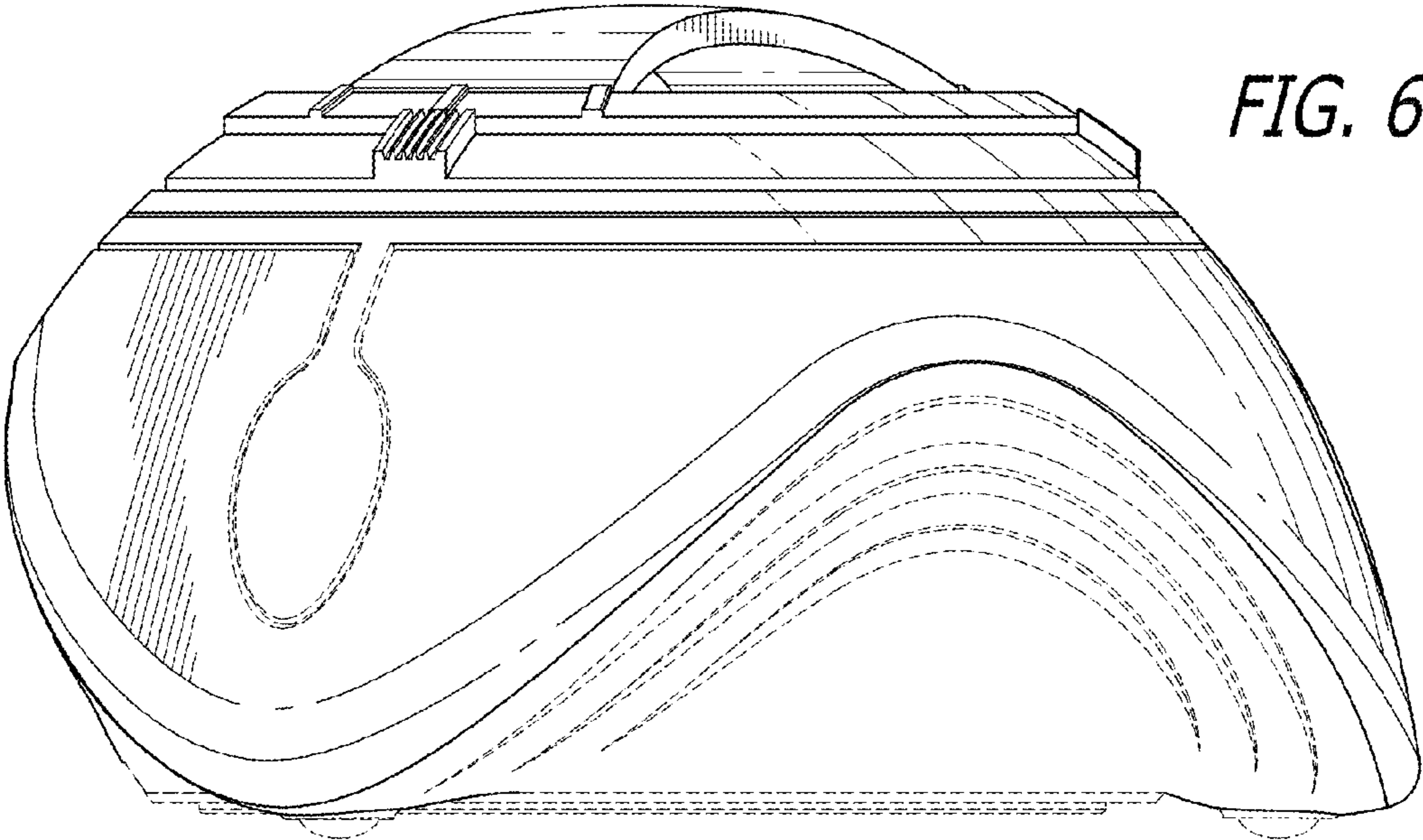


FIG. 6



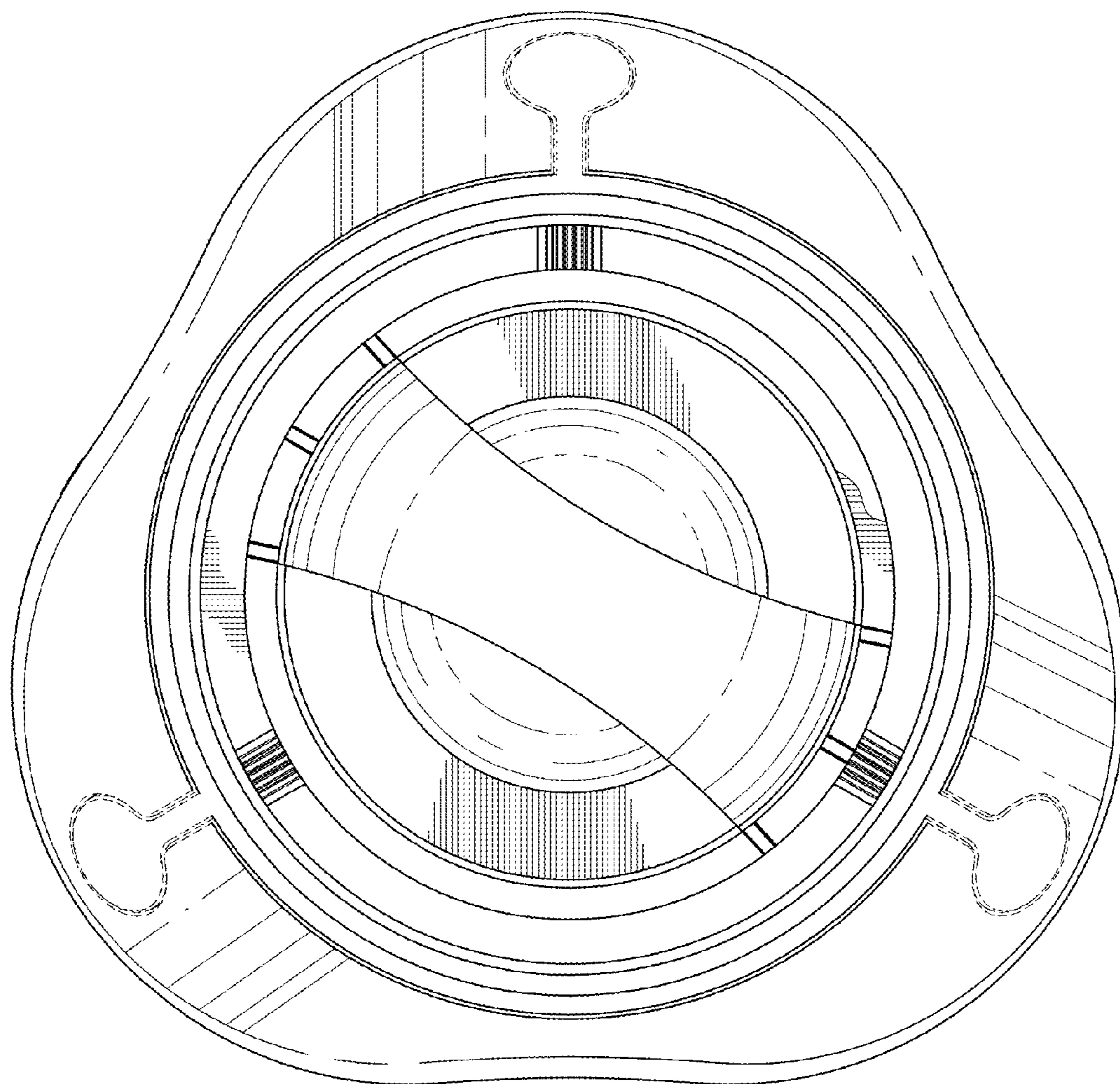


FIG. 7

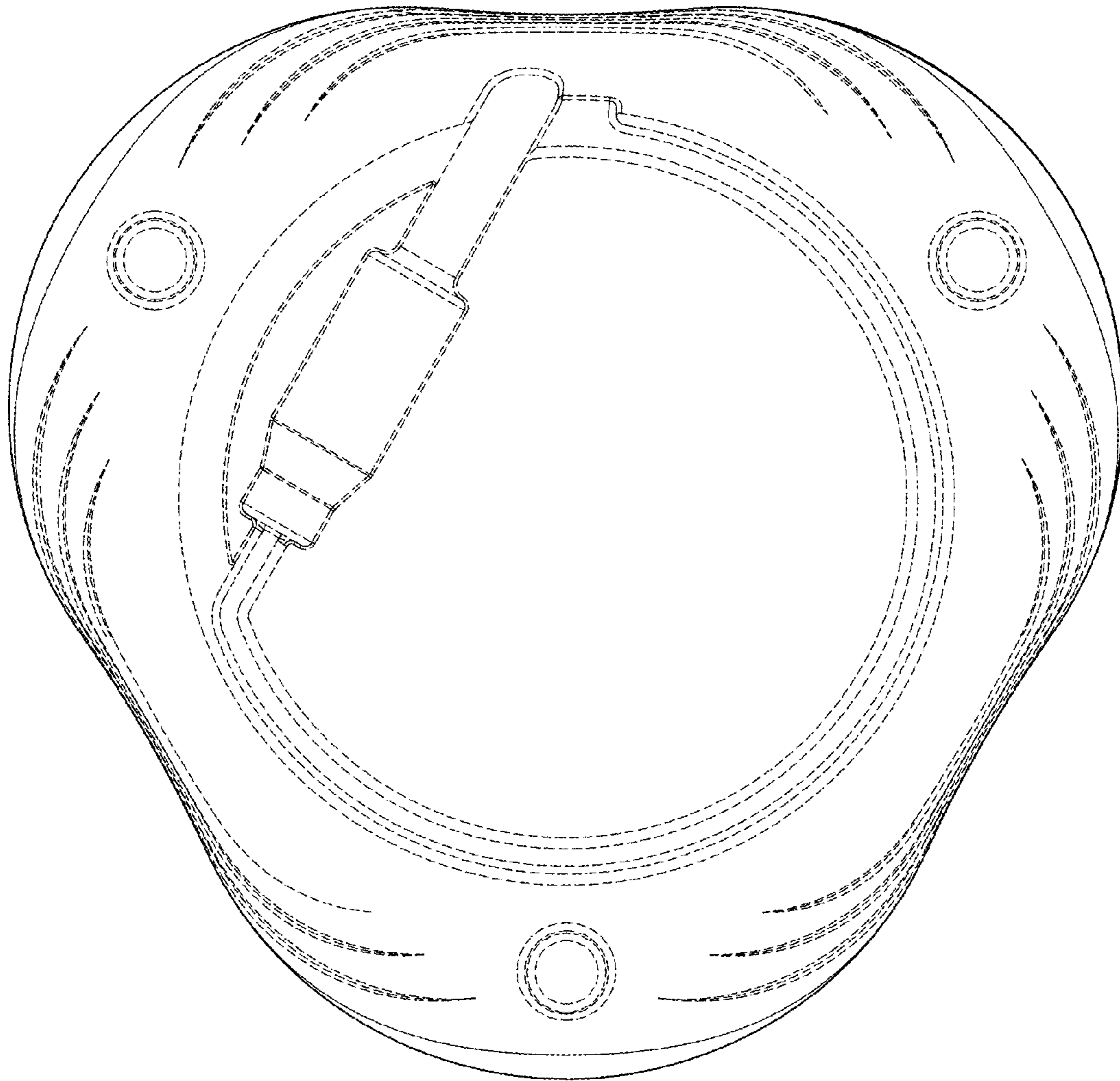
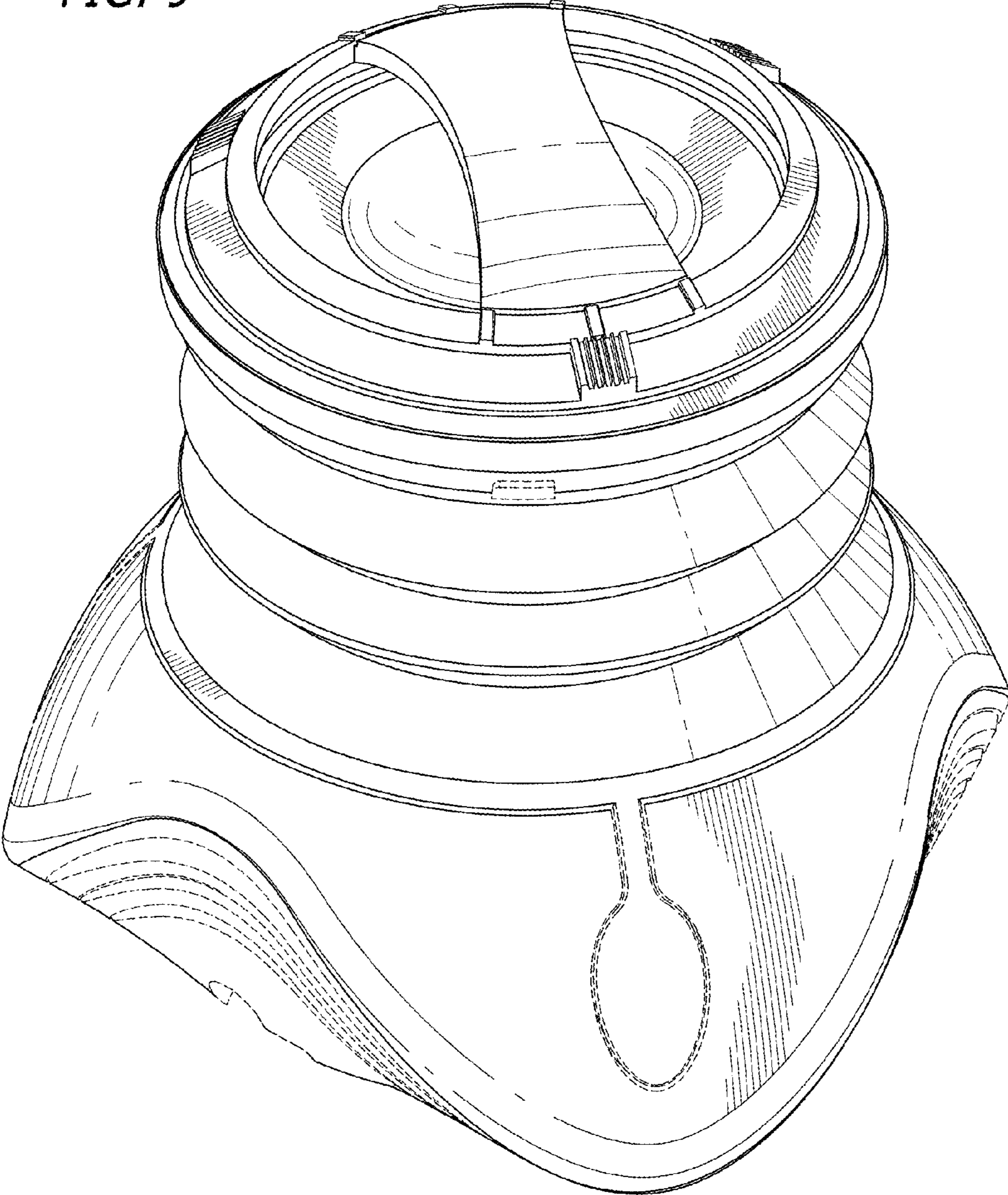


FIG. 8

FIG. 9



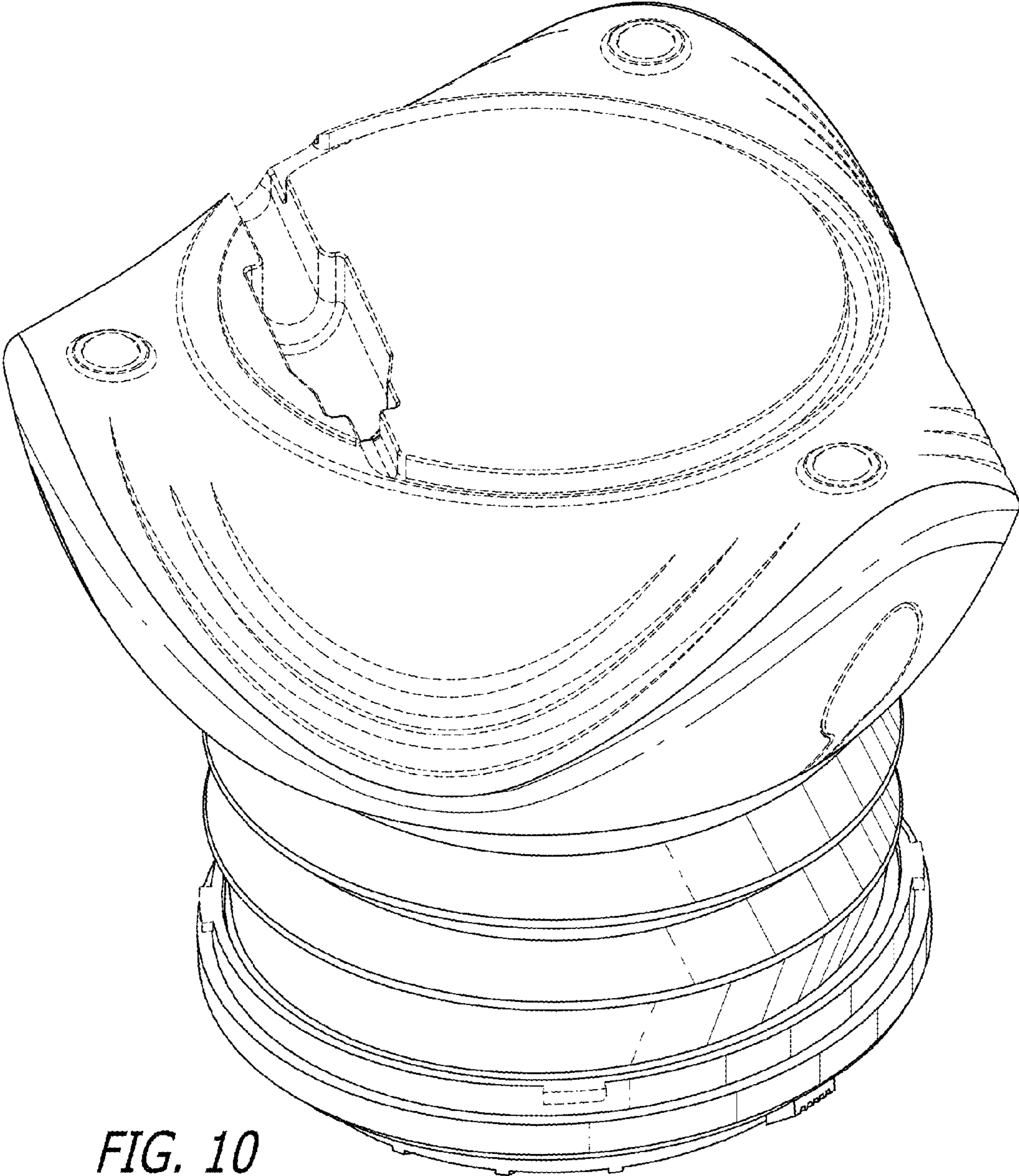


FIG. 10

FIG. 11

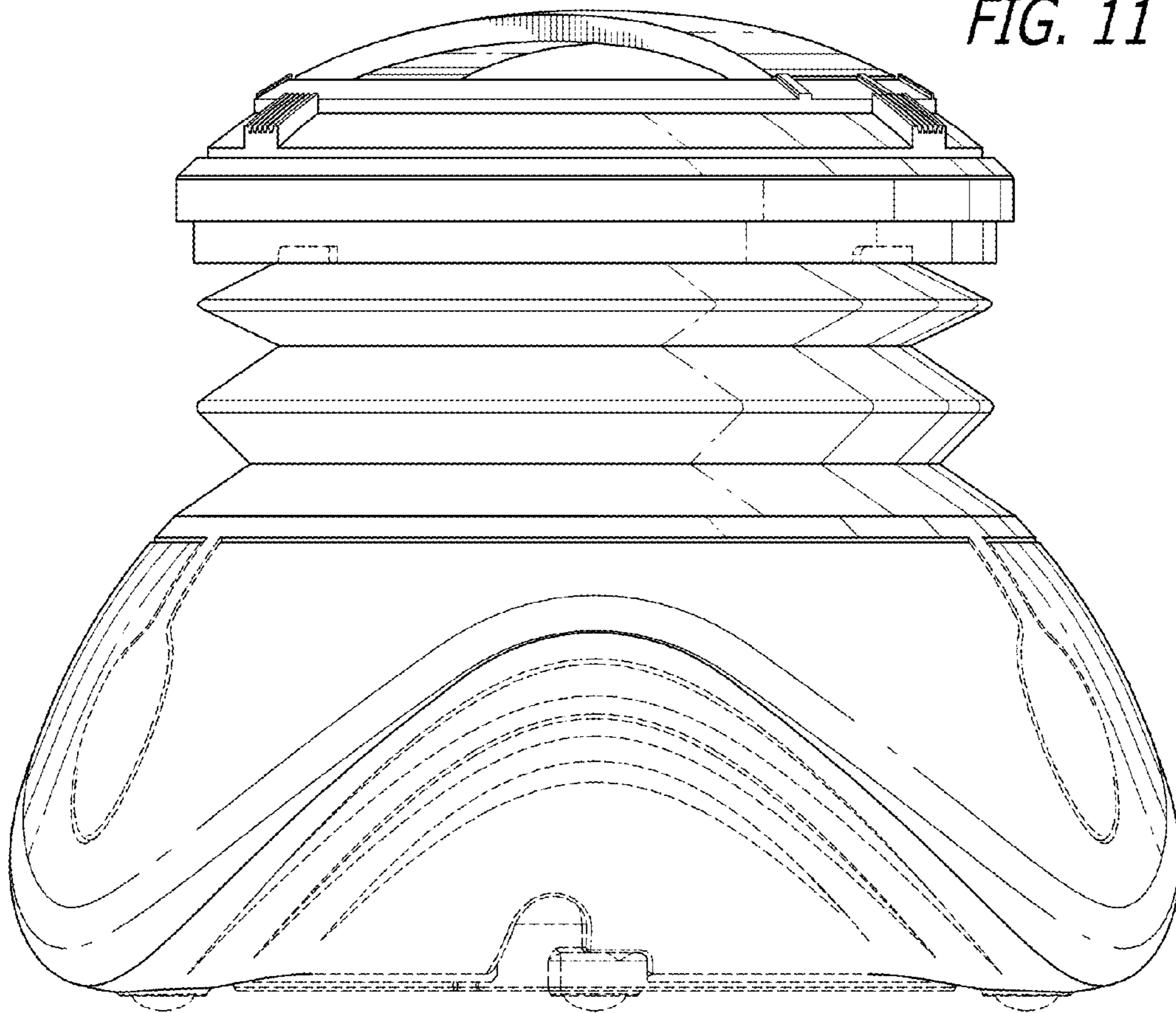


FIG. 12

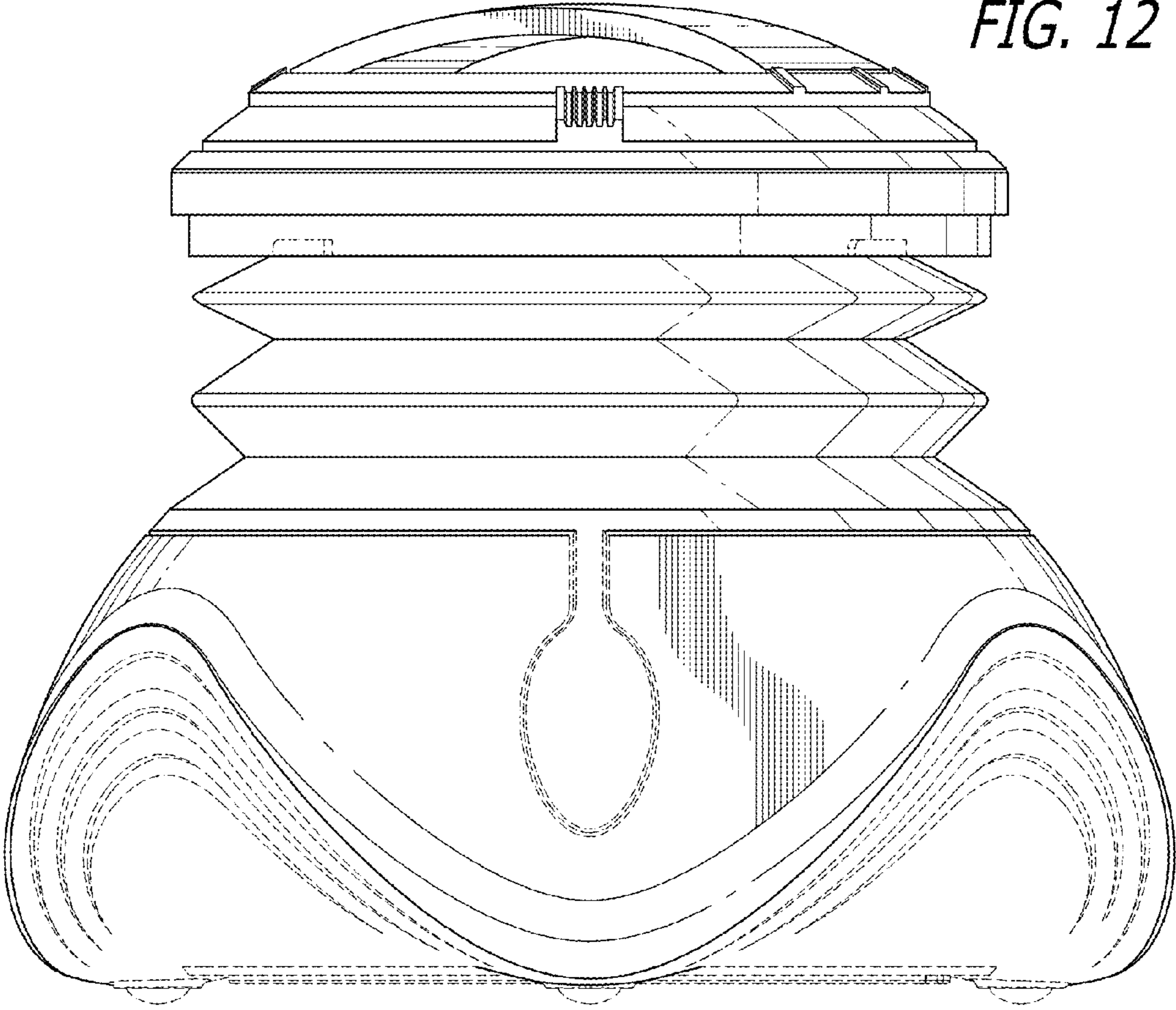
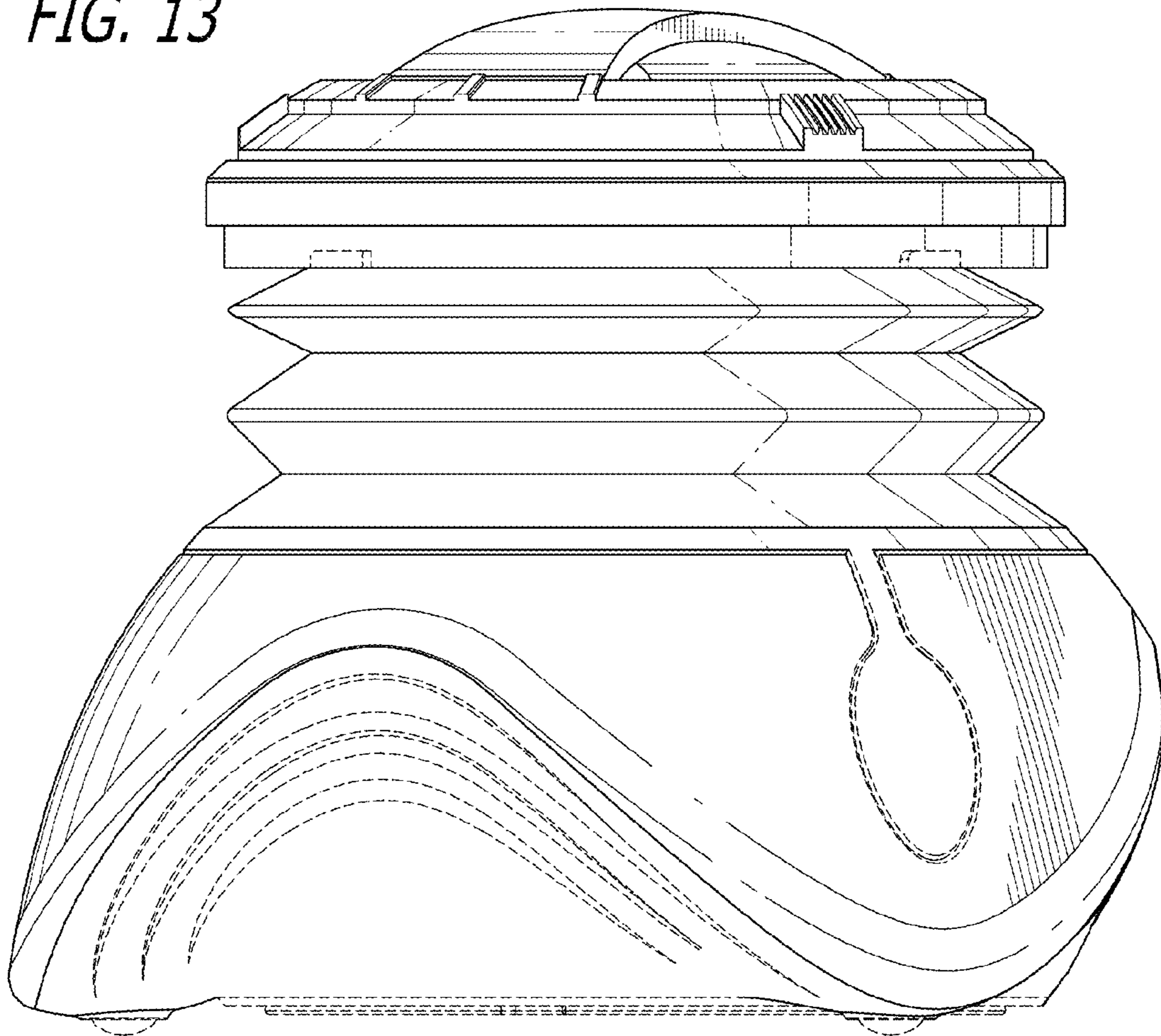


FIG. 13



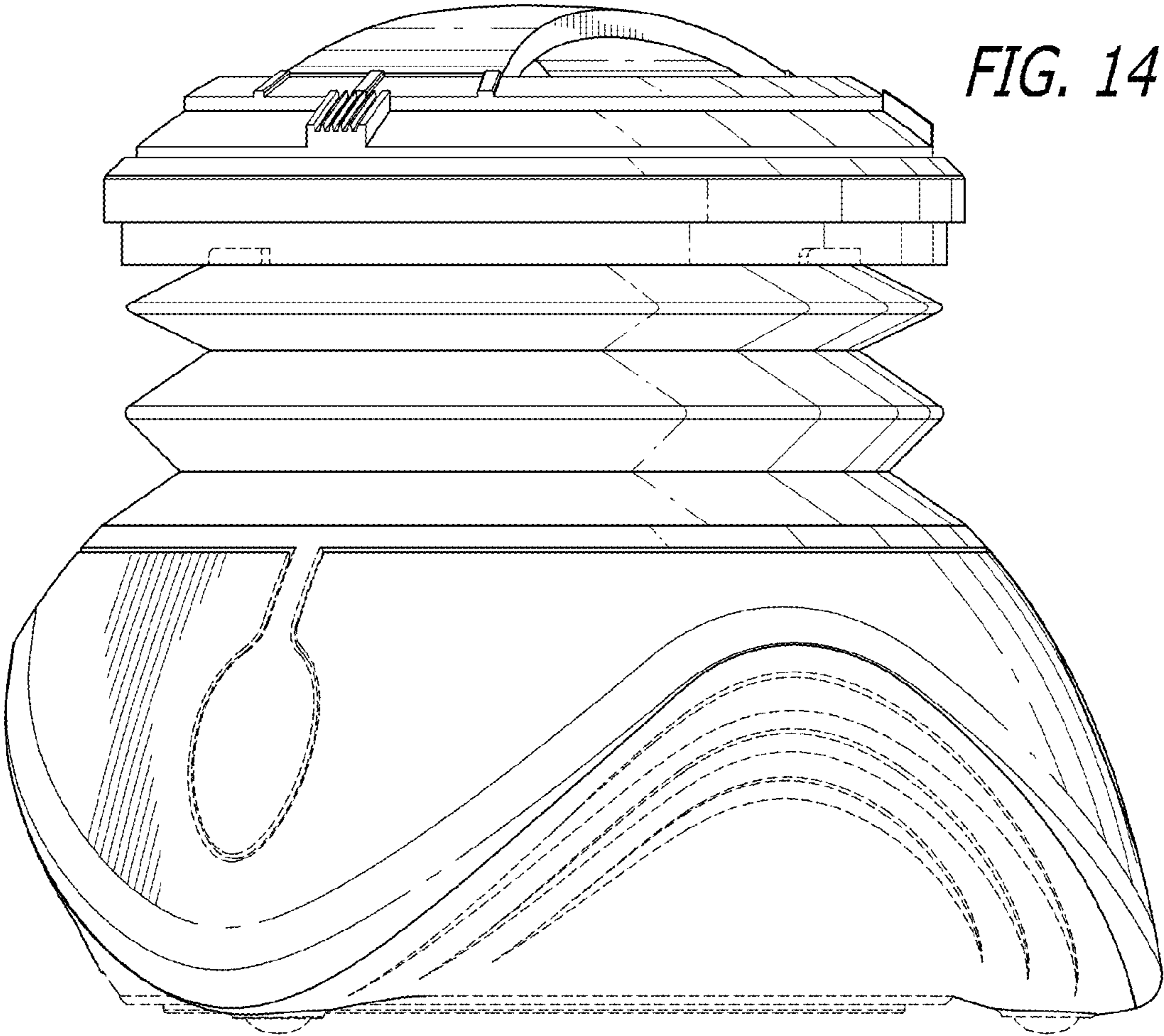


FIG. 14

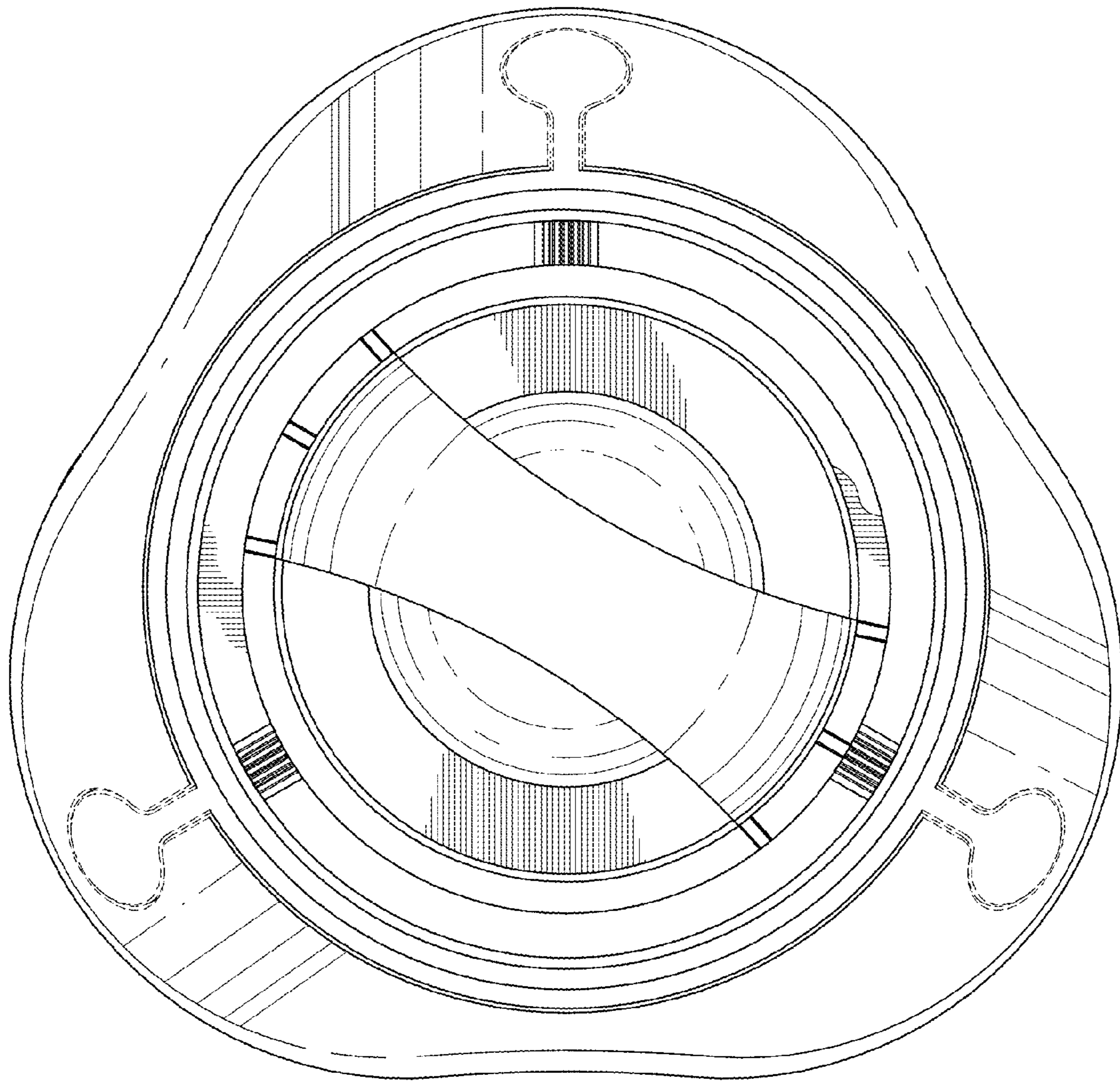


FIG. 15

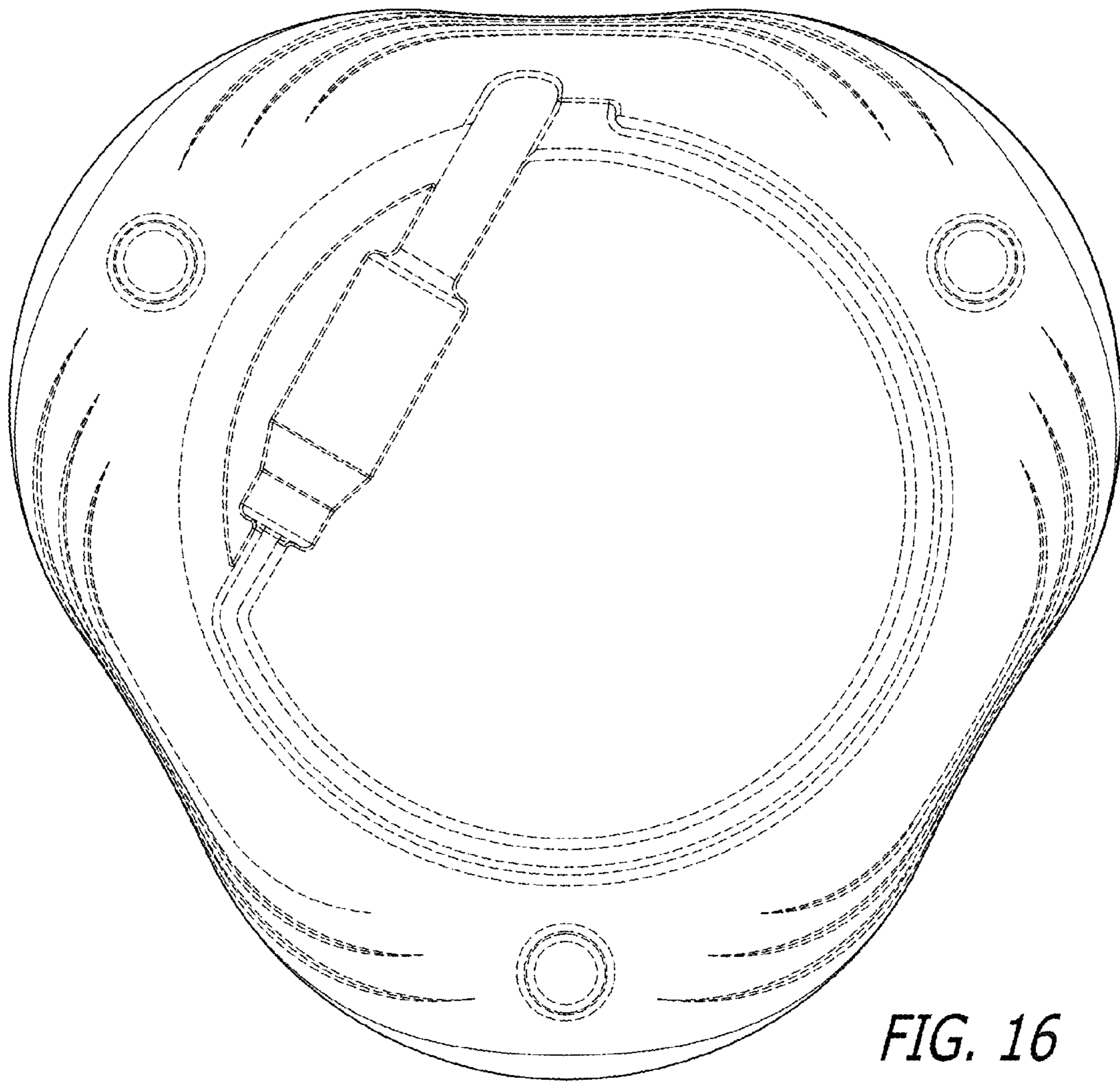


FIG. 16