



US00D731465S

(12) **United States Design Patent**
Khubani

(10) **Patent No.:** **US D731,465 S**

(45) **Date of Patent:** **** Jun. 9, 2015**

(54) **SOUND GENERATING MACHINE**

(71) Applicant: **OnTel Products Corporation**, Fairfield, NJ (US)

(72) Inventor: **Ashok Khubani**, Fairfield, NJ (US)

(73) Assignee: **ONTEL PRODUCTS CORPORATION**, Fairfield, NJ (US)

(**) Term: **14 Years**

(21) Appl. No.: **29/471,701**

(22) Filed: **Nov. 4, 2013**

(51) **LOC (10) Cl.** **14-03**

(52) **U.S. Cl.**
USPC **D14/216**

(58) **Field of Classification Search**
USPC D14/167, 168, 170–172, 188, 194–196, D14/204, 207, 209.1, 210–216, 219, 221, D14/222, 224, 496; 181/143, 144, 147, 148, 181/150, 153, 157, 198, 199; 381/300–303, 381/306, 332, 333, 336, 345, 361–364, 381/386–388; 369/6–12
CPC B60R 11/0217; G06F 1/1688; H04M 1/03; H04M 1/035; H04R 1/02; H04R 1/06; H04R 1/021; H04R 1/025; H04R 1/026; H04R 1/028; H04R 1/105; H04R 1/323; H04R 1/403; H04R 1/2803; H04R 1/2834; H04R 5/02; H04R 7/20; H04R 9/06; H04R 9/025; H04R 2201/021; H04R 2400/00; H04R 2400/07; H04R 2499/11; H04R 2499/13; H04R 2499/15; H04S 3/00; H04S 7/30

See application file for complete search history.

(56) **References Cited**

U.S. PATENT DOCUMENTS

D372,249 S *	7/1996	Pinchuk	D14/299
D429,178 S *	8/2000	Yuen	D10/116.1
D465,484 S *	11/2002	Christianson	D14/299
D610,571 S *	2/2010	Jha	D14/216
D625,295 S *	10/2010	Nogueira et al.	D14/218
D675,190 S *	1/2013	Nylen	D14/215
D678,243 S *	3/2013	McManigal et al.	D14/214
D691,587 S *	10/2013	Ferber et al.	D14/216
D695,713 S *	12/2013	Szymanski	D14/216
D710,826 S *	8/2014	Holzer	D14/216

* cited by examiner

Primary Examiner — Keli L Hill

(74) *Attorney, Agent, or Firm* — Epstein Drangel LLP; Robert L. Epstein

(57) **CLAIM**

The ornamental design for a sound generating machine, substantially as shown and described.

DESCRIPTION

FIG. 1 is an isometric view showing the front, and top of my design;

FIG. 2 is a plan view showing the front of my design;

FIG. 3 is a plan view showing the rear of my design;

FIG. 4 is a plan view showing one side of my design, the other side being the mirror image thereof;

FIG. 5 is a plan view showing of the top of my design; and,

FIG. 6 is a plan view showing the bottom of my design.

1 Claim, 4 Drawing Sheets

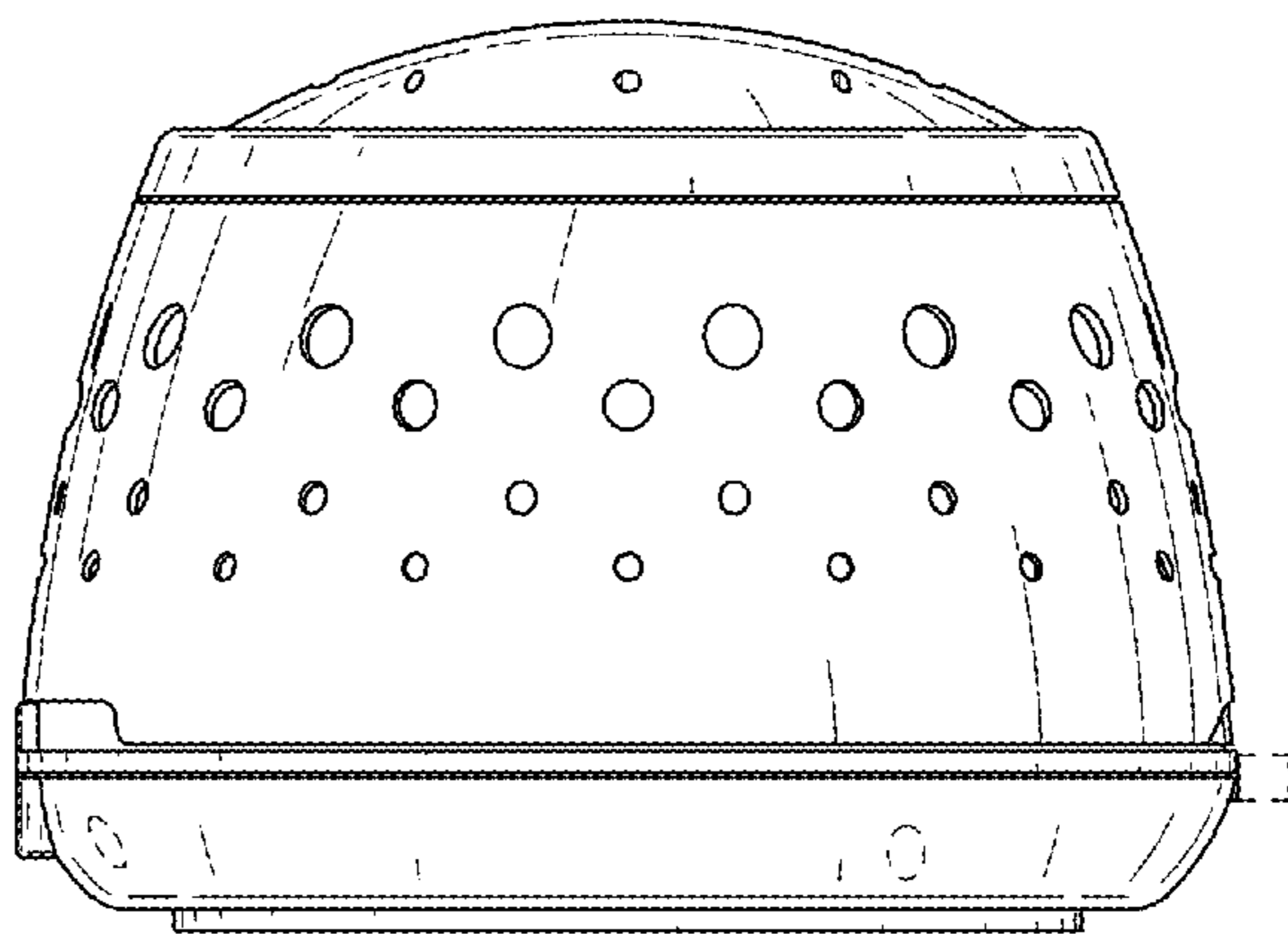
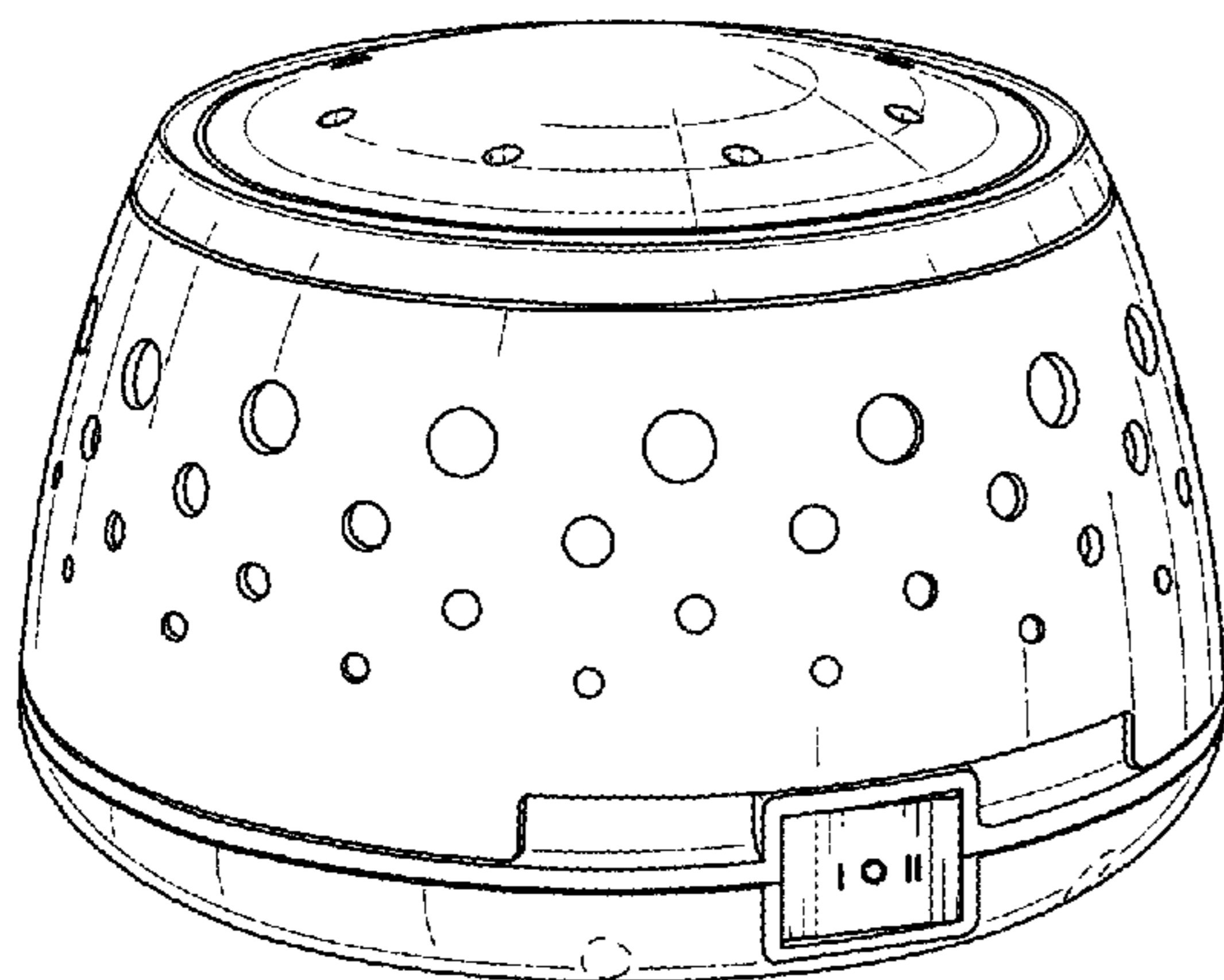


FIG. 1

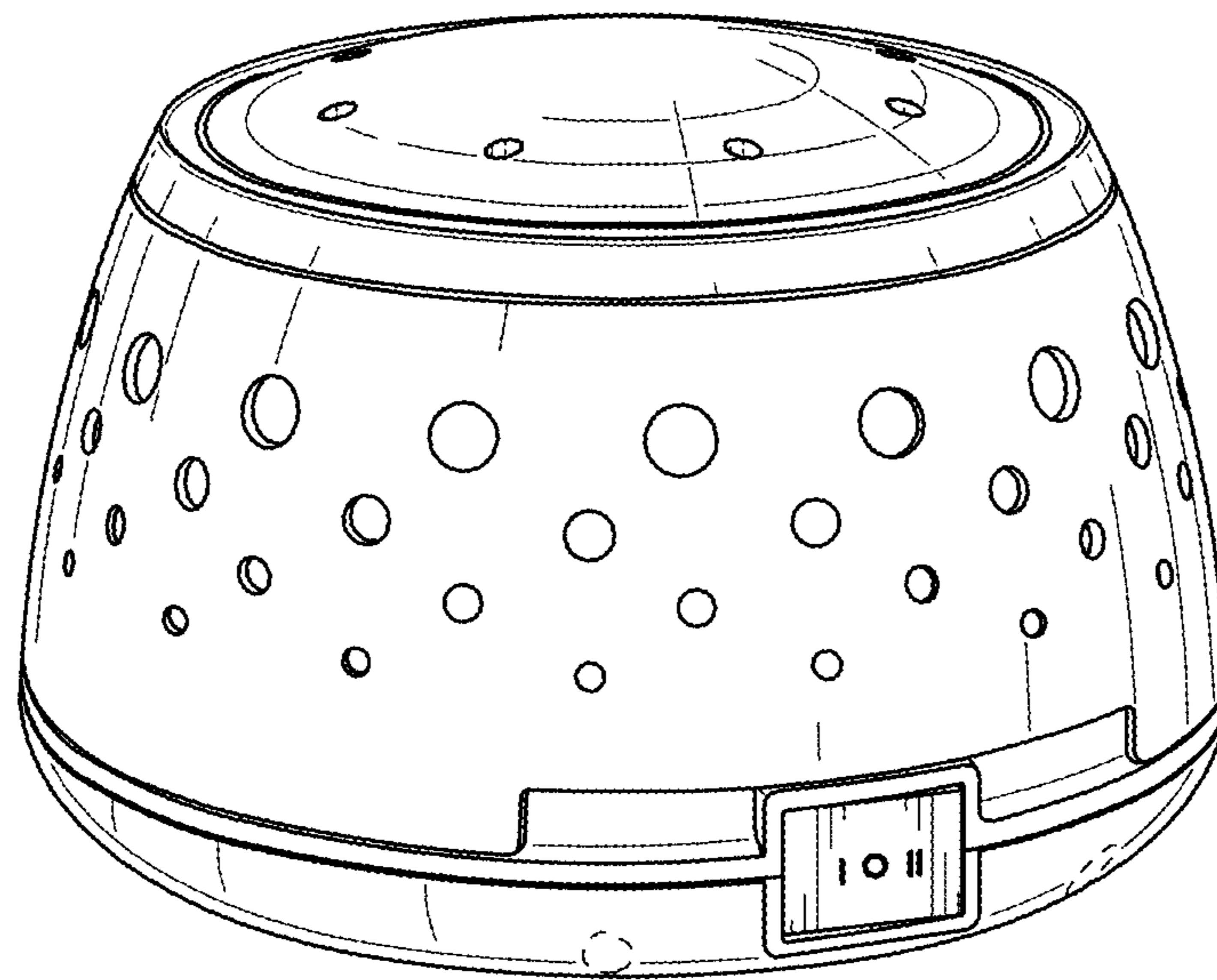


FIG. 2

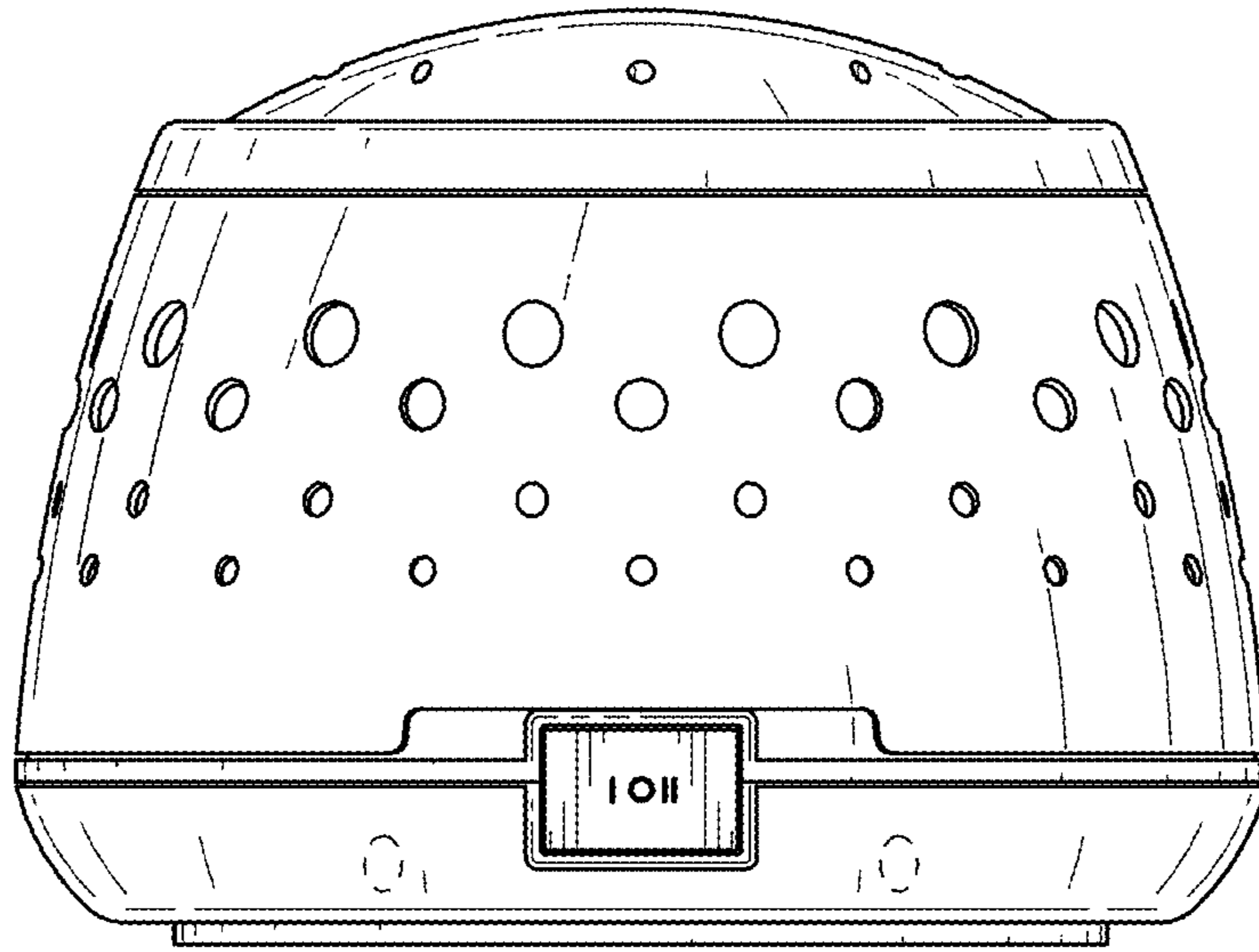


FIG. 3

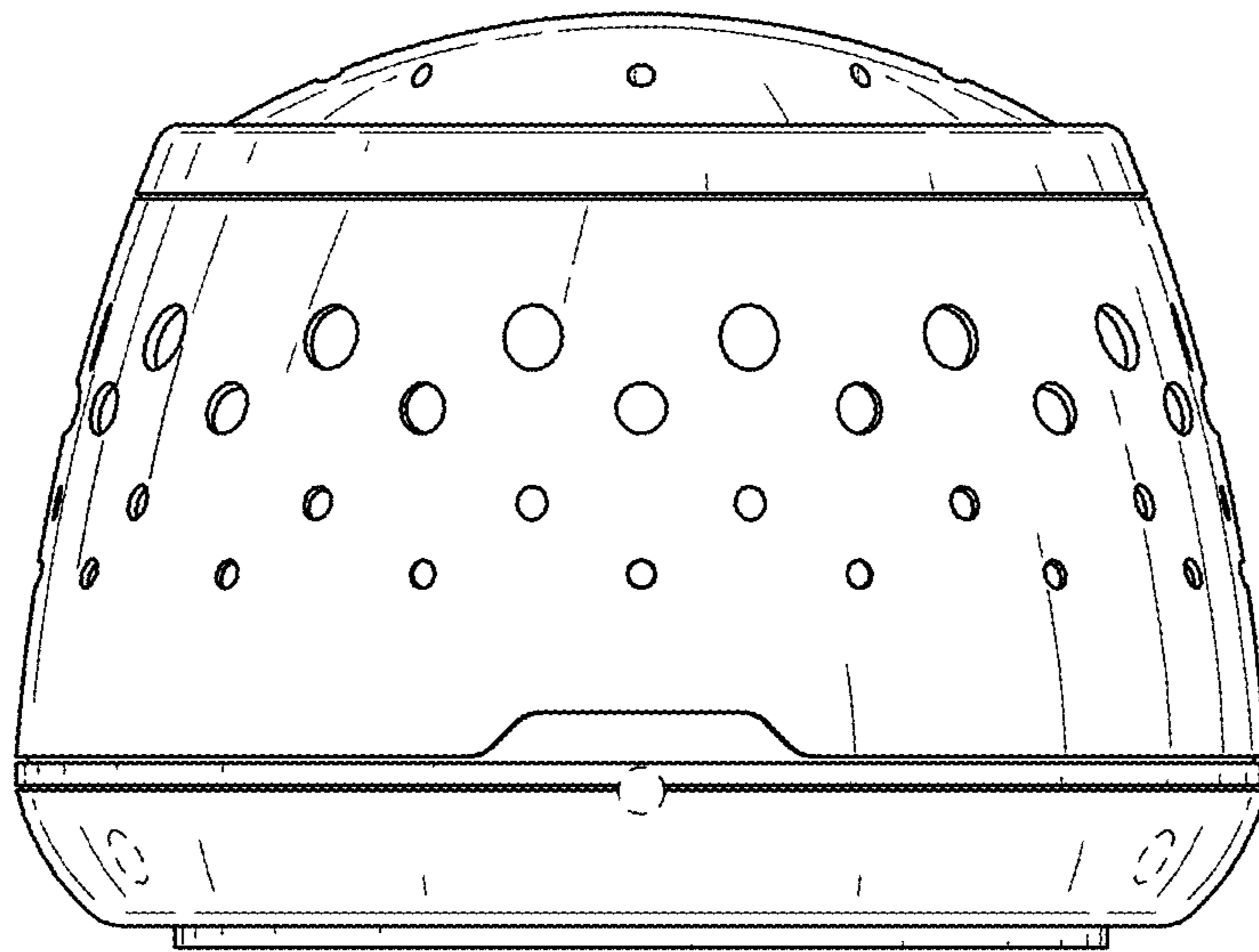


FIG. 4

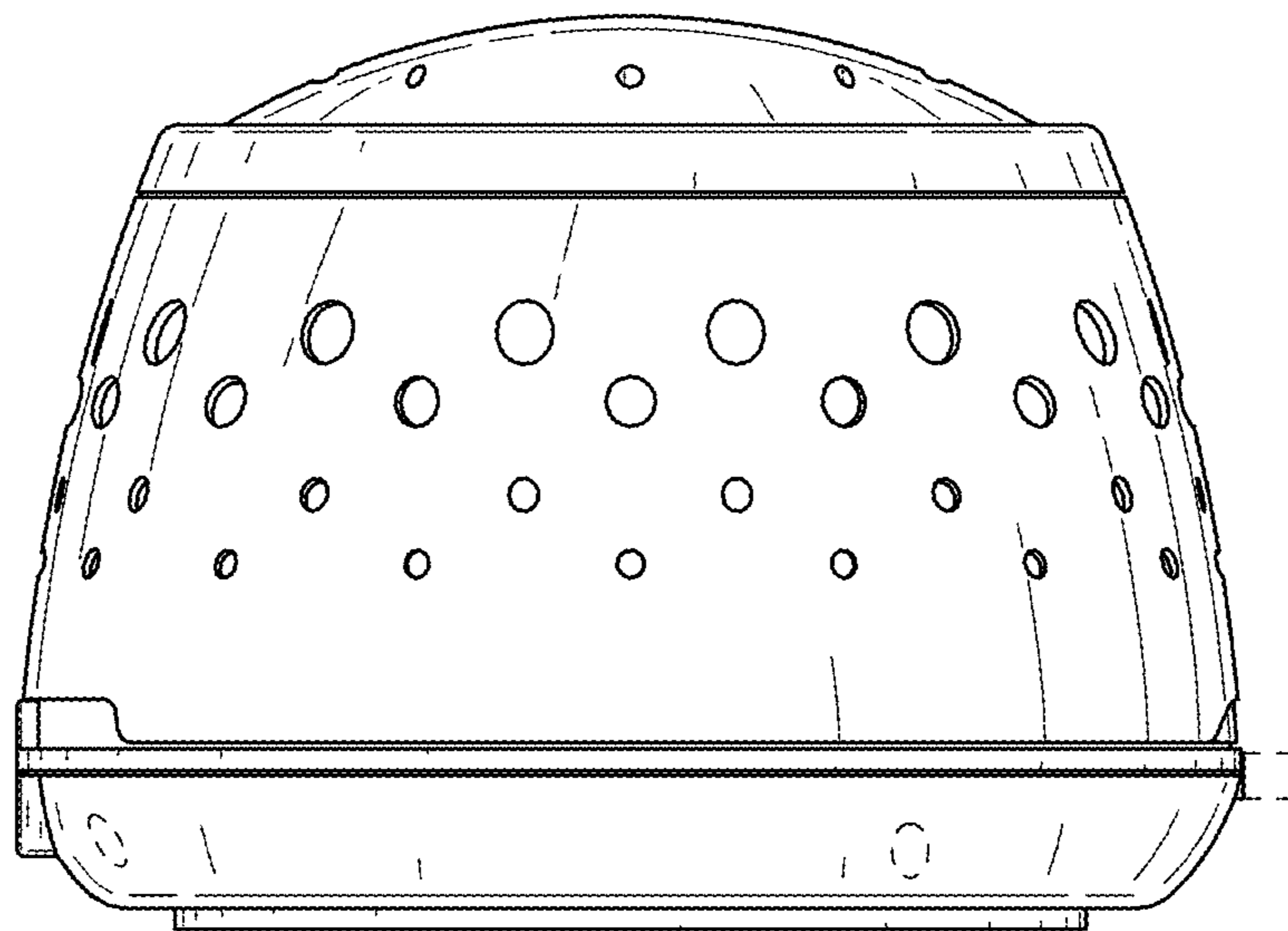


FIG. 5

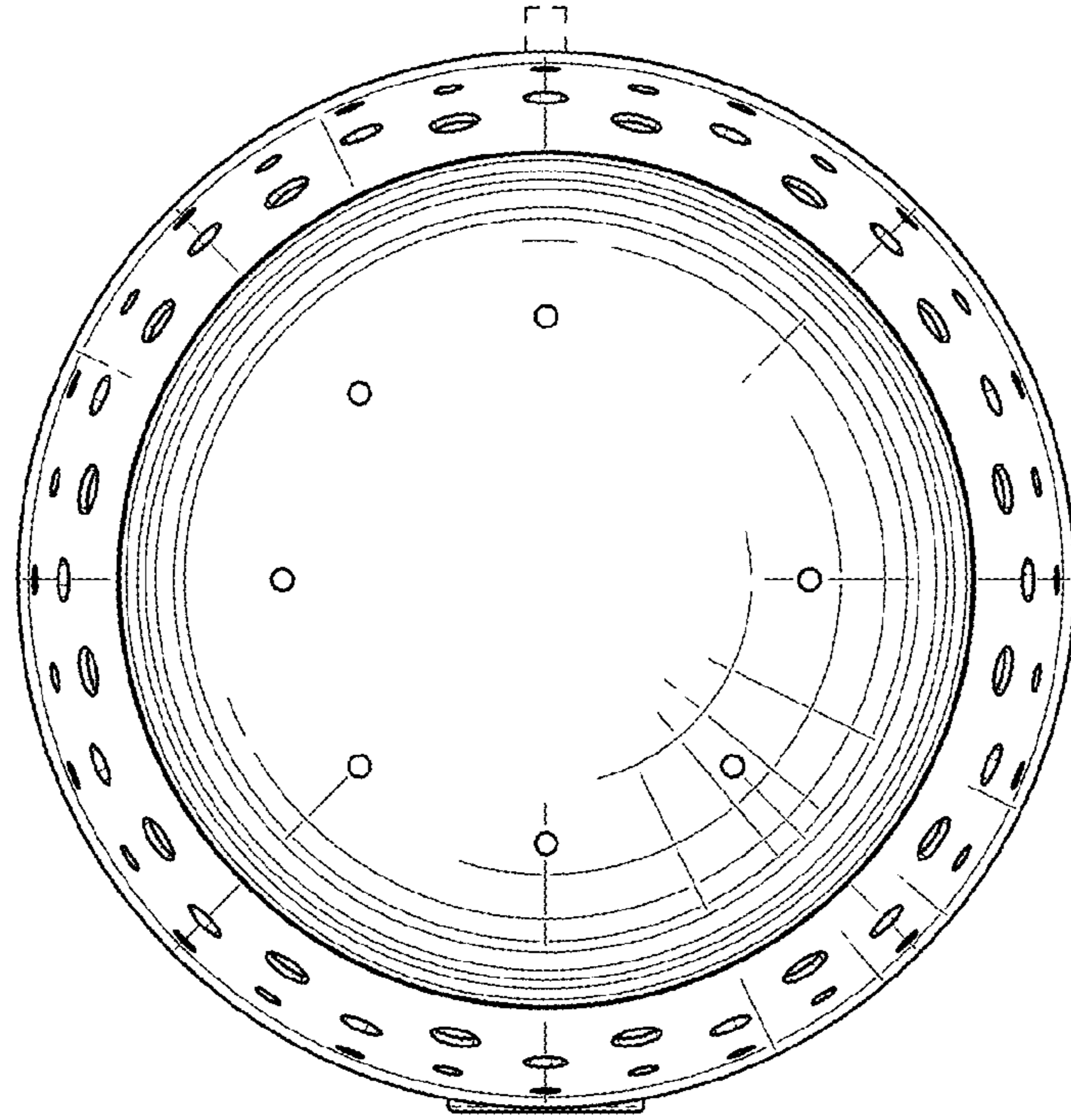


FIG. 6

