



US00D731464S

(12) **United States Design Patent**
Valeur

(10) **Patent No.:** **US D731,464 S**
(45) **Date of Patent:** **** Jun. 9, 2015**

(54) **LOUDSPEAKER**

2400/07; H04R 2499/11; H04R 2499/13;
H04R 2499/15; H04S 3/00; H04S 7/30

(71) Applicant: **Bang & Olufsen A/S**, Struer (DK)

See application file for complete search history.

(72) Inventor: **Torsten Valeur**, København V (DK)

(56) **References Cited**

(73) Assignee: **Bang & Olufsen A/S**, Struer (DK)

U.S. PATENT DOCUMENTS

(**) Term: **14 Years**

D480,372 S * 10/2003 Chen et al. D14/507
D505,131 S * 5/2005 Lee et al. D14/215
D596,156 S * 7/2009 Morisawa D14/209.1
D688,227 S * 8/2013 Lee D14/209.1

(21) Appl. No.: **29/485,568**

* cited by examiner

(22) Filed: **Mar. 20, 2014**

(30) **Foreign Application Priority Data**

Primary Examiner — Keli L Hill

Sep. 20, 2013 (DK) DA 2013 00066

(74) *Attorney, Agent, or Firm* — Dykema Gossett PLLC

(51) **LOC (10) Cl.** **14-03**

(57) **CLAIM**

(52) **U.S. Cl.**

The ornamental design for a loudspeaker, as shown and described.

USPC **D14/215**; D14/211

(58) **Field of Classification Search**

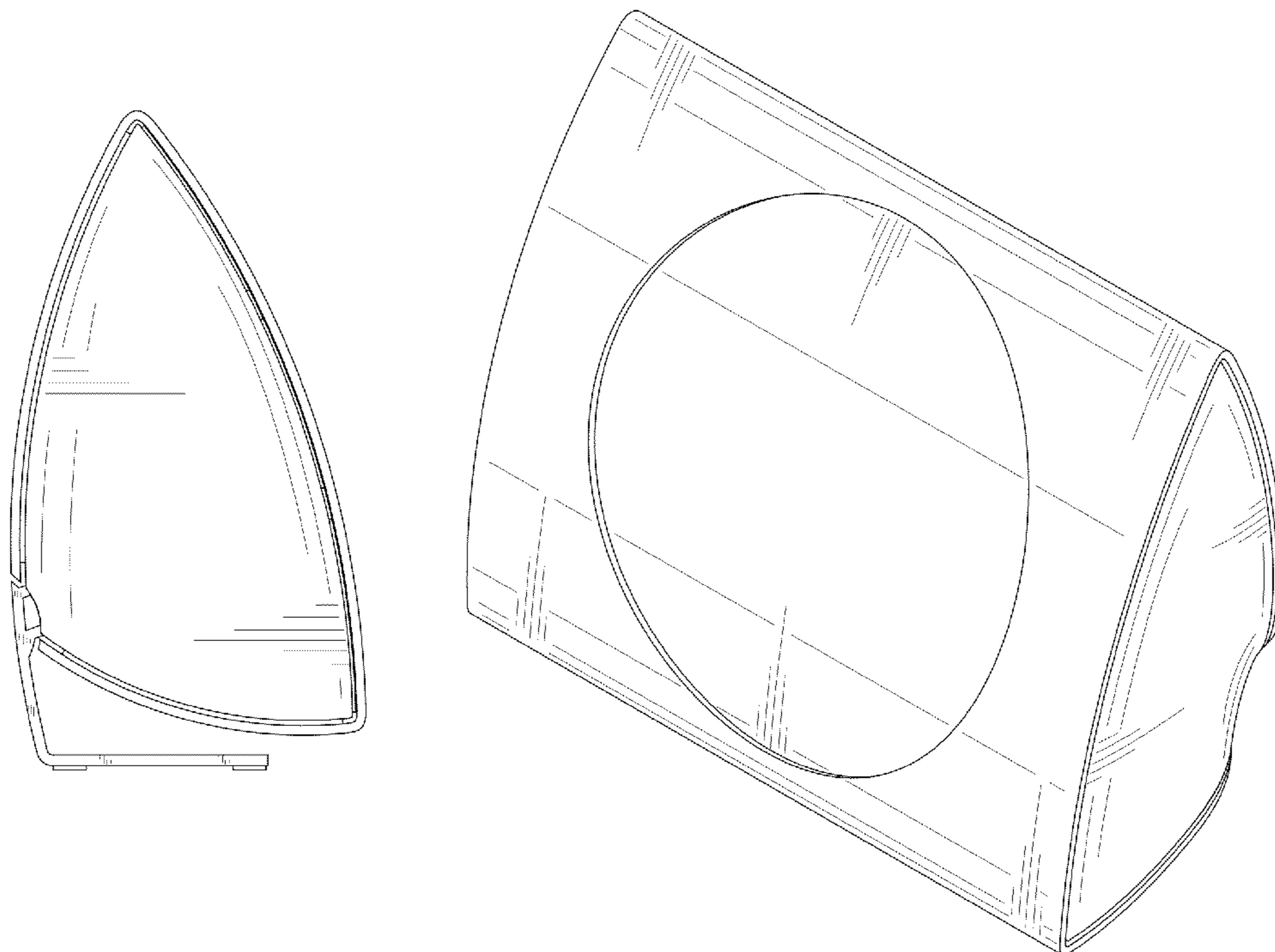
DESCRIPTION

USPC D14/167, 168, 170–172, 188, 194–196,
D14/204, 207, 209.1, 210–216, 219, 221,
D14/222, 224, 496; 181/143, 144, 147, 148,
181/150, 153, 157, 198, 199; 381/300–303,
381/306, 332, 333, 336, 345, 361–364,
381/386–388; 369/6–12

FIG. 1 is a front elevation view of a loudspeaker showing my new design;
FIG. 2 is a right side elevation view of FIG. 1, wherein the left side elevation view is a mirror image thereof;
FIG. 3 is a rear elevation view of FIG. 1;
FIG. 4 is a top plan view of FIG. 1;
FIG. 5 is a bottom plan view of FIG. 1;
FIG. 6 is a front, top, and side perspective view of FIG. 1; and,
FIG. 7 is a rear, top, and side perspective view of FIG. 1.

CPC B60R 11/0217; G06F 1/1688; H04M 1/03;
H04M 1/035; H04R 1/02; H04R 1/06; H04R
1/021; H04R 1/025; H04R 1/026; H04R
1/028; H04R 1/105; H04R 1/323; H04R
1/403; H04R 1/2803; H04R 1/2834; H04R
5/02; H04R 7/20; H04R 9/06; H04R 9/025;
H04R 2201/021; H04R 2400/00; H04R

1 Claim, 7 Drawing Sheets



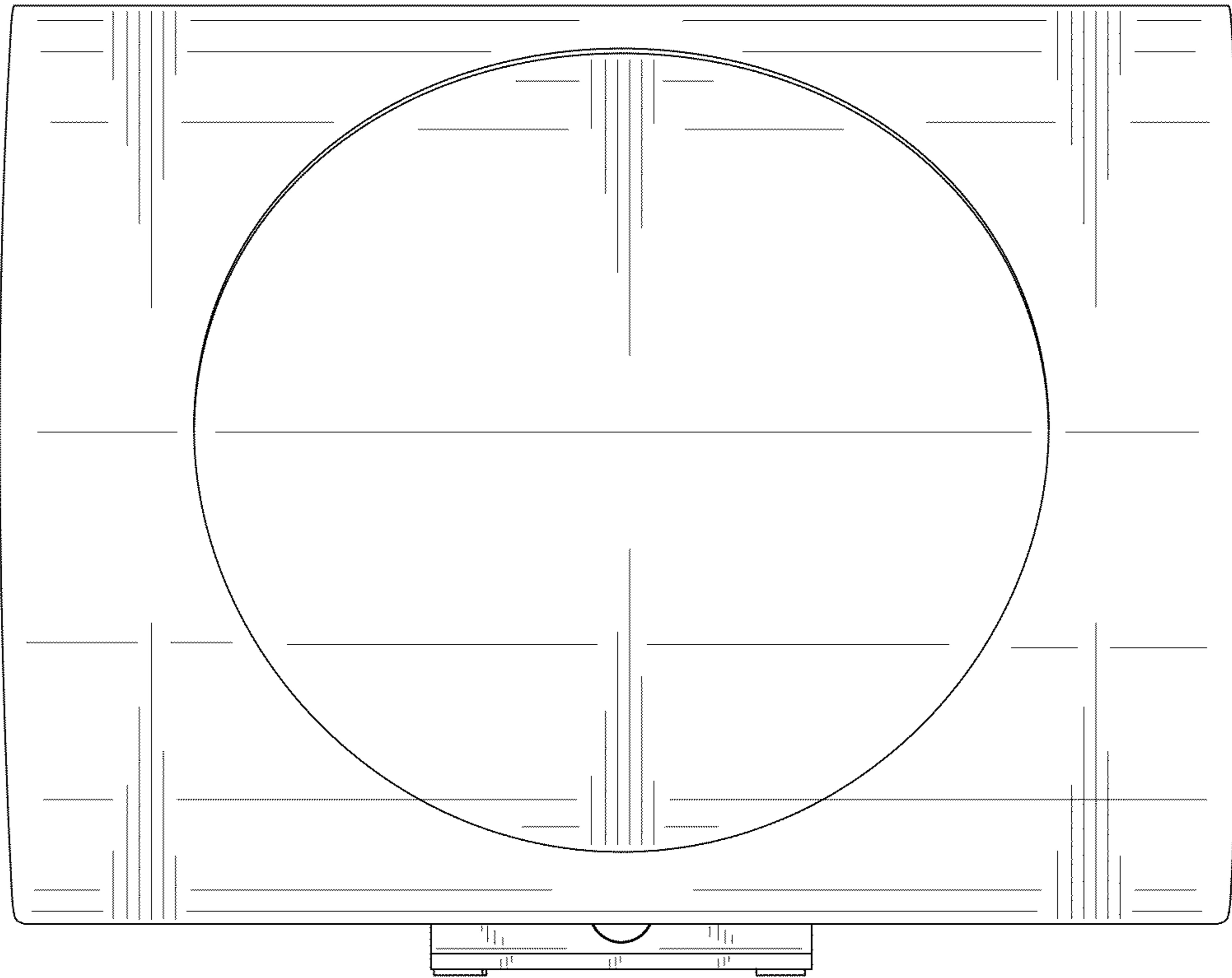


FIG. 1

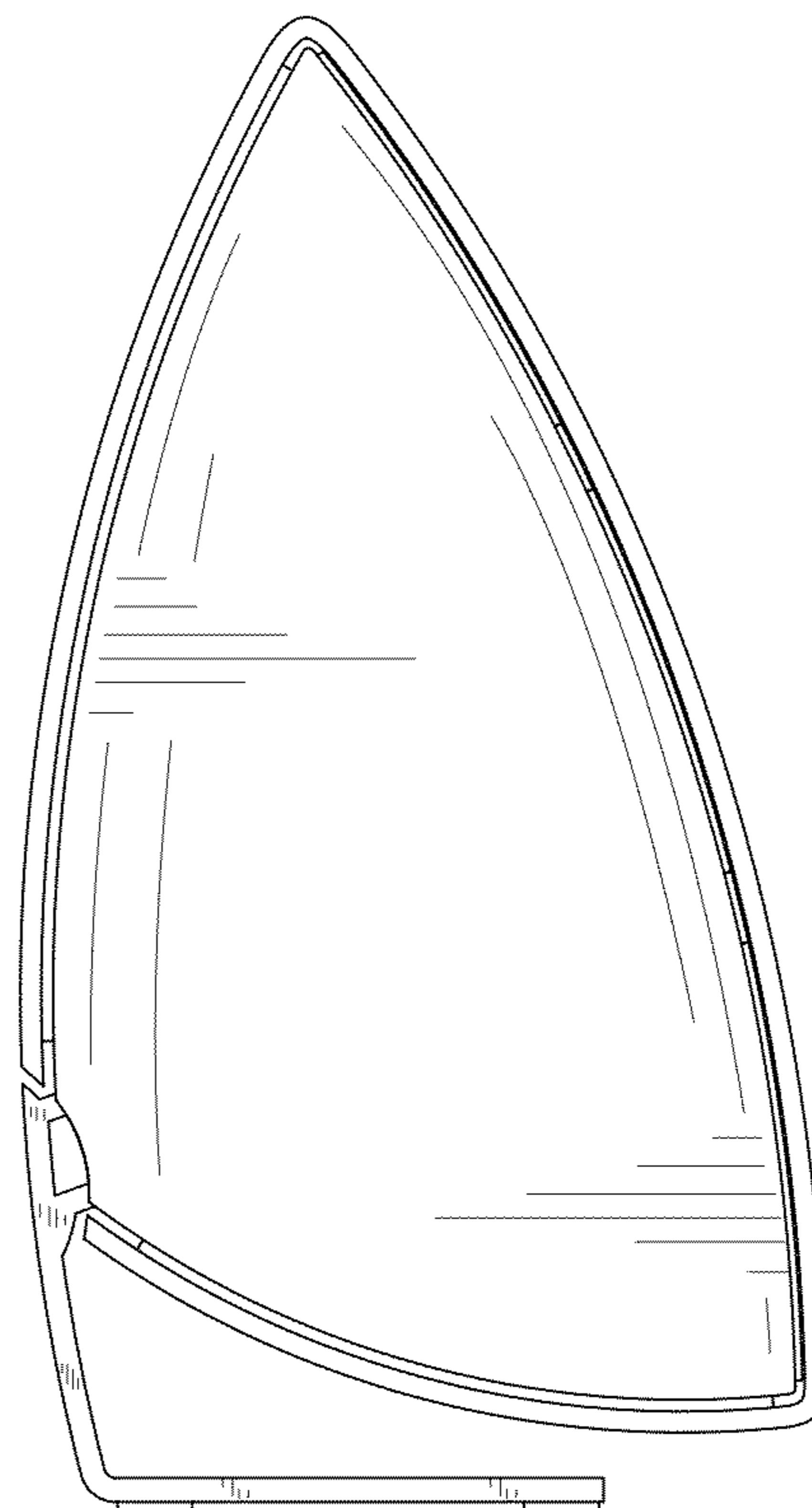


FIG. 2

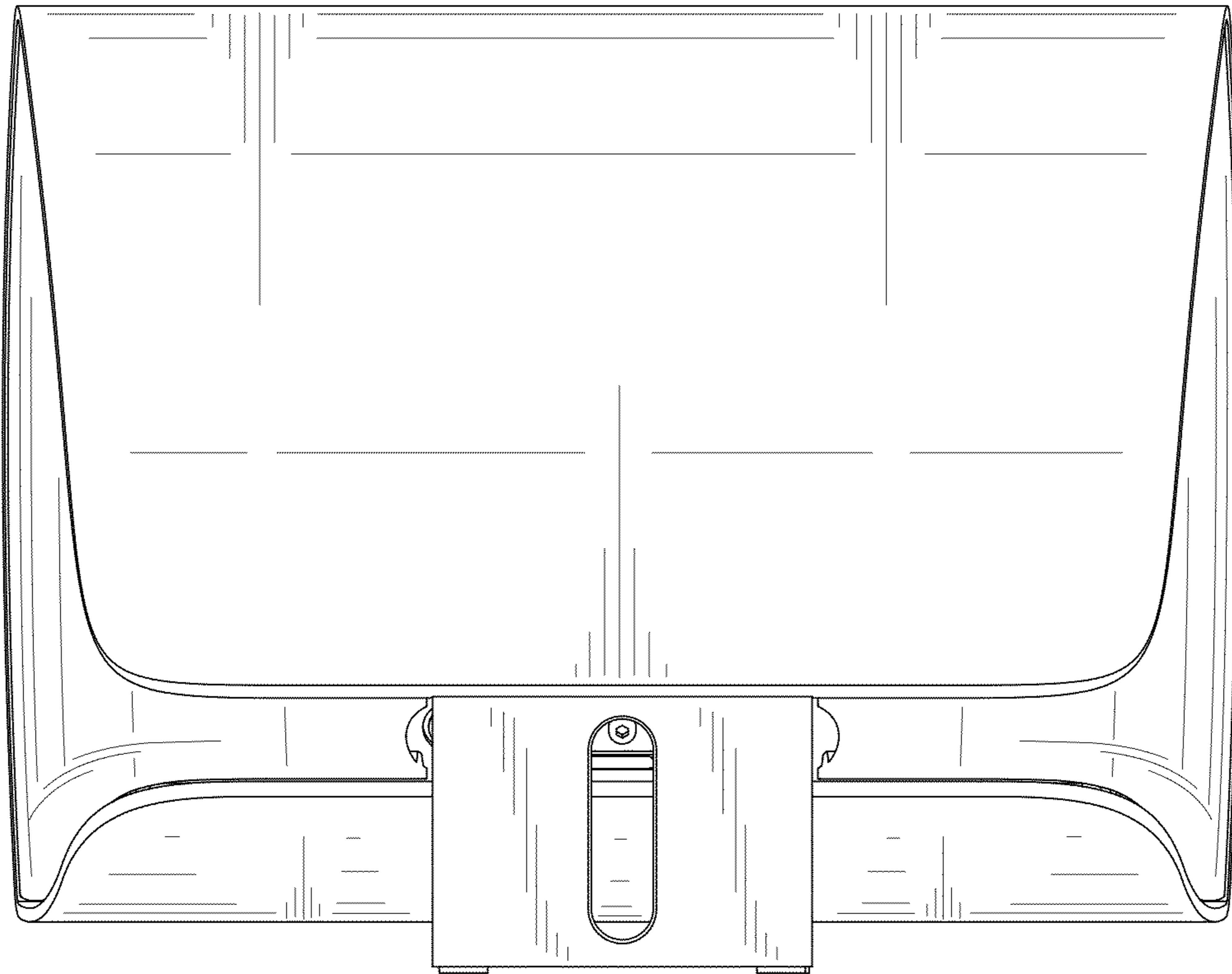


FIG. 3

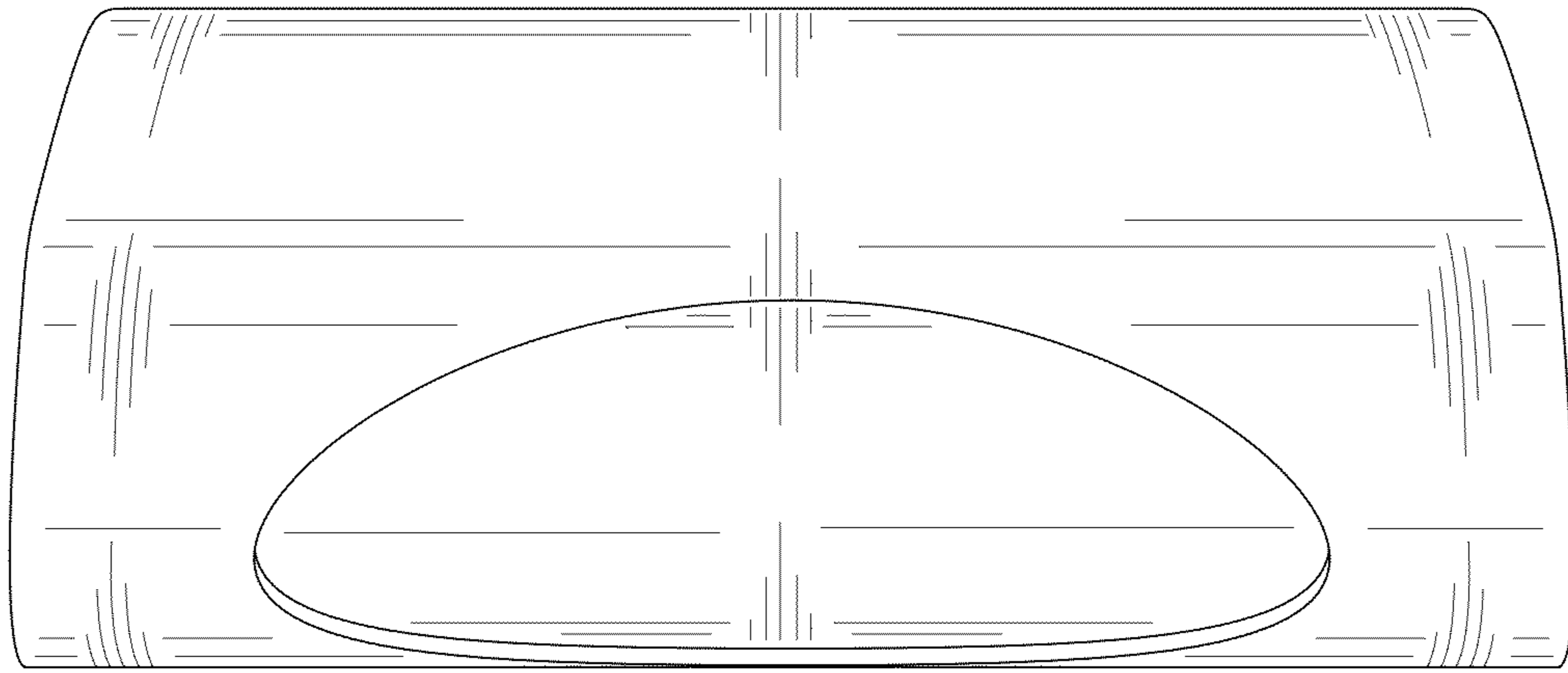


FIG. 4

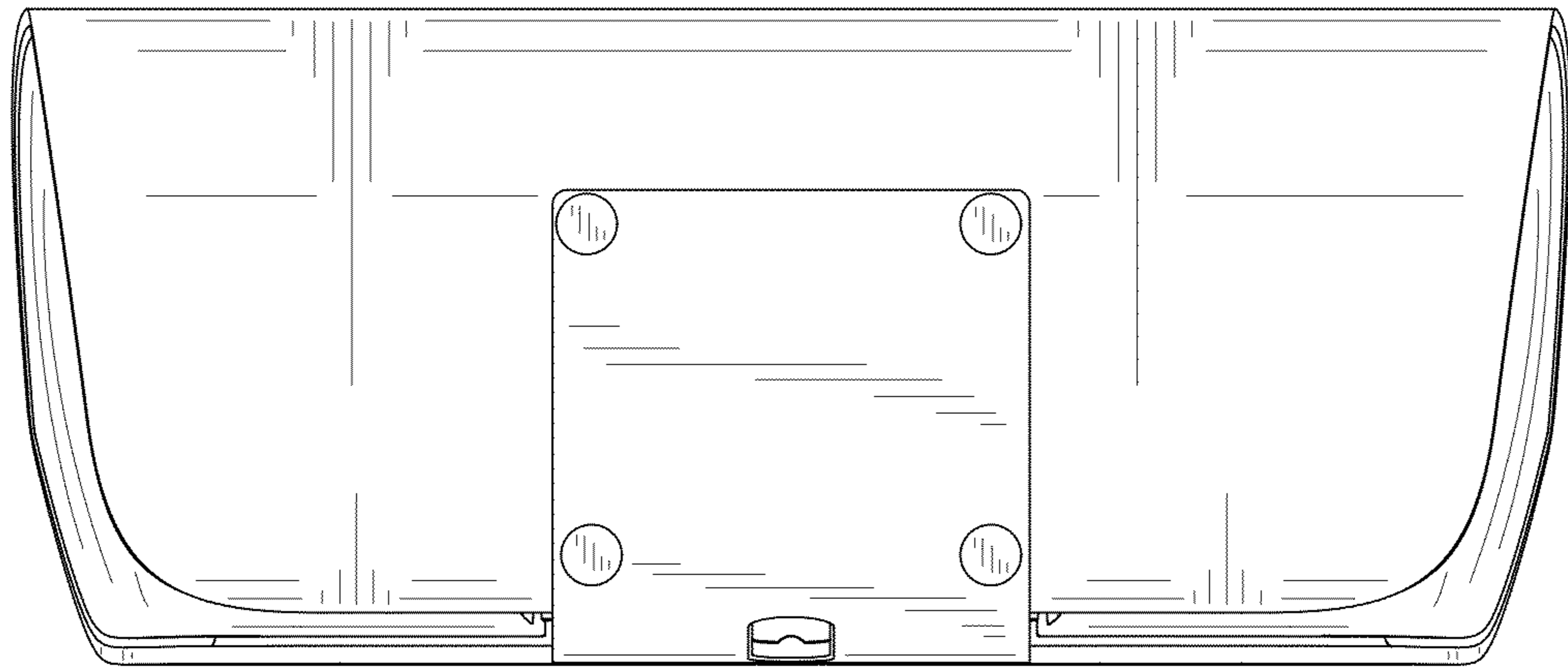


FIG. 5

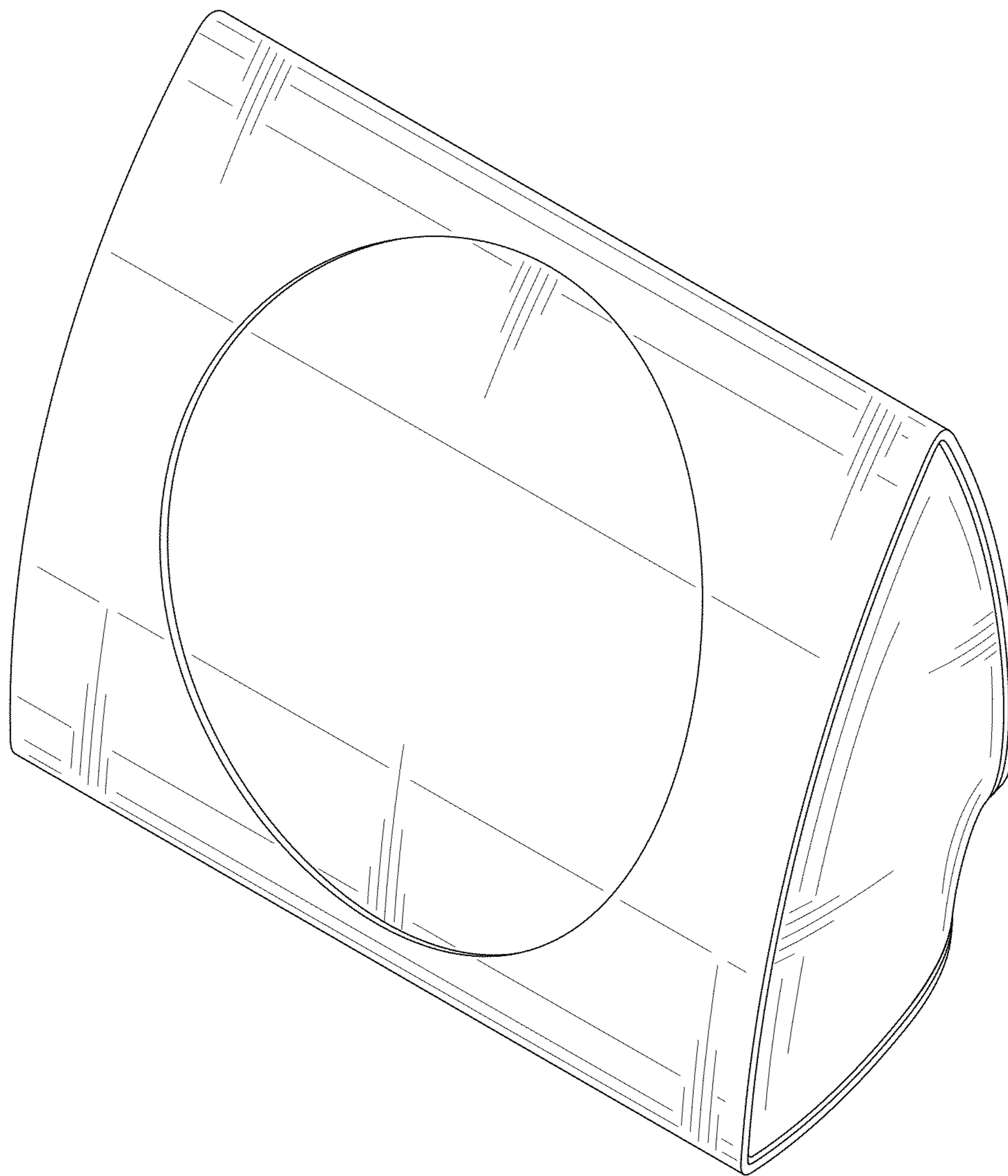


FIG. 6

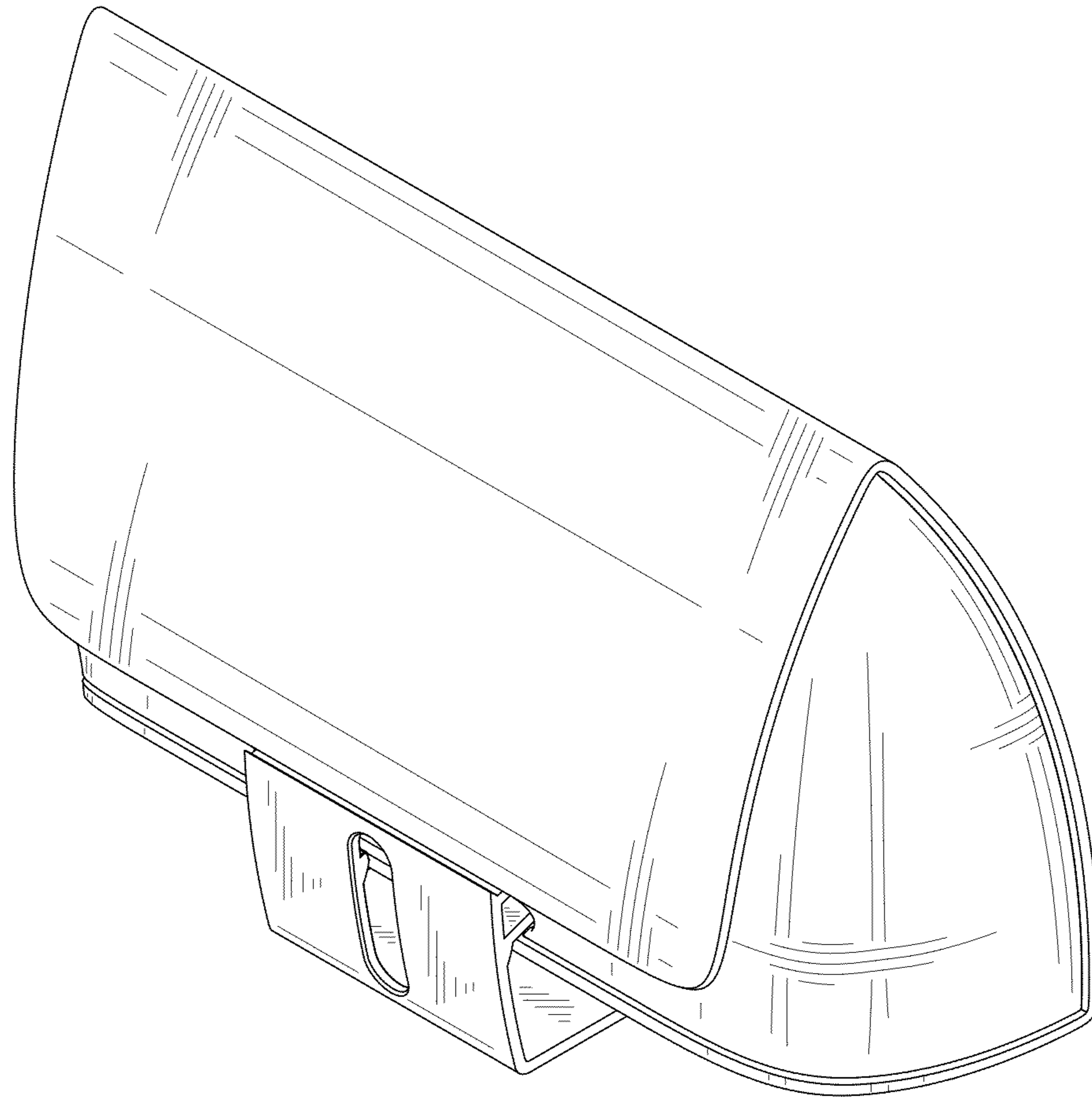


FIG. 7