



US00D731463S

(12) **United States Design Patent**
Ho

(10) **Patent No.:** **US D731,463 S**

(45) **Date of Patent:** **** Jun. 9, 2015**

(54) **PORTABLE SPEAKER**

H04R 2499/15; H04S 3/00; H04S 7/30
See application file for complete search history.

(71) Applicant: **AmTRAN TECHNOLOGY CO., LTD,**
New Taipei (TW)

(56) **References Cited**

(72) Inventor: **Chi-Feng Ho,** New Taipei (TW)

U.S. PATENT DOCUMENTS

(73) Assignee: **AmTRAN TECHNOLOGY CO., LTD.,** New Taipei (TW)

D223,580	S	*	5/1972	Richards	D14/215
D595,261	S	*	6/2009	Xie et al.	D14/168
D609,718	S	*	2/2010	Chang et al.	D14/496
D641,338	S	*	7/2011	Chen	D14/209.1
D665,424	S	*	8/2012	Ledbetter et al.	D14/496
D670,264	S	*	11/2012	Tsai	D14/172
D672,747	S	*	12/2012	Khoo et al.	D14/214
D684,561	S	*	6/2013	Ni	D14/214
D715,770	S	*	10/2014	McManigal	D14/214
D719,137	S	*	12/2014	Cheng	D14/216
2012/0300962	A1	*	11/2012	Devoto	381/300

(**) Term: **14 Years**

(21) Appl. No.: **29/481,189**

(22) Filed: **Feb. 3, 2014**

* cited by examiner

(30) **Foreign Application Priority Data**

Dec. 6, 2013 (CN) 2013 3 0603521

(51) **LOC (10) Cl.** **14-03**

Primary Examiner — Keli L Hill

(52) **U.S. Cl.**

(74) *Attorney, Agent, or Firm* — Muncy, Geissler, Olds & Lowe, P.C.

USPC **D14/214**

(58) **Field of Classification Search**

(57) **CLAIM**

USPC D14/167, 168, 170–172, 188, 194–196,
D14/204, 207, 209.1, 210–216, 219, 221,
D14/222, 224, 496; 181/143, 144, 147, 148,
181/150, 153, 157, 198, 199; 381/300–303,
381/306, 332, 333, 336, 345, 361–364,
381/386–388; 369/6–12

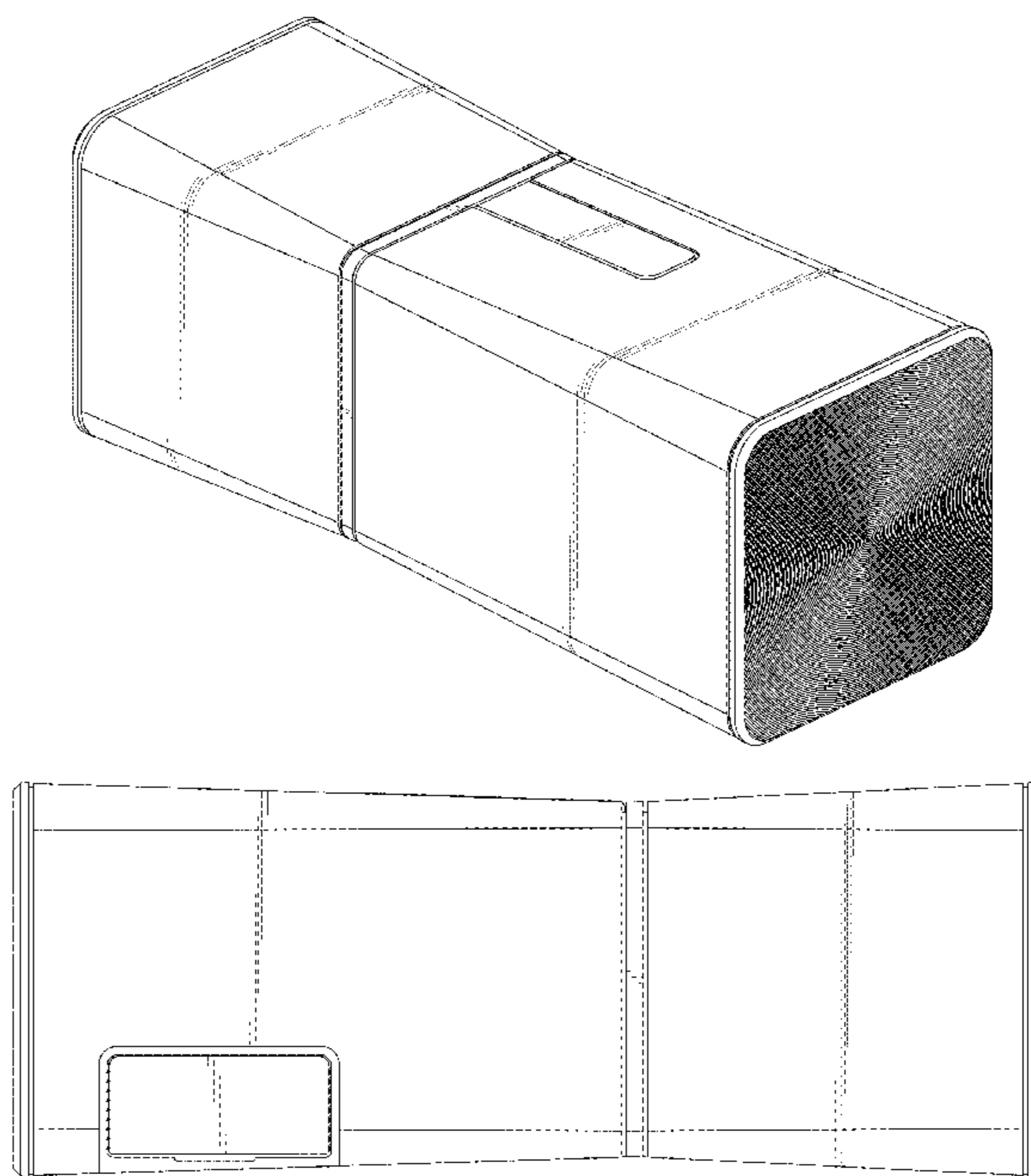
The ornamental design for a “portable speaker,” as shown and described.

CPC B60R 11/0217; G06F 1/1688; H04M 1/03;
H04M 1/035; H04R 1/02; H04R 1/06; H04R
1/021; H04R 1/025; H04R 1/026; H04R
1/028; H04R 1/105; H04R 1/323; H04R
1/403; H04R 1/2803; H04R 1/2834; H04R
5/02; H04R 7/20; H04R 9/06; H04R 9/025;
H04R 2201/021; H04R 2400/00; H04R
2400/07; H04R 2499/11; H04R 2499/13;

DESCRIPTION

FIG. 1 is a perspective view of portable speaker showing our new design;
FIG. 2 is a front view thereof;
FIG. 3 is a rear view thereof;
FIG. 4 is a left side elevational view thereof;
FIG. 5 is a right side elevational view thereof;
FIG. 6 is a top view thereof; and,
FIG. 7 is a bottom view thereof.

1 Claim, 6 Drawing Sheets



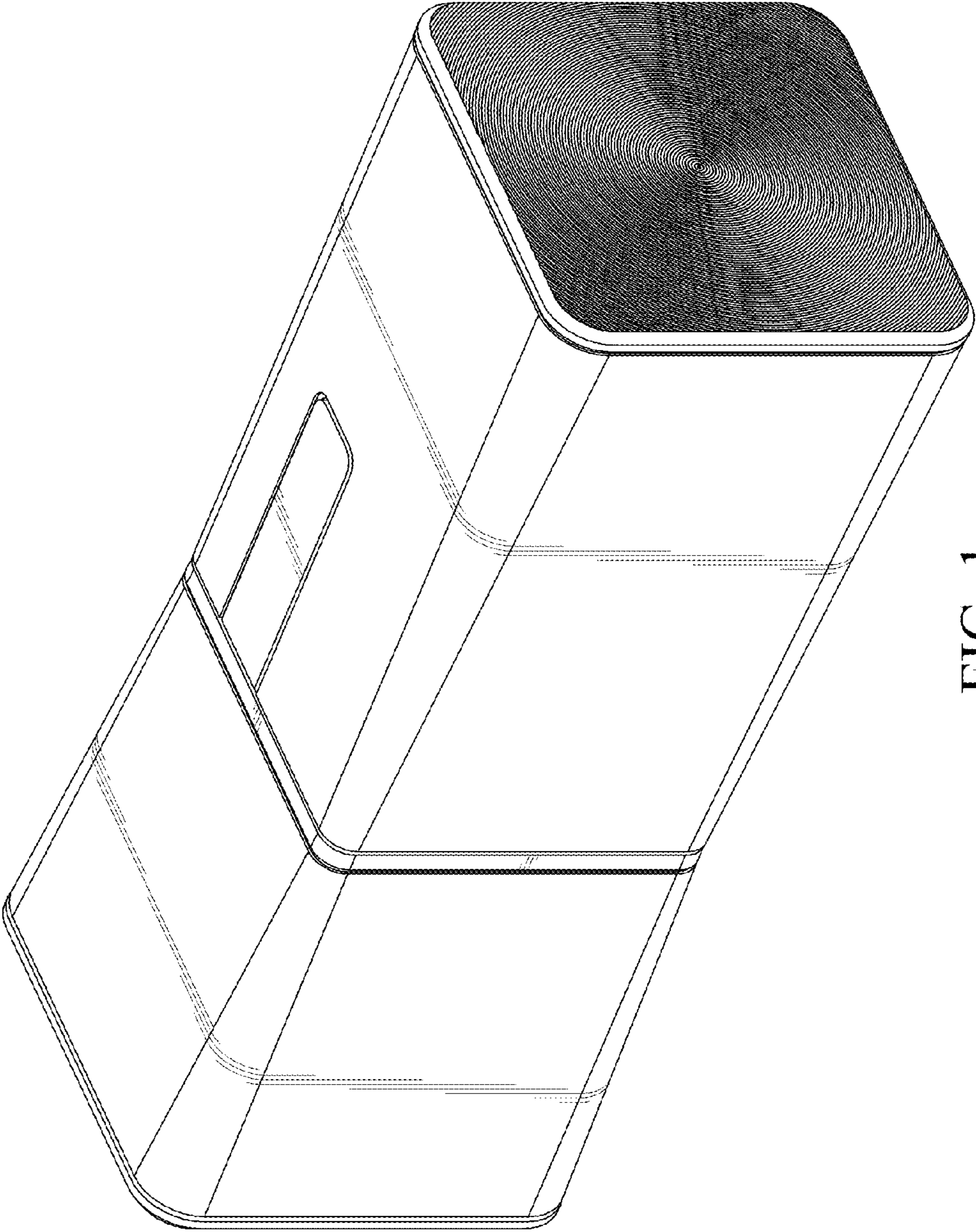


FIG. 1

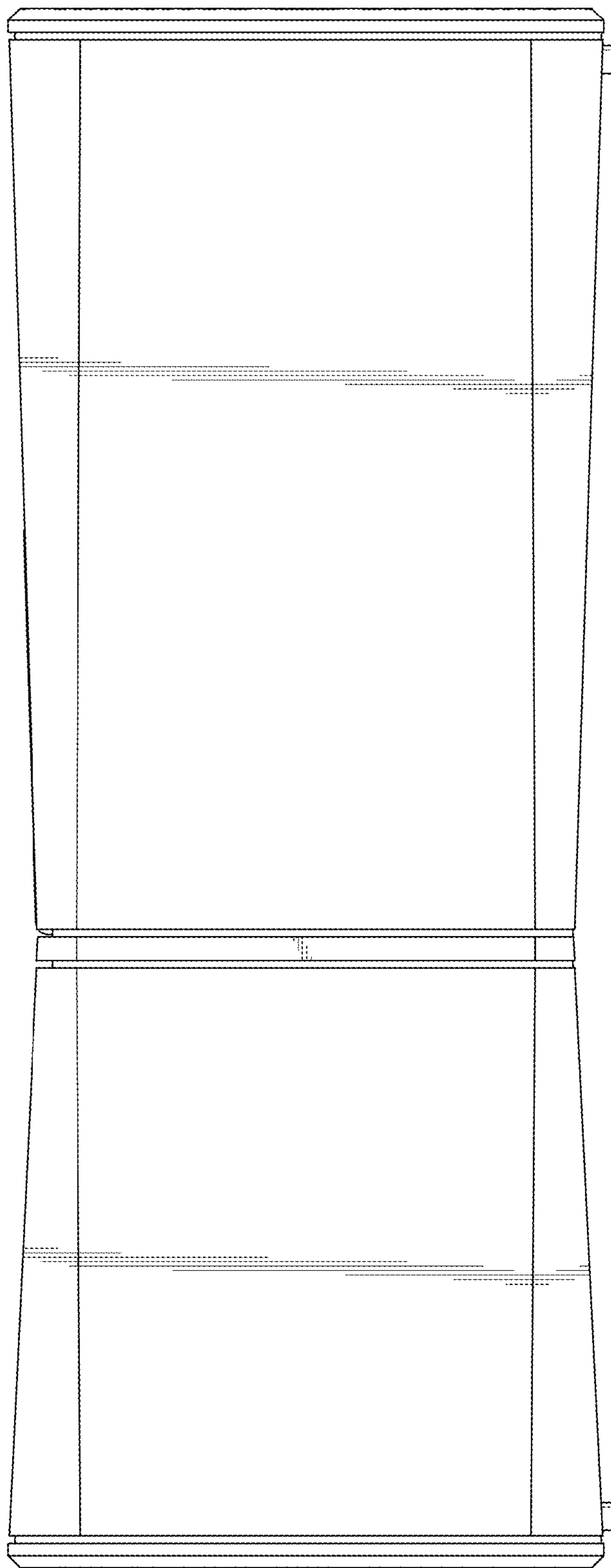


FIG. 2

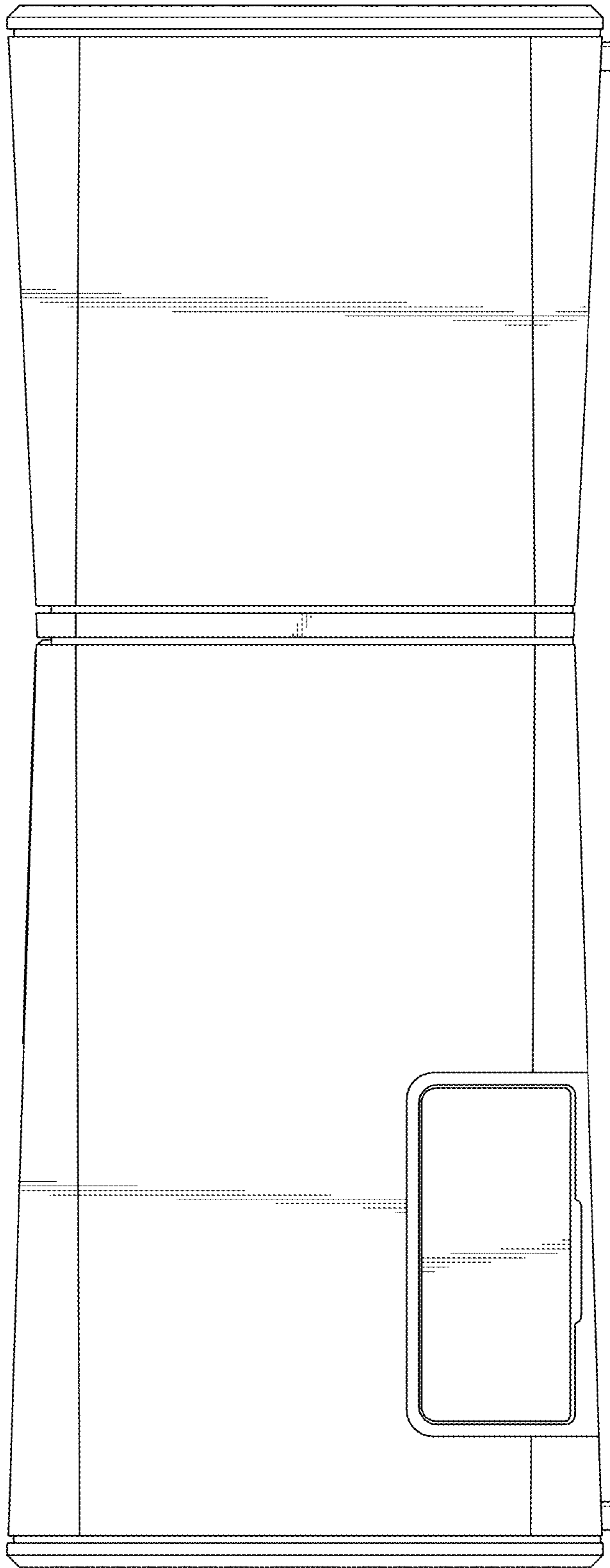


FIG. 3

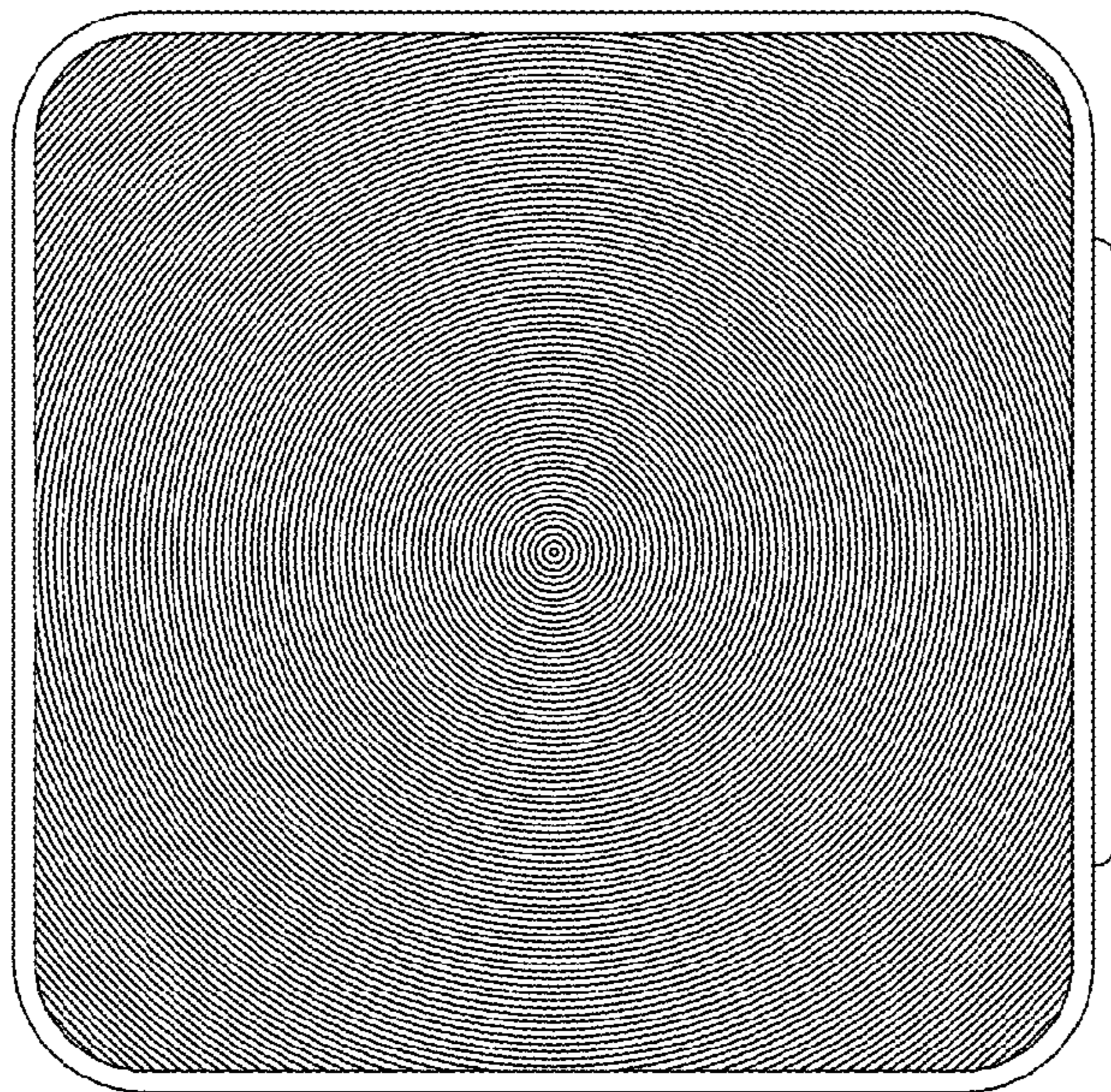


FIG. 5

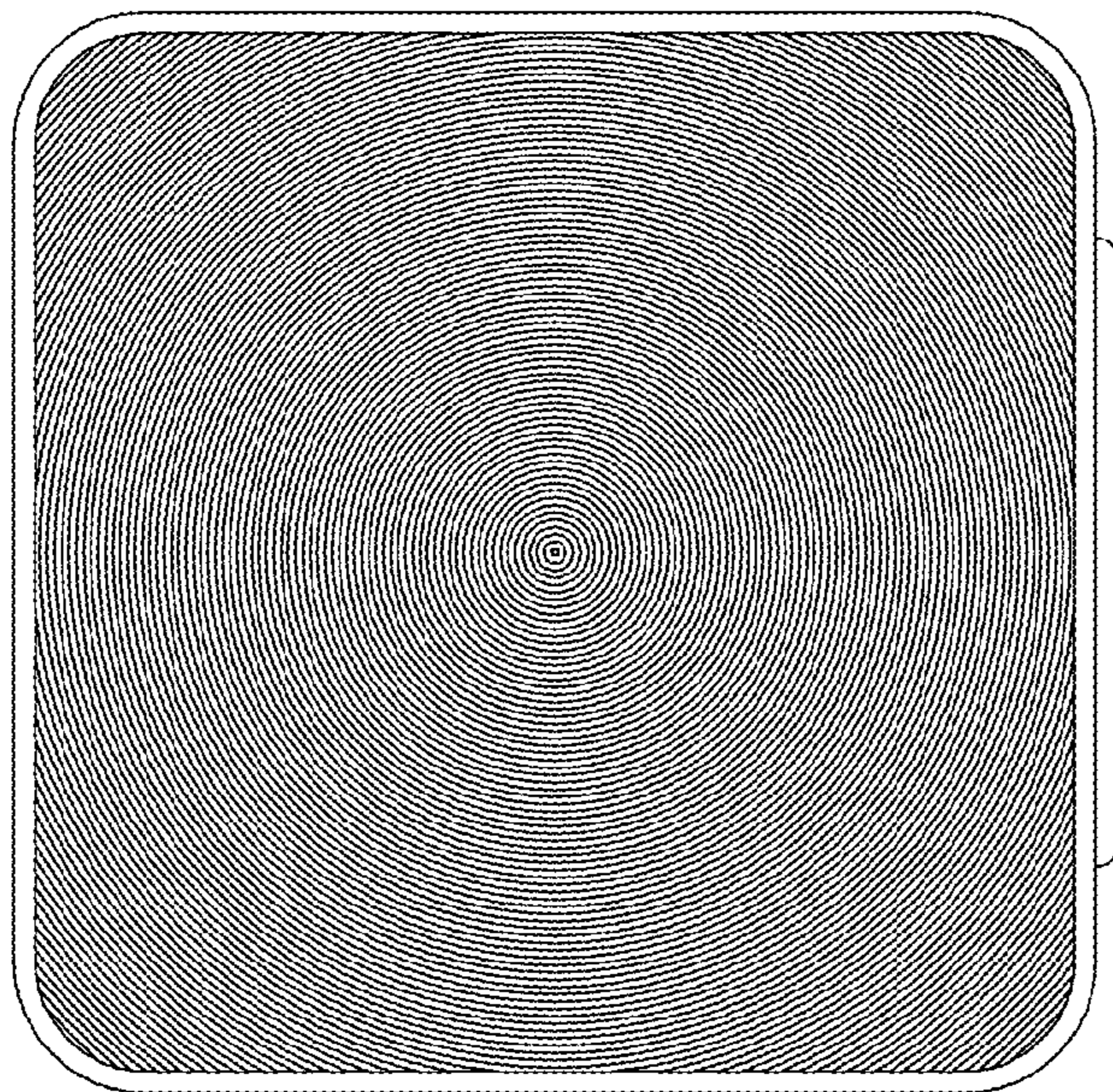


FIG. 4

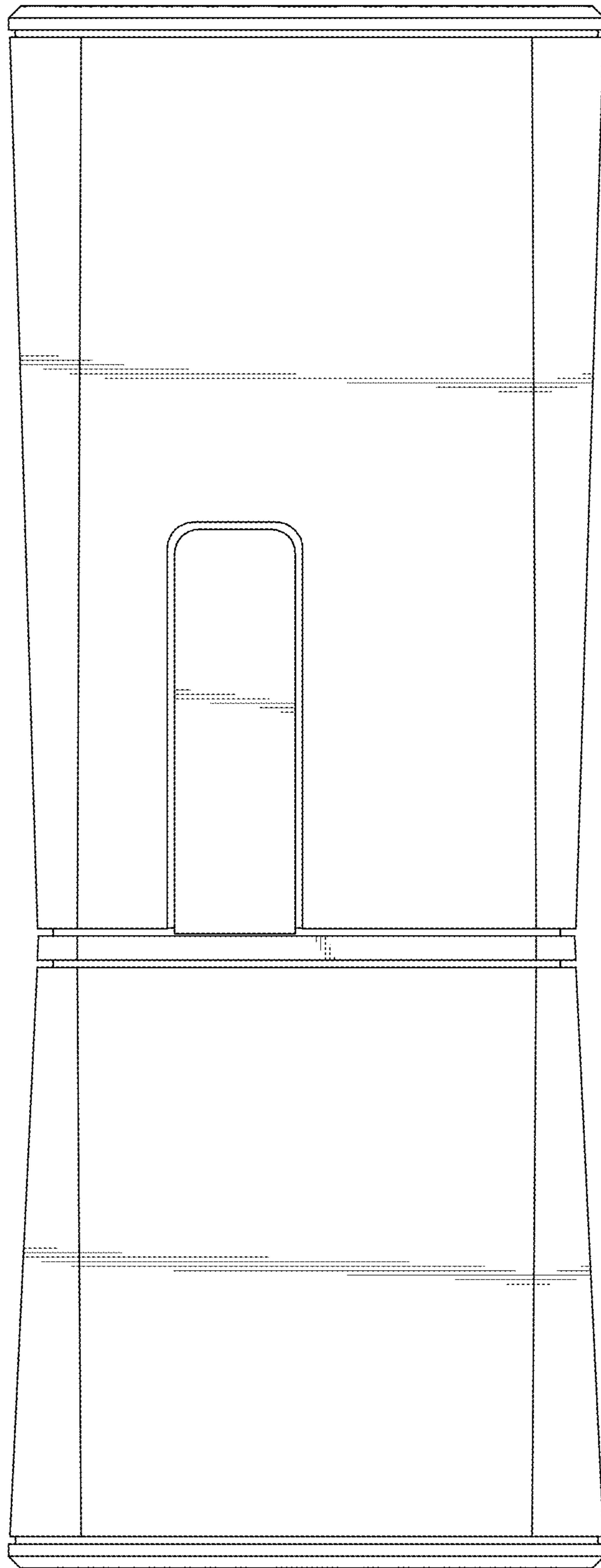


FIG. 6

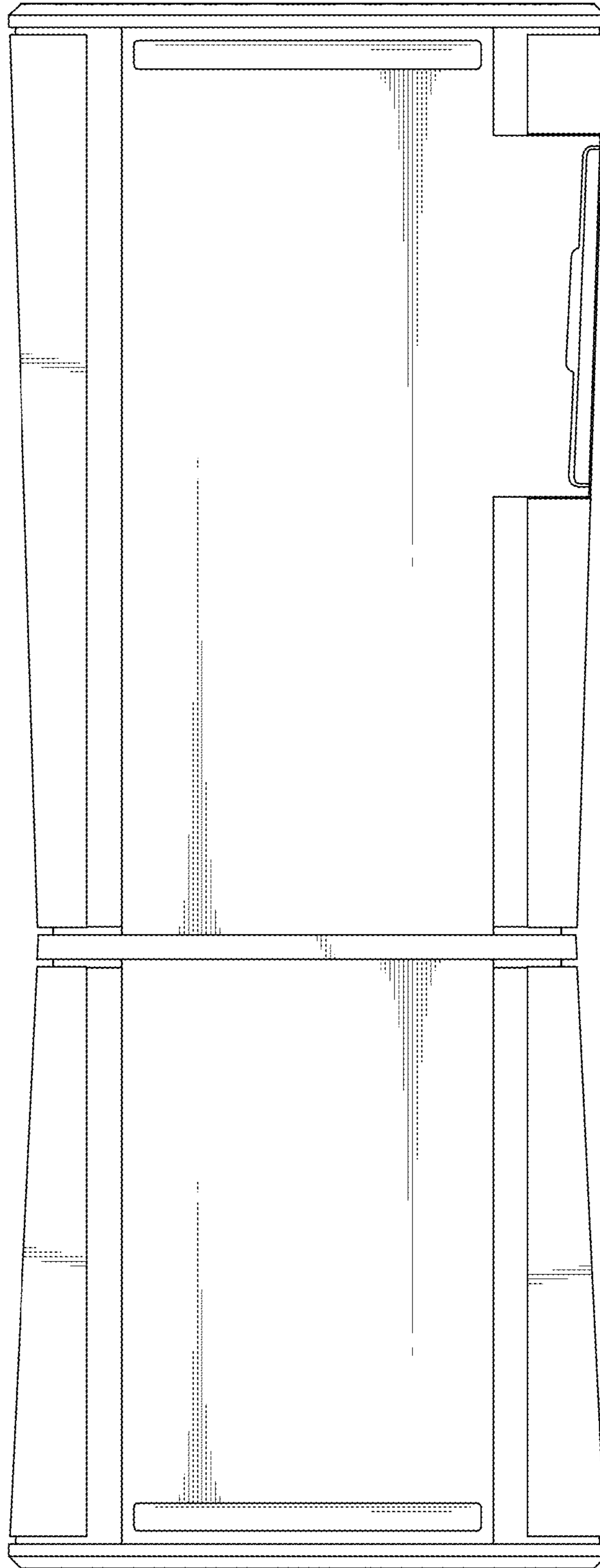


FIG. 7