



US00D731460S

(12) **United States Design Patent**  
**Miyoshi et al.**

(10) **Patent No.:** **US D731,460 S**  
(45) **Date of Patent:** **\*\* Jun. 9, 2015**

(54) **SPEAKER**

(71) Applicant: **FUJIFILM CORPORATION**,  
Minato-ku, Tokyo (JP)  
(72) Inventors: **Tetsu Miyoshi**, Minato-ku (JP); **Samito Nakamura**, Minato-ku (JP)

(73) Assignee: **FUJIFILM Corporation**, Tokyo (JP)

(\*\*) Term: **14 Years**

(21) Appl. No.: **29/460,503**

(22) Filed: **Jul. 11, 2013**

(30) **Foreign Application Priority Data**

Jan. 29, 2013 (JP) ..... 2013-001673

(51) **LOC (10) Cl.** ..... **14-03**

(52) **U.S. Cl.**  
USPC ..... **D14/207**; D14/204

(58) **Field of Classification Search**  
USPC ..... D14/167, 168, 170-172, 188, 194-196,  
D14/204, 207, 209.1, 210-216, 219, 221,  
D14/222, 224, 496; 181/143, 144, 147, 148,  
181/150, 153, 157, 198, 199; 381/300-303,  
381/306, 332, 333, 336, 345, 361-364,  
381/386-388; 369/6-12; D10/52, 53,  
D10/55-57; D16/237, 246-250; 367/178,  
367/180; 396/207-210  
CPC .... B60R 11/0217; G06F 1/1688; H04M 1/03;  
H04M 1/035; H04R 1/02; H04R 1/06; H04R  
1/021; H04R 1/025; H04R 1/026; H04R  
1/028; H04R 1/105; H04R 1/323; H04R  
1/403; H04R 1/2803; H04R 1/2834; H04R  
5/02; H04R 7/20; H04R 9/06; H04R 9/025;  
H04R 2201/021; H04R 2400/00; H04R  
2400/07; H04R 2499/11; H04R 2499/13;  
H04R 2499/15; H04S 3/00; H04S 7/30;  
G01V 1/16; G01V 1/18; G01V 1/20; G01V  
1/38; G01V 1/181; G01V 1/201; G01V 9/22;  
G01V 9/122; G01V 15/04

See application file for complete search history.

(56) **References Cited**

U.S. PATENT DOCUMENTS

D183,357 S \* 8/1958 Lindenberg ..... D14/211  
D188,326 S \* 7/1960 Sharp ..... D14/214

(Continued)

FOREIGN PATENT DOCUMENTS

CA 2396260 \* 7/2001 ..... H04R 17/00

*Primary Examiner* — Keli L Hill

(74) *Attorney, Agent, or Firm* — Sughrue Mion, PLLC

(57) **CLAIM**

The ornamental design for a speaker, as shown and described.

**DESCRIPTION**

FIG. 1 is a top, front and side perspective view of a speaker showing a first embodiment of my new design, the speaker having an electroacoustic converter film capable of being drawn out of a housing tube;

FIG. 2 is a front elevational view thereof;

FIG. 3 is a rear elevational view thereof;

FIG. 4 is a top plan view thereof;

FIG. 5 is a bottom plan view thereof;

FIG. 6 is a left side elevational view thereof;

FIG. 7 is a right side elevational view thereof;

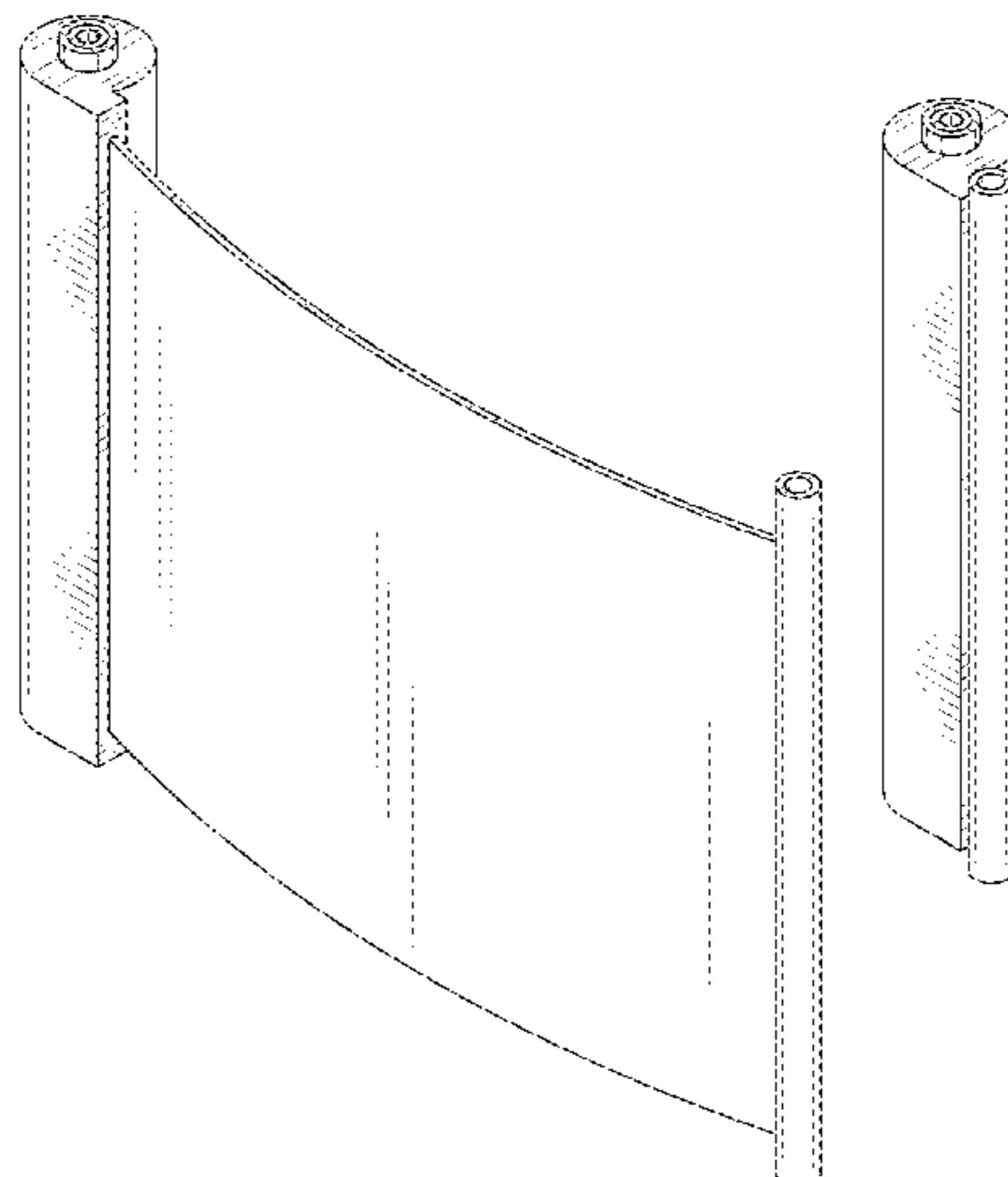
FIG. 8 is a top, front and side perspective view thereof in which the electroacoustic converter film is in a state of being wound;

FIG. 9 is a top, front and side perspective view thereof in a manner of use in which the speaker is attached with legs so as to raise itself up; and,

FIG. 10 is a top, front and side perspective view of a speaker showing a second embodiment of my new design in which an organic EL display is secured on an electroacoustic converter film.

The broken lines shown are included for the purpose of illustrating portions of the speaker that form no part of the claim.

**1 Claim, 8 Drawing Sheets**



(56)

**References Cited**

U.S. PATENT DOCUMENTS

3,490,348 A \* 1/1970 Ariyasu et al. .... 396/512  
4,088,915 A \* 5/1978 Kodama ..... 310/334  
D330,549 S \* 10/1992 Takahashi ..... D14/481  
D330,550 S \* 10/1992 Takahashi ..... D14/481  
D347,836 S \* 6/1994 Kataoka et al. .... D14/481  
6,218,766 B1 \* 4/2001 Warnaka et al. .... 310/322  
D449,590 S \* 10/2001 Lewis ..... D14/188

D472,543 S \* 4/2003 Shintani ..... D14/211  
D516,059 S \* 2/2006 Murphy ..... D14/211  
D516,578 S \* 3/2006 Matsuoka ..... D14/496  
D671,524 S \* 11/2012 Fathollahi ..... D14/211  
D674,777 S \* 1/2013 Tsai ..... D14/209.1  
D681,008 S \* 4/2013 Fathollahi ..... D14/214  
D724,555 S \* 3/2015 Cha et al. .... D14/126  
2005/0053257 A1 \* 3/2005 Johnson et al. .... 381/431  
2011/0163999 A1 \* 7/2011 Lin ..... 345/176

\* cited by examiner

FIG. 1

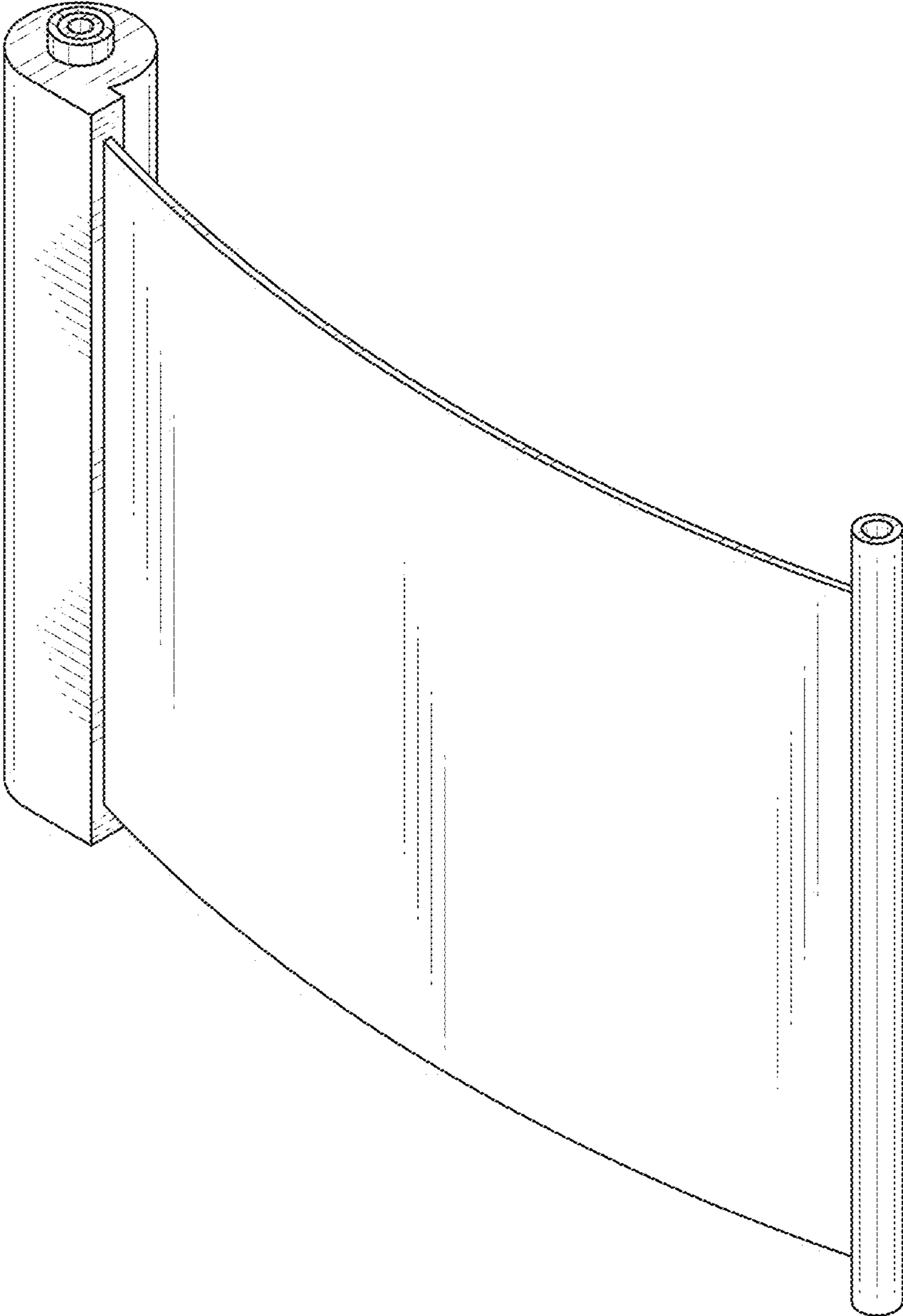


FIG. 2

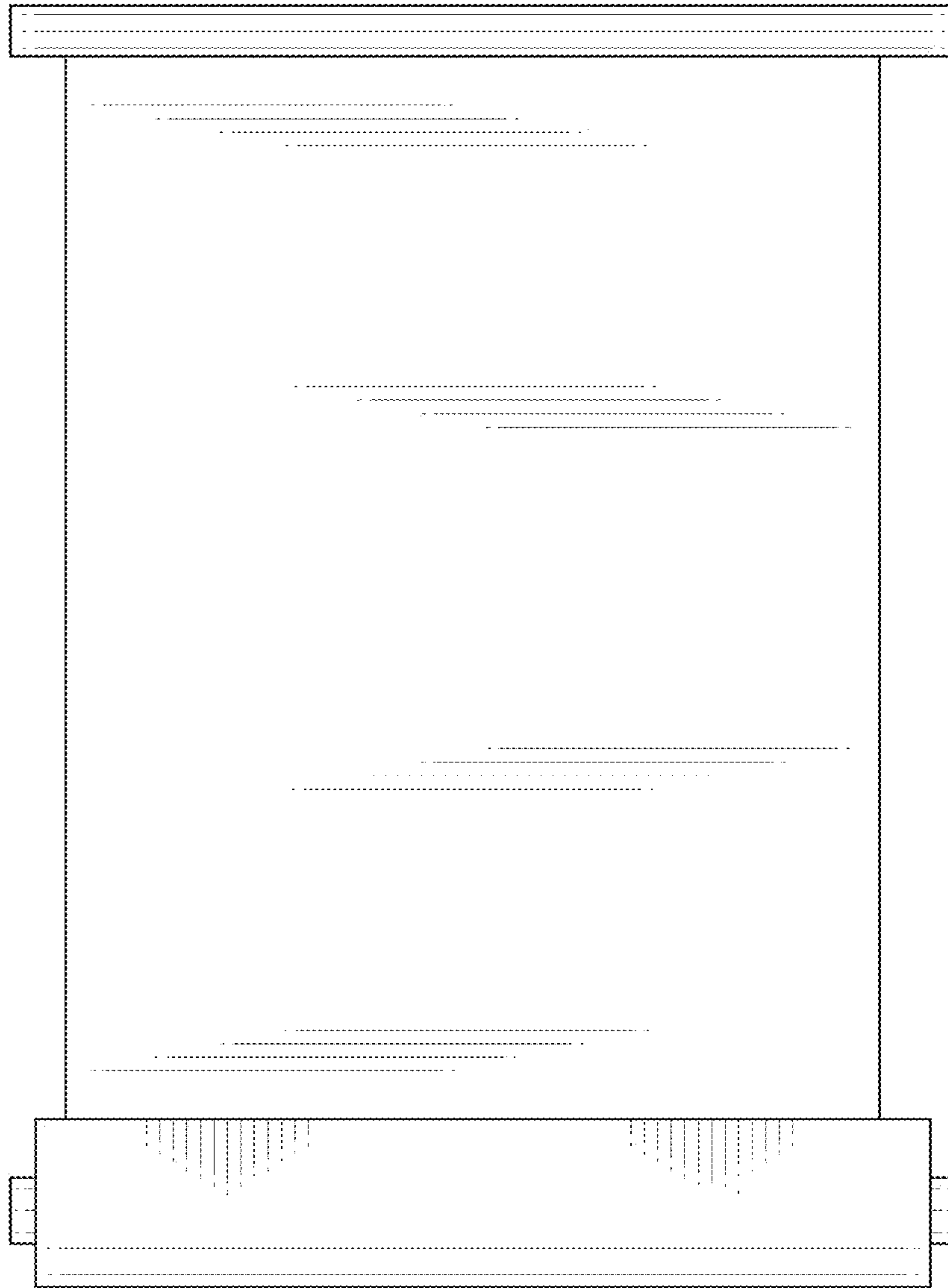


FIG. 3

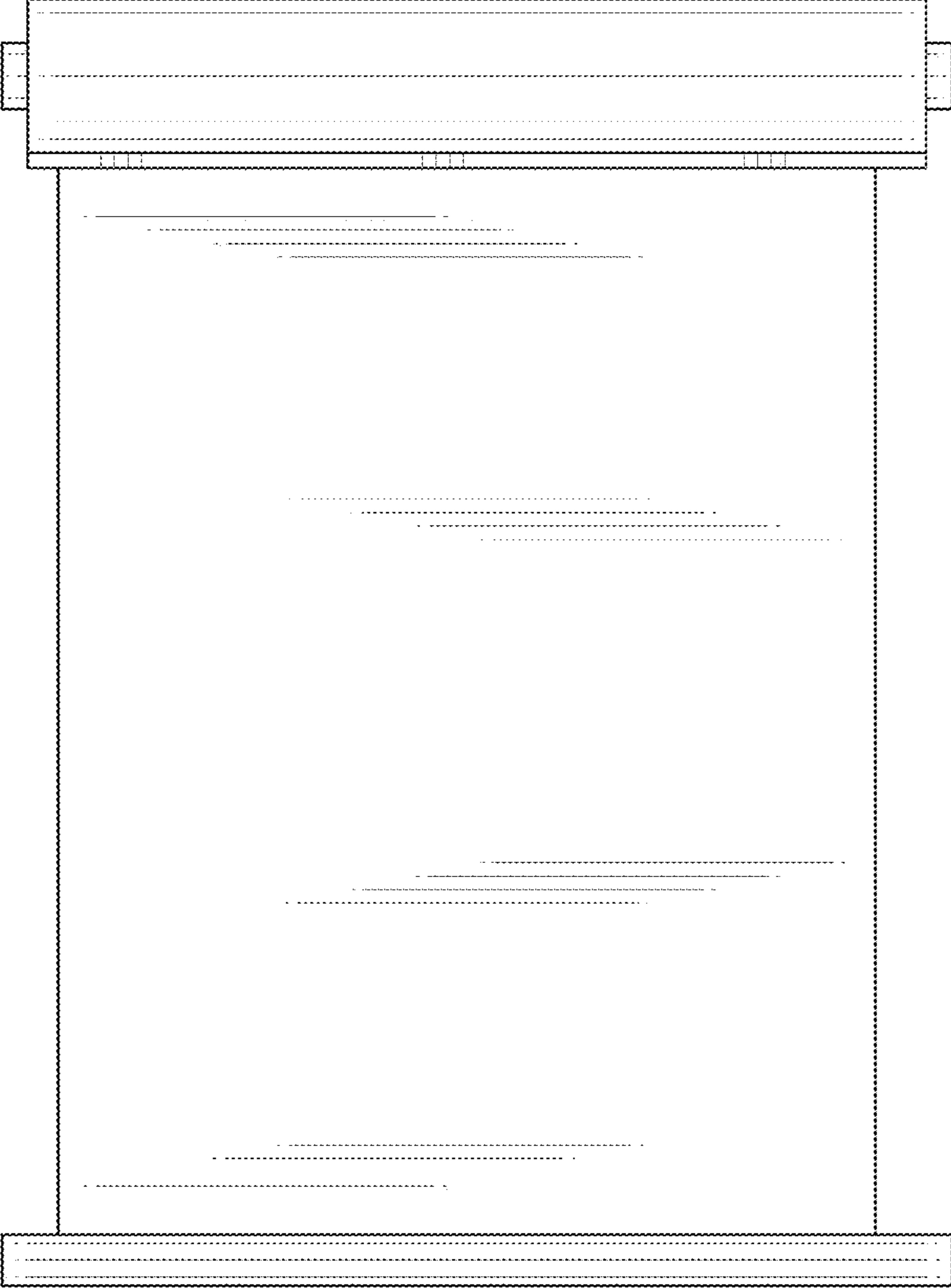


FIG.4

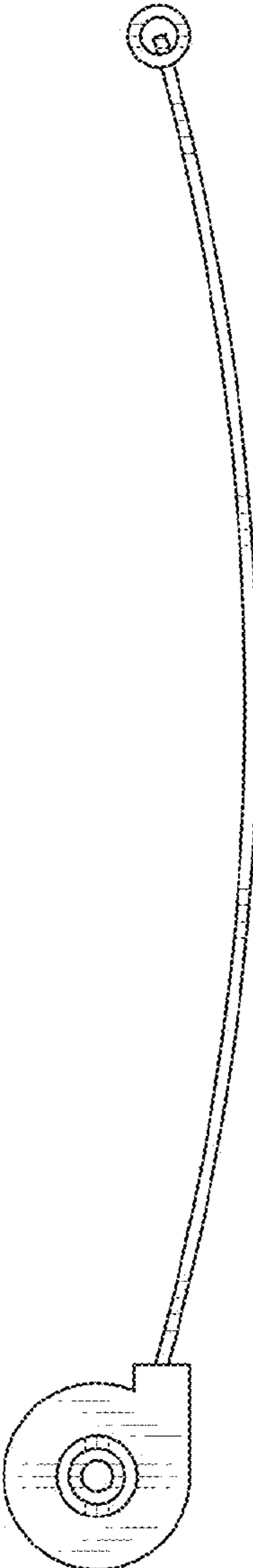


FIG.5

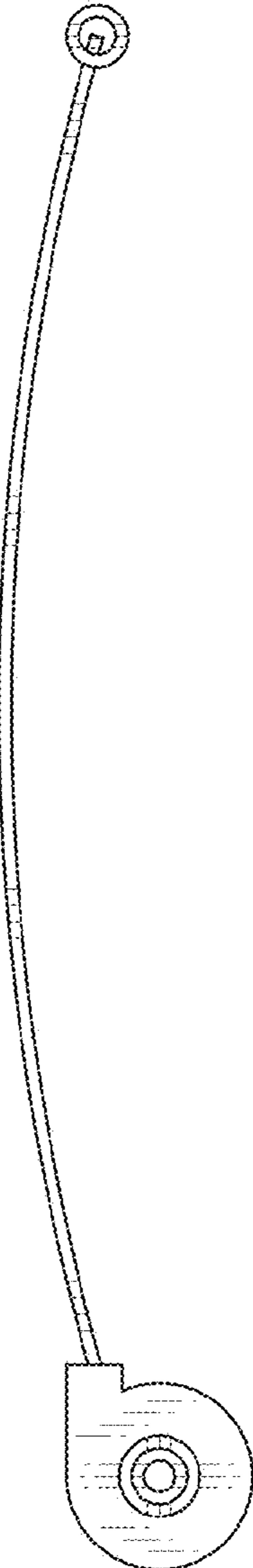


FIG.6

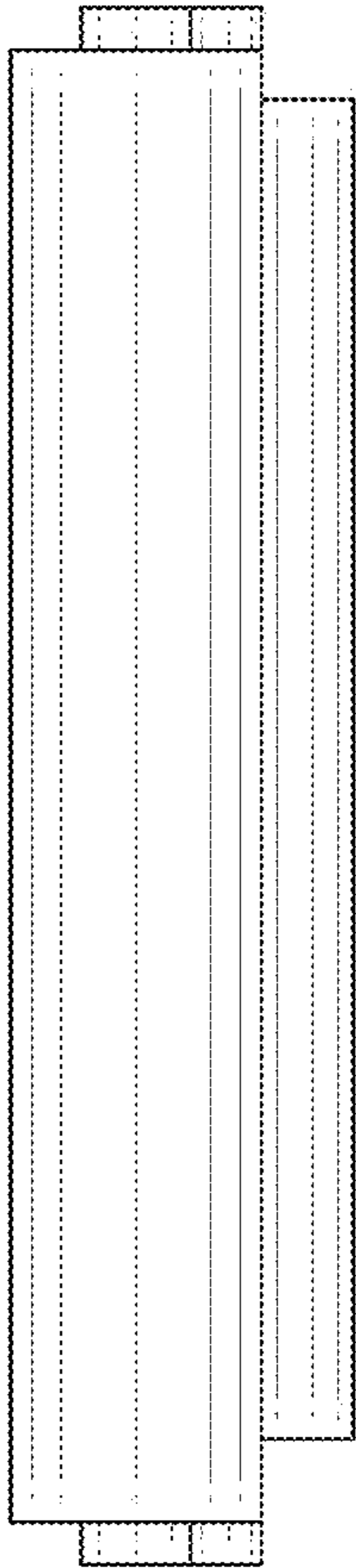


FIG.7

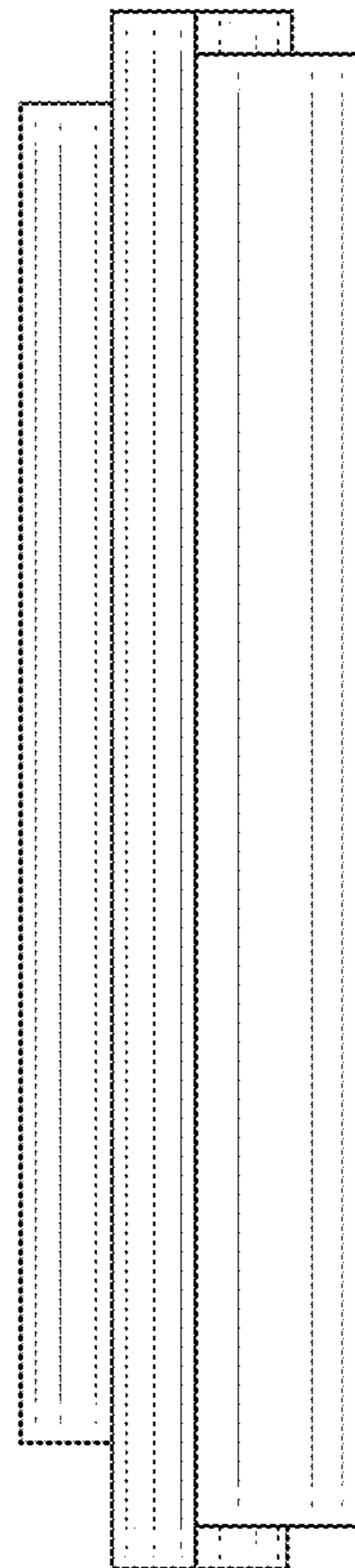




FIG.8

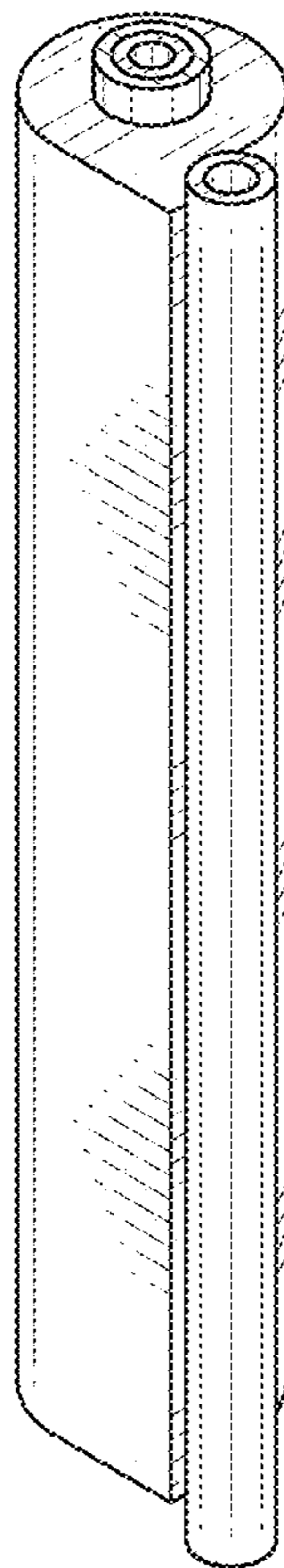




FIG. 9

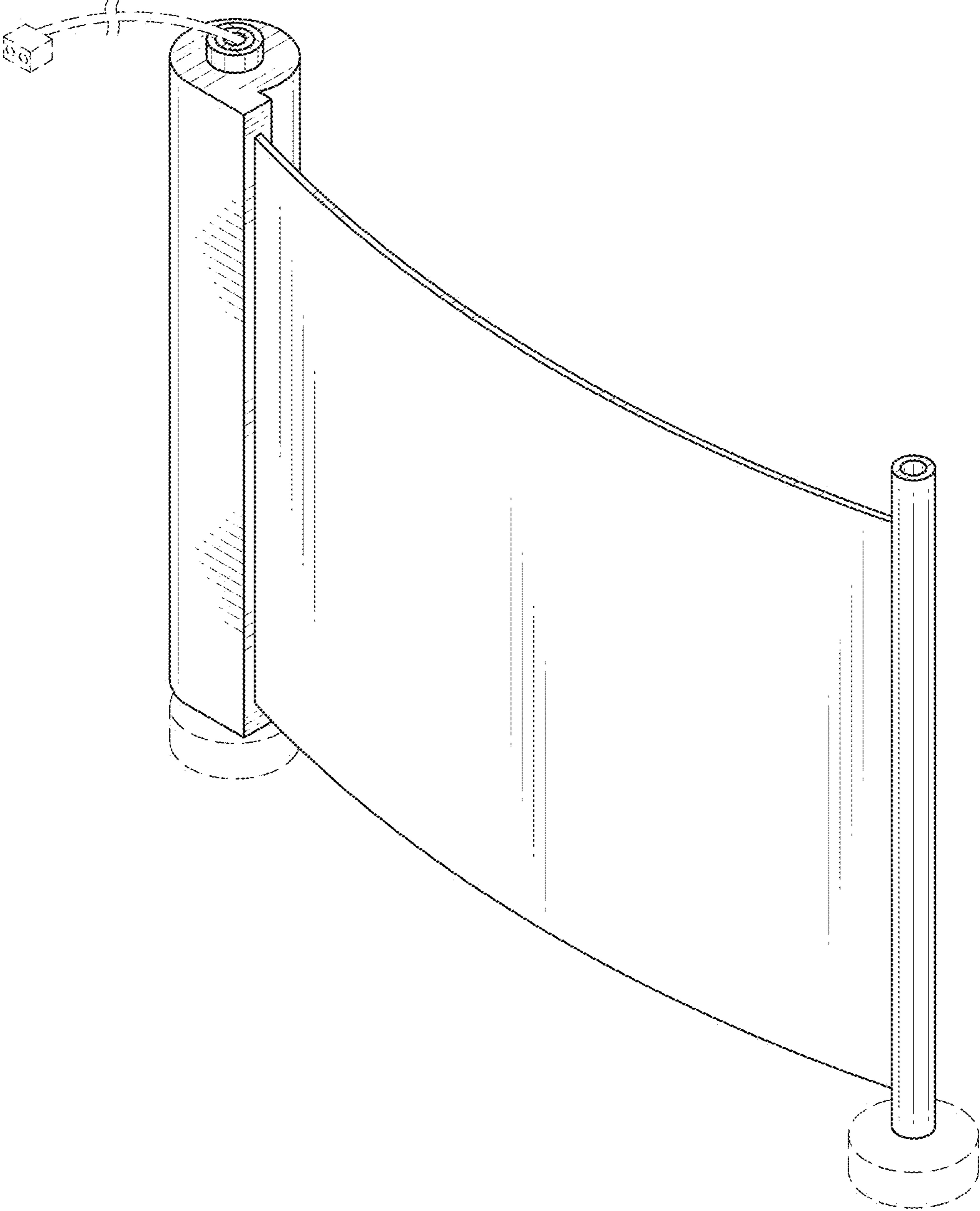


FIG. 10

