



US00D731459S

(12) **United States Design Patent**
Paslawski

(10) **Patent No.:** **US D731,459 S**

(45) **Date of Patent:** **** *Jun. 9, 2015**

(54) **SPEAKER**

(75) Inventor: **Ray N. Paslawski**, Wildwood, MO (US)

(73) Assignee: **Positive Outcomes, Inc.**, Wildwood, MO (US)

(*) Notice: This patent is subject to a terminal disclaimer.

(**) Term: **14 Years**

(21) Appl. No.: **29/427,069**

(22) Filed: **Jul. 13, 2012**

(51) **LOC (10) Cl.** **14-01**

(52) **U.S. Cl.**
USPC **D14/207**

(58) **Field of Classification Search**
USPC D14/204, 207, 210–216, 189; 181/143, 181/144, 147, 148, 150–153, 157, 198, 181/199; 381/330–303, 306, 332, 333, 336, 381/345, 361–364, 386–388; D21/315, D21/328; 455/347; 312/7.1; 439/577
See application file for complete search history.

(56) **References Cited**

U.S. PATENT DOCUMENTS

D133,539 S *	8/1942	Dow	D14/189
2,942,379 A *	6/1960	Oman et al.	446/149
D196,679 S *	10/1963	Schaffer	D14/189
4,775,948 A *	10/1988	Dial et al.	702/149

4,872,854 A *	10/1989	Hesu	439/577
D326,455 S *	5/1992	Kanellos	D14/189
D343,515 S *	1/1994	Monneret	D3/271.1
D420,002 S *	2/2000	Arcos	D14/189
D526,644 S *	8/2006	Breit	D14/216
D557,258 S *	12/2007	Steindl	D14/216
D573,132 S *	7/2008	Yang	D14/207
D606,515 S *	12/2009	Ludlum et al.	D14/209.1
D676,828 S *	2/2013	Clark	D14/207

* cited by examiner

Primary Examiner — Prabhakar Deshmukh

(74) *Attorney, Agent, or Firm* — Polster Lieder Woodruff & Lucchesi, L.C.

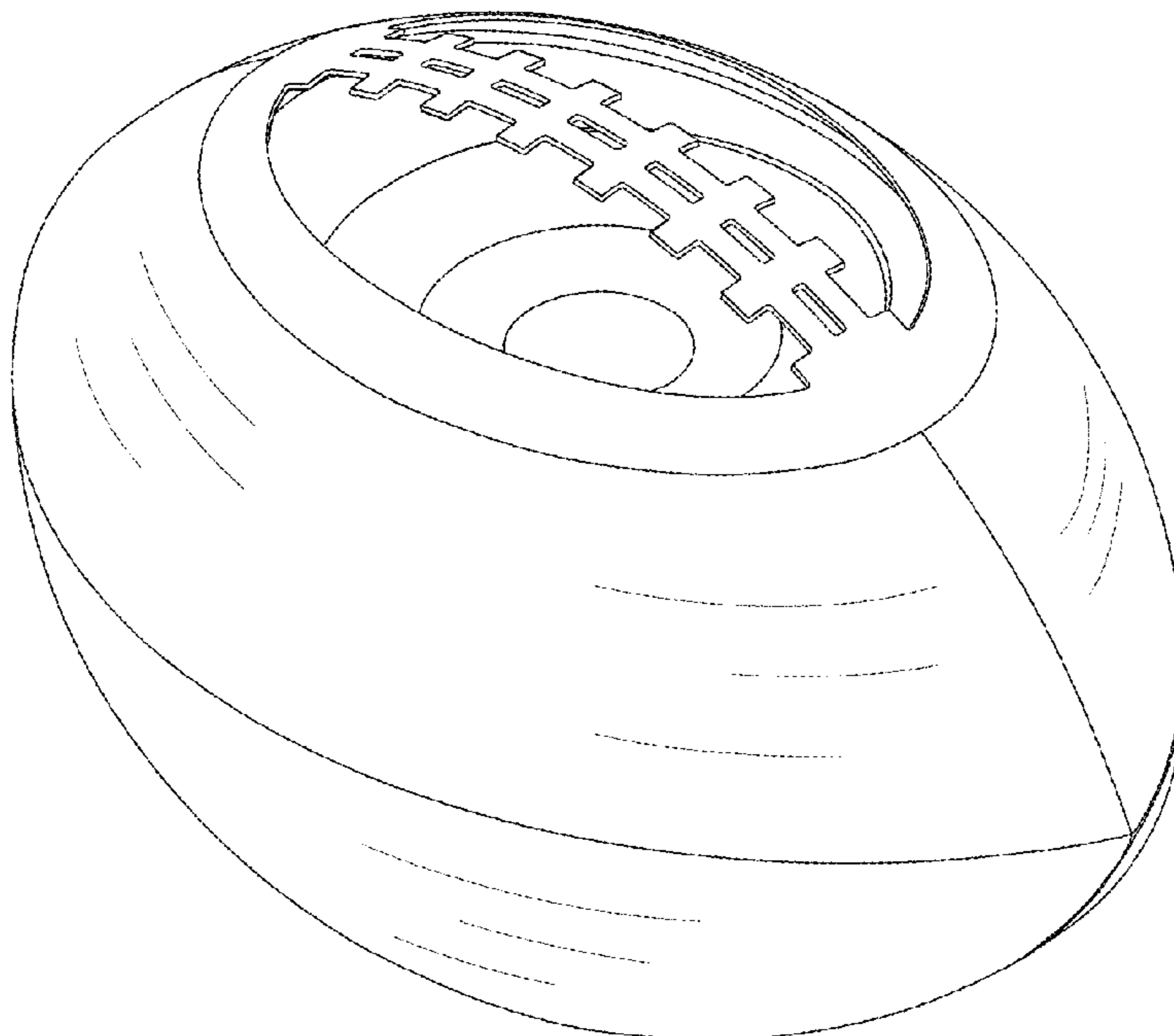
(57) **CLAIM**

The ornamental design for a speaker, as shown and described.

DESCRIPTION

FIG. 1 is a perspective view of a speaker showing my new design;
FIG. 2 is a top plan view thereof;
FIG. 3 is a bottom plan view thereof;
FIG. 4 is a front elevational view thereof;
FIG. 5 is a left side elevational view thereof;
FIG. 6 is a right side elevational view thereof;
FIG. 7 is a perspective view thereof, shown in an expanded position;
FIG. 8 is a front elevational view of FIG. 7; and,
FIG. 9 is a side elevational view of FIG. 7.
The broken lines are for illustrative purpose only and form no part of the claimed design.

1 Claim, 9 Drawing Sheets



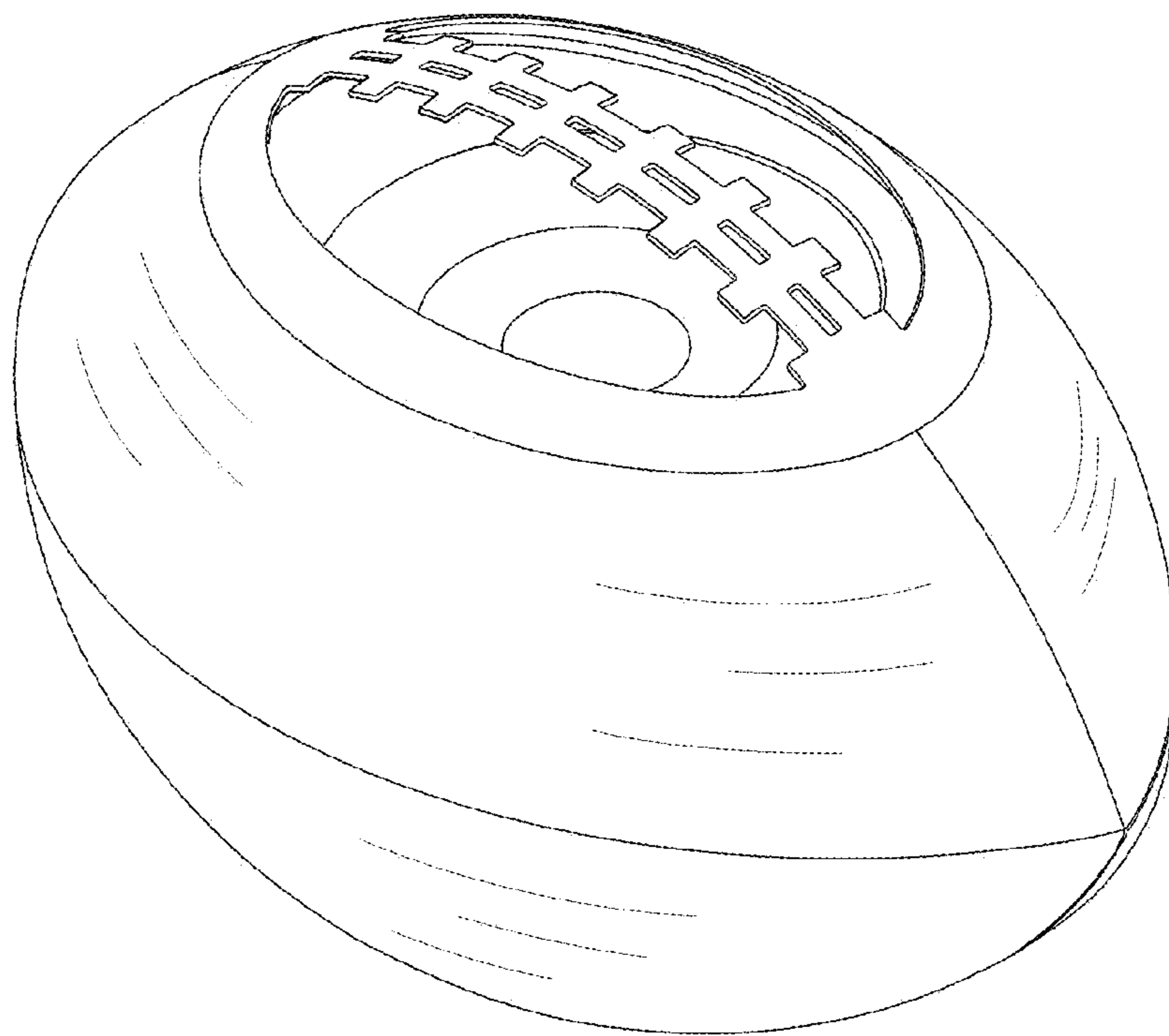


Fig. 1

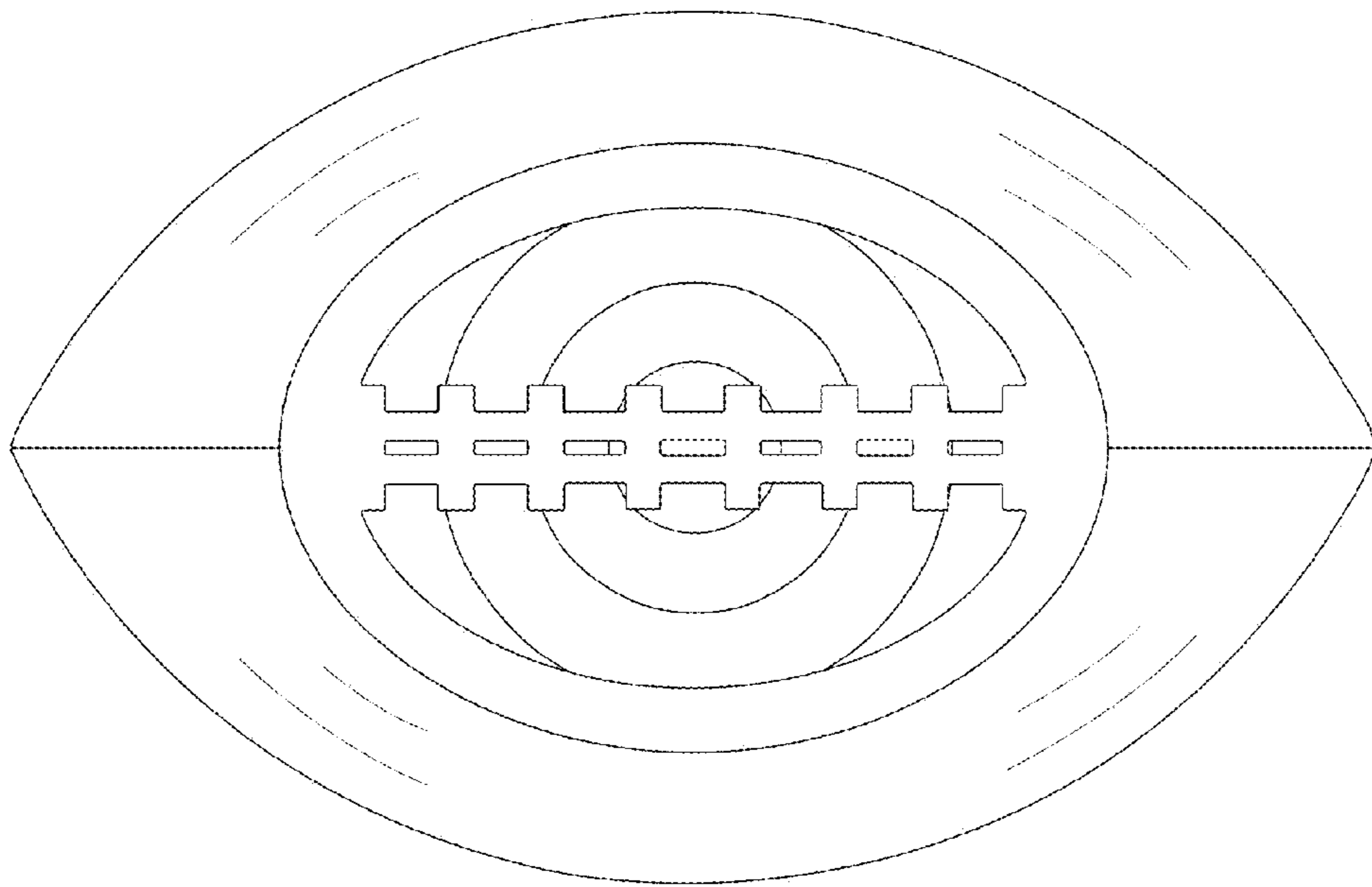


Fig. 2

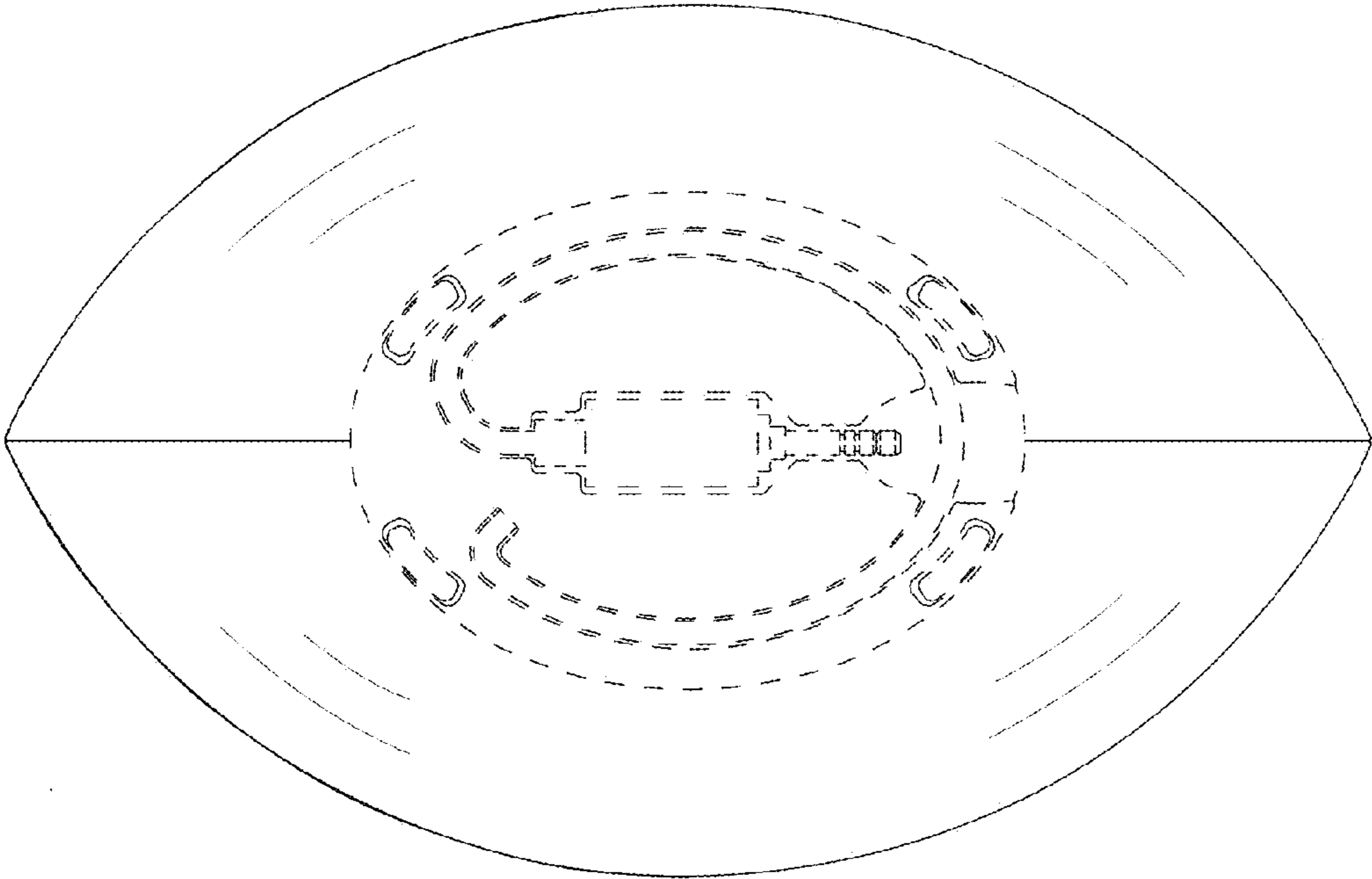


Fig. 3

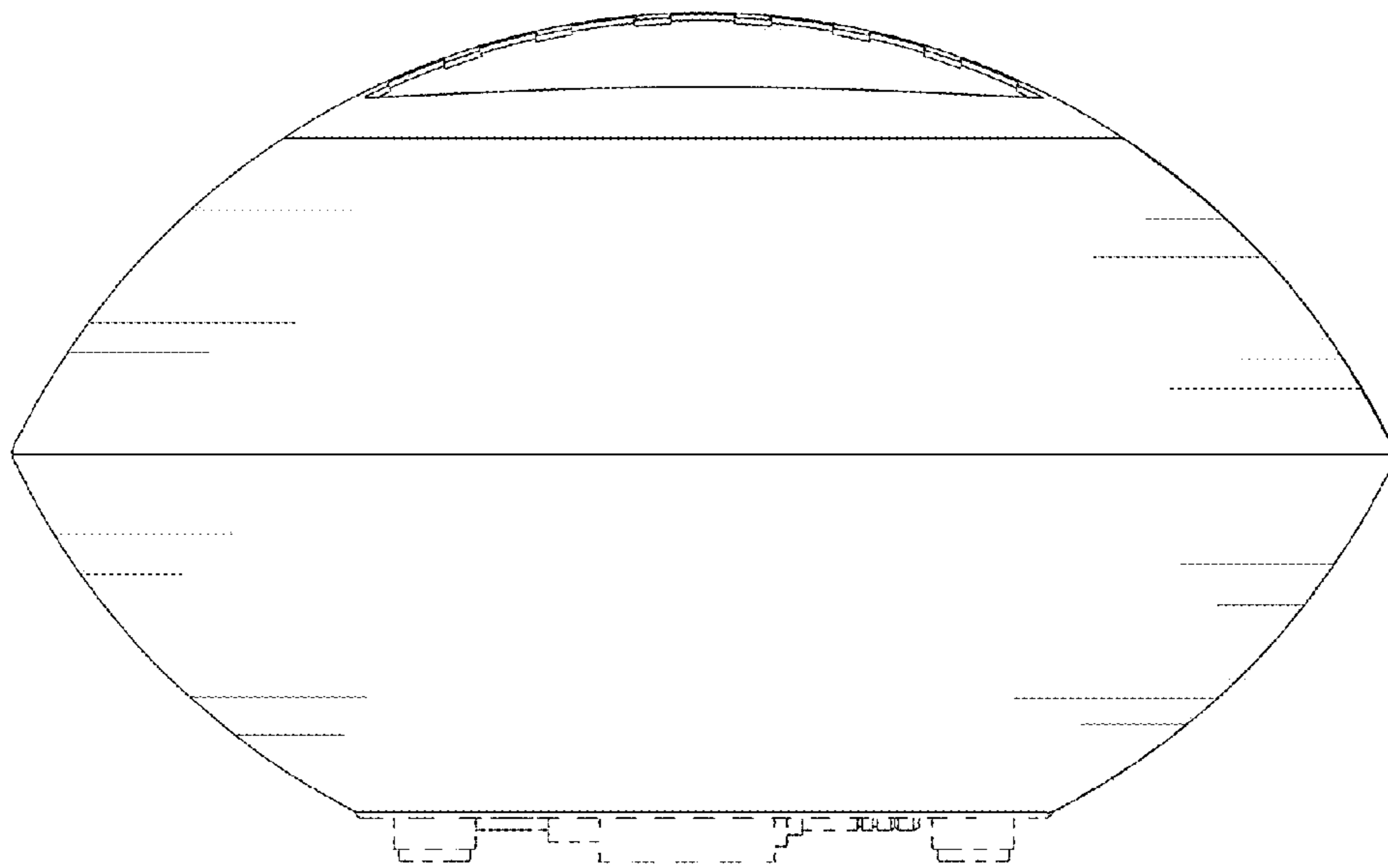


Fig. 4

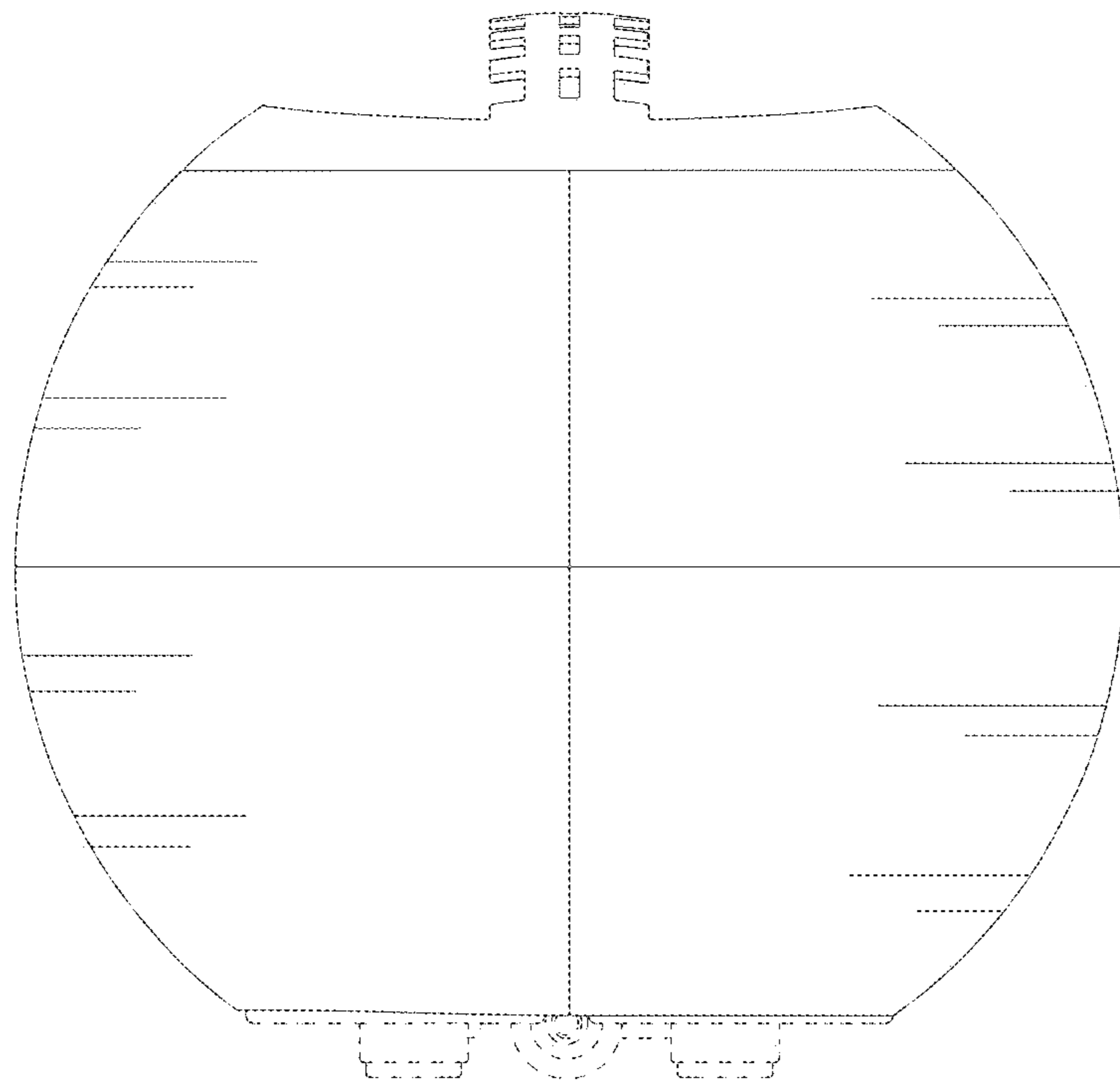


Fig. 5

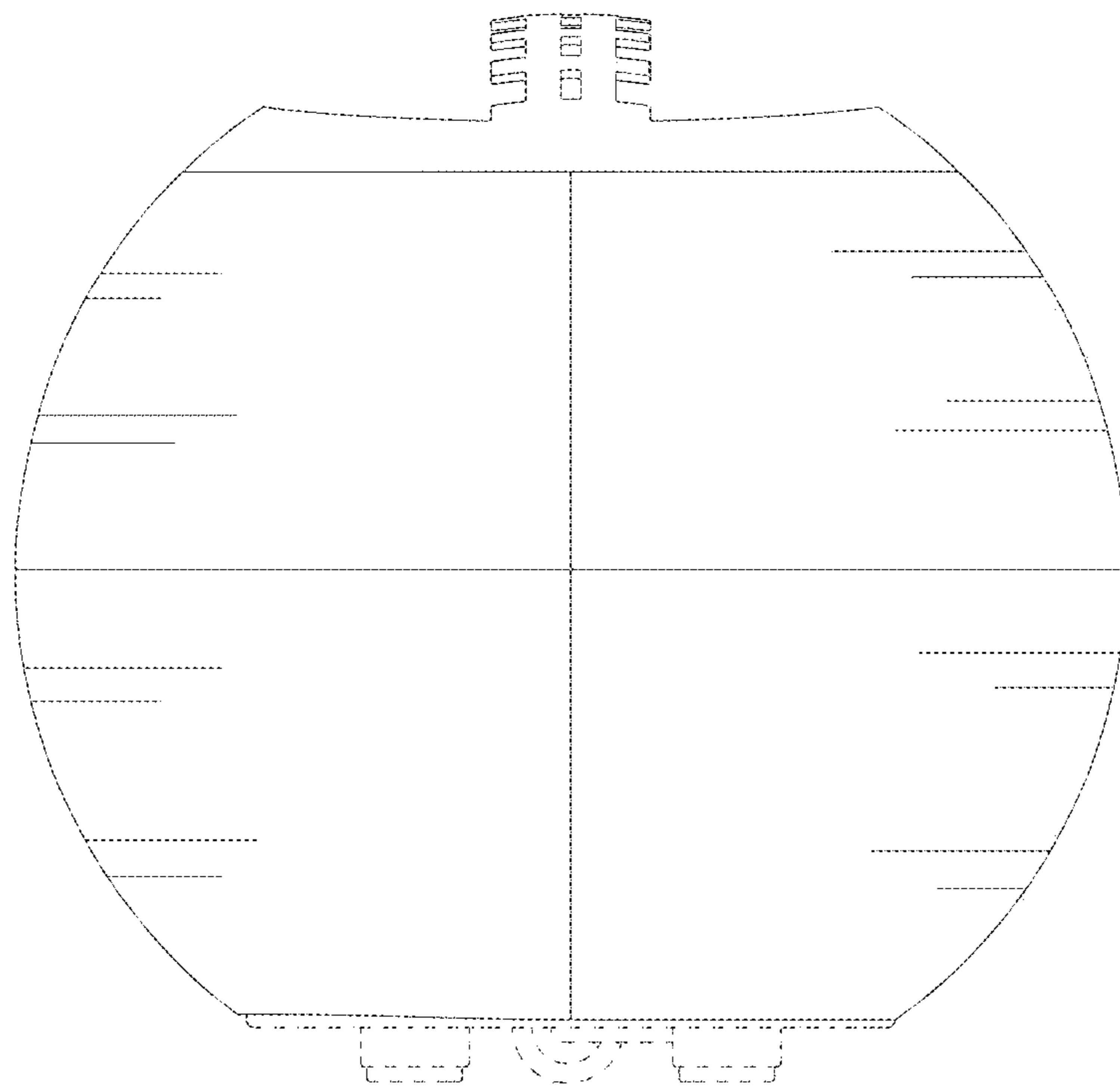


Fig. 6

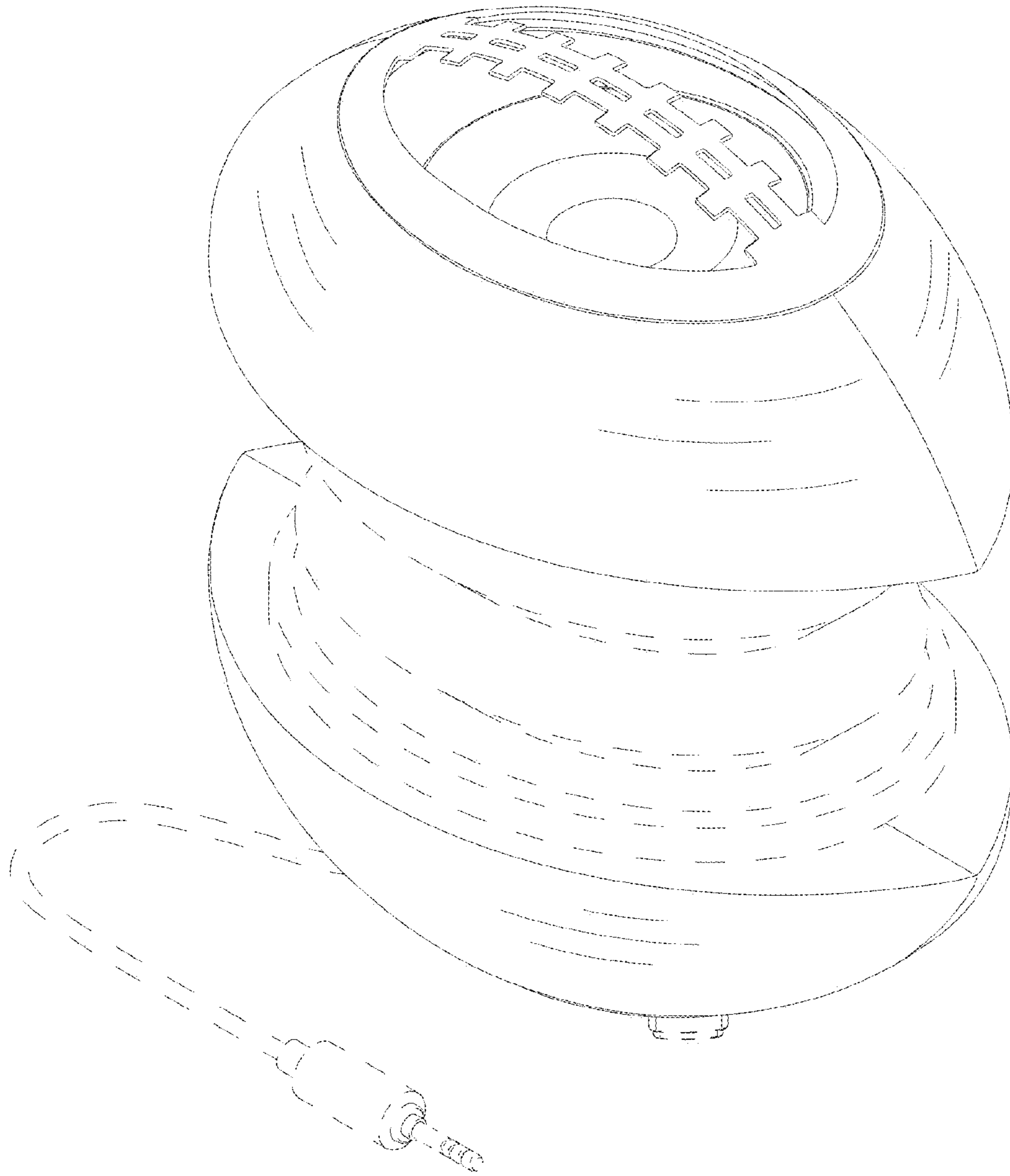


Fig. 7

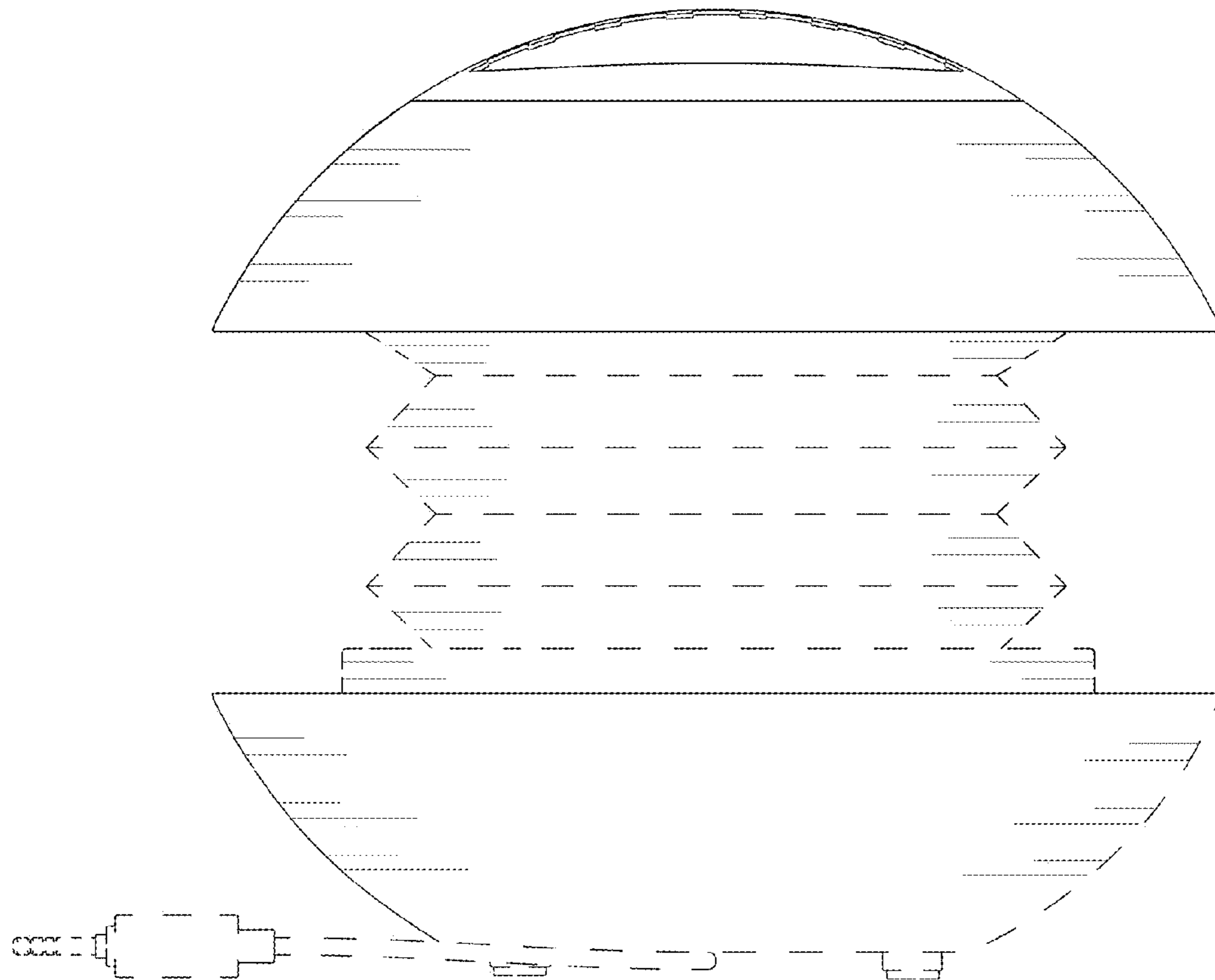


Fig. 8

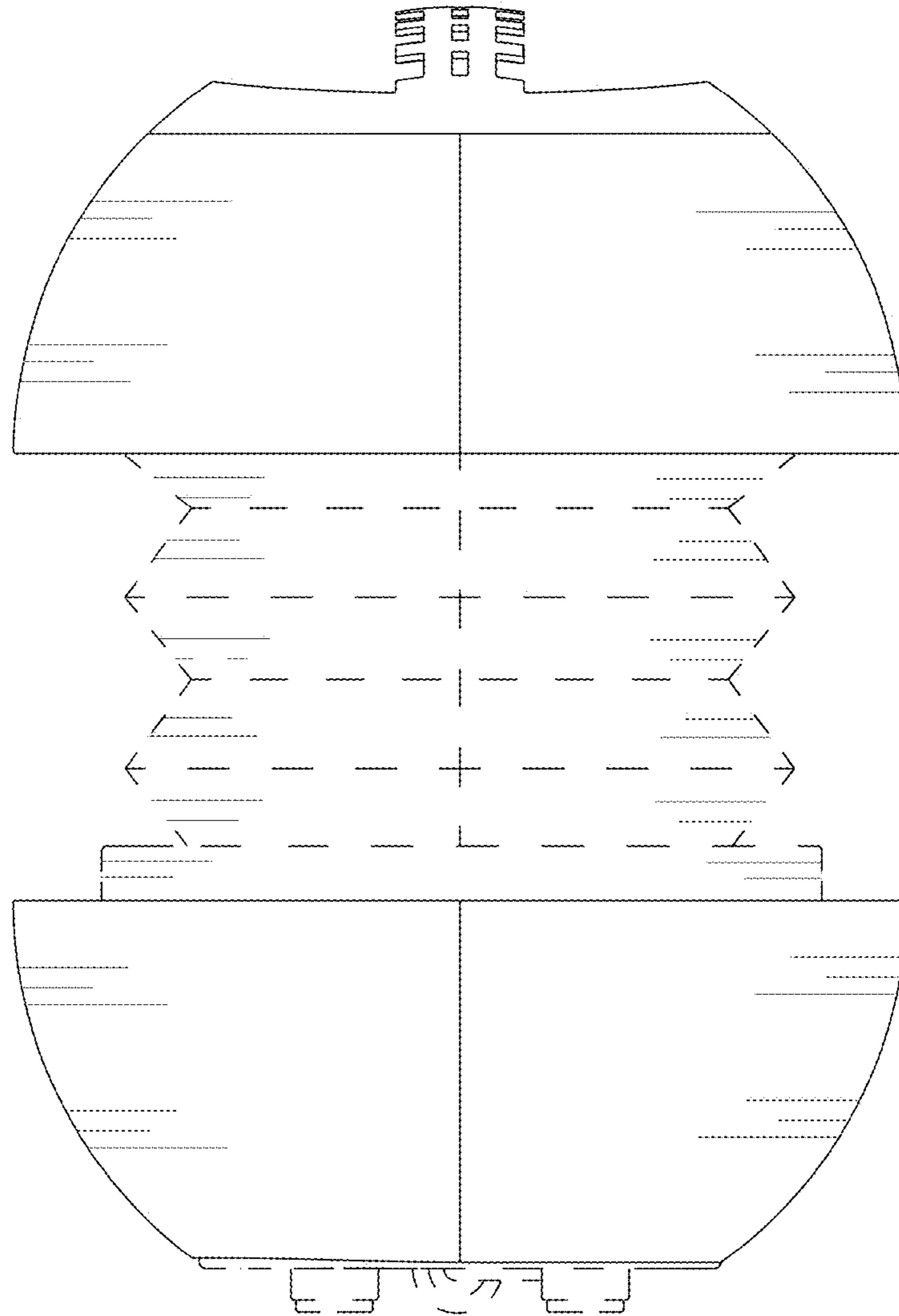


Fig. 9