



US00D731457S

(12) **United States Design Patent**
Brunner et al.

(10) **Patent No.:** **US D731,457 S**
(45) **Date of Patent:** **** Jun. 9, 2015**

- (54) **AUDIO LISTENING SYSTEM**
- (71) Applicant: **Apple Inc.**, Cupertino, CA (US)
- (72) Inventors: **Robert Brunner**, San Francisco, CA (US); **Rhys Bonahoom**, Burlingame, CA (US); **Gregoire Vandebussche**, San Francisco, CA (US); **Nivay Anandarajah**, San Francisco, CA (US); **Christopher Fruhauf**, San Anselmo, CA (US)
- (73) Assignee: **Apple Inc.**, Cupertino, CA (US)
- (**) Term: **14 Years**
- (21) Appl. No.: **29/489,127**
- (22) Filed: **Apr. 25, 2014**
- (51) **LOC (10) Cl.** **14-01**
- (52) **U.S. Cl.**
USPC **D14/205**
- (58) **Field of Classification Search**
USPC D14/205, 206; 181/129, 130, 135; 379/430, 431; 381/380, 381; 455/90.1, 455/575.1; D29/112; 2/209
CPC H04R 1/1066
See application file for complete search history.

- (56) **References Cited**
U.S. PATENT DOCUMENTS
- | | | | | | | |
|-----------|----|---|---------|------------------|-------|---------|
| D328,074 | S | * | 7/1992 | Yamazaki et al. | | D14/205 |
| D328,461 | S | * | 8/1992 | Daido et al. | | D14/205 |
| D504,414 | S | * | 4/2005 | Yoshida | | D14/192 |
| 6,980,165 | B2 | * | 12/2005 | Yuasa et al. | | 343/718 |
| 7,072,483 | B2 | * | 7/2006 | Lenhard-Backhaus | | 381/383 |
| D534,155 | S | * | 12/2006 | Obata | | D14/205 |
| D540,301 | S | * | 4/2007 | Obata | | D14/205 |
| D552,077 | S | * | 10/2007 | Brunner et al. | | D14/205 |
| D625,705 | S | * | 10/2010 | Ohori et al. | | D14/205 |
| D628,554 | S | * | 12/2010 | Tedja et al. | | D14/205 |
| D632,668 | S | * | 2/2011 | Brunner et al. | | D14/205 |

- | | | | | | | |
|-----------|----|---|---------|------------------|-------|---------|
| D635,959 | S | * | 4/2011 | Hutchieson | | D14/205 |
| D652,406 | S | * | 1/2012 | Lee et al. | | D14/205 |
| 8,098,872 | B2 | * | 1/2012 | Chang | | 381/371 |
| D657,344 | S | * | 4/2012 | Brunner et al. | | D14/205 |
| D657,776 | S | * | 4/2012 | Lee et al. | | D14/205 |
| D660,823 | S | * | 5/2012 | Hardi et al. | | D14/205 |
| D660,824 | S | * | 5/2012 | Hardi et al. | | D14/205 |
| D662,080 | S | * | 6/2012 | Carr et al. | | D14/205 |
| D663,716 | S | * | 7/2012 | Hardi et al. | | D14/205 |
| D664,117 | S | * | 7/2012 | Tappeiner et al. | | D14/205 |
| D671,914 | S | * | 12/2012 | Lee et al. | | D14/205 |
| D673,136 | S | * | 12/2012 | Kelly et al. | | D14/205 |
| D673,520 | S | * | 1/2013 | Tan | | D14/205 |
| D675,595 | S | * | 2/2013 | Cho et al. | | D14/205 |
| D677,648 | S | * | 3/2013 | Lee et al. | | D14/206 |
| D678,860 | S | * | 3/2013 | Hagelin | | D14/205 |
| D683,329 | S | * | 5/2013 | Hagelin | | D14/205 |

(Continued)

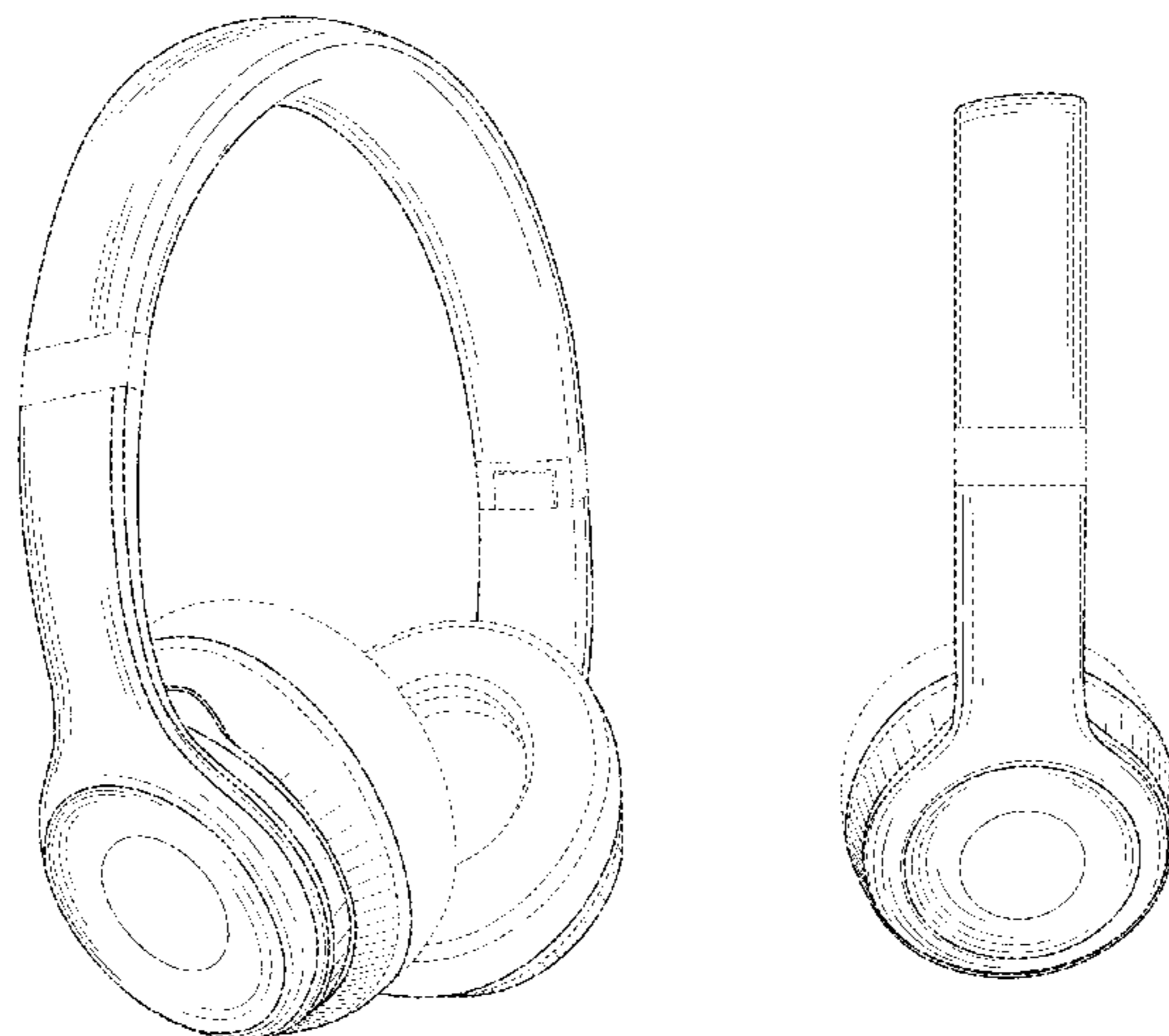
Primary Examiner — Paula Greene
(74) *Attorney, Agent, or Firm* — Sterne, Kessler, Goldstein & Fox P.L.L.C.

(57) **CLAIM**
The ornamental design for an audio listening system, as shown and described.

DESCRIPTION

FIG. 1 is a front perspective view of an audio listening system in accordance with the present invention;
FIG. 2 is a rear view of the embodiment of an audio listening system depicted in FIG. 1;
FIG. 3 is front view of the embodiment of an audio listening system depicted in FIG. 1
FIG. 4 is a left side view of the embodiment of an audio listening system depicted in FIG. 1;
FIG. 5 is a right side view of the embodiment of an audio listening system depicted in FIG. 1; and,
FIG. 6 is a top view of the embodiment of an audio listening system depicted in FIG. 1.
The broken lines in the Figures show portions of the audio listening system that form no part of the claimed design.

1 Claim, 4 Drawing Sheets



US D731,457 S

Page 2

(56)

References Cited

U.S. PATENT DOCUMENTS

D689,843 S * 9/2013 Lee D14/205
D691,984 S * 10/2013 Wang D14/205

D693,791 S * 11/2013 Troy D14/205
D696,228 S * 12/2013 Miyake et al. D14/205
D699,702 S * 2/2014 Chen D14/205
D715,255 S * 10/2014 Nunez et al. D14/205

* cited by examiner

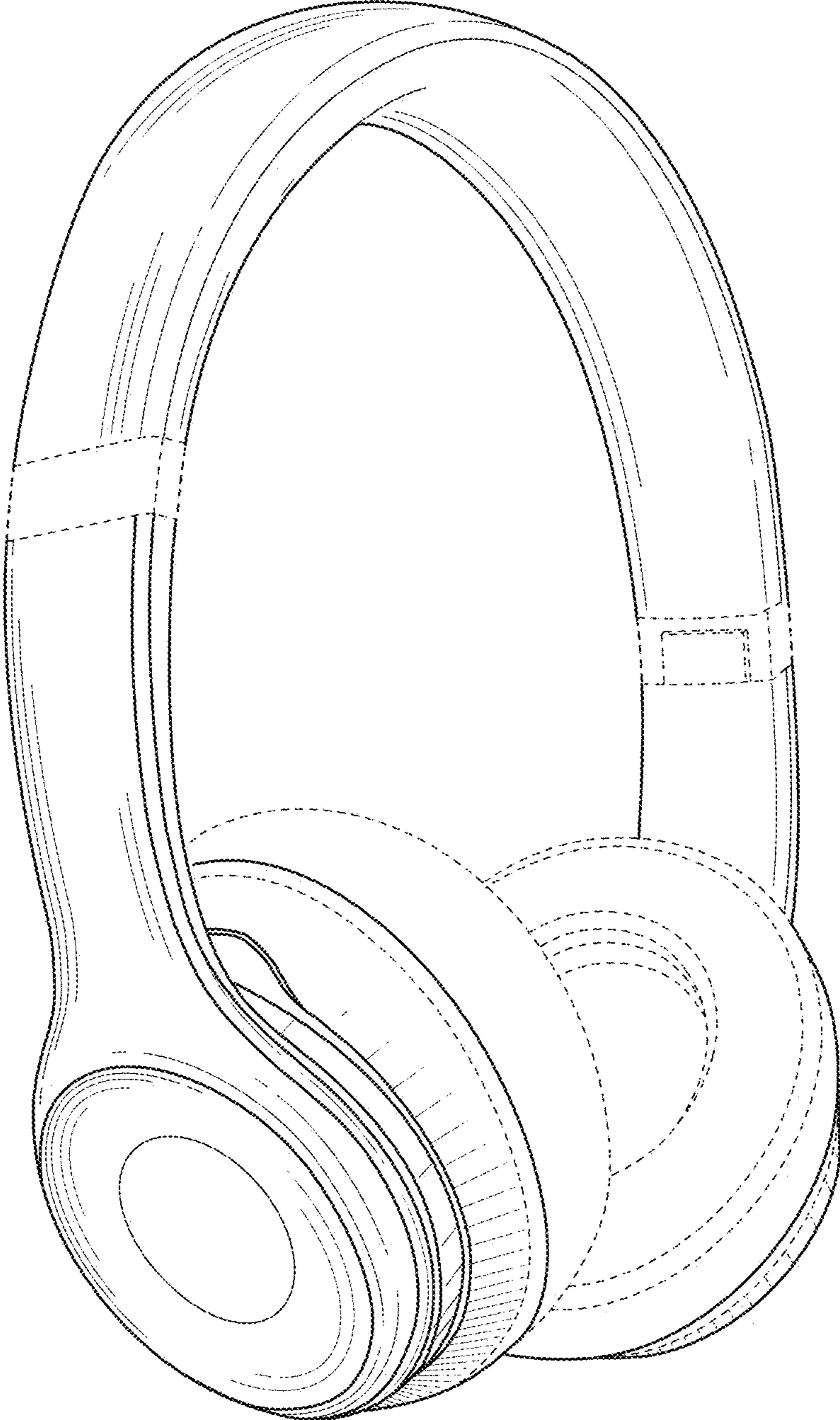


FIG. 1



FIG. 2

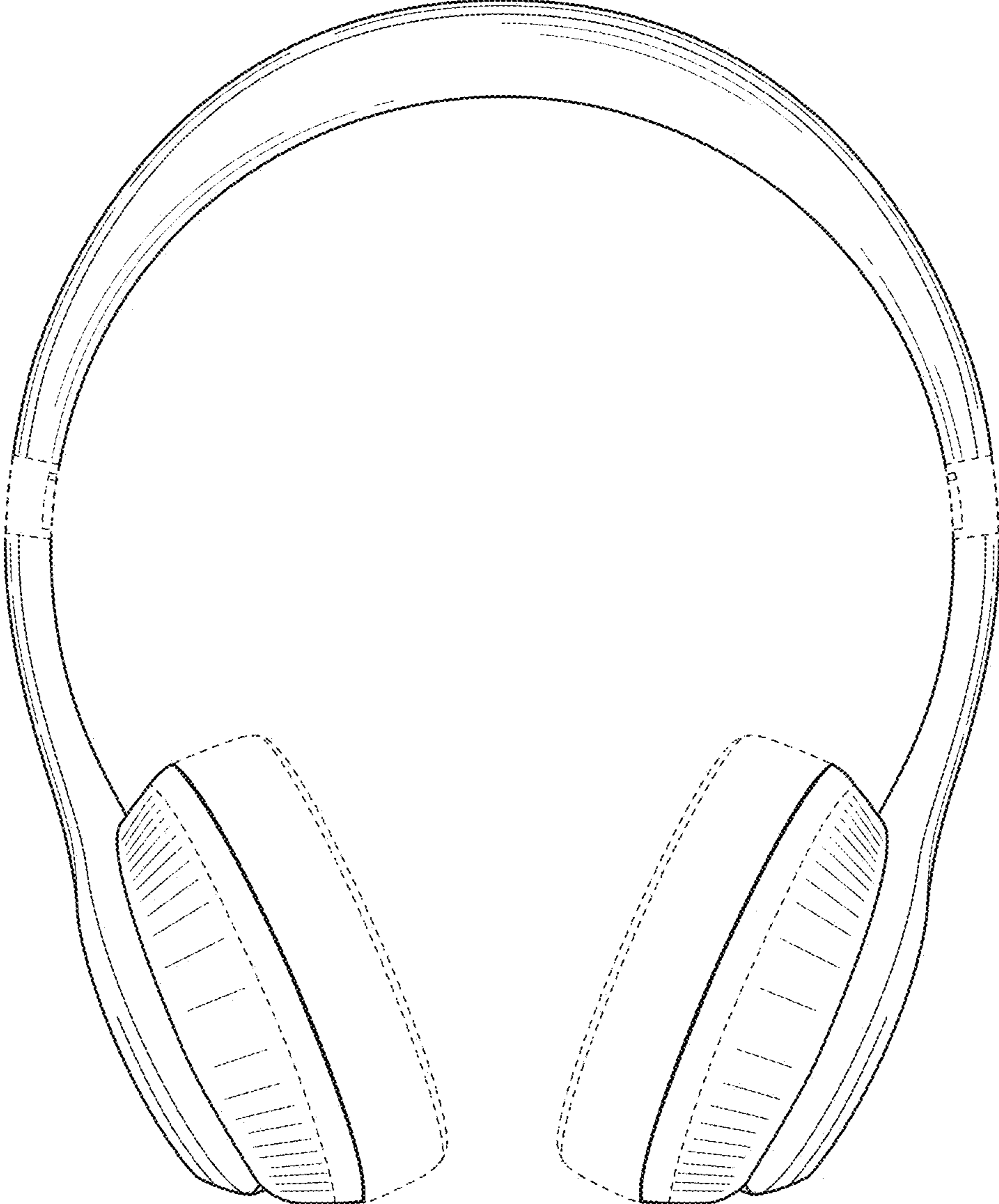


FIG. 3

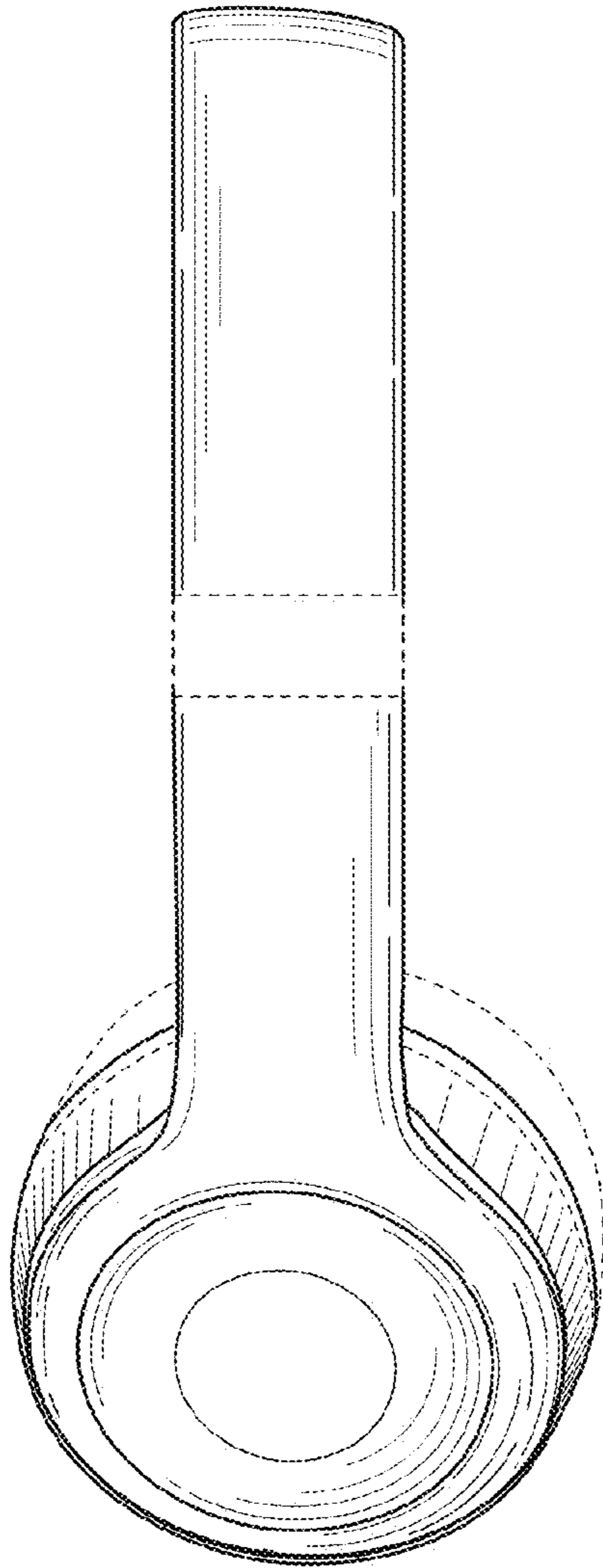


FIG. 4

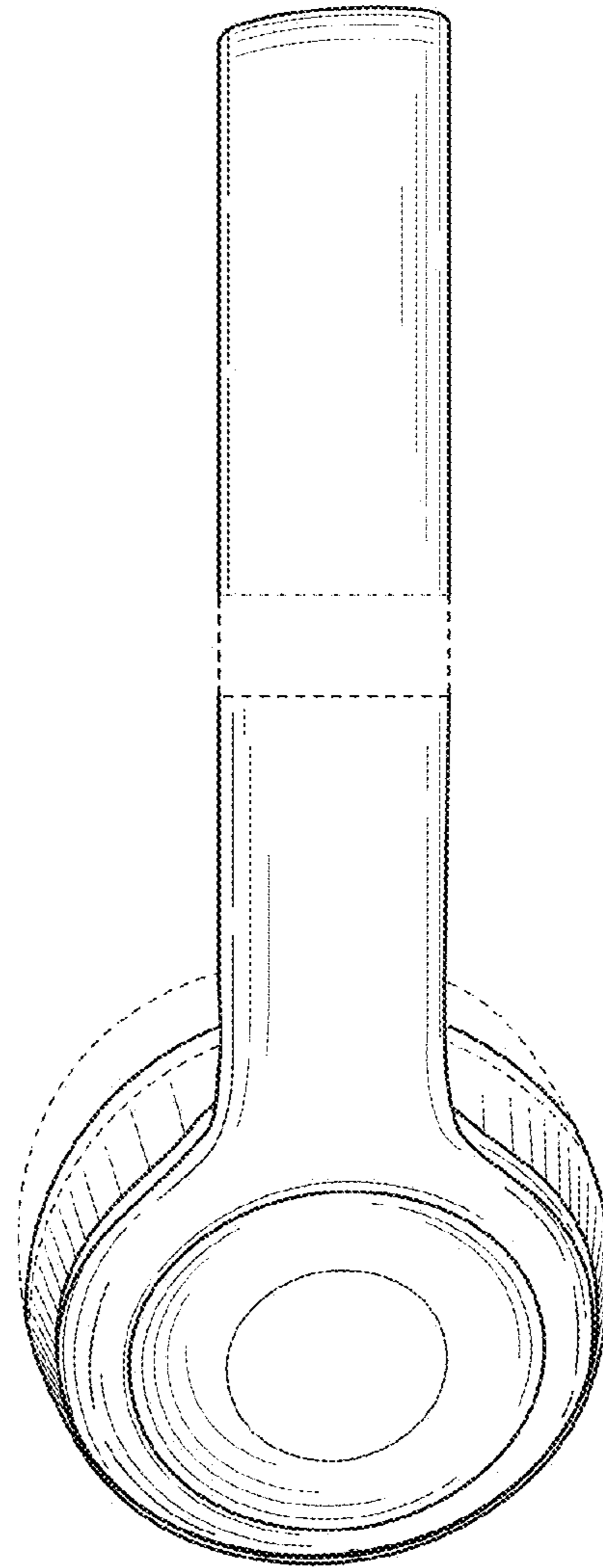


FIG. 5

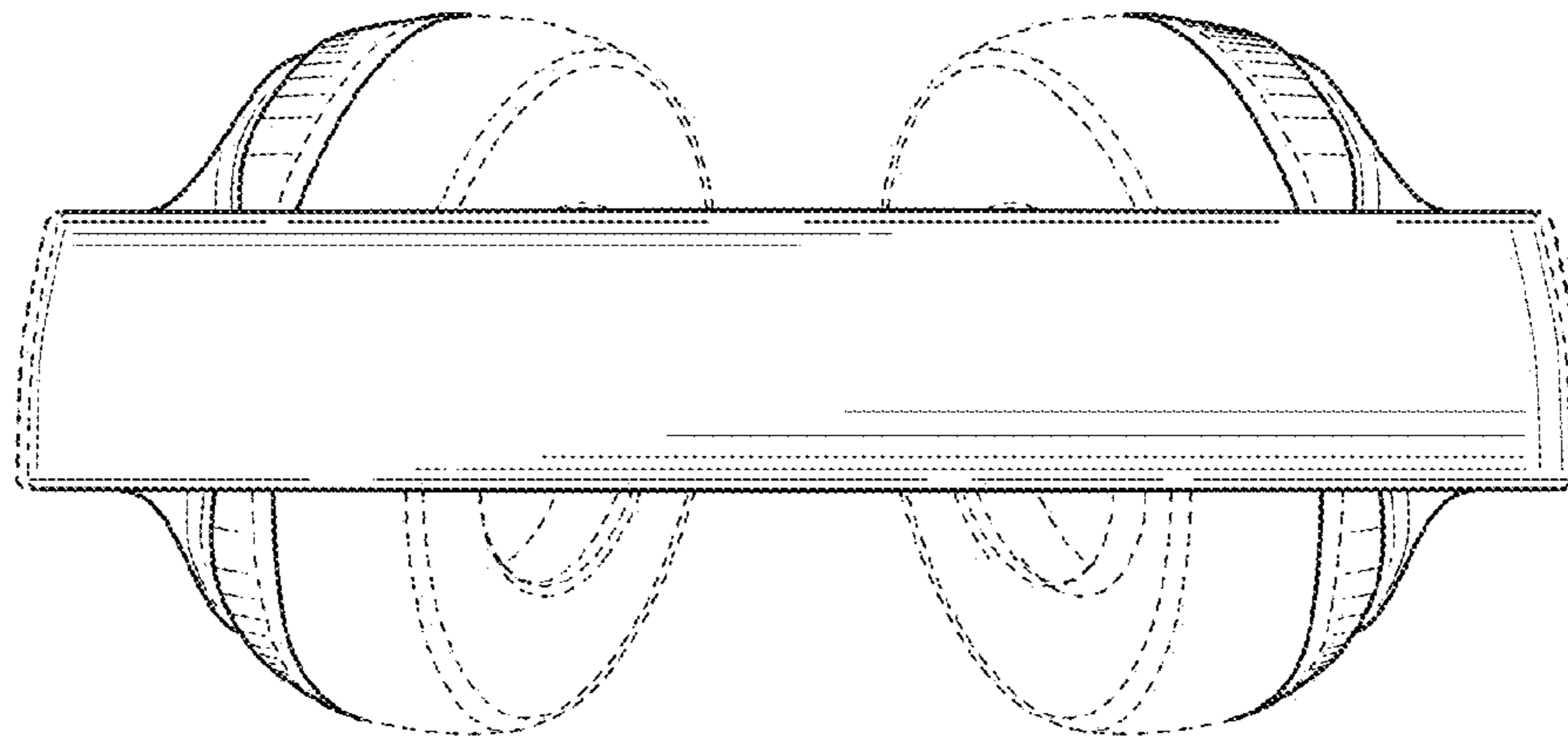


FIG. 6