



US00D731451S

(12) **United States Design Patent**  
**Choi et al.**

(10) **Patent No.:** **US D731,451 S**  
(45) **Date of Patent:** **\*\* Jun. 9, 2015**

(54) **TELEVISION RECEIVER**

(71) Applicant: **Samsung Electronics Co., Ltd.**,  
Suwon-si, Gyeonggi-do (KR)  
(72) Inventors: **Su-An Choi**, Seoul (KR); **Eui-Seok Kim**,  
Seongnam-Si (KR)  
(73) Assignee: **Samsung Electronics Co., Ltd.**,  
Suwon-si (KR)

(\*\*) Term: **14 Years**

(21) Appl. No.: **29/446,987**

(22) Filed: **Feb. 28, 2013**

(30) **Foreign Application Priority Data**

Aug. 29, 2012 (KR) ..... 30-2012-0041583

(51) **LOC (10) Cl.** ..... **14-03**

(52) **U.S. Cl.**

USPC ..... **D14/126**

(58) **Field of Classification Search**

USPC ..... D14/126, 127, 128, 129, 239, 371, 136,  
D14/341, 375; 312/7.2; 348/836, 838, 180,  
348/184, 325, 739; 341/12; 248/917-924,  
248/465; 345/104, 133, 156, 168, 87, 173;  
720/605, 600, 655; 455/347;  
273/148 B; 229/926, 904, 74, 80.5;  
D20/11, 17, 27, 39, 40; D6/300;  
D9/600, 430

CPC ..... H04N 21/42224; H04N 2005/443;  
H04N 21/4122; H04N 21/41407; H04N  
21/4222; H04N 21/43615; H04N 21/43635;  
H04N 5/4403; H04N 5/64; H04N 5/655;  
H04N 5/645; H04N 7/00

See application file for complete search history.

(56) **References Cited**

U.S. PATENT DOCUMENTS

D616,842 S *	6/2010	Kim .....	D14/126
D652,810 S *	1/2012	Park et al. ....	D14/126
D652,811 S *	1/2012	Kim et al. ....	D14/126
D682,270 S *	5/2013	Lee et al. ....	D14/374
D682,272 S *	5/2013	Kim et al. ....	D14/374
D716,244 S *	10/2014	Kim et al. ....	D14/126

\* cited by examiner

*Primary Examiner* — Robert M Spear

*Assistant Examiner* — Eliza Bennett-Hattan

(74) *Attorney, Agent, or Firm* — NSIP Law

(57) **CLAIM**

The ornamental design for a television receiver, as shown and described.

**DESCRIPTION**

FIG. 1 is a front perspective view of a television receiver; FIG. 2 is a front view of the television receiver of FIG. 1; FIG. 3 is a rear view of the television receiver of FIG. 1; FIG. 4 is a left-side view of the television receiver of FIG. 1; FIG. 5 is a right-side view of the television receiver of FIG. 1; FIG. 6 is a top plan view of the television receiver of FIG. 1; FIG. 7 is a bottom plan view of the television receiver of FIG. 1; FIG. 8 is a perspective view of the television receiver of FIG. 1, showing an example environment; and, FIG. 9 is a cross-sectional view of a partial enlarged view of FIG. 4 that is included to more clearly depict the design as viewed from the left-side view (a-a', b-b', c-c', d-d') of FIG. 4. Features shown in broken lines in FIG. 8, form no part of the claimed design.

**1 Claim, 7 Drawing Sheets**

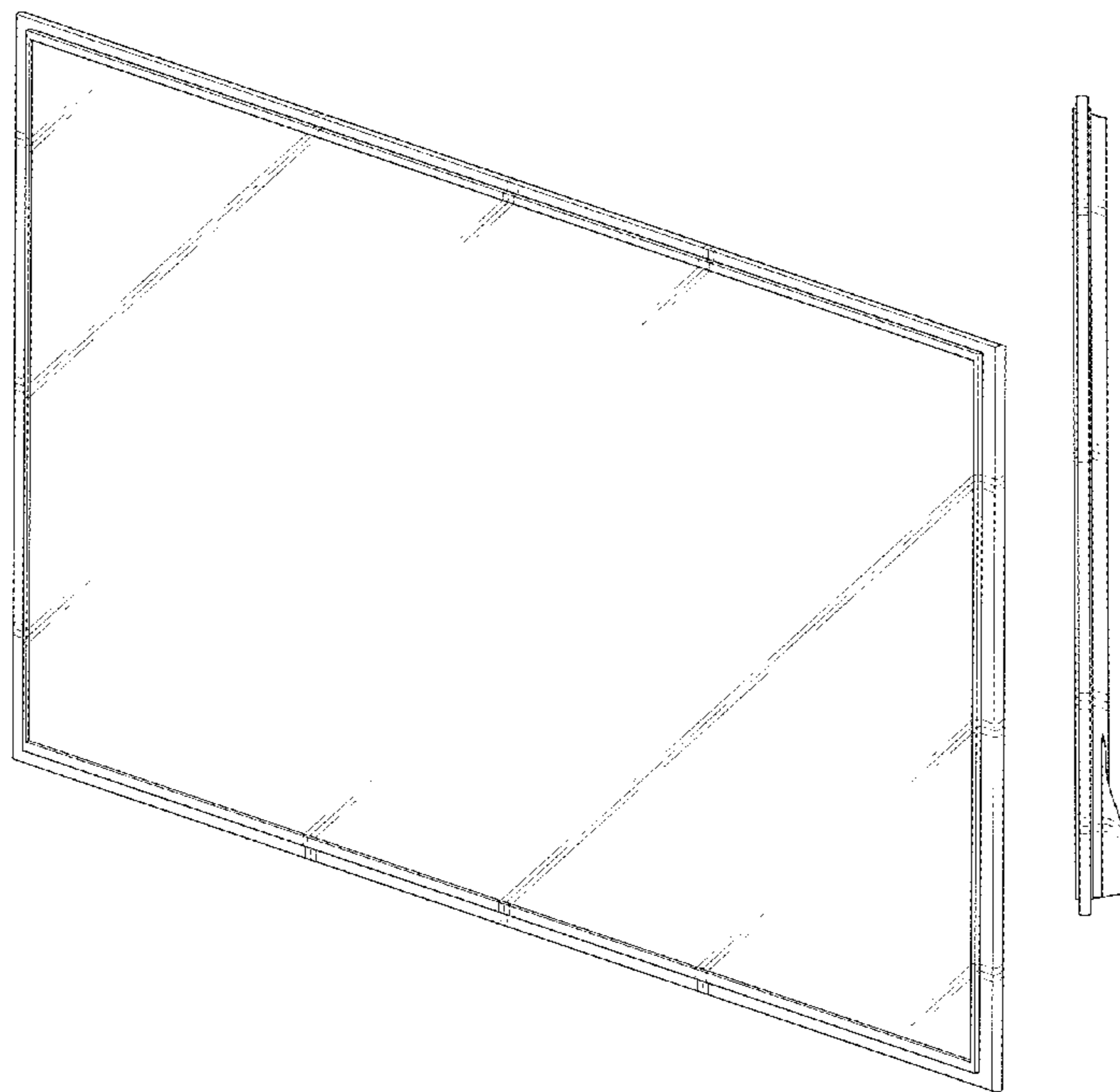


FIG. 1

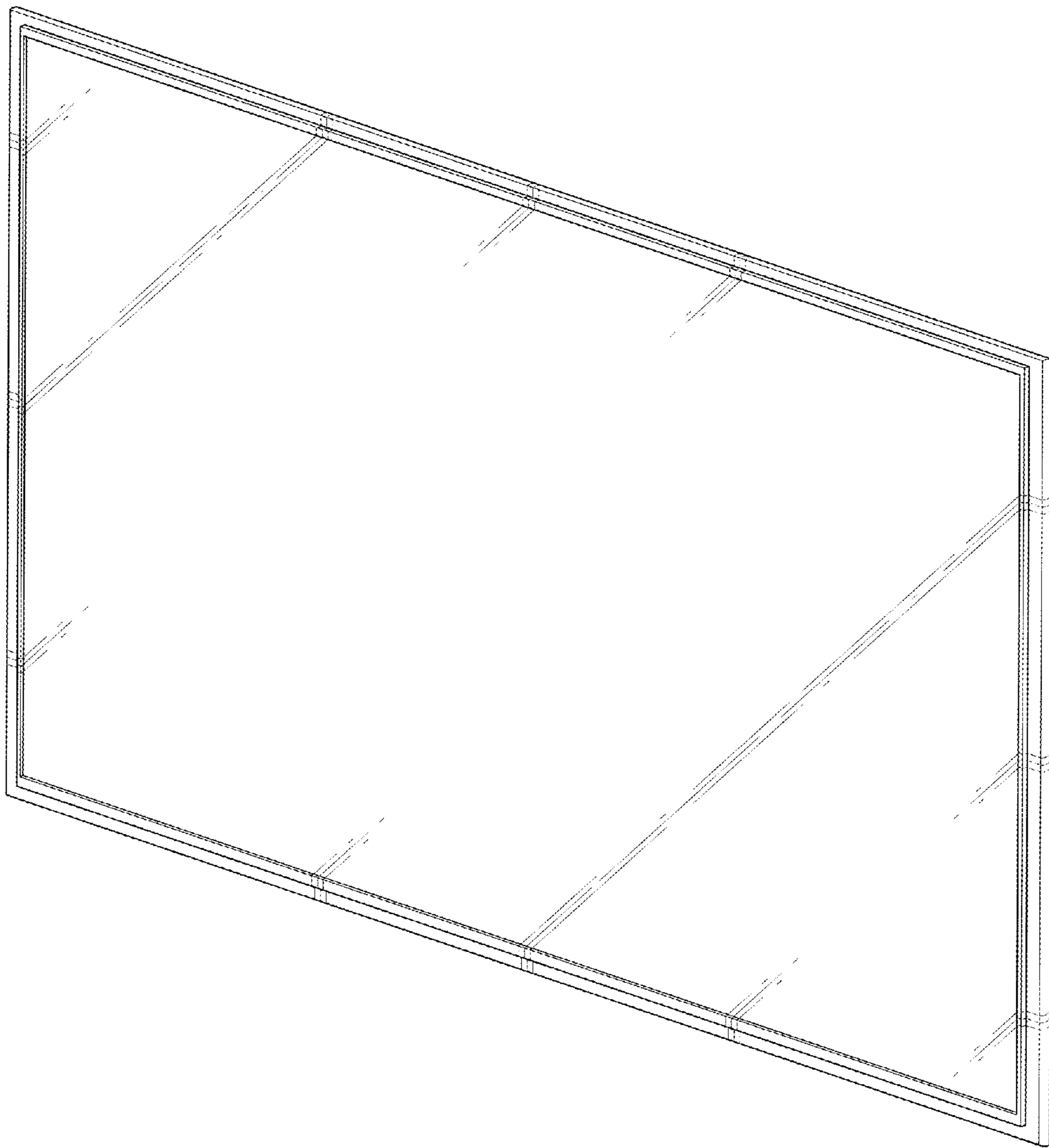


FIG. 2

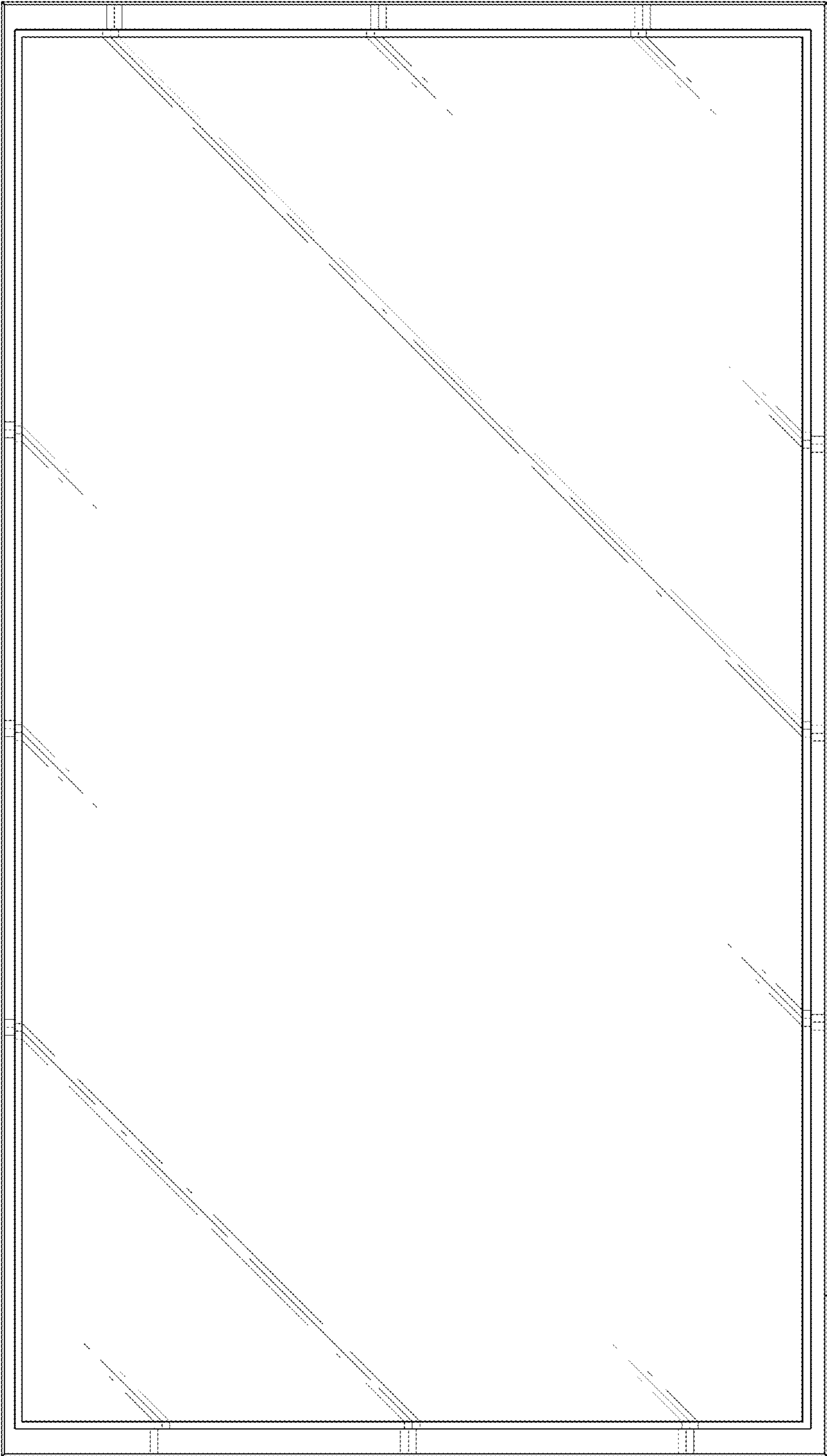


FIG. 3

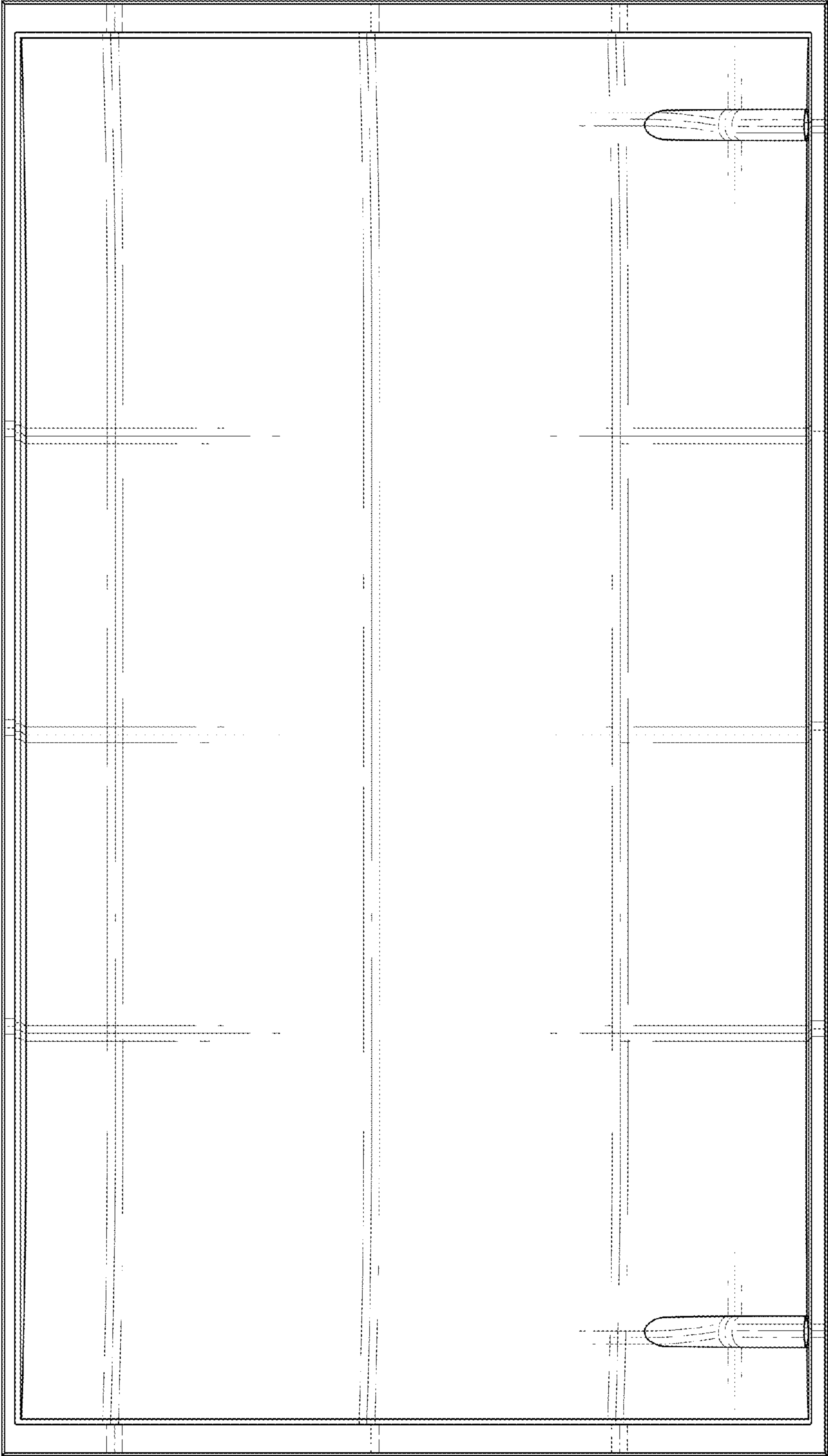


FIG. 4

FIG. 5

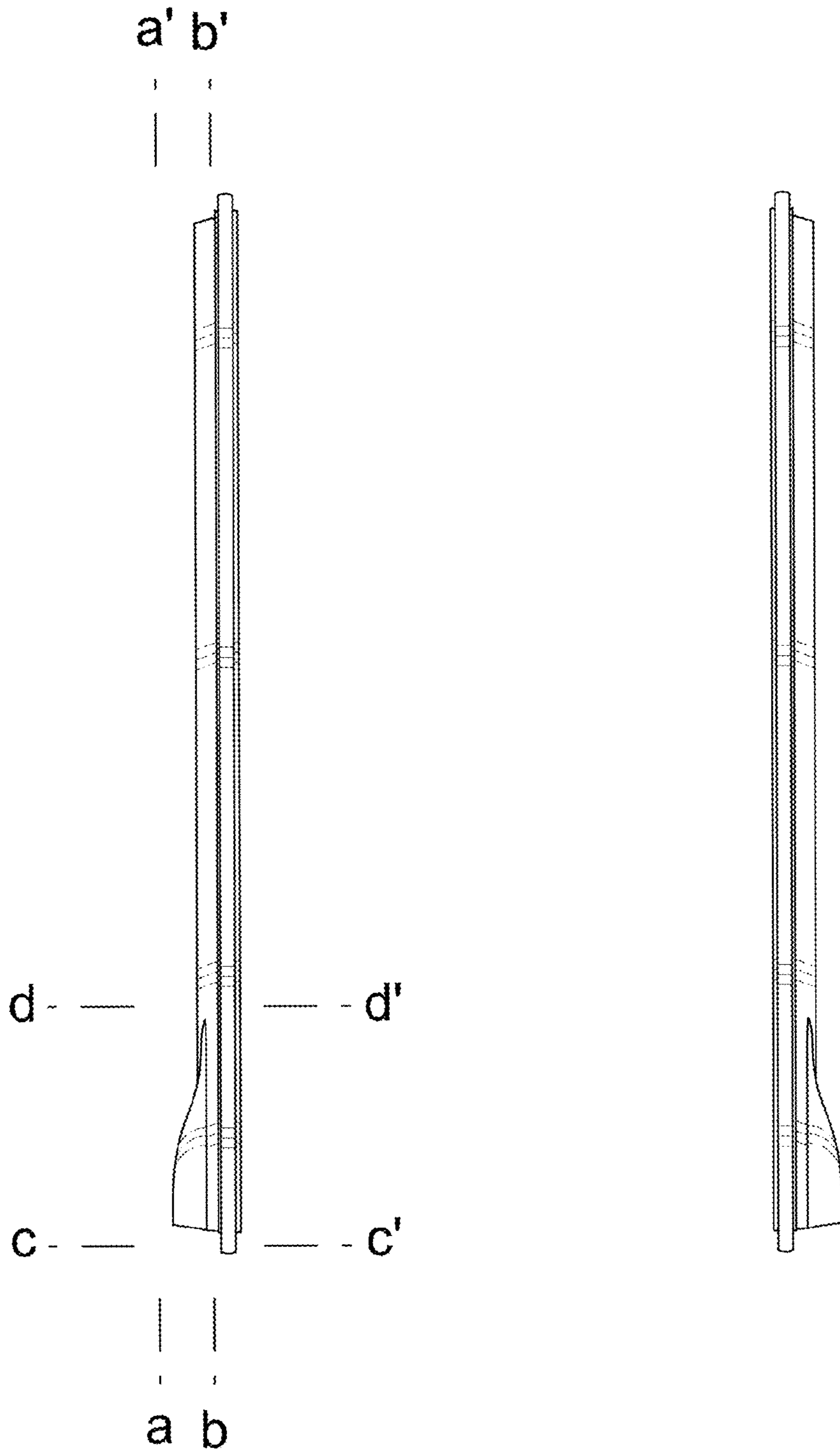


FIG. 6

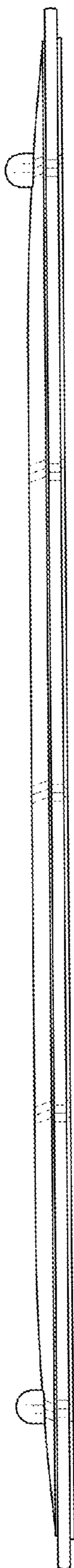


FIG. 7

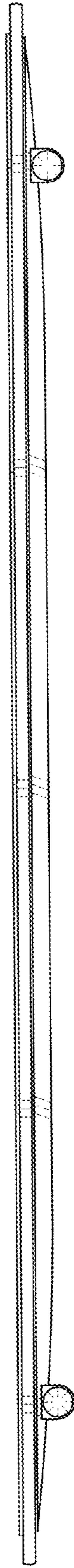


FIG. 8

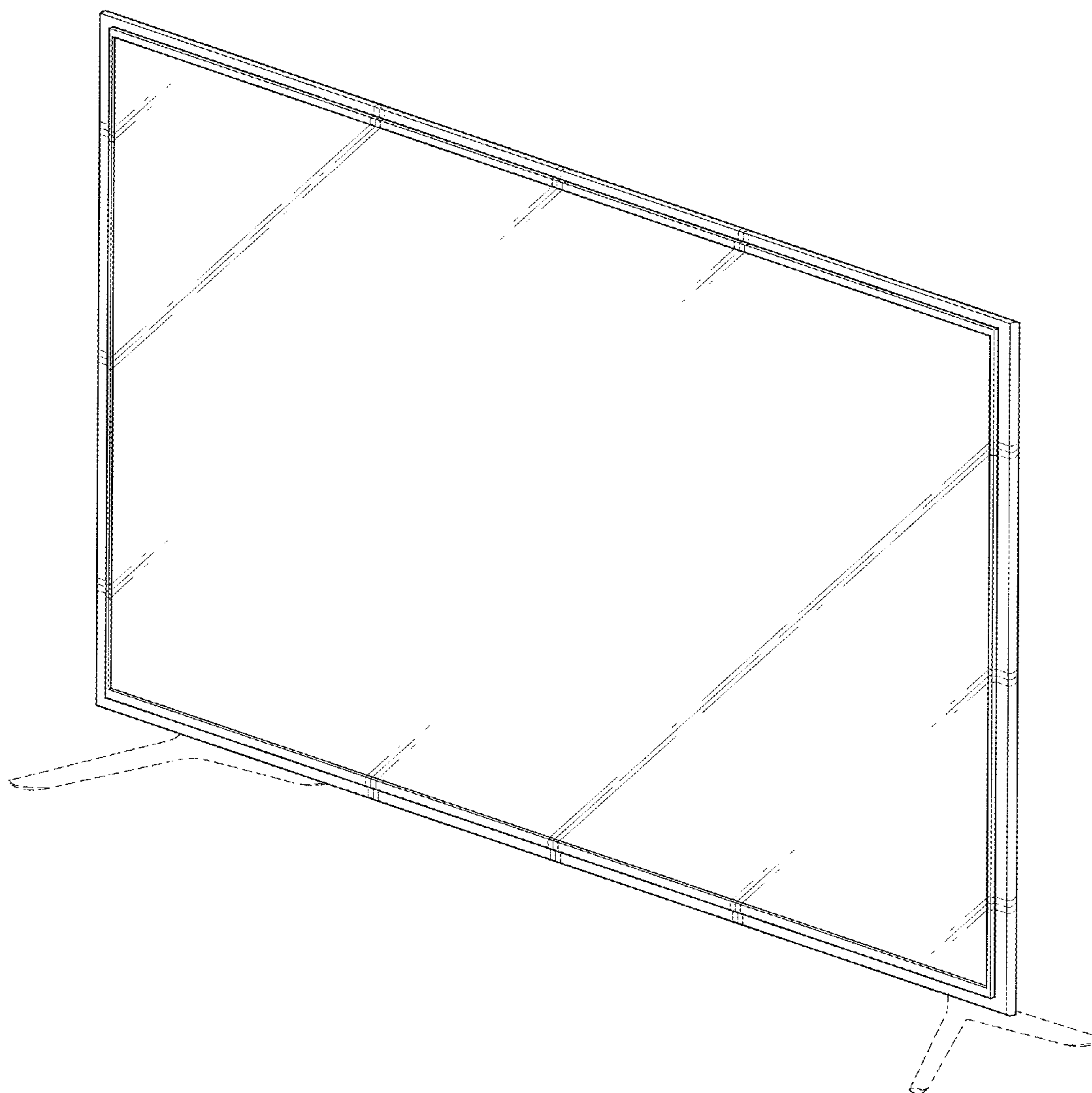


FIG. 9

