



US00D731449S

(12) **United States Design Patent**
Norman et al.

(10) **Patent No.:** **US D731,449 S**
(45) **Date of Patent:** **** Jun. 9, 2015**

(54) **SENSOR ARM HOUSING FOR A CONSTRUCTION KIT**

CPC A63H 33/101; A63H 29/00; A63H 30/00;
A63H 30/005; H01B 17/00; H01B 17/56;
H01H 2003/008

See application file for complete search history.

(71) Applicant: **Innovation First, Inc.**, Greenville, TX (US)

(56) **References Cited**

(72) Inventors: **David Anthony Norman**, Greenville, TX (US); **Robert H. Mimplitch, III**, Rowlett, TX (US); **Raul Olivera**, Greenville, TX (US); **Douglas Michael Galletti**, Allen, TX (US); **Gregory James Lavender**, Rockwell, TX (US); **Jeffrey Russel Waegelin**, Rockwell, TX (US); **James Anthony Trzaskos**, Greenville, TX (US); **Kelvin Gunnar Frank**, Greenville, TX (US); **Jason Alan Weihman**, Greenville, TX (US); **Thomas Charles Glick**, Greenville, TX (US); **Arthur Philip Dutra, IV**, Greenville, TX (US); **John Edward Vielkind-Neun**, Greenville, TX (US); **Paul David Copioli**, Rockwell, TX (US)

U.S. PATENT DOCUMENTS

D261,757	S	*	11/1981	Wunderlich	D34/31
D407,178	S	*	3/1999	Evans	D34/38
8,002,241	B1	*	8/2011	Shaw	254/88
D707,276	S	*	6/2014	Norman et al.	D15/199
D711,974	S	*	8/2014	Norman et al.	D21/491
D715,221	S	*	10/2014	Lin	D13/110
D715,873	S	*	10/2014	Norman et al.	D21/504

(Continued)

Primary Examiner — Thomas Johannes

Assistant Examiner — Shawn T Gingrich

(74) *Attorney, Agent, or Firm* — Adam K. Sacharoff; Much Shelist

(73) Assignee: **Innovation First, Inc.**, Greenville, TX (US)

(57) **CLAIM**

The ornamental design for a sensor arm housing for a construction kit, as shown and described.

(**) Term: **14 Years**

DESCRIPTION

(21) Appl. No.: **29/488,275**

FIG. 1 is a top front perspective view of a sensor arm housing for a construction kit in accordance with the invention; FIG. 2 is a top rear perspective view of FIG. 1; FIG. 3 is a bottom top perspective view of FIG. 1; FIG. 4 is a bottom rear perspective view of FIG. 1; FIG. 5 is a rear side view of FIG. 1; FIG. 6 is front side view of FIG. 1; FIG. 7 is a left side view of FIG. 1; FIG. 8 is a right side view of FIG. 1; FIG. 9 is a top side view of FIG. 1; and, FIG. 10 is a bottom side view of FIG. 1.

(22) Filed: **Apr. 17, 2014**

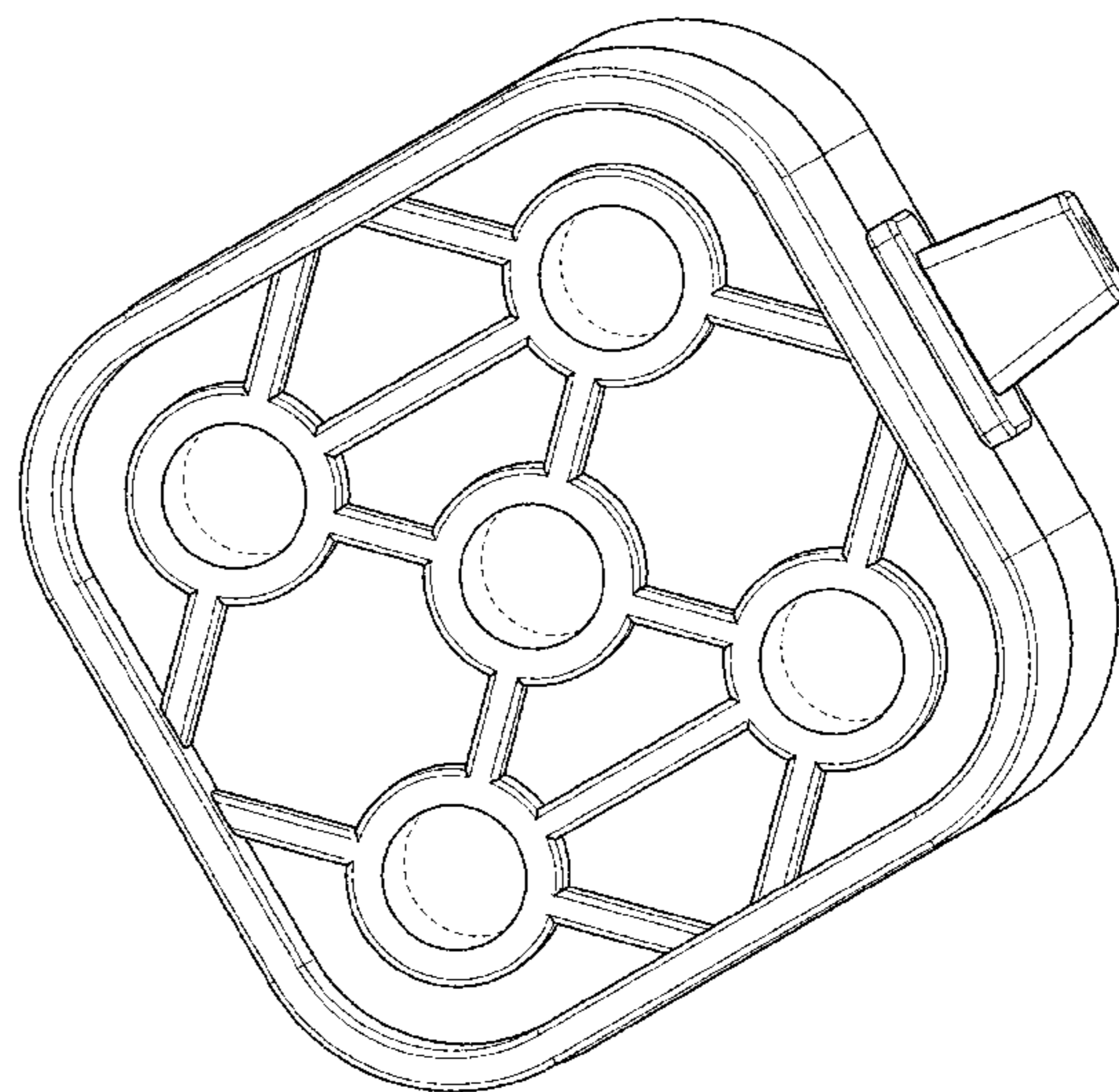
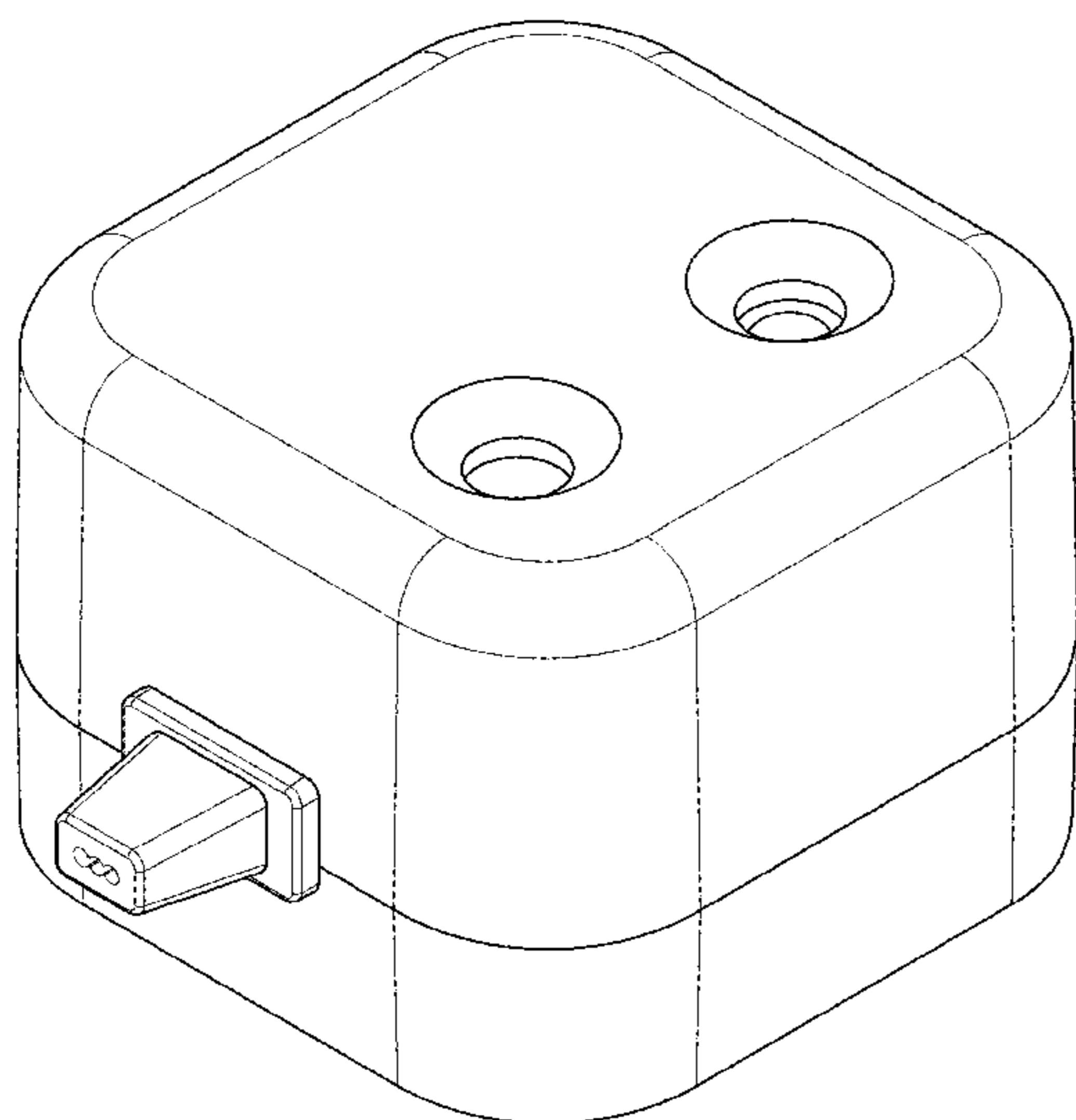
(51) **LOC (10) Cl.** **13-03**

(52) **U.S. Cl.**
USPC **D13/184; D15/199**

(58) **Field of Classification Search**
USPC D13/110, 112, 122–133, 158–161, 184, D13/199; D15/199; D21/484, 486, 487, D21/491, 501, 504; 315/152, 158, 560; 361/622, 627, 628, 643

The broken line portion of the figure drawings is included to show unclaimed subject matter only and forms no part of the claimed design.

1 Claim, 10 Drawing Sheets



US D731,449 S

Page 2

(56)

References Cited

U.S. PATENT DOCUMENTS

D715,874 S * 10/2014 Norman et al. D21/504

D716,384 S * 10/2014 Norman et al. D21/504
D716,879 S * 11/2014 Norman et al. D21/486
D718,715 S * 12/2014 Si D13/110

* cited by examiner

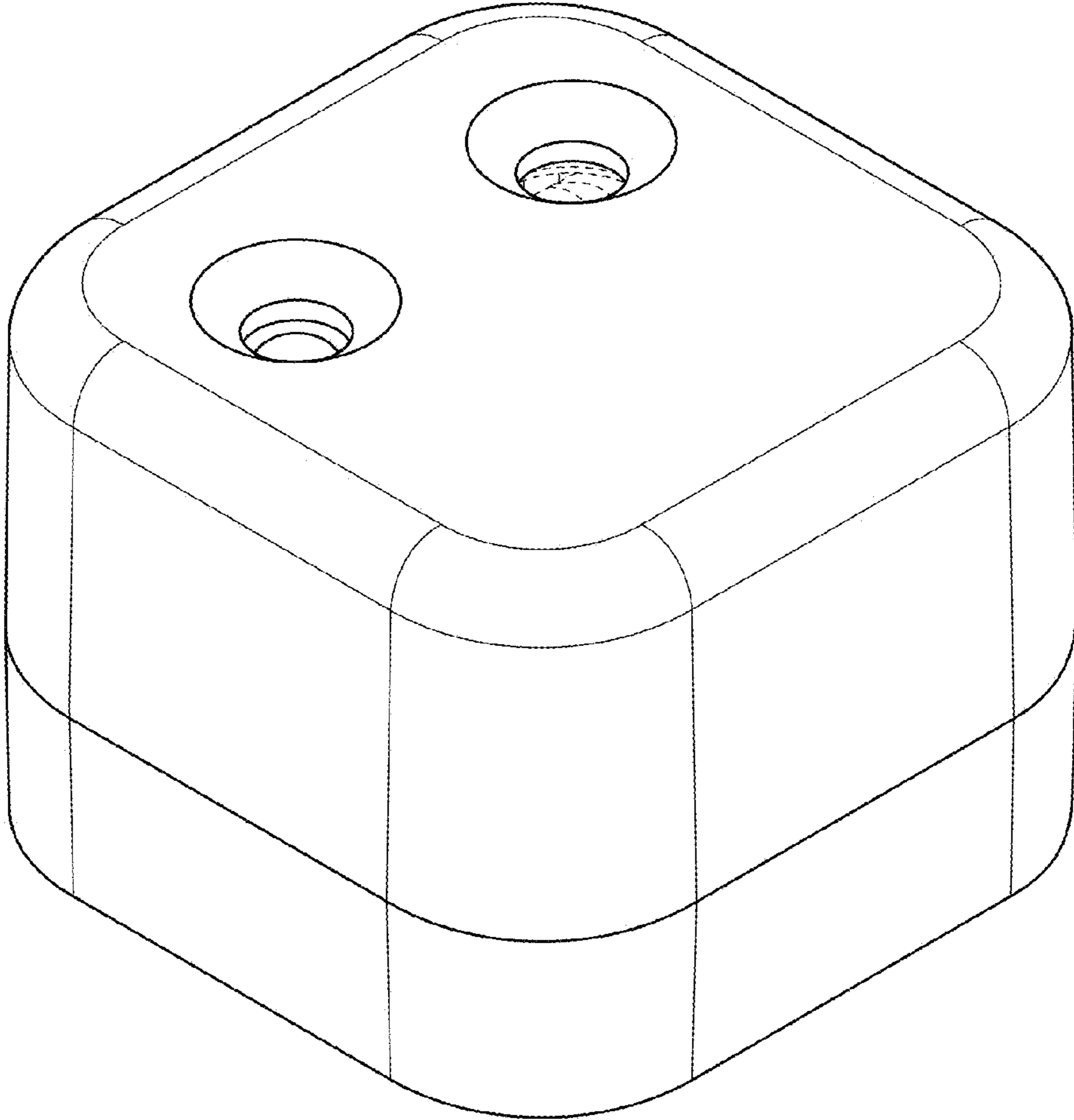


FIGURE 1

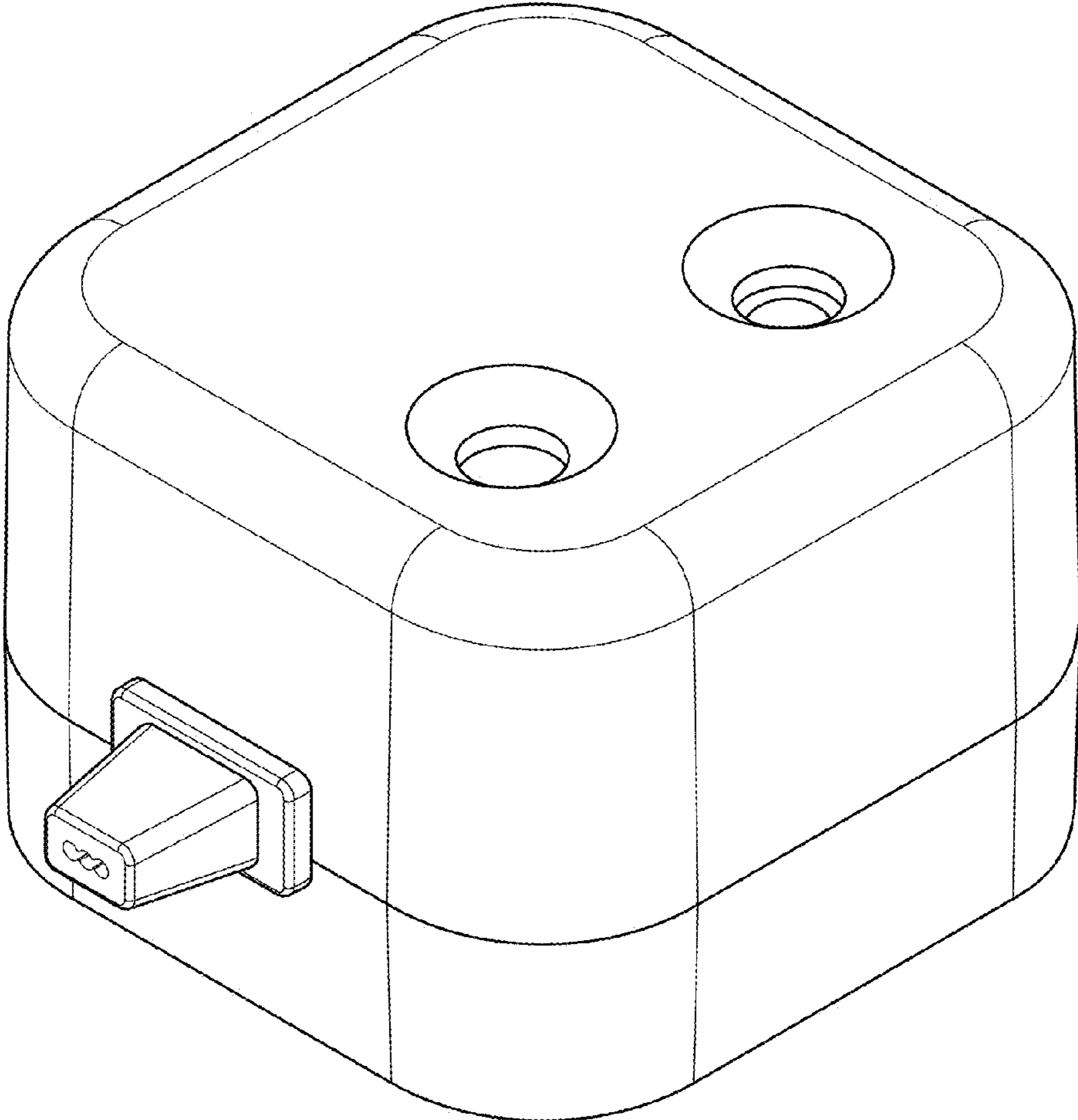


FIGURE 2

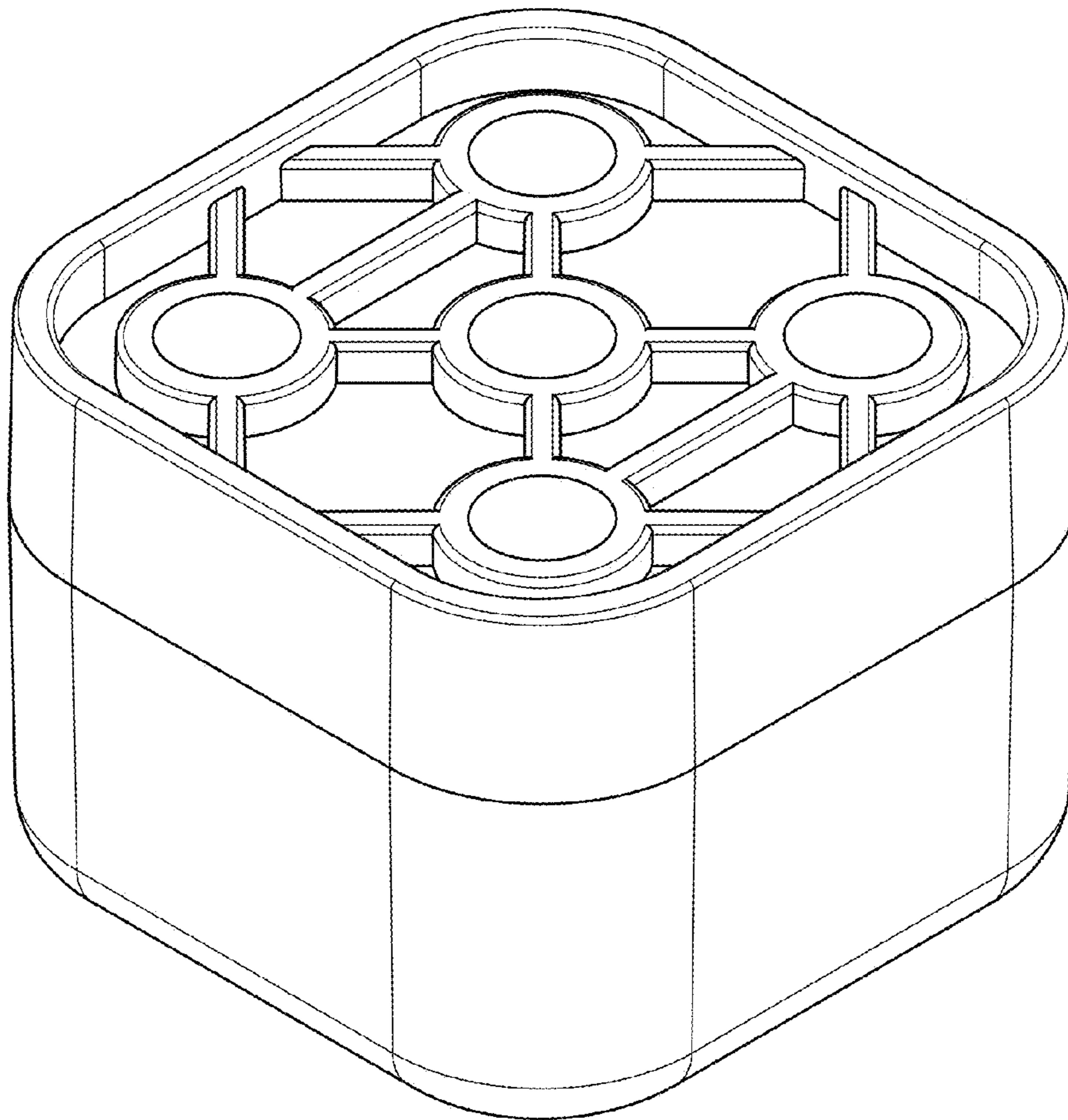


FIGURE 3

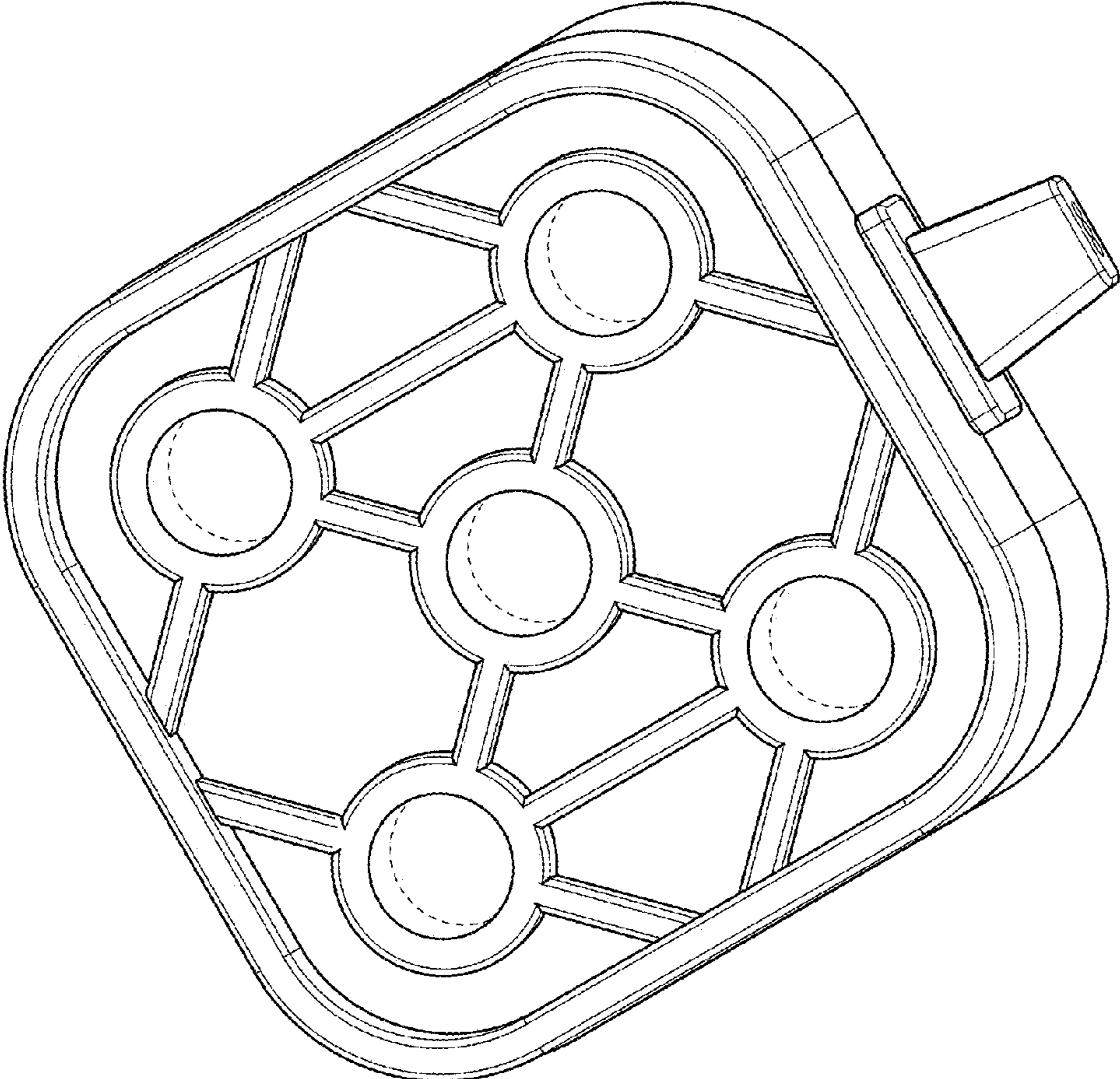


FIGURE 4

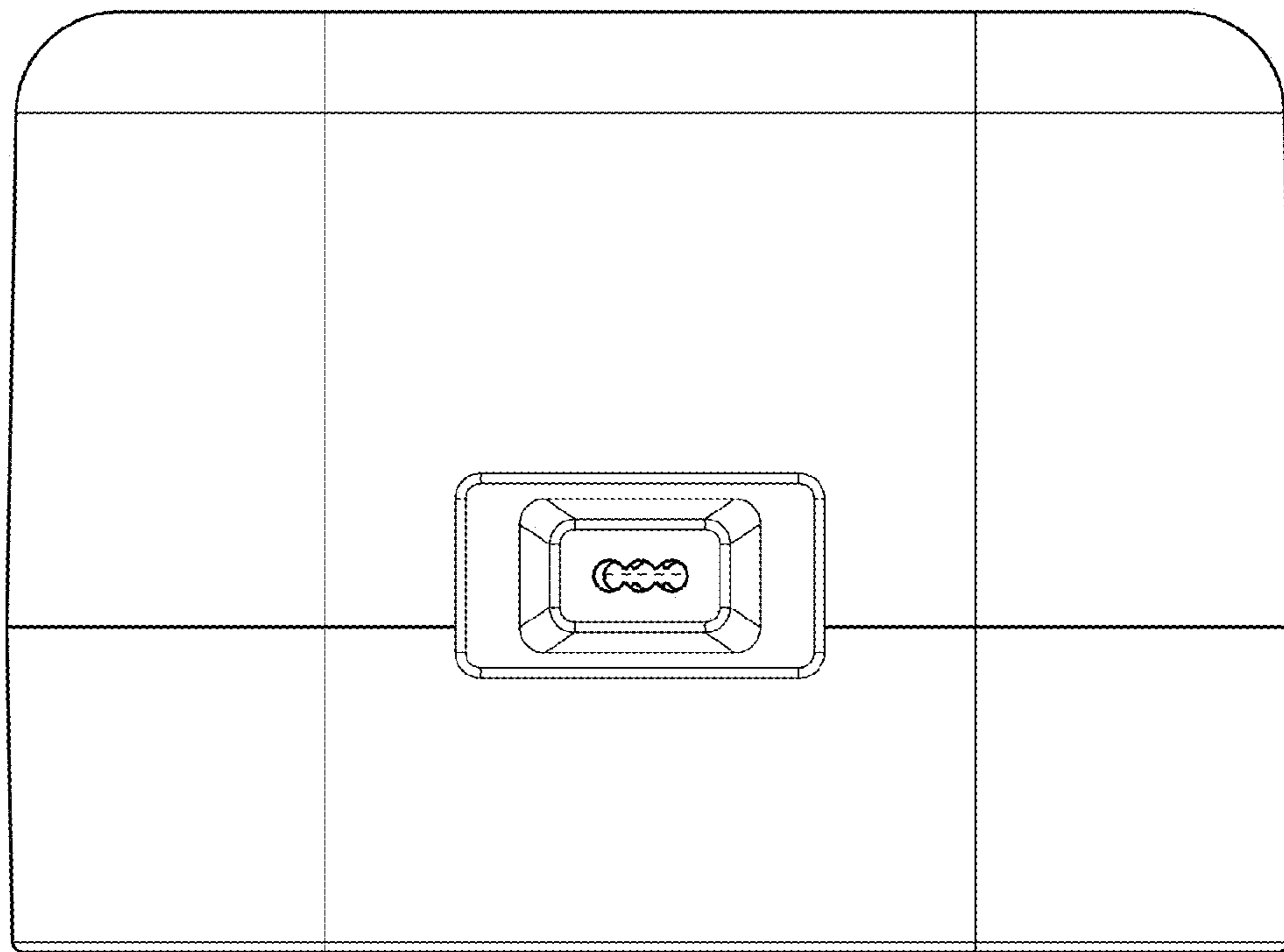


FIGURE 5

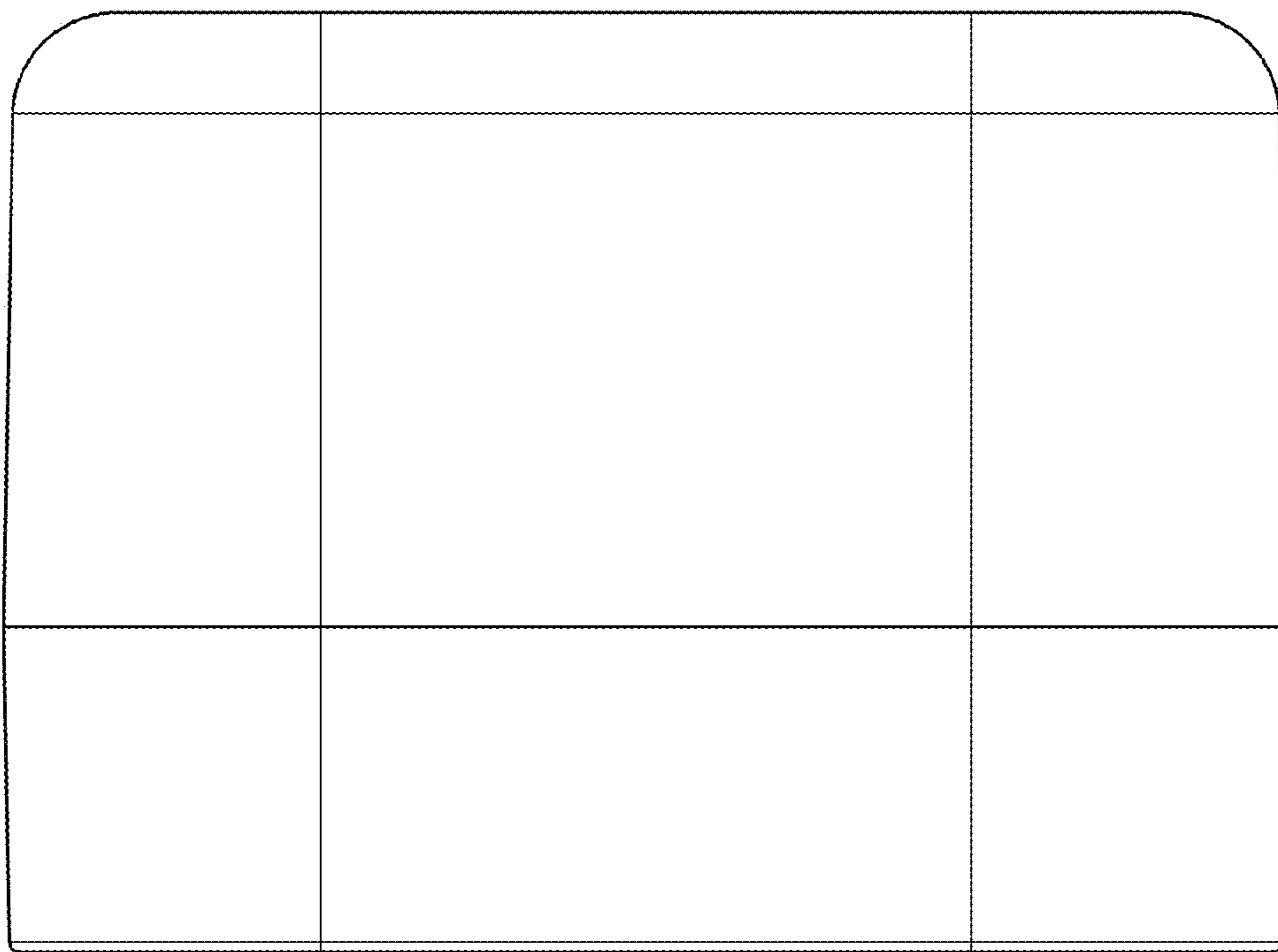


FIGURE 6

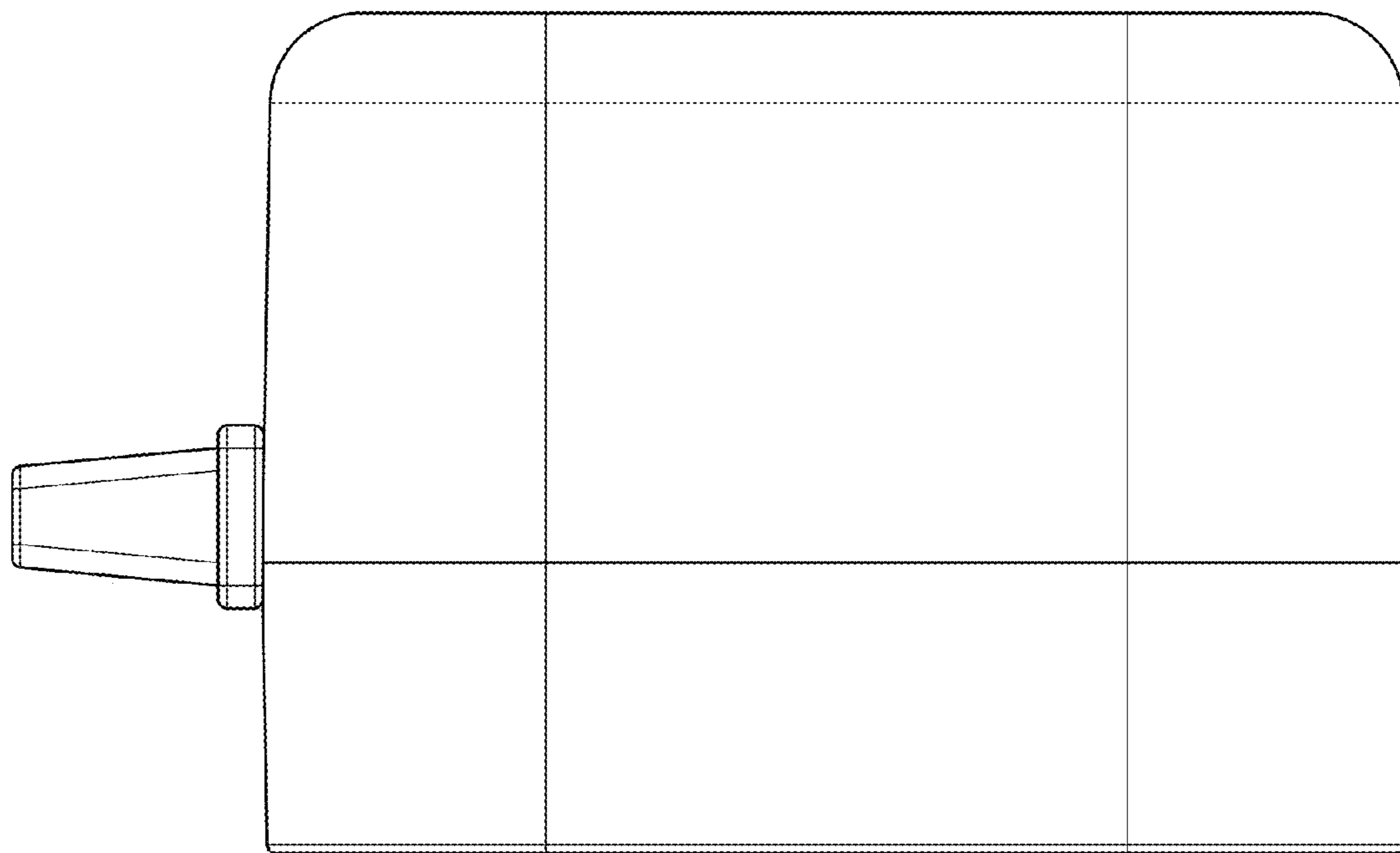


FIGURE 7

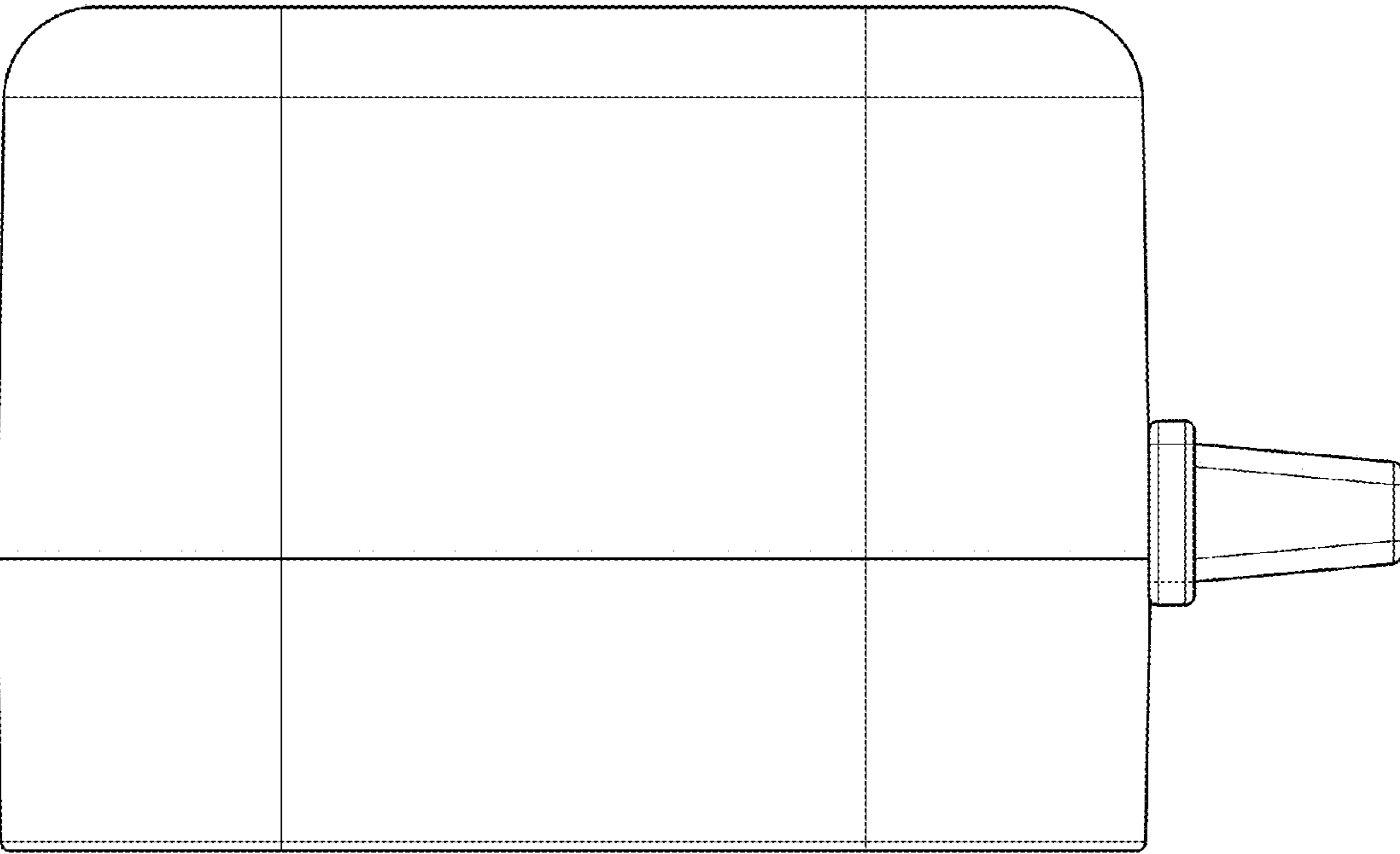


FIGURE 8

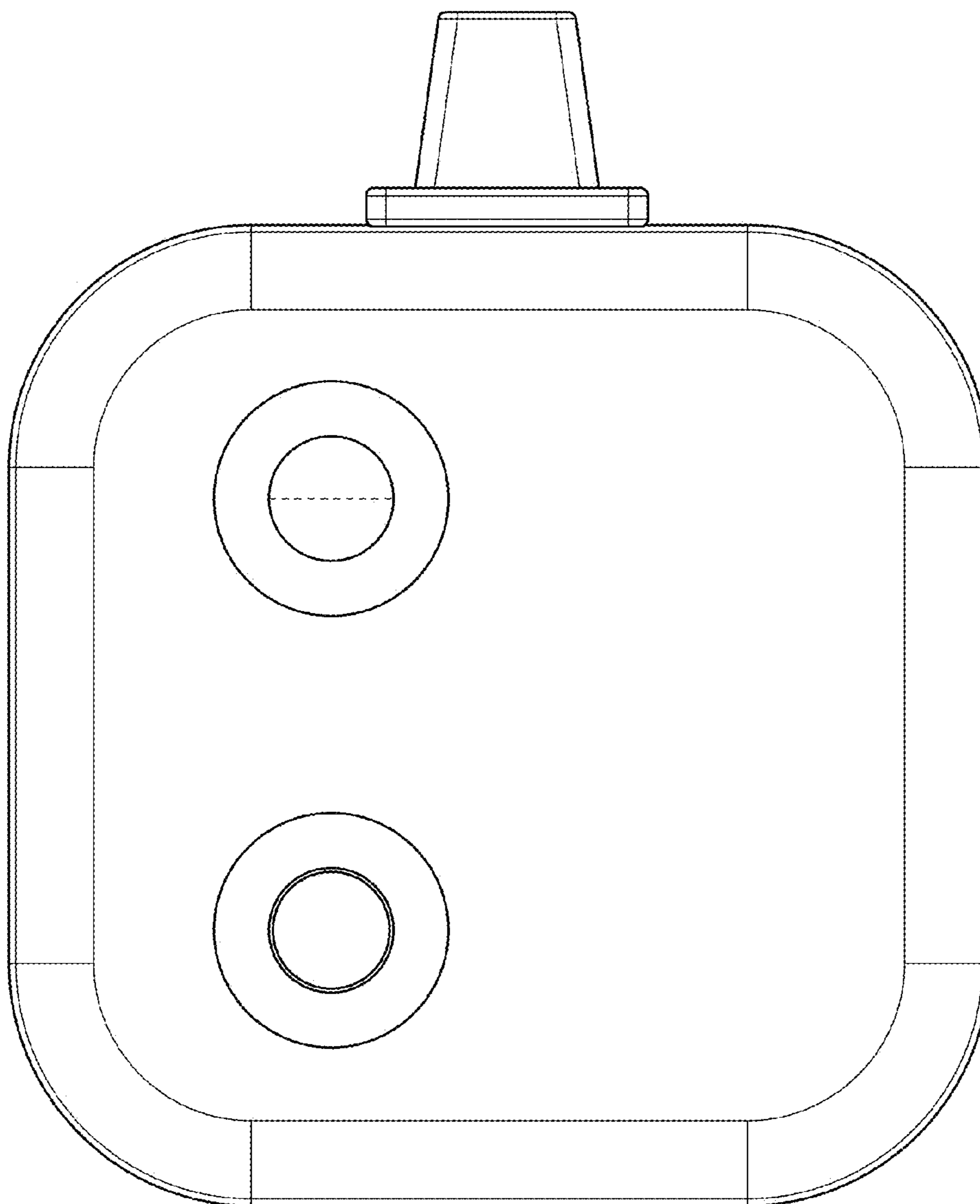


FIGURE 9

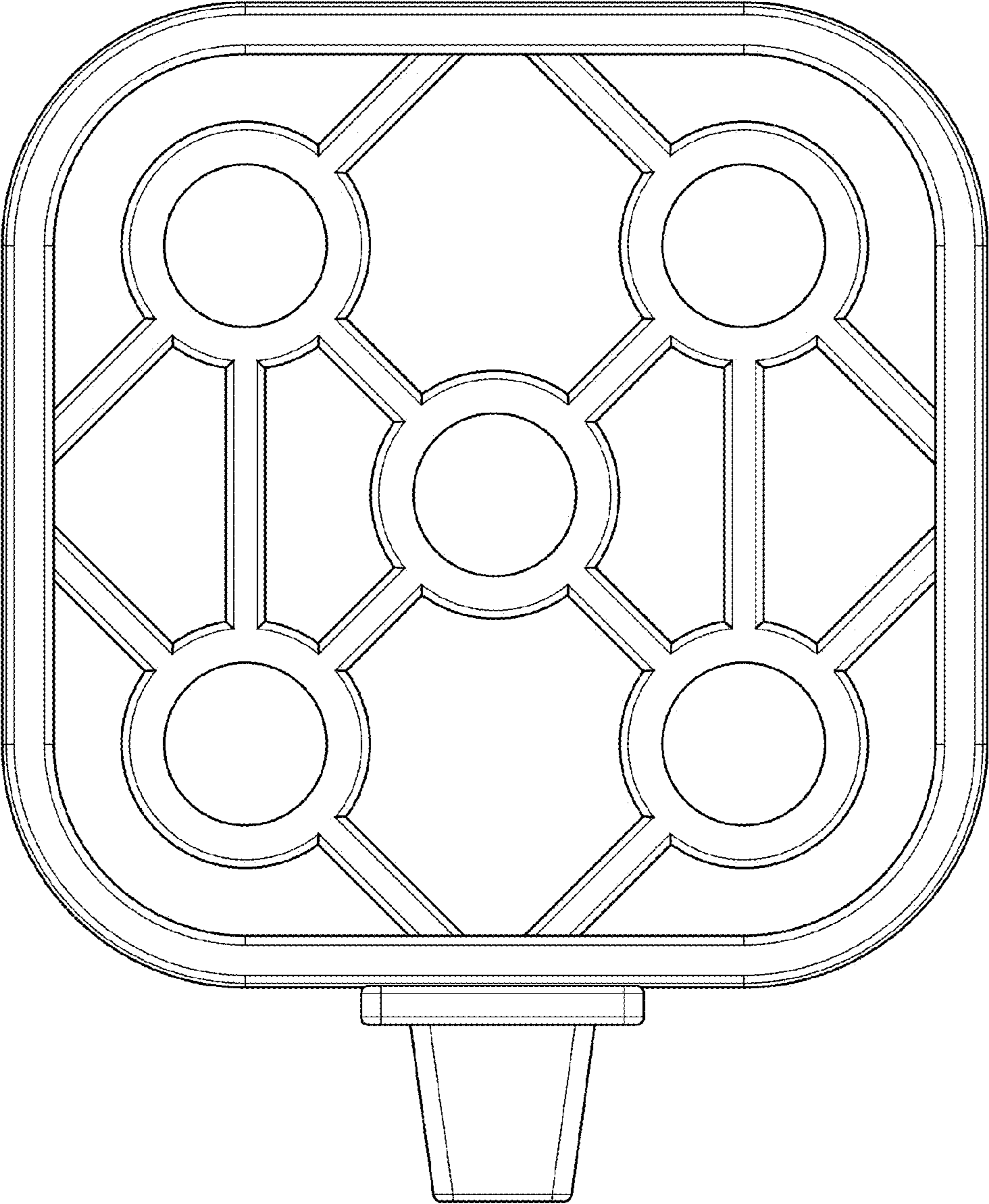


FIGURE 10