



US00D731447S

(12) **United States Design Patent**
Ward et al.

(10) **Patent No.:** **US D731,447 S**
(45) **Date of Patent:** **** Jun. 9, 2015**

(54) **THERMOELECTRIC ENERGY HARVESTER MODULE**

2013/0327370 A1* 12/2013 Ward et al. 136/230
2014/0075961 A1* 3/2014 Morimoto 62/3.2
2014/0196758 A1* 7/2014 Kamimura et al. 136/212

(71) Applicant: **Perpetua Power Source Technologies, Inc.,** Corvallis, OR (US)

OTHER PUBLICATIONS

(72) Inventors: **Marcus S. Ward,** Salem, OR (US);
Mark J. Hauck, Corvallis, OR (US)

Perpetua, "Perpetua Demo Kit," Jan. 5, 2007.
Pacific Northwest National Laboratory, "PNNL recognized for bringing clean energy innovations to marketplace," Jan. 28, 2009.
Technology Review, "Flexible Heat Miner," Apr. 21, 2009.
Innovation—America's Journal of Technology Commercialization, "Perpetual Power?" Feb. 16, 2010.
Sustainable Business Oregon, "Perpetua Power closes \$4M investment, plans expansion," May 16, 2011.
Portland Business Journal, "Powering the Next Generation" Sep. 2, 2011.
Corvallis Gazette-Times, "Perpetua gets tax break in exchange for jobs," Jan. 26, 2012.
Marlow, "EverGen Energy Harvesters," retrieved on May 8, 2012.
Cisco, "Heat Sink Basics," Feb. 2009.

(73) Assignee: **Perpetua Power Source Technologies, Inc.,** Corvallis, OR (US)

(**) Term: **14 Years**

(21) Appl. No.: **29/433,005**

(22) Filed: **Sep. 24, 2012**

(51) **LOC (10) Cl.** **13-03**

(52) **U.S. Cl.**
USPC **D13/179**

(58) **Field of Classification Search**
USPC D13/110, 179; 165/80.3, 104.33, 151,
165/122, 185; 257/706, 707, 718-722;
361/695, 697, 700, 702, 704, 710, 711,
361/714

See application file for complete search history.

* cited by examiner

Primary Examiner — Thomas Johannes

Assistant Examiner — Khawaja Anwar

(57) **CLAIM**

The ornamental design for a thermoelectric energy harvester module, as shown and described.

DESCRIPTION

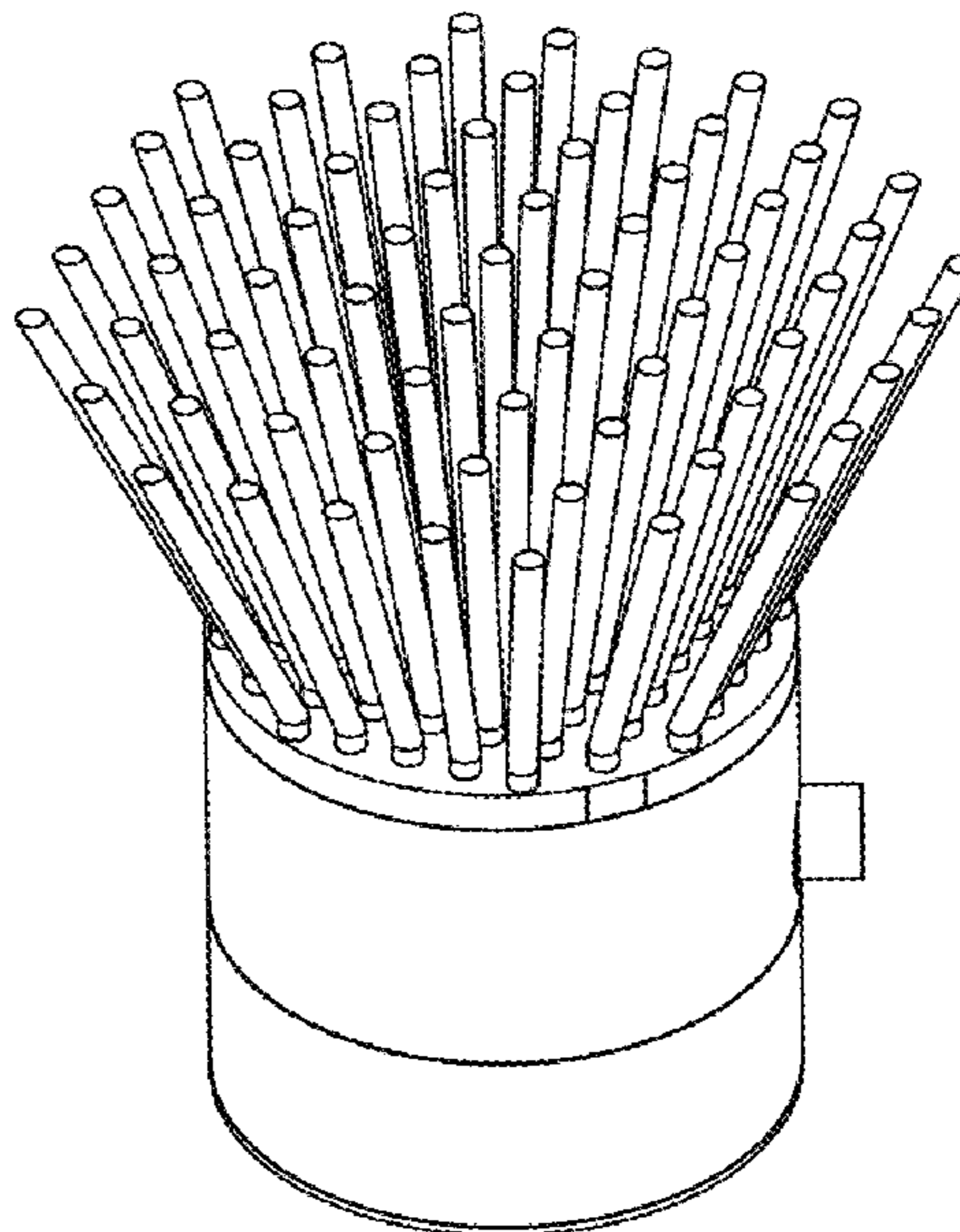
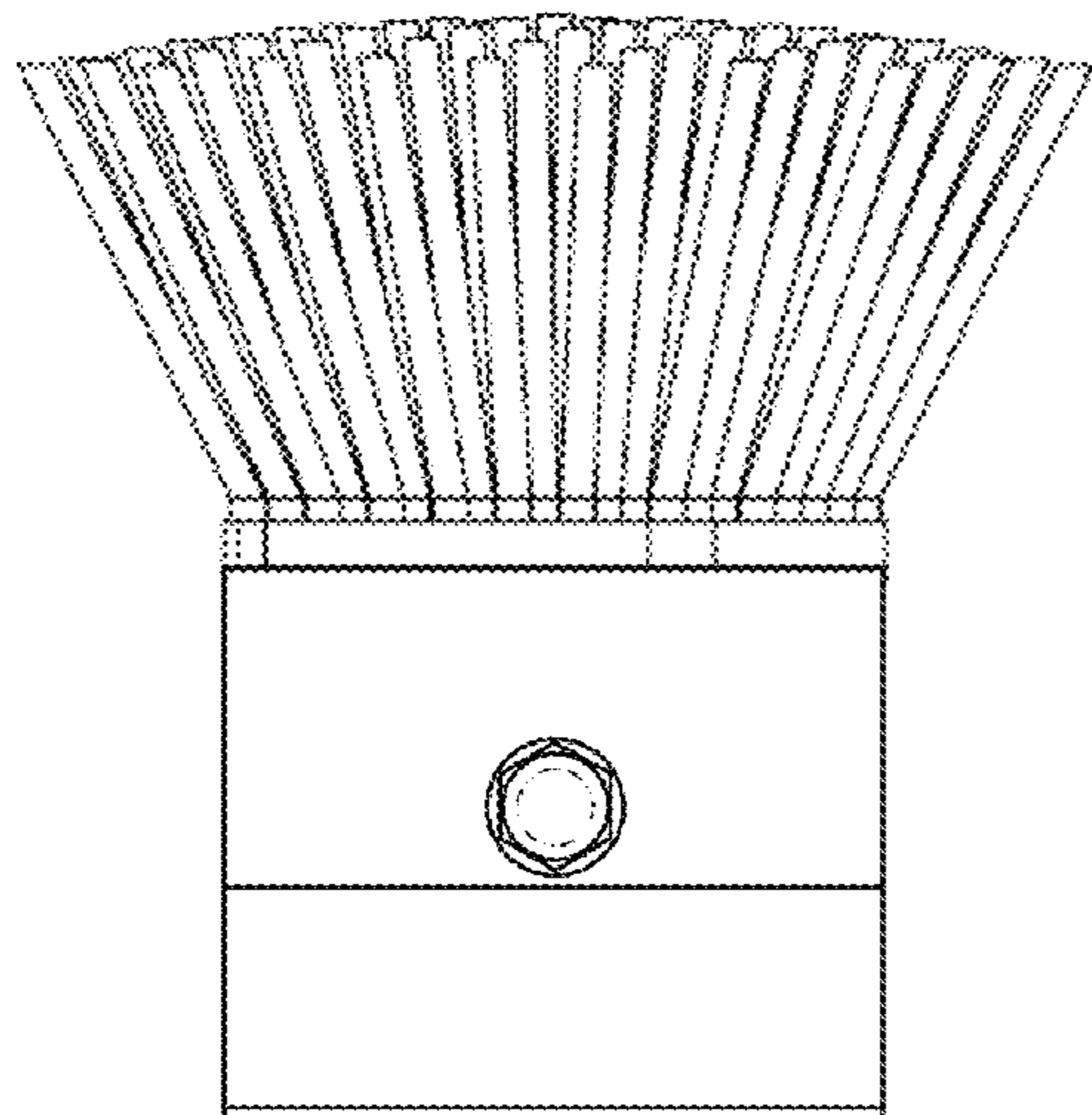
FIG. 1 is a side view of thermoelectric energy harvester module, showing our new design;
FIG. 2 is a bottom view thereof;
FIG. 3 is a top view thereof; and,
FIG. 4 is a perspective view thereof.
The broken lines in the drawings are included to show unclaimed subject matter only and form no part of the claimed design.

(56) **References Cited**

U.S. PATENT DOCUMENTS

D426,195 S * 6/2000 Kuo D13/179
6,958,443 B2 10/2005 Stark
7,629,531 B2 12/2009 Stark
D634,279 S * 3/2011 Chua et al. D13/179
D634,280 S * 3/2011 Chua et al. D13/179
D634,281 S * 3/2011 Chua et al. D13/179
2010/0139291 A1 6/2010 Hofmeister
2011/0094556 A1 4/2011 Stark
2012/0312345 A1* 12/2012 Ward et al. 136/230

1 Claim, 1 Drawing Sheet



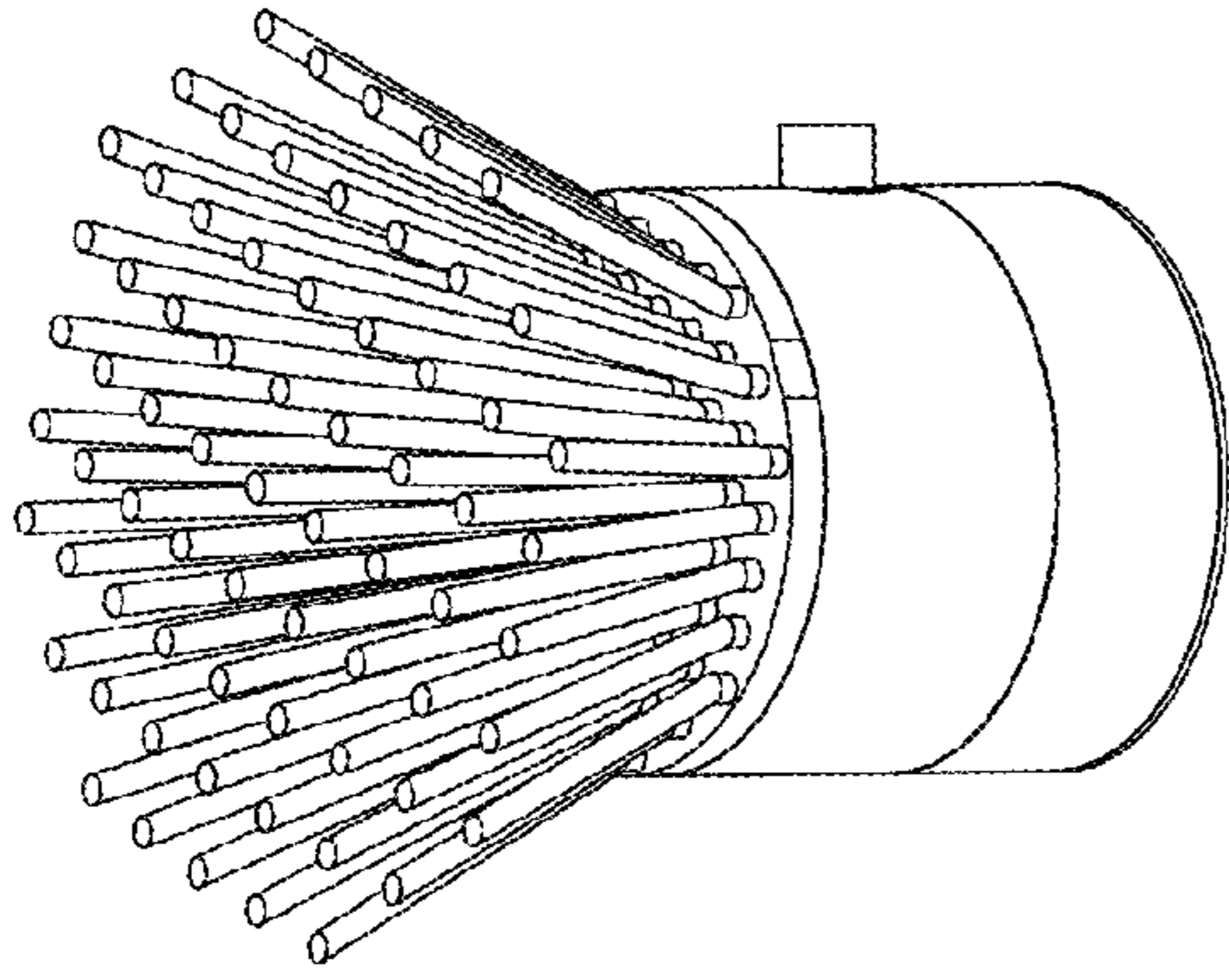


FIG. 4

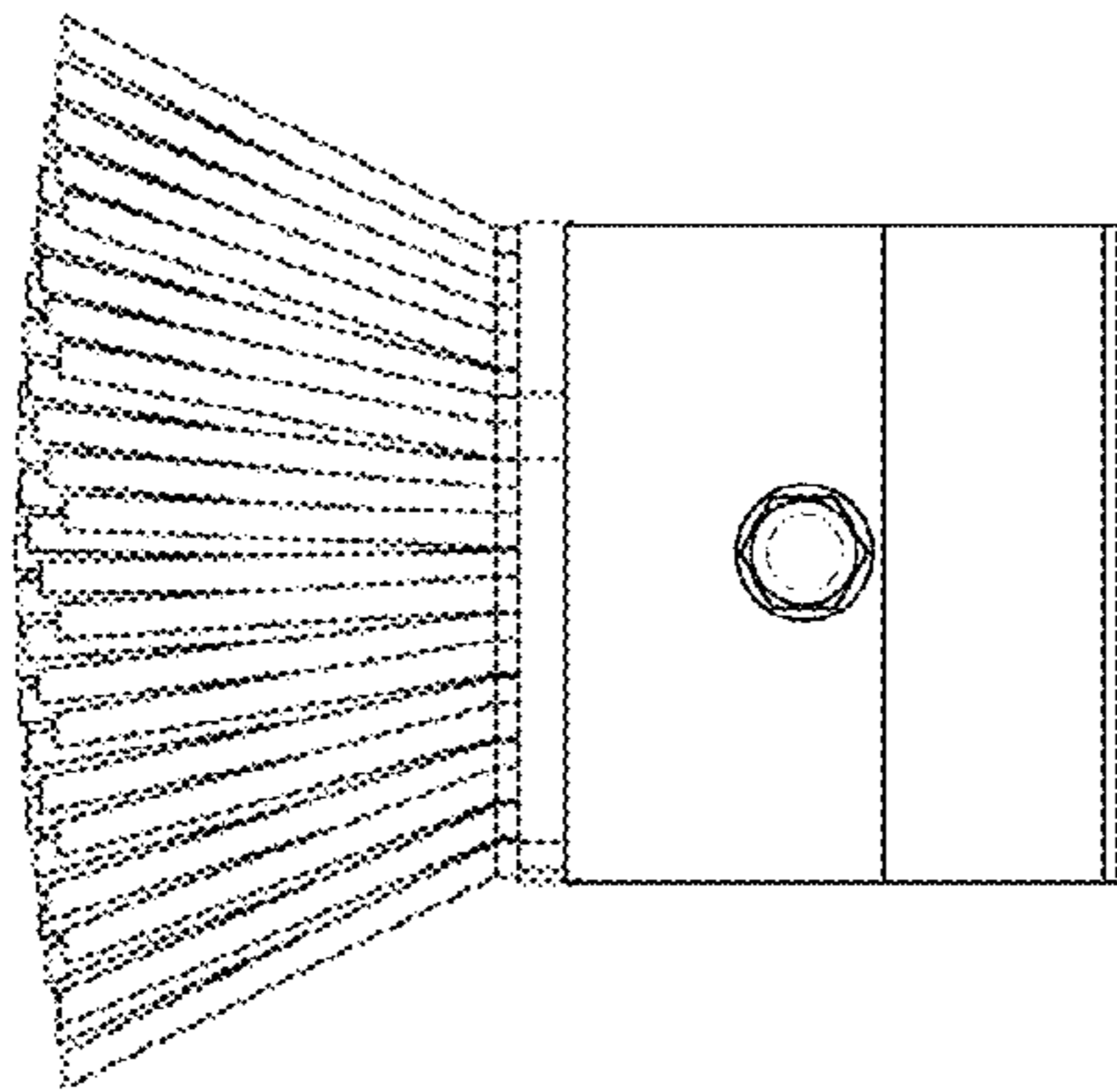


FIG. 1

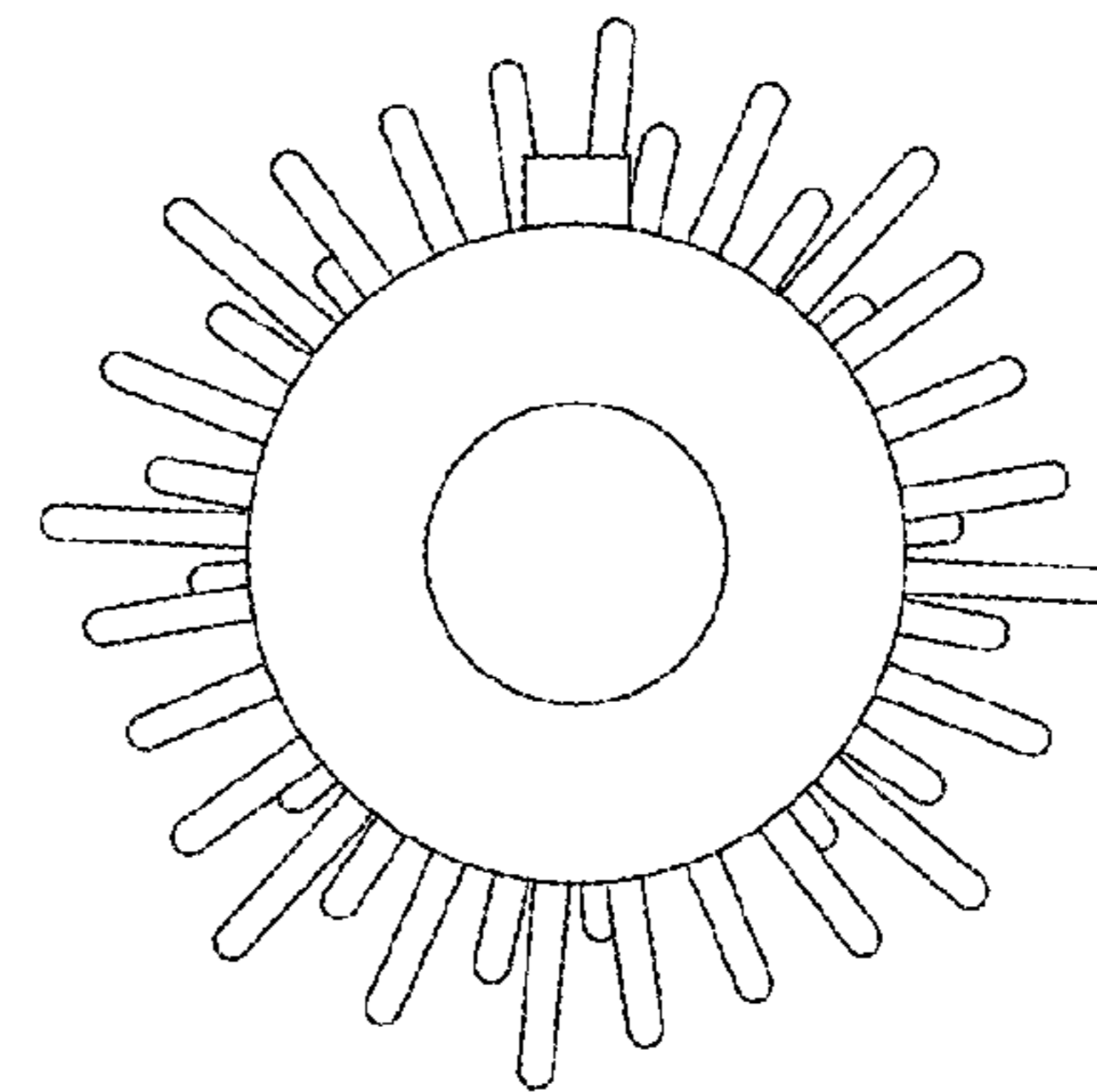


FIG. 2

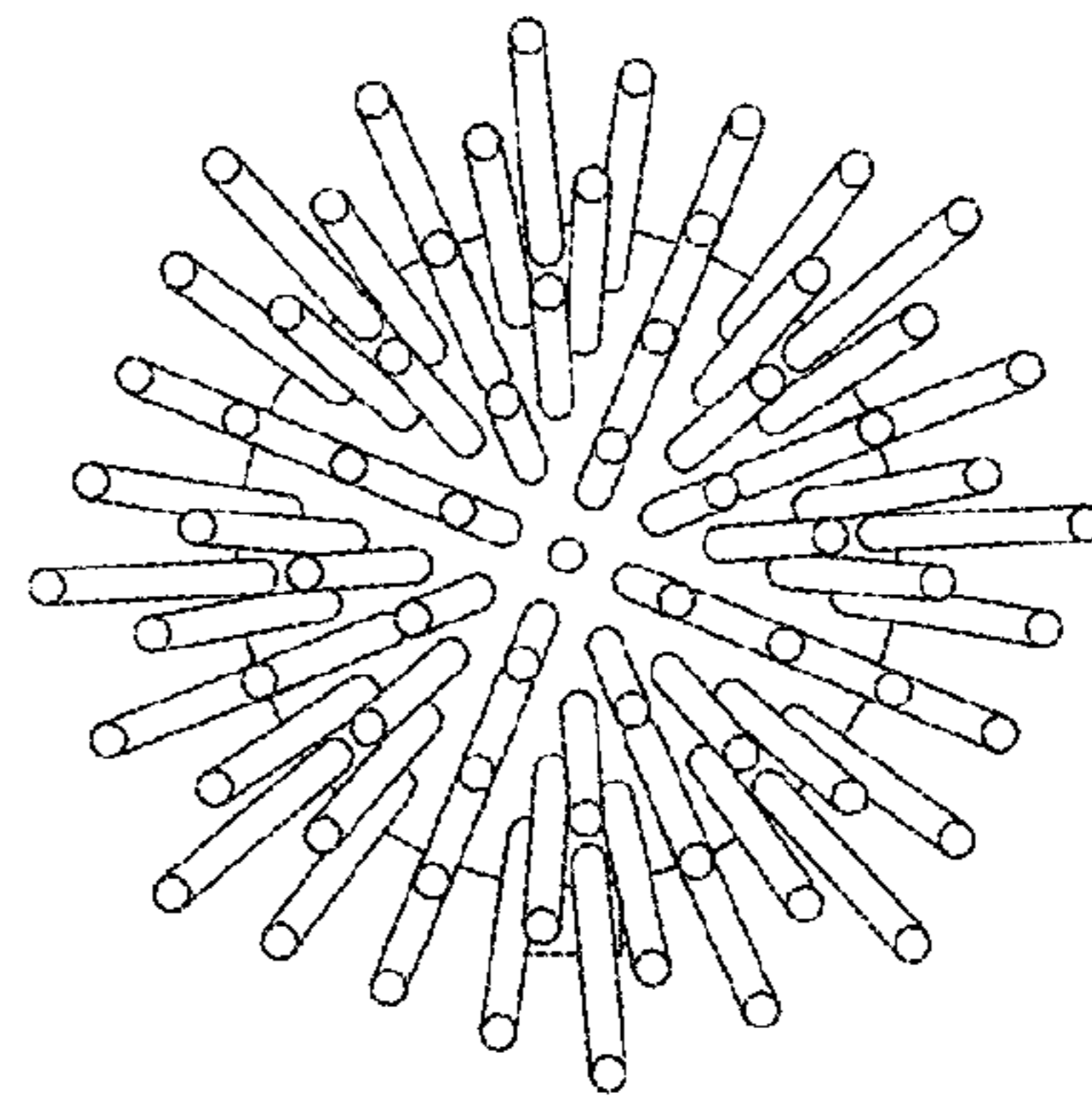


FIG. 3